

THIS DRAWING IS UNPUBLISHED.

RELEASED FOR PUBLICATION

20

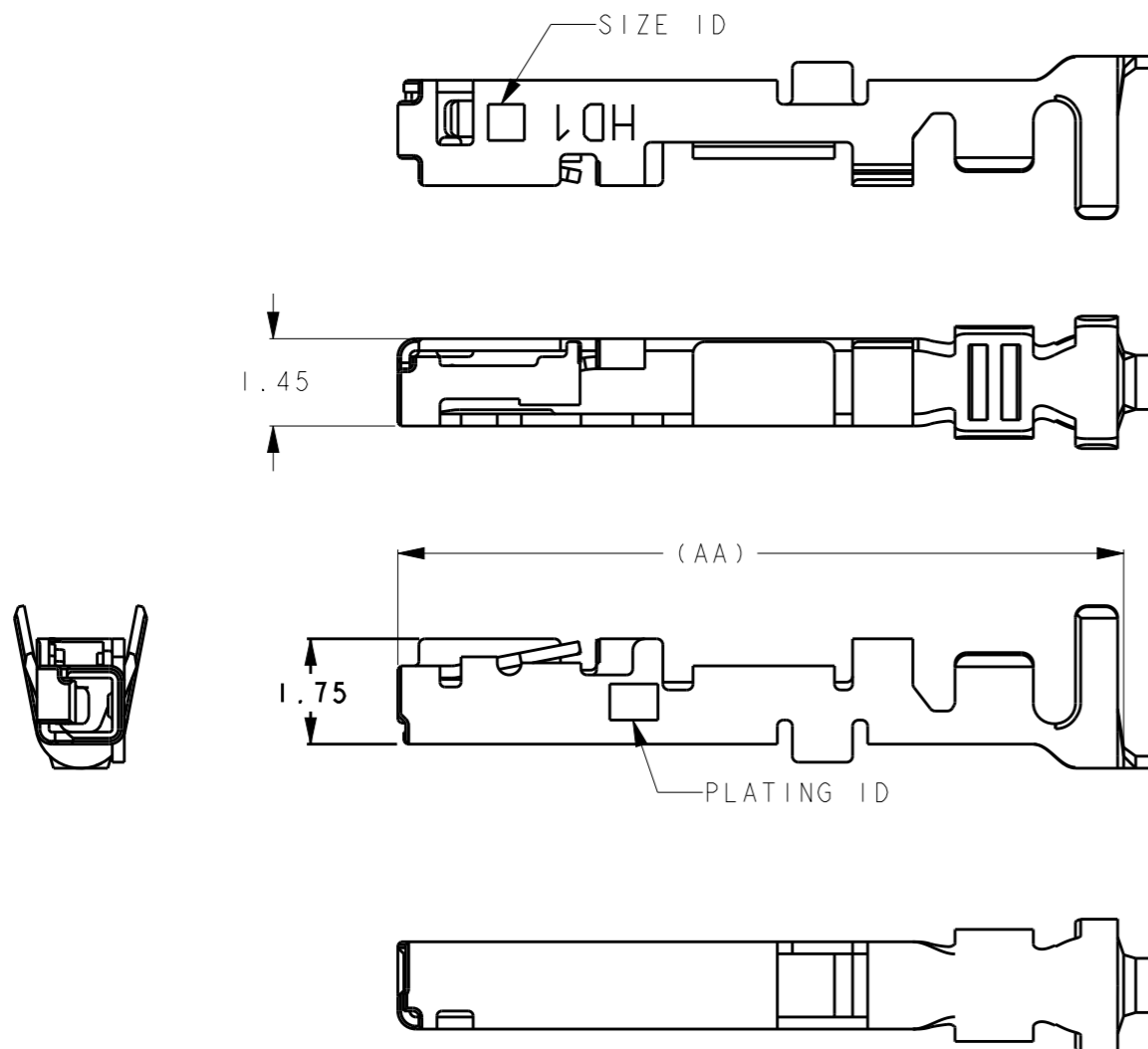
© COPYRIGHT 20 BY -

ALL RIGHTS RESERVED.

REVISIONS

P	LTR	DESCRIPTION	DATE	DWN	APVD
	A	RELEASED	30NOV2017	RI	EI

1. TECHNICAL CHARACTERISTICS:
 CONTACT MATERIAL: Cu ALLOY
 SURFACE PLATING:
 GOLD PLATING: 0.38μmMIN



12.75	0.1g	2L	2	1.4-2.2	AWG22-18, 0.34-0.87SQmm	2L SIZE, GOLD 0.38μm	2316671-4
12.05	0.1g	L	2	1.08-1.9	AWG28-22, 0.08-0.37SQmm	L SIZE, GOLD 0.38μm	2316671-3
12.05	0.1g	M	2	1.08-1.6	AWG28-22, 0.08-0.37SQmm	M SIZE, GOLD 0.38μm	2316671-2
12.05	0.1g	S	2	0.6-1.2	AWG30-28, 0.05-0.1SQmm	S SIZE, GOLD 0.38μm	2316671-1
DIMENSION AA	NET WEIGHT	SIZE ID	PLATING ID	INSUL. RANGE	WIRE RANGE	DESCRIPTION	PART NO

THIS DRAWING IS A CONTROLLED DOCUMENT.

DIMENSIONS:		TOLERANCES UNLESS OTHERWISE SPECIFIED:	
mm		0 PLC	±0.5
		1 PLC	±0.5
		2 PLC	±0.5
		3 PLC	±0.5
		4 PLC	±0.5
		ANGLES	±3°
MATERIAL		FINISH	
-		-	

DWN	28MAR2017	T. SHIMOYASU
CHK	28MAR2017	E. TAKEMASA
APVD	28MAR2017	N. YAMASAKI
PRODUCT SPEC	108-140152	
APPLICATION SPEC	114-78021	
WEIGHT	-	
CUSTOMER DRAWING		



NAME				CONTACT, REC, HDI HDC DYNAMIC			
SIZE	CAGE CODE	DRAWING NO	RESTRICTED TO				
A3	-	©-2316671	-				
SCALE		SHEET		OF		REV	
8:1		1		1		A	