

4

3

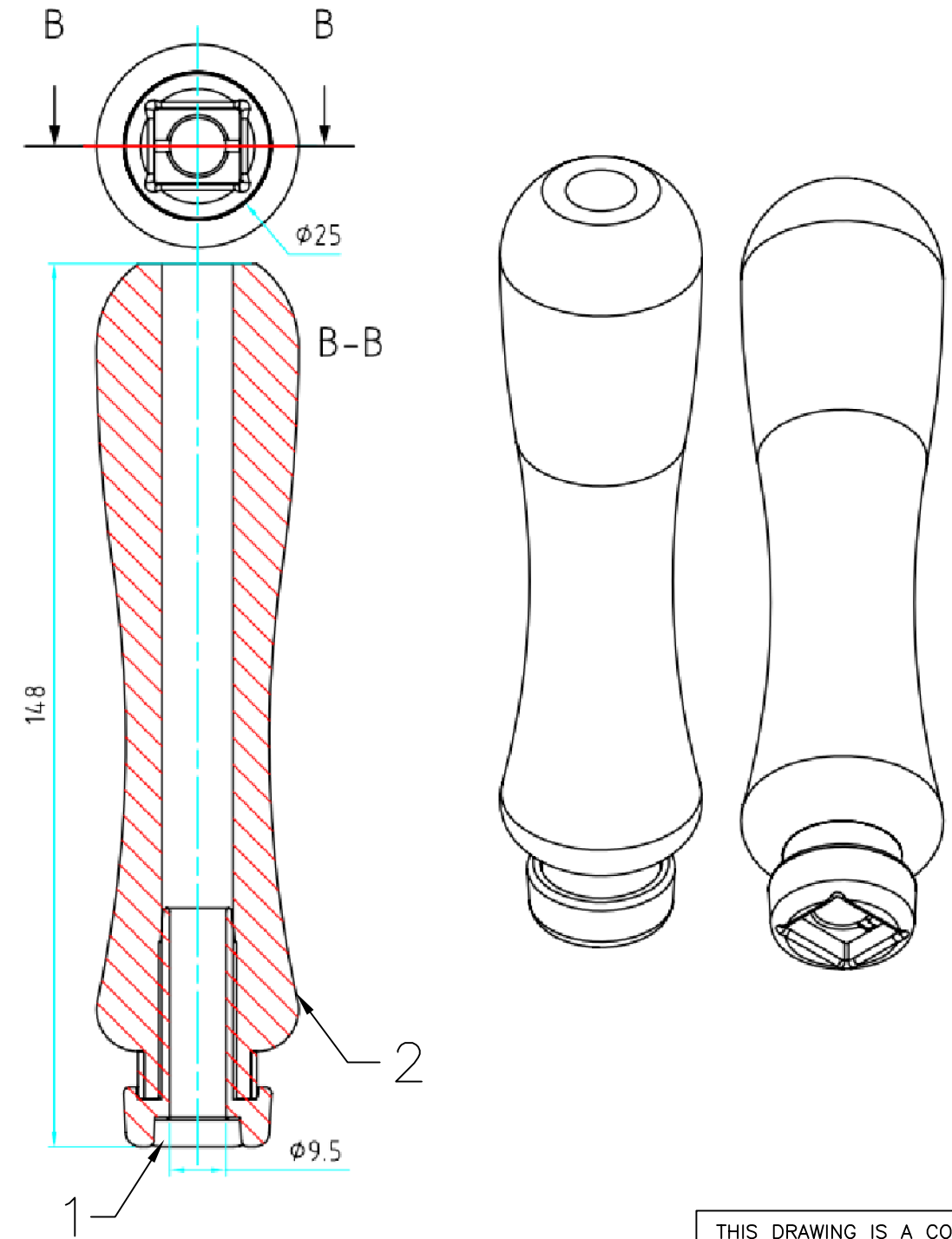
2

1

THIS DRAWING IS UNPUBLISHED. RELEASED FOR PUBLICATION  
 © COPYRIGHT - By - ALL RIGHTS RESERVED.

REVISIONS				
P	LTR	DESCRIPTION	DATE	APVD
A		NEW RELEASE	20DEC2016	KK SE

PROJECT	PRJ-16-000909157
PART NO.	1-2314418-1
DESCRIPTION	CRIMP FLANGE INSERT TOOL ASSEMBLY (SIZE:9-37)
CUSTOMER	GENERAL MARKET



SL. NO.	QTY	PART NO.	DESCRIPTION
2	1	1-2314446-1	HANDLE
1	1	-	SLEEVE FOR SIZE 9-37 PIN

1-2314418-1  
 (SIZE: 9-37)  
 FOR SMALL SIZE FLANGES

THIS DRAWING IS A CONTROLLED DOCUMENT.		DWN	20DEC2016	
		CHK	20DEC2016	
		APVD	20DEC2016	
		PRODUCT SPEC		
DIMENSIONS: mm 		TOLERANCES UNLESS OTHERWISE SPECIFIED: 0 PLC ± - 1 PLC ± - 2 PLC ± - 3 PLC ± - 4 PLC ± - ANGLES ± -		NAME CRIMP FLANGE INSERT TOOL ASSEMBLY (SIZE: 9-37) FOR DC-HOOD
MATERIAL		FINISH		SIZE A3
				CAGE CODE 00779
				DRAWING NO C-2314418
				RESTRICTED TO -
CUSTOMER DRAWING			SCALE	NTS SHEET 1 of 2 REV A

4

3

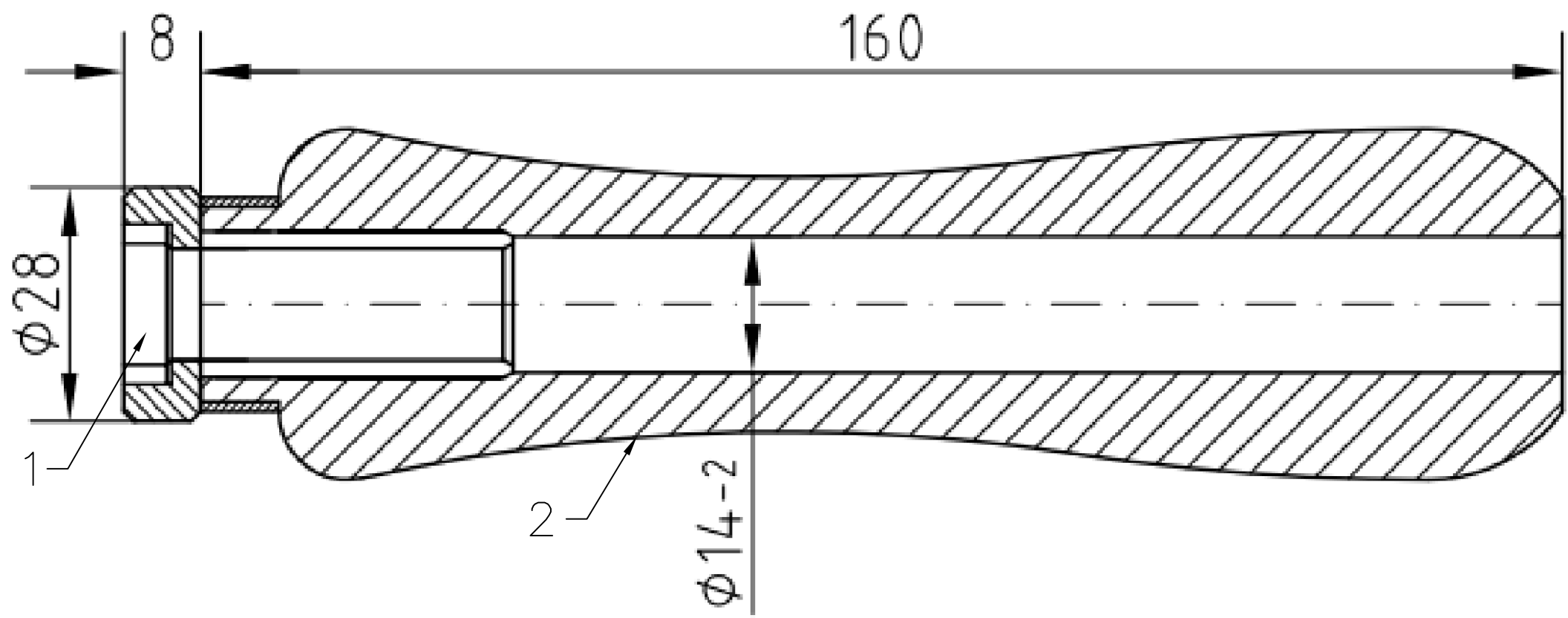
2

1

THIS DRAWING IS UNPUBLISHED.      RELEASED FOR PUBLICATION      - , - .  
 © COPYRIGHT - By -      ALL RIGHTS RESERVED.


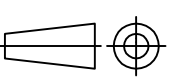
REVISIONS				
P	LTR	DESCRIPTION	DATE	APVD
-		SEE SHEET 1		

PROJECT	PRJ-16-000909157
PART NO.	1-2314418-2
DESCRIPTION	CRIMP FLANGE INSERT TOOL ASSEMBLY (SIZE:50)
CUSTOMER	GENERAL MARKET



1-2314418-2  
 (SIZE: 50)  
 FOR LARGE SIZE FLANGES

2	1	1-2314446-2	HANDLE
1	1	-	SLEEVE FOR SIZE 50 PIN
SL. NO.	QTY	PART NO.	DESCRIPTION

THIS DRAWING IS A CONTROLLED DOCUMENT.		DWN	KIRAN K	20DEC2016	 <b>TE Connectivity</b>
DIMENSIONS: mm		CHK	KIRAN K	20DEC2016	
		APVD	S EGBERT	20DEC2016	
TOLERANCES UNLESS OTHERWISE SPECIFIED:		PRODUCT SPEC		NAME	
MATERIAL		FINISH		APPLICATION SPEC	RESTRICTED TO
-		-		WEIGHT	SIZE
		CUSTOMER DRAWING		A3	CAGE CODE
				00779	DRAWING NO
				2314418	00779
				SCALE	SHEET
				NTS	2 of 2
				REV	A