

THIS DRAWING IS UNPUBLISHED.  
VERTRAULICHE UNVERÖFFENTLICHTE ZEICHNUNG  
© COPYRIGHT 2024 TE Connectivity Germany GmbH

RELEASED FOR PUBLICATION  
FREI FUER VERÖFFENTLICHUNG  
2017  
ALL RIGHTS RESERVED.  
ALLE RECHTE VORBEHALTEN.

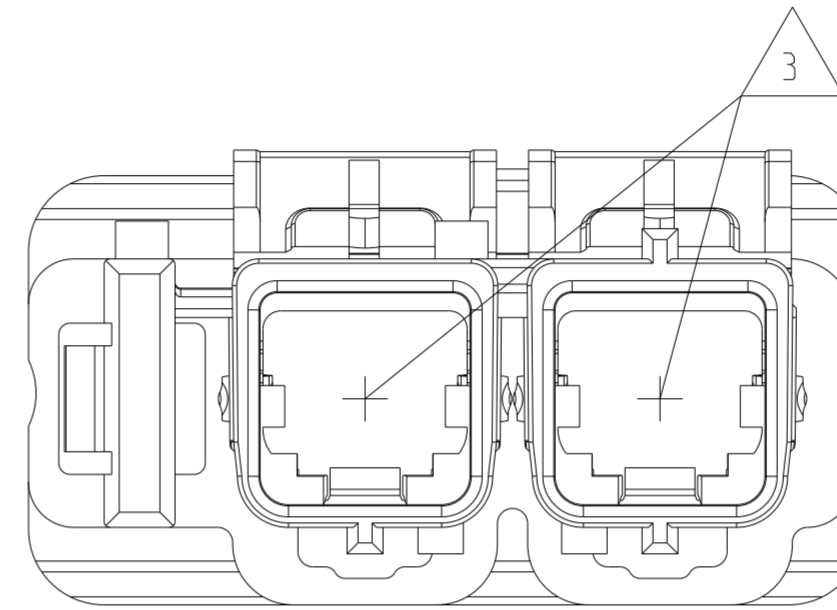
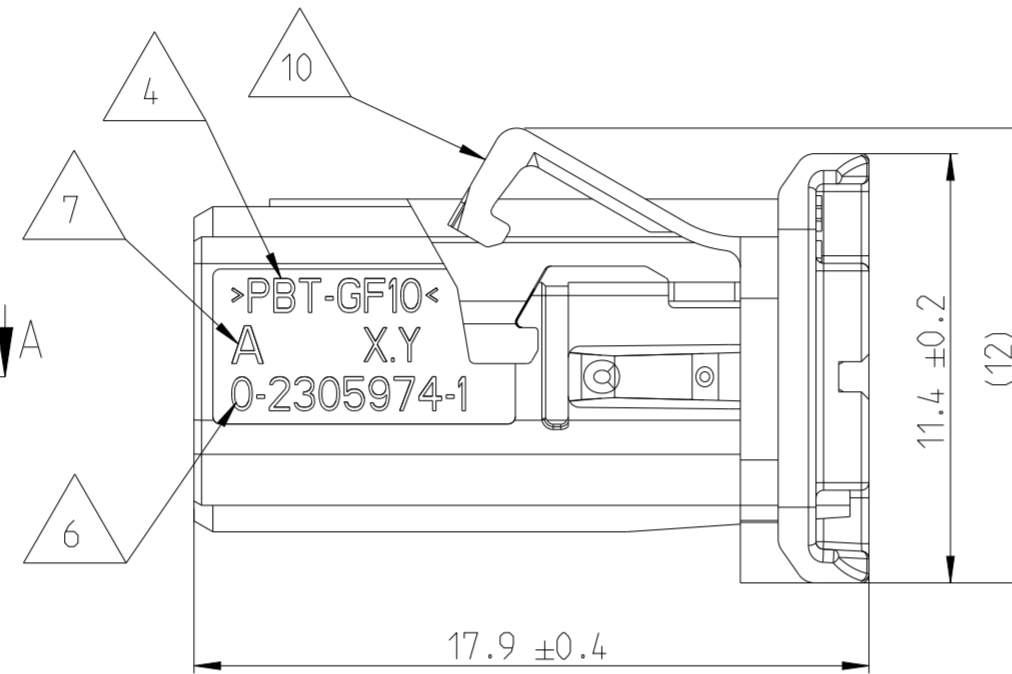
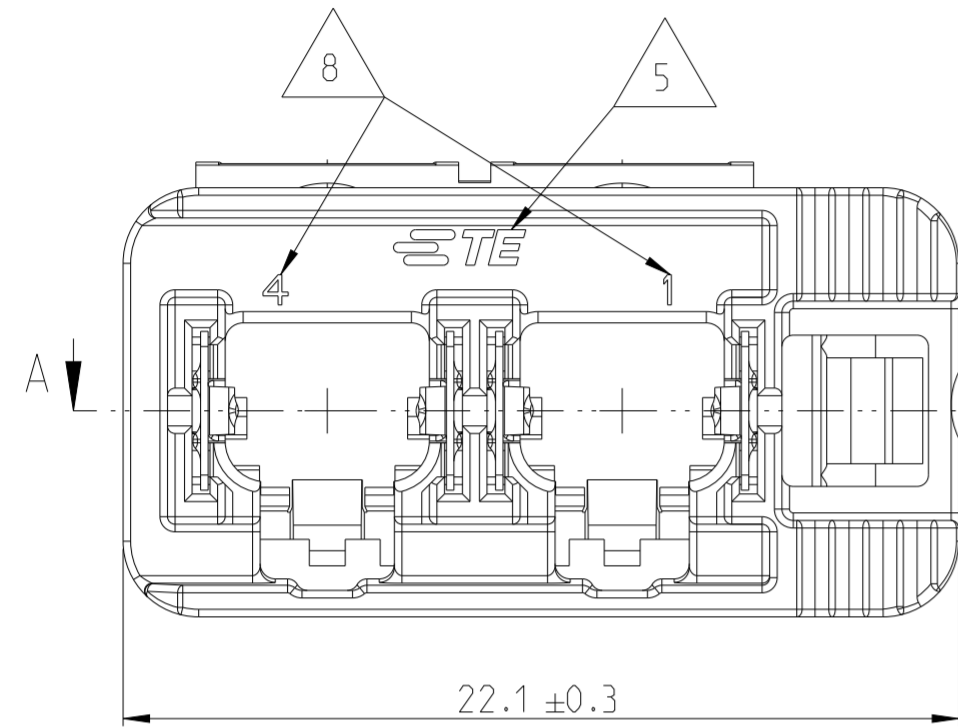
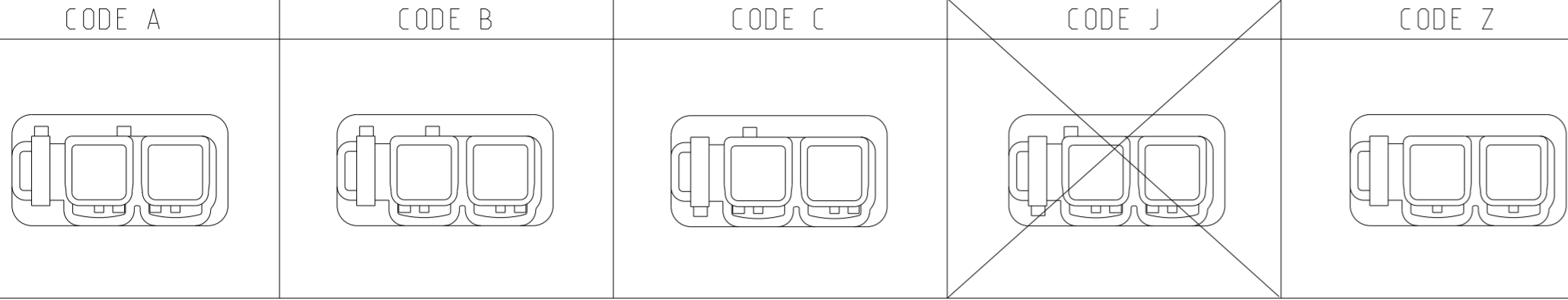
MATED WITH:  
PASSEND ZU:

PROJEKT NR.:

REVISIONS

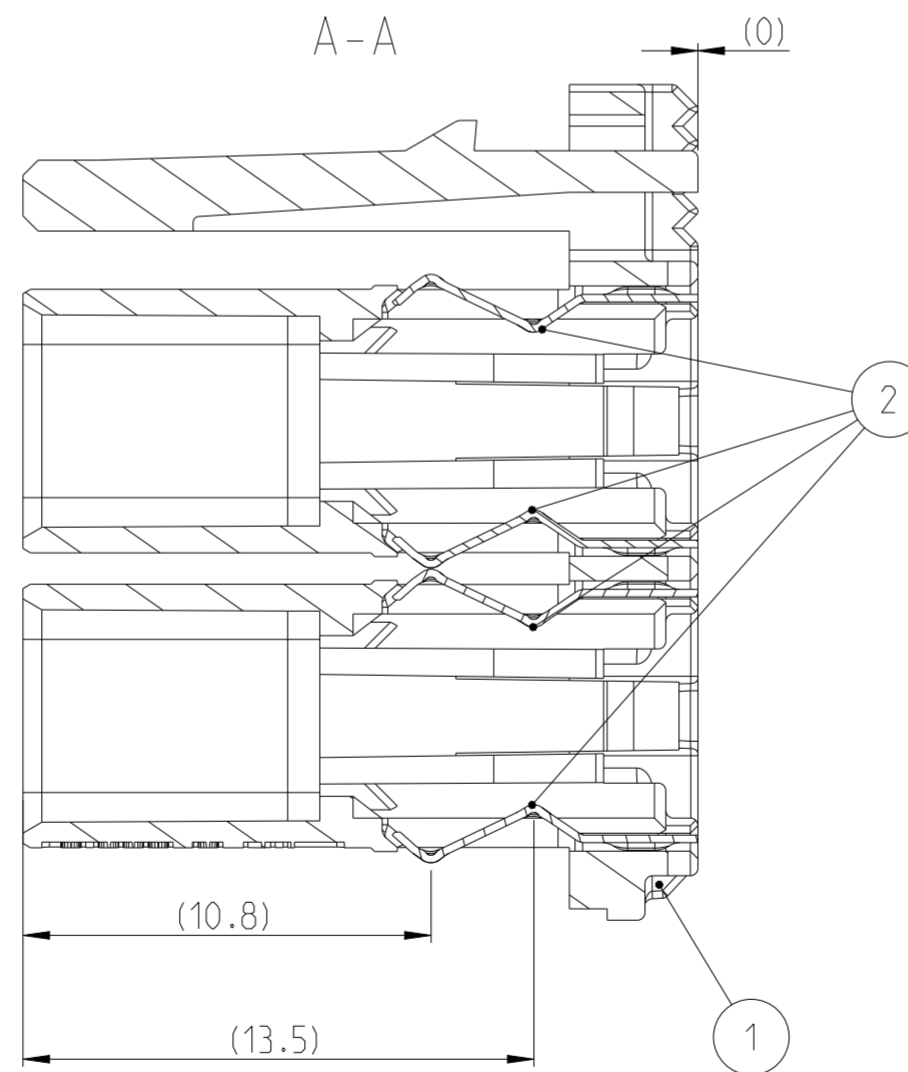
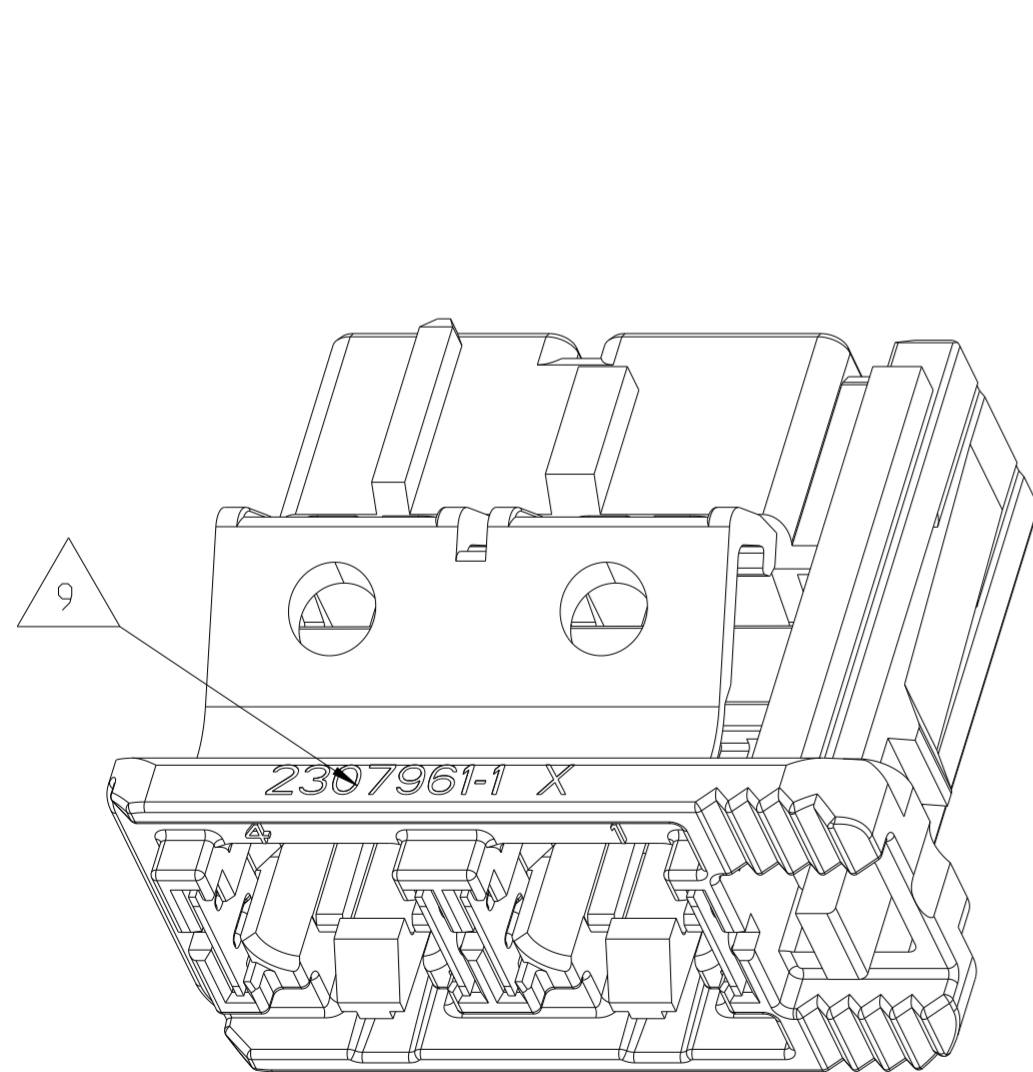
P	LTR	DESCRIPTION BESCHREIBUNG	DATE	DWN	APVD
A2	E-19-003299		08MAR2019	FF	AK
A3	E-21-006299		16JUN2021	RW	AK
A4	PCN-22-128957 (removed optional long Latch)		17FEB2022	RW	AK
A5	PCN-24-211274 (added China Market variants)		12JUN2024	RW	AK

Kodierungen nach TE Schnittstellenzeichnung 208-18012 / CODINGS ACC. TE INTERFACE DRAWING 208-18012



Notizen / NOTES

- 2307961-1 Kodierung A wie dargestellt  
2307961-1 CODING A AS SHOWN
- Passend zu Stiftwanne nach TE-Schnittstellenzeichnung 208-18012  
MATING TO PINHEADER ACC. TE-INTERFACE DRAWING 208-18012
- Kammer fuer MATEnet 2Pos. NanoMQS female Insert module  
TE PN 0-2302450-X  
CAVITY FOR MATEnet 2Pos. NanoMQS FEMALE INSERT MODULE  
TE PN 0-2302450-X
- Materialezeichnung  
MATERIAL MARKING
- TE-Logo  
TE-LOGO
- TE-PN der Komponente "Dual-Port MATEnet Frame"  
TE-PN OF COMPONENT "DUAL-PORT MATEnet FRAME"
- Revisionsstand der Komponente "Dual-Port MATEnet Frame"  
PART REVISION OF COMPONENT "DUAL-PORT MATEnet FRAME"
- Kontaktkammernummer  
CONTACT CAVITY NUMBER
- Baugruppen-PN und Rev., aufgedruckt oder gelasert, siehe Tabelle  
ASSEMBLY-PN and REV., PRINTED OR LASERMARKED, SEE TABLE
- Anlieferzustand: 2. Kontaktsicherung geoeffnet  
DELIVERY CONDITION: RETAINER IN OPEN POSITION
- Verpackung: Siehe Verpackungsanweisung V2307961  
DELIVERY: SEE PACKAGING SPECIFICATION V2307961



A5 Varianten 2-2307961-x, siehe Blatt 2  
VARIANTS 2-2307961-x, SEE SHEET 2

ASSY PN	REV.	CODE	QTY.	DESCRIPTION	MARKET	MATERIAL	COLOR/SURFACE SIMILAR RAL	WEIGHT [g]	POS
2307961-9	A	Z	4	MATEnet STP Contact Spring	GLOBAL	X10CrNi18-8	Sn	1.5	2
			1	Dual-Port MATEnet Frame, Code Z		PBT GF-10	WATER-BLUE 5021	1.5	1
2307961-7	A	J	4	MATEnet STP Contact Spring		X10CrNi18-8	Sn	1.5	2
			1	Dual-Port MATEnet Frame, Code J		PBT GF-10	BEIGE 1001	1.5	1
2307961-3	A	C	4	MATEnet STP Contact Spring		X10CrNi18-8	Sn	1.5	2
			1	Dual-Port MATEnet Frame, Code C		PBT GF-10	BLUE 5012	1.5	1
2307961-2	A	B	4	MATEnet STP Contact Spring		X10CrNi18-8	Sn	1.5	2
			1	Dual-Port MATEnet Frame, Code B		PBT GF-10	WHITE 9010	1.5	1
2307961-1	A	A	4	MATEnet STP Contact Spring		X10CrNi18-8	Sn	1.5	2
			1	Dual-Port MATEnet Frame, Code A		PBT GF-10	BLACK 9011	1.5	1

THIS DRAWING IS A CONTROLLED DOCUMENT.

DWN	J. Kießwetter	18OCT2016
CHK	R. Wuerker	21OCT2016
APVD	A. Kettler	21OCT2016
PRODUCT SPEC	108-94568	
APPLICATION SPEC	114-94431	
WEIGHT	see table	
CUSTOMER DRAWING		



NAME Dual-Port MATEnet STP Frame Assy

SIZE	A2	CAGE CODE	00779	DRAWING NO. ZEICHNUNGS-NR.	C-2307961	RESTRICTED TO NUR FUER
SCALE MASSSTAB	5:1	SHEET BLATT	1	OF VON	2	REV A5

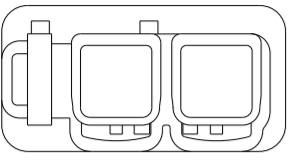
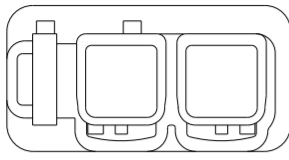
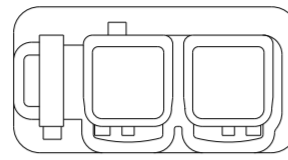
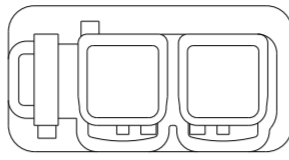
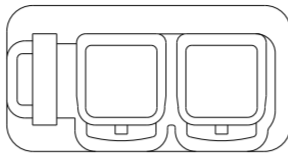
THIS DRAWING IS UNPUBLISHED.  
 VERTRÄULICHE UNVERÖFFENTLICHTE ZEICHNUNG  
 © COPYRIGHT 2024 TE Connectivity Germany GmbH

RELEASED FOR PUBLICATION  
 FREI FUER VERÖFFENTLICHUNG  
 2017  
 ALL RIGHTS RESERVED.  
 ALLE RECHTE VORBEHALTEN.

MATED WITH:  
 PASSEND ZU:

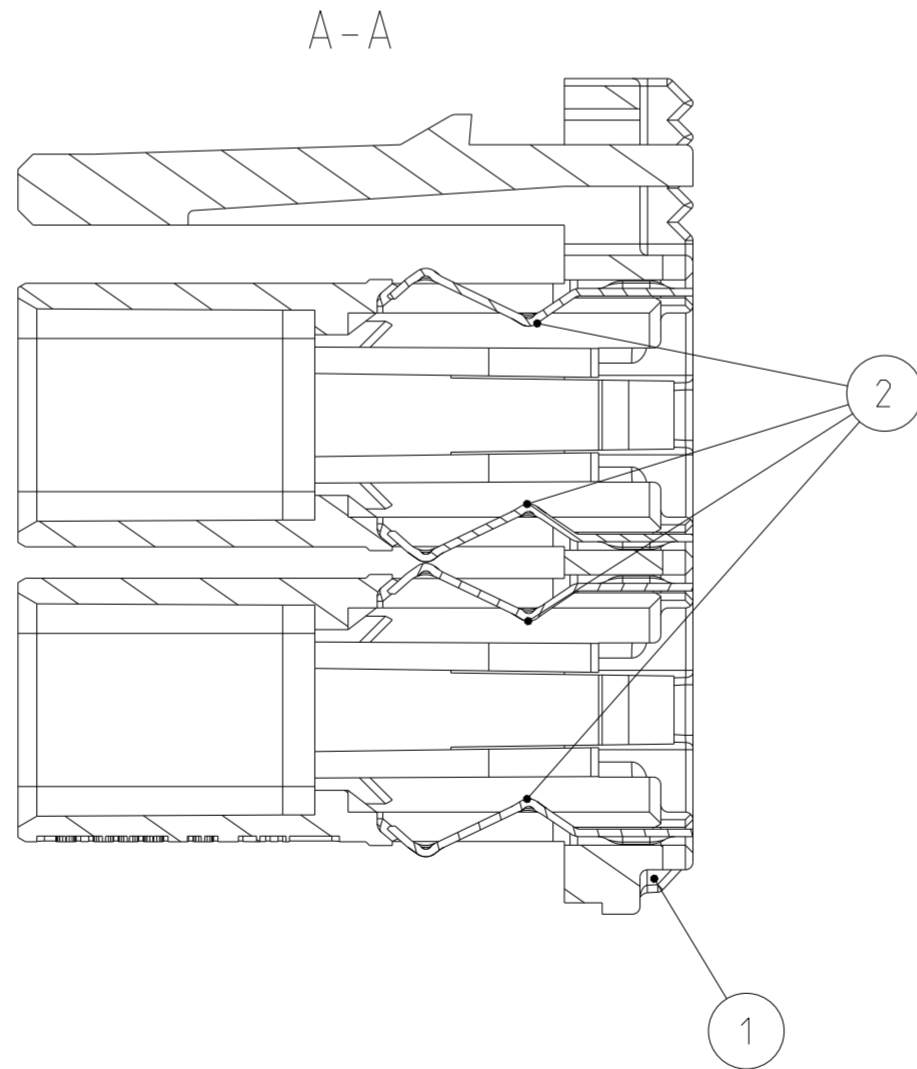
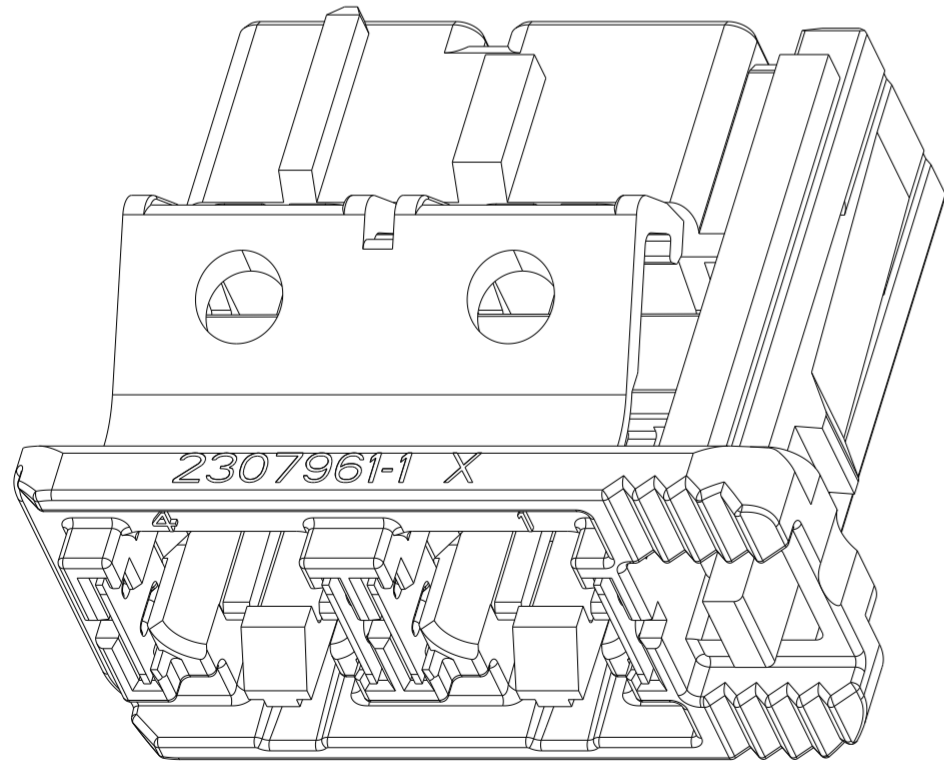
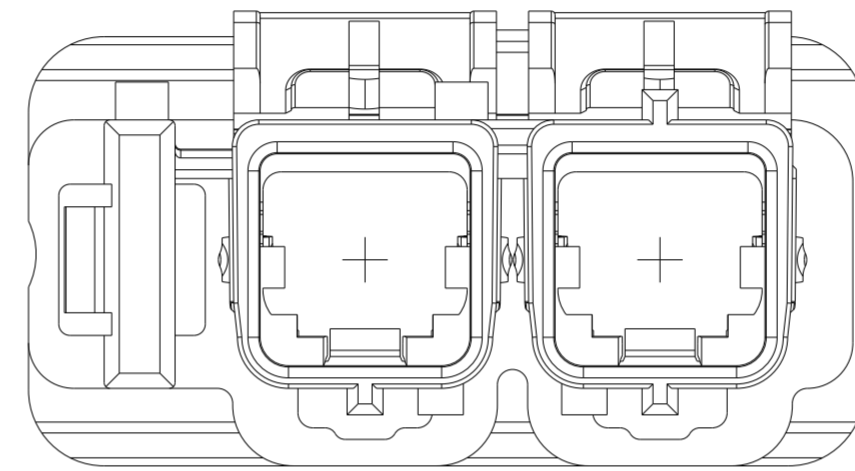
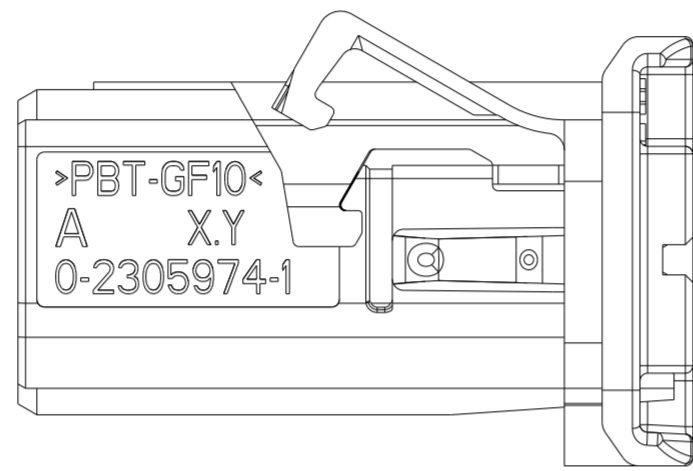
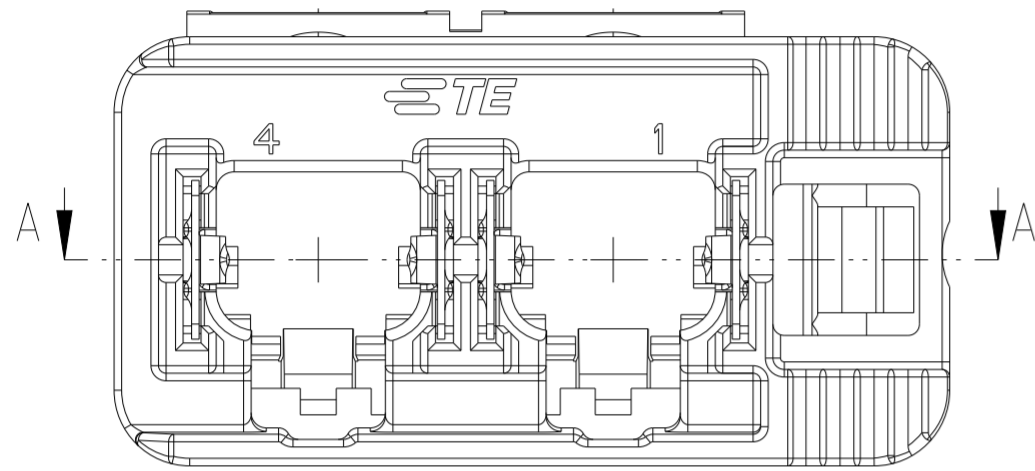
PROJEKT NR.:			REVISIONS ÄNDERUNGEN			
P	LTR		DESCRIPTION BESCHREIBUNG	DATE	DWN	APVD
-	-		SEE SHEET 1	-	-	-

Kodierungen nach TE Schnittstellenzeichnung 208-18012 / CODINGS ACC. TE INTERFACE DRAWING 208-18012

CODE A	CODE B	CODE C	CODE J	CODE Z
				

Notizen / NOTES

12 Fehlenden Maße und Notizen, siehe Blatt 1  
 MISSING NOTES AND DOMENSIONS, SEE SHEET 1



ASSY PN	REV.	CODE	QTY.	DESCRIPTION	MARKET	MATERIAL	COLOR/SURFACE SIMILAR RAL	WEIGHT [g]	POS
2-2307961-9	A	Z	4	MATenet STP Contact Spring	CHINA	X10CrNi18-8	Sn	1.5	2
			1	Dual-Port MATenet Frame, Code Z		PBT GF-10	WATER-BLUE 5021	1.5	1
2-2307961-7	A	J	4	MATenet STP Contact Spring		X10CrNi18-8	Sn	1.5	2
			1	Dual-Port MATenet Frame, Code J		PBT GF-10	BEIGE 1001	1.5	1
2-2307961-3	A	C	4	MATenet STP Contact Spring		X10CrNi18-8	Sn	1.5	2
			1	Dual-Port MATenet Frame, Code C		PBT GF-10	BLUE 5012	1.5	1
2-2307961-2	A	B	4	MATenet STP Contact Spring		X10CrNi18-8	Sn	1.5	2
			1	Dual-Port MATenet Frame, Code B		PBT GF-10	WHITE 9010	1.5	1
2-2307961-1	A	A	4	MATenet STP Contact Spring		X10CrNi18-8	Sn	1.5	2
			1	Dual-Port MATenet Frame, Code A		PBT GF-10	BLACK 9011	1.5	1

THIS DRAWING IS A CONTROLLED DOCUMENT.

DWN J. Kießwetter 18OCT2016  
 CHK R. Wuerker 21OCT2016  
 APVD A. Kettler 21OCT2016

DIMENSIONS: MASSEINHEITEN: (MM)

TOLERANCES UNLESS OTHERWISE SPECIFIED: ALLGEMEINTOLERANZEN

0 PLC ±0.2  
 1 PLC ±0.1  
 2 PLC ±0.1  
 3 PLC ±  
 4 PLC ±

ANGLES/WINKEL ±°

FINISH/OBERFLÄCHE/FARBE

MATERIAL see table

WEIGHT GEWICHT see table

CUSTOMER DRAWING

NAME Dual-Port MATenet STP Frame Assy

SIZE A2 CAGE CODE 00779 DRAWING NO. ZEICHNUNGS-NR. C-2307961

RESTRICTED TO NUR FUER

SCALE MASSSTAB 5:1 SHEET BLATT 2 OF VON 2 REV A5