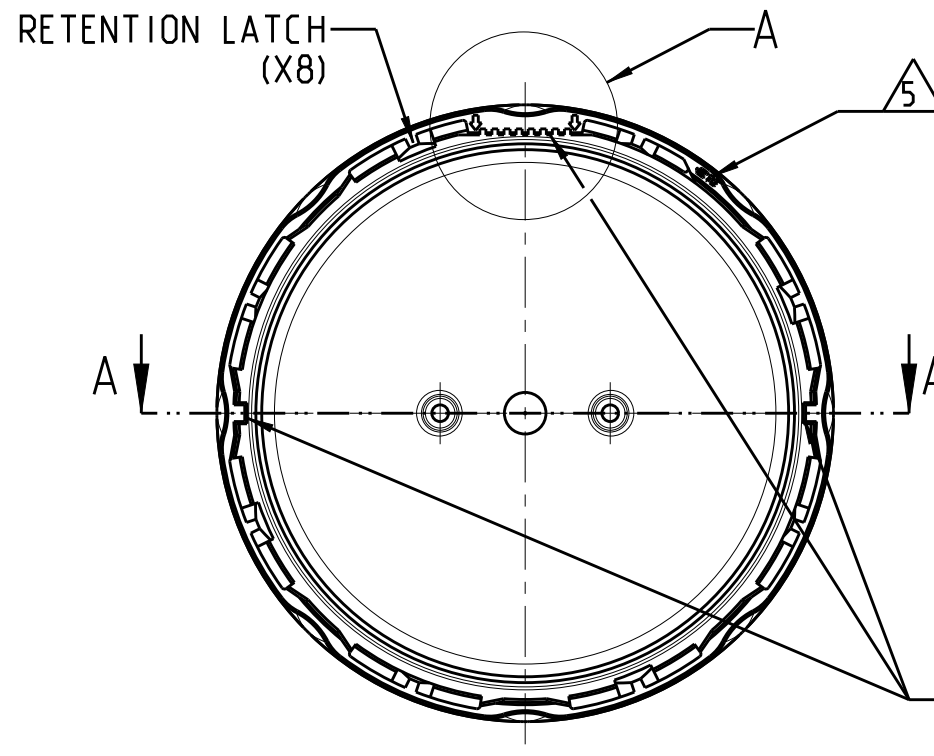
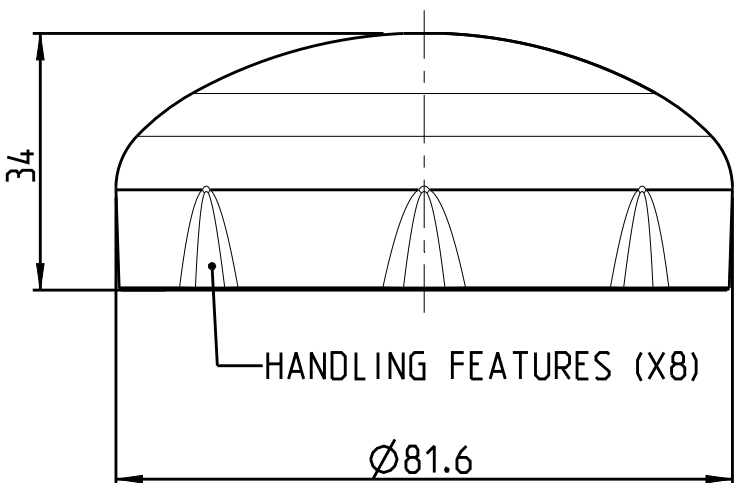


THIS DRAWING IS UNPUBLISHED. RELEASED FOR PUBLICATION 2017
 © COPYRIGHT 2017 BY TE CONNECTIVITY ALL RIGHTS RESERVED.

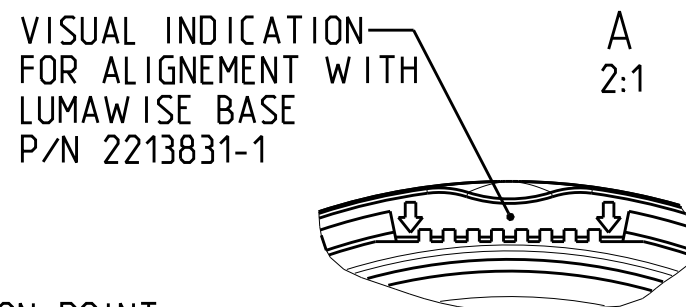
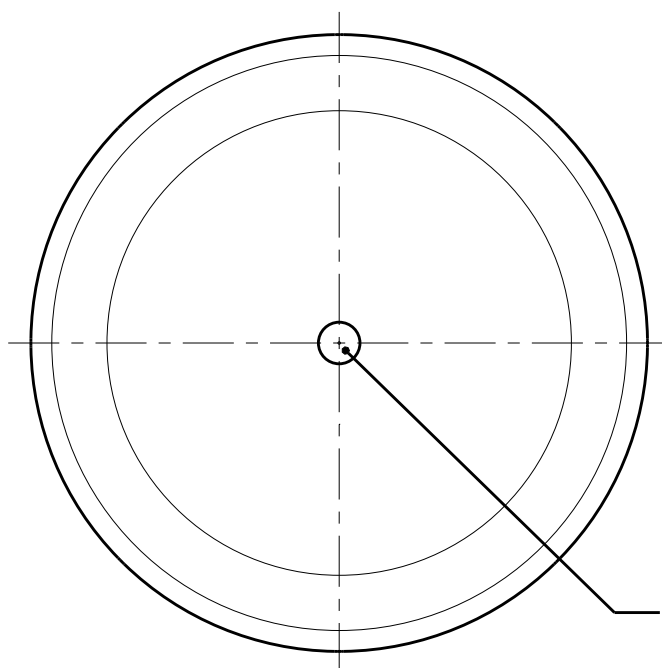
REVISIONS

P	LTR	DESCRIPTION	DATE	DWN	APVD
	11	ADDED NOTE 6	07DEC2017	CD	MM



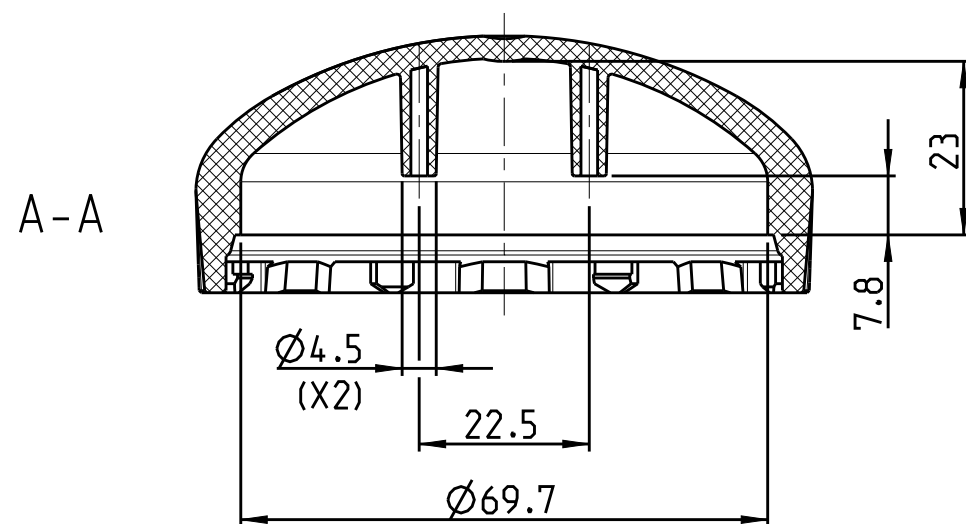
NOTES:

- 1 COLOUR: TRANSPARENT
- 2 COLOUR: SMOKE GREY
- 3 VISUAL INDICATION FOR QUADRANTS
- 4) THIS IS A PRELIMINARY DRAWING DIMENSIONS AND TOLERANCES MAY CHANGE
- 5 TE LOGO
- 6. THIS PRODUCT HAS NOT COMPLETED VALIDATION TESTING



- PRELIMINARY -

MARKINGS	COLOUR	DESCRIPTION	PART NO.
3	2	80mm DOME FOR LUMAWISE ENDURANCE S	2306987-4
3	1	80mm DOME FOR LUMAWISE ENDURANCE S	2306987-3
-	2	80mm DOME FOR LUMAWISE ENDURANCE S	2306987-2
-	1	80mm DOME FOR LUMAWISE ENDURANCE S	2306987-1



THIS DRAWING IS A CONTROLLED DOCUMENT.

DIMENSIONS:	TOLERANCES UNLESS OTHERWISE SPECIFIED:
mm	
0 PLC	±0.3
1 PLC	±0.3
2 PLC	±0.2
3 PLC	±
4 PLC	±
ANGLES	±3°
FINISH	-
MATERIAL	POLYCARBONATE

DWN	E. MOJSAK	21SEP2016
CHK	M. ZUCCA	21SEP2016
APVD	M. ZUCCA	21SEP2016
PRODUCT SPEC	-	
APPLICATION SPEC	-	
WEIGHT	~47.5g	
CUSTOMER DRAWING		

TE TE Connectivity

NAME: 80mm DOME LUMAWISE ENDURANCE S

SIZE	CAGE CODE	DRAWING NO	RESTRICTED TO
A3	-	C-2306987	-

SCALE 1:1 SHEET 1 OF 2 REV 11

THIS DRAWING IS UNPUBLISHED.

RELEASED FOR PUBLICATION

2017

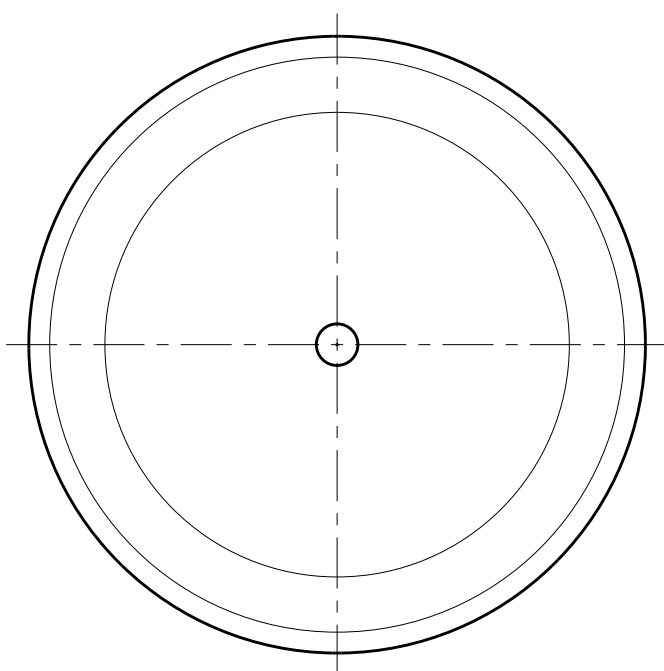
© COPYRIGHT 2017 BY TE CONNECTIVITY

ALL RIGHTS RESERVED.

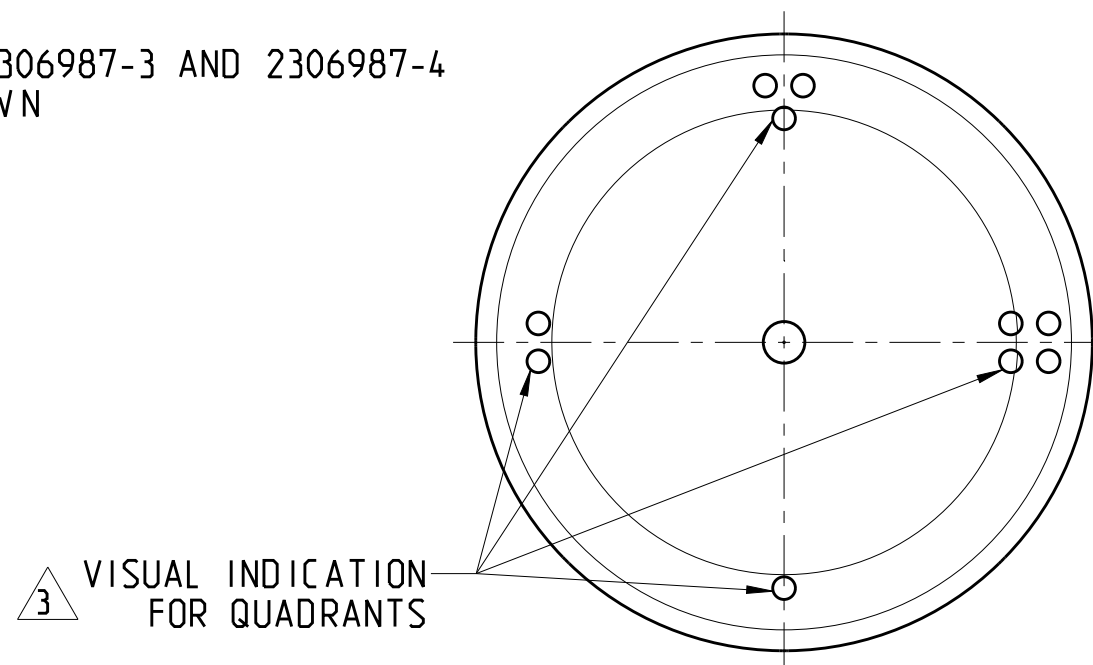
REVISIONS

P	LTR	DESCRIPTION	DATE	DWN	APVD
-		SEE SHEET 1	-	-	-

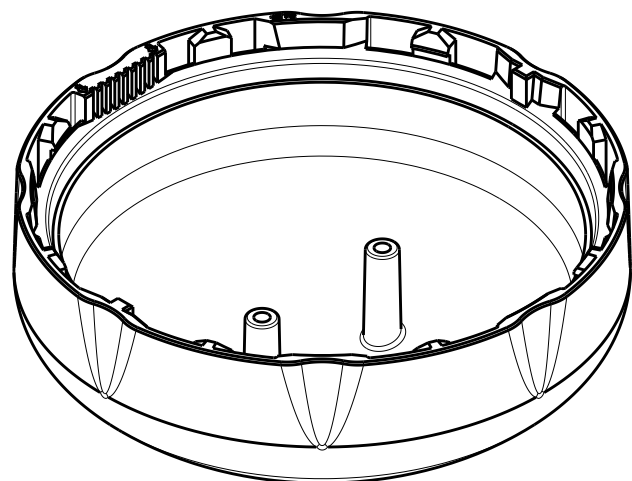
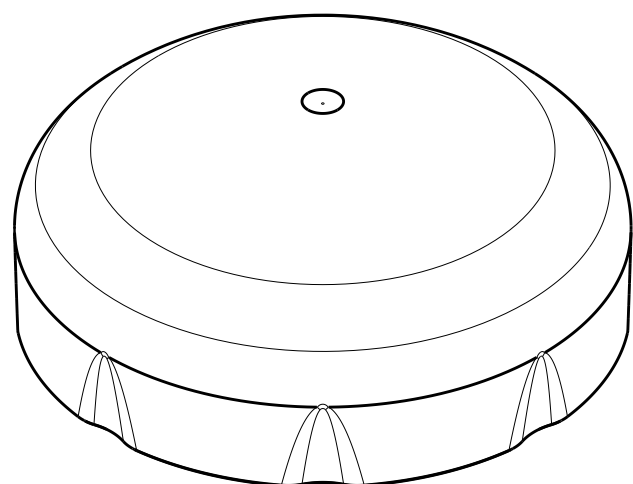
P/N's 2306987-1 AND 2306987-2 AS SHOWN



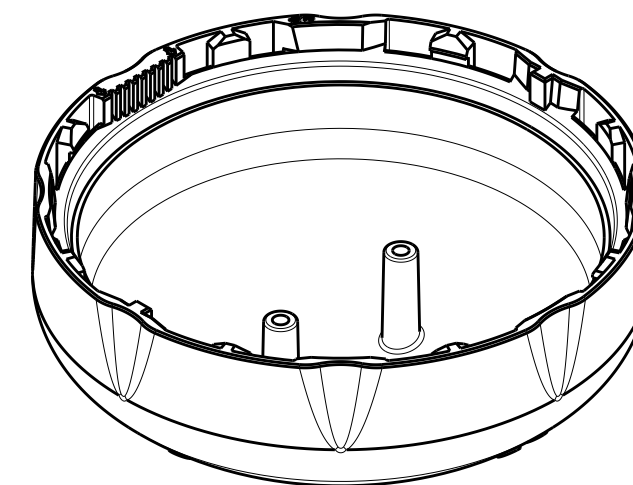
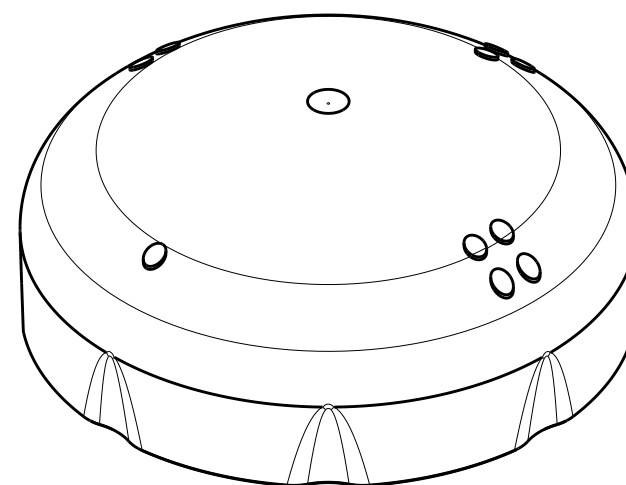
P/N's 2306987-3 AND 2306987-4 AS SHOWN



3D VIEWS, FOR REFERENCE ONLY



3D VIEWS, FOR REFERENCE ONLY



THIS DRAWING IS A CONTROLLED DOCUMENT.

DWN E. MOJSAK 21SEP2016

CHK M. ZUCCA 21SEP2016

APVD M. ZUCCA 21SEP2016

PRODUCT SPEC

APPLICATION SPEC

WEIGHT ~47.5g

CUSTOMER DRAWING



NAME 80mm DOME LUMAWISE ENDURANCE S

SIZE CAGE CODE DRAWING NO RESTRICTED TO

A3 - C-2306987

SCALE 1:1 SHEET 2 OF 2 REV 11

DIMENSIONS:

mm



TOLERANCES UNLESS OTHERWISE SPECIFIED:

0 PLC	±0.3
1 PLC	±0.3
2 PLC	±0.2
3 PLC	±
4 PLC	±
ANGLES	±3°

MATERIAL POLYCARBONATE

FINISH