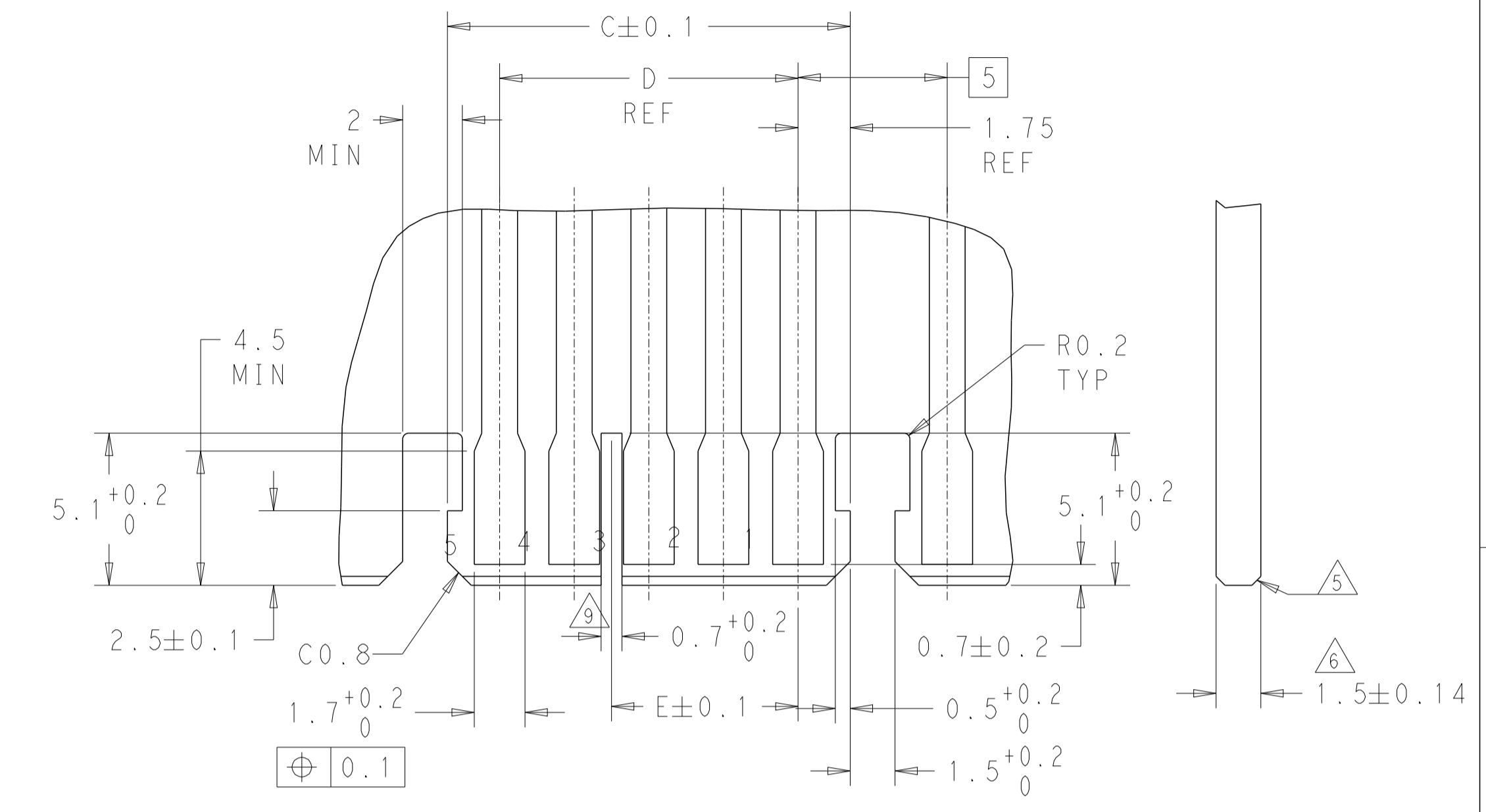
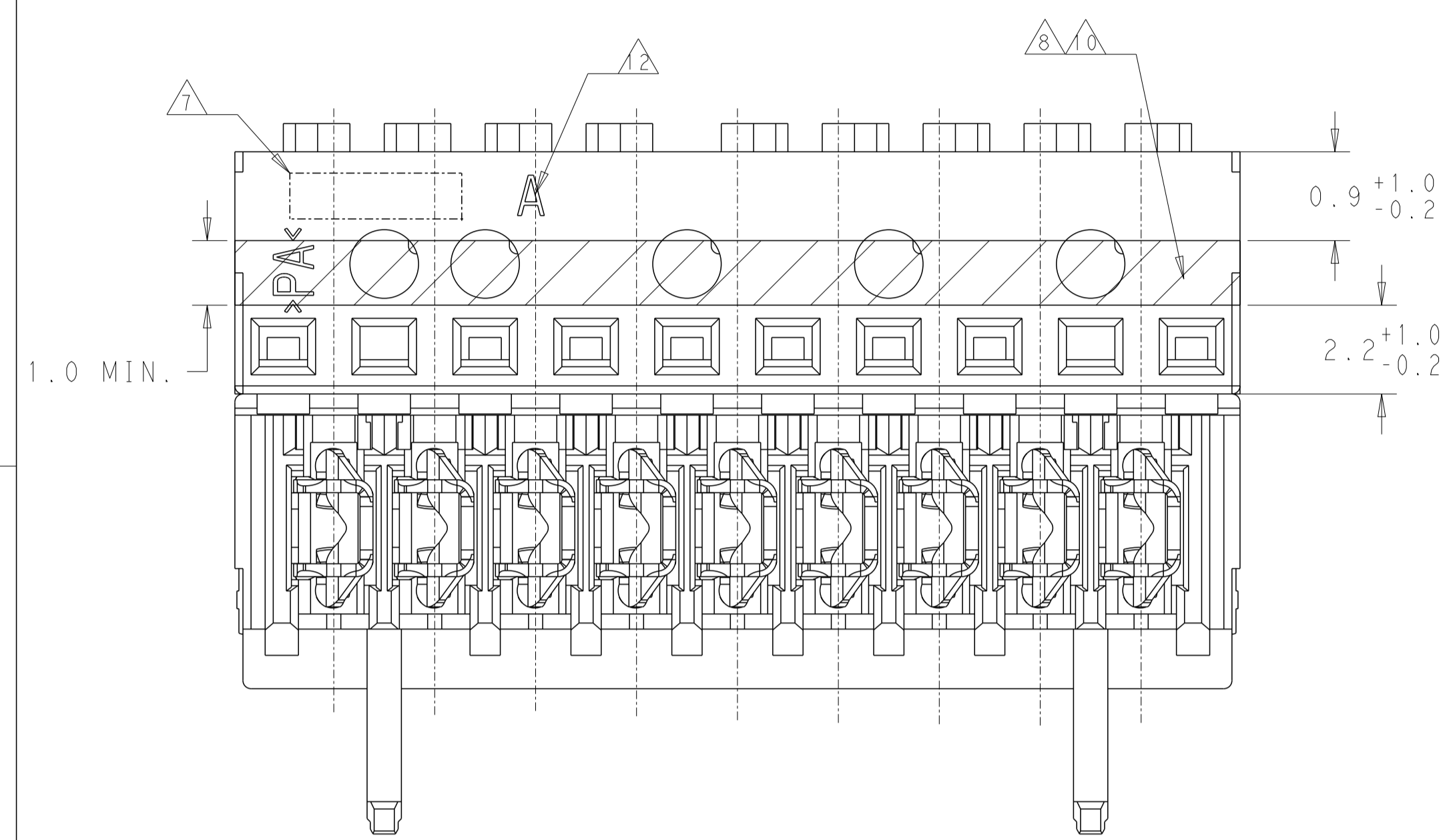
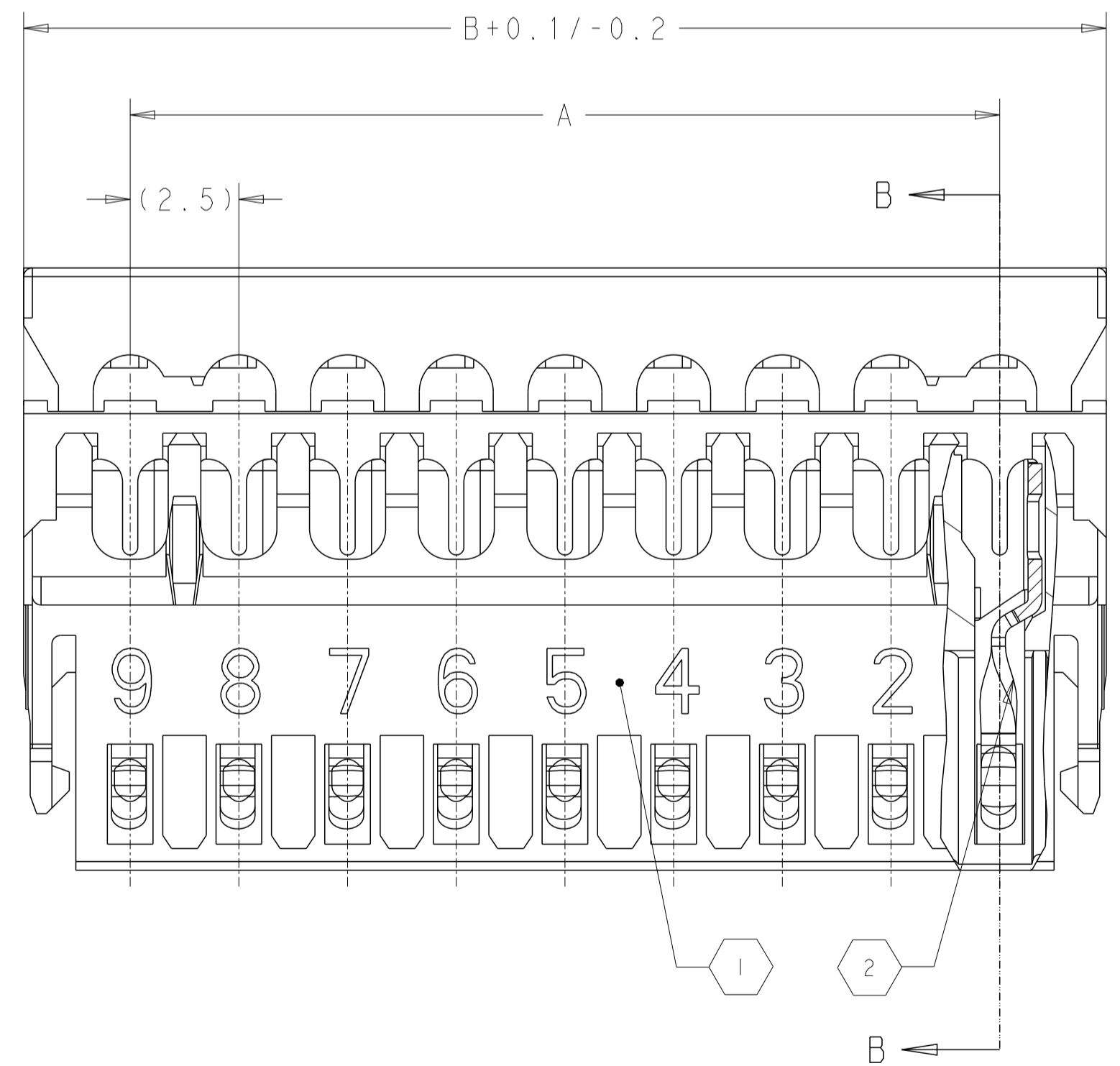


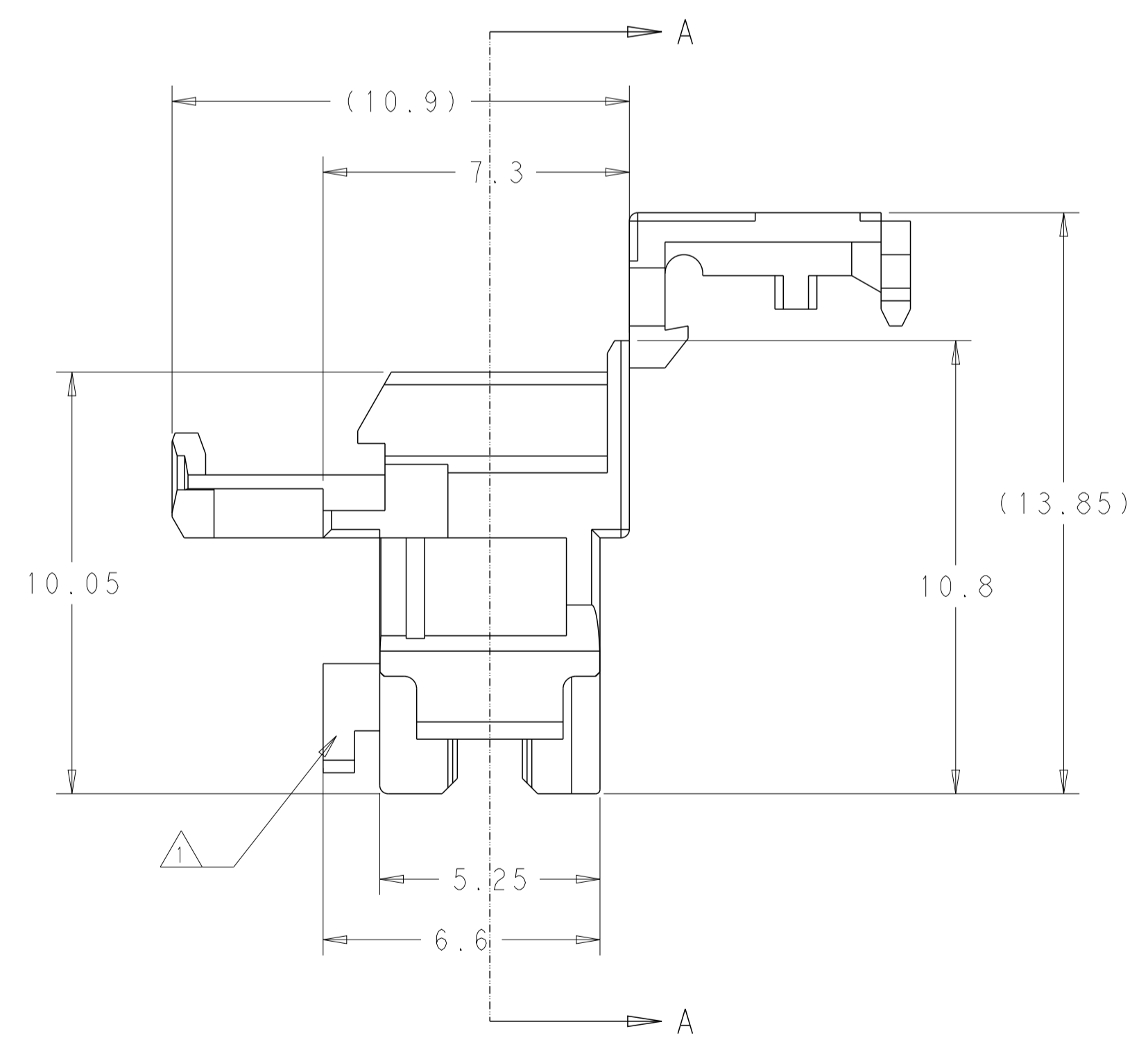
REVISIONS				
P	LTA	DESCRIPTION	DATE	APVD
B25	ECR-24-197520		22JAN2024	SM FL
B26	ECR-24-198569		31JAN2024	SM FL
B27	ECR-24-199323		05FEB2024	SP FL
B28	ECR-24-220161		10SEP2024	TL FL



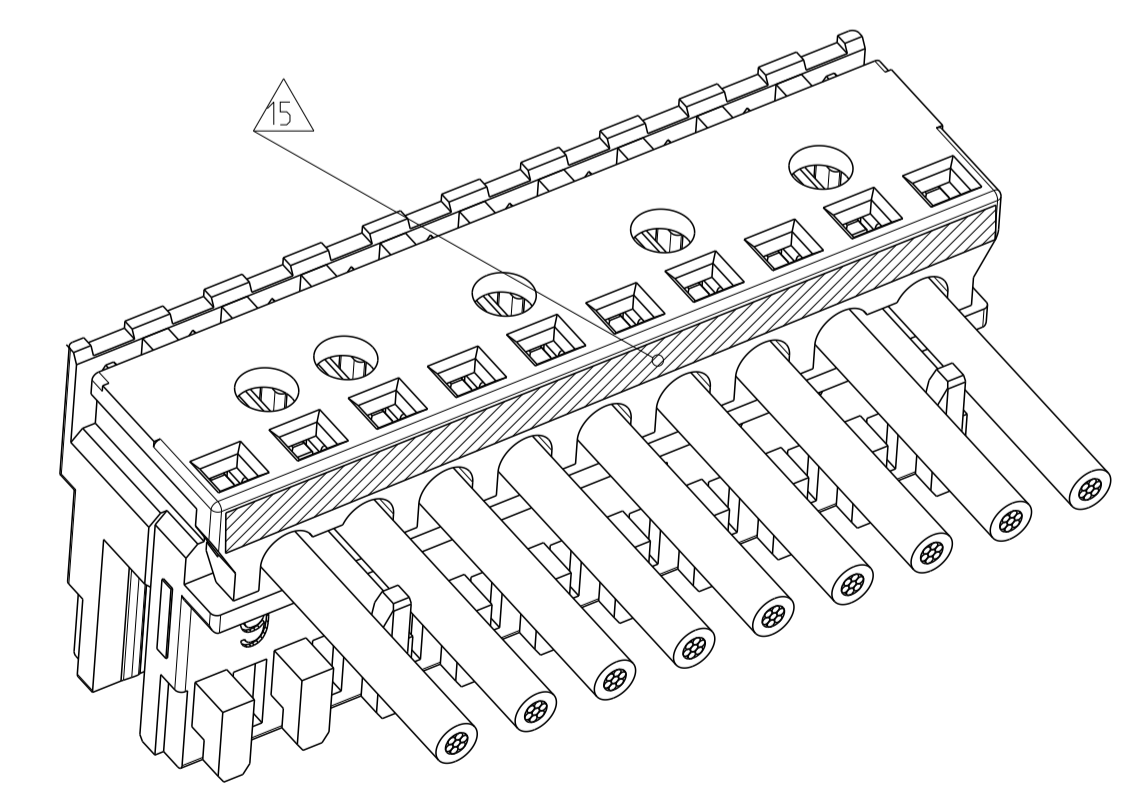
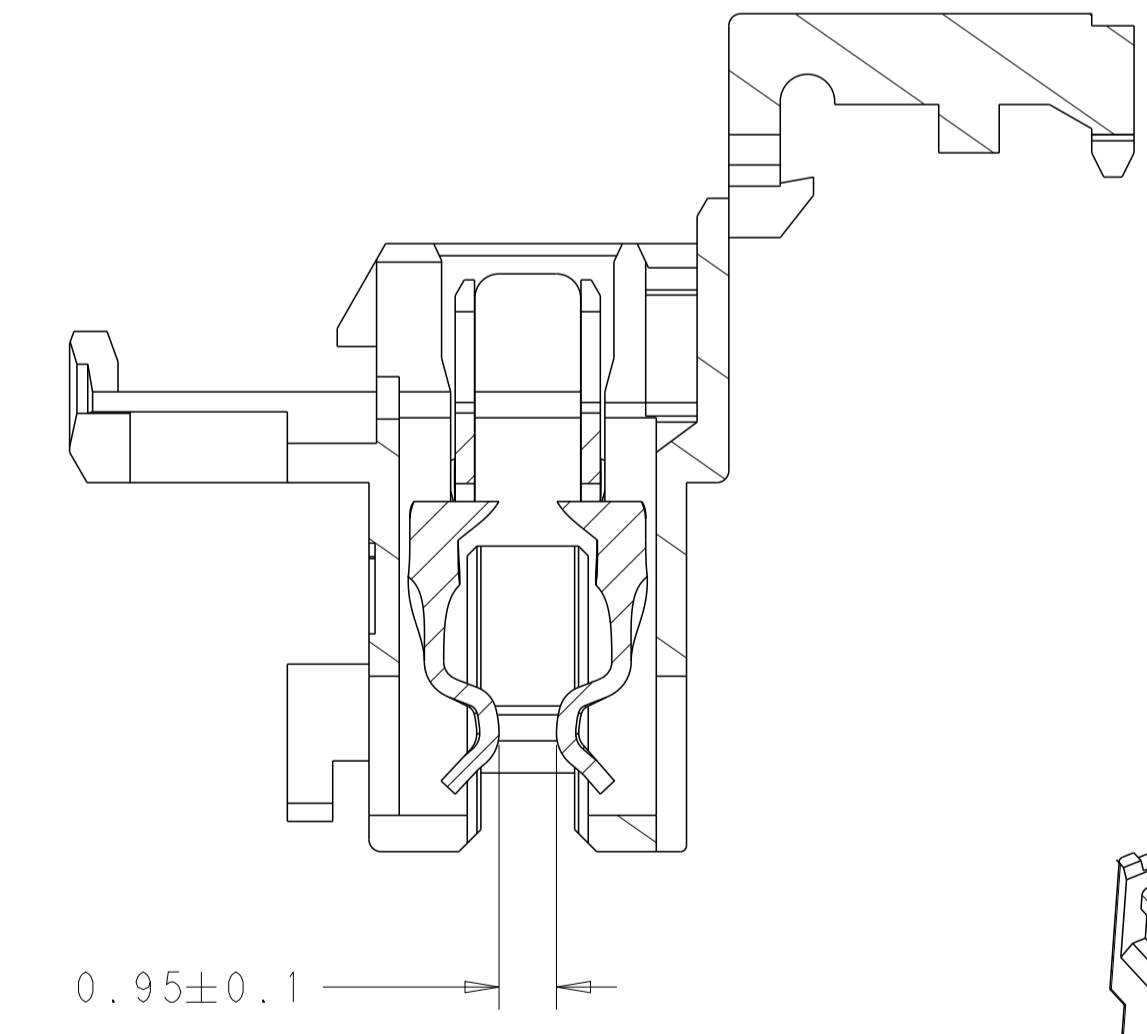
PCB LAYOUT - SOLDERING SIDE



SECTION A-A



SECTION B-B



- 1 STRIPE IN YELLOW COLOR WHERE SHOWN PRESENT ON THE PARTS PRODUCED IN TE COLLENO ONLY
- 2 PNs WITHOUT THE INTERNAL WALL NEED ASSISTANT GUIDE DURING THE APPLICATION SUCH AS RAST TAB HEADER
- 3 PRELIMINARY PART NOT RELEASED FOR PRODUCTION
- 4 CAVITY NO.
- 5 KEYING, BETWEEN POSITION
- 6 COLOR MARKING IN THIS AREA.
- 7 SLOT FOR KEYING BETWEEN POSITION
- 8 COLOR STRIP ON COVER OF HOUSING. NOT THE COLOR OF HOUSING
- 9 TE LOGO
- 10 INCLUSIVE COPPER LOADING
- 11 PCB PREFERABLY CHAMFERED
- 12 WIRE RANGE: 0.22-0.35mm<sup>2</sup> SEE APPLICATION SPEC. 114-18467-1
- 13 IEC60695-2-11 / IEC60335-1 GLOW WIRE TEST 750 °C WITHOUT FLAME
- 14 MATING PART: PCB (WITH FRAMES ACC. RAST 2.5 E.G. PN 964 575/576) TABHEADER PN 1971 817/921
- 15 KEYING RIBS; CUTTING WITH TERMINATION MACHINE POSSIBLE

2	SEE TABLE	CONTACT	CuSn
1		HOUSING	PA 3
SL NO	PN	DESCRIPTION	MATERIAL

THIS DRAWING IS A CONTROLLED DOCUMENT. DWN Winter Wang 10-Sep-24  
 CHK Daniel Zhong 15-Mar-17  
 APVD Riccardo Robore 15-Mar-17

DIMENSIONS: mm  
 TOLERANCES UNLESS OTHERWISE SPECIFIED:  
 0 PLC ±0.2  
 1 PLC ±0.2  
 2 PLC ±0.2  
 3 PLC ±0.2  
 4 PLC ±0.2  
 ANGLES ±0.2

MATERIAL: -  
 FINISH: -

WEIGHT: -  
 CUSTOMER DRAWING

NAME: DUOPLUG MARK II SIDE LOCKING  
 PRODUCT SPEC: 108-18785-1  
 APPLICATION SPEC: 114-18467-1


SIZE: A1  
 CAGE CODE: -  
 DRAWING NO: C=2306286

RESTRICTED TO: -  
 SCALE: 8:1  
 SHEET: 1 OF 2  
 REV: B28

REVISIONS					
P.	LTN	DESCRIPTION	DATE	DMN	APVD
-	-	SEE SHEET 1	-	-	-

GWEPT 750°C NO FLAME & UL94-VO, SILVER PLATED VERSION																			
-	X	X	X	X	X	X	X	X	X	X	9	20.0	24.9	23.5	20.0	3.75	2/3	1-2369990-9	
Red									X	X	X	4	7.5	12.4	11.0	7.5	6.25	3/4	1-2369990-4
Color Code	10	9	8	7	6	5	4	3	2	1	POS.	A	B	C	D	E	KEYING	PN Bestell-Nr.	
CAVITIES LOADED																			

PA GF, GWEPT 750°C NO FLAME & UL94-VO, TIN PLATED VERSION																		
-	X	0	X	X	0	X	0	X	0	X	10	22.5	27.4	26	22.5	6.25	3/4	1-2306287-0
-	X	X	X	X	X	X	X	X	X	X						3.75	-	2-2306286-0
-	X	X	X	X	X	X	X	X	X	X						3.75	2/3	1-2306286-0
-	X	X	X	X	X	X	X	X	X	X						2/3	2/3	1-2306286-9
Black	X	X	X	X	X	X	X	X	X	X						2/3	2/3	2306286-9
Orange	X	X	0	X	0	X	X	0	X							2/3	2/3	4-2306287-9
-	X	0	X	0	X	0	X	0	X	9	20	24.9	23.5	20		2/3	2/3	3-2306287-9
-	X	0	X	X	0	X	0	X	X							2/3	2/3	2-2306287-9
-	X	X	0	X	0	X	0	X	X							-	-	1-2306287-9
Green	X	0	X	X	0	X	0	X	X							3.75	2/3	2306287-9
Brown		X	0	X	0	X	X	X	X							3.75	2/3	2-2306287-8
Blue		X	X	X	0	X	X	0	X							3.75	2/3	1-2306287-8
-		X	0	X	0	X	X	X	X							3.75	2/3	2306287-8
Black		X	X	X	X	X	X	X	X	8	17.5	22.4	21	17.5		3.75	2/3	2-2306286-8
-		X	X	X	X	X	X	X	X							11.25	5/6	1-2306286-8
-		X	X	X	X	X	X	X	X							3.75	2/3	2306286-8
-		X	0	X	0	X	0	X	X							11.25	5/6	3-2306287-7
Black		X	0	X	0	X	0	X	X							8.75	4/5	2-2306287-7
-		X	0	X	0	X	0	X	X							2/3	2/3	1-2306287-7
Blue		X	0	X	0	X	0	X	X	7	15	19.9	18.5	15		3.75	2/3	2306287-7
-		X	X	X	X	X	X	X	X							11.25	5/6	2-2306286-7
-		X	X	X	X	X	X	X	X							3.75	2/3	1-2306286-7
Black		X	X	X	X	X	X	X	X							2/3	2/3	2306286-7
Black			X	X	X	X	X	X	X							3.75	2/3	5-2306286-6
RED			X	X	X	X	X	X	X							8.75	4/5	4-2306286-6
-			X	X	X	X	X	X	X							6.25	3/4	3-2306286-6
-			X	X	X	X	X	X	X							3.75	2/3	1-2306286-6
-			X	X	X	X	X	X	X							8.75	4/5	2-2306286-6
-			X	X	X	X	X	X	X	6	12.5	17.4	16	12.5		1.25	1/2	2306286-6
-			X	0	X	X	0	X								3.75	2/3	4-2306287-6
-			X	X	0	X	0	X								8.75	4/5	3-2306287-6
-			X	0	X	X	0	X								4/5	4/5	2-2306287-6
-			X	0	X	X	0	X								3.75	2/3	1-2306287-6
Black			X	0	X	X	0	X								3.75	2/3	2306287-6
-			X	0	X	0	X									3.75	2/3	2-2306287-5
-			X	X	X	0	X									6.25	3/4	1-2306287-5
Blue			X	X	X	0	X									6.25	3/4	2306287-5
Grey			X	X	X	X	X									1.25	1/2	6-2306286-5
-			X	X	X	X	X									1.25	1/2	5-2306286-5
-			X	X	X	X	X									6.25	3/4	4-2306286-5
-			X	X	X	X	X									3.75	2/3	3-2306286-5
Green			X	X	X	X	X									1.25	1/2	2-2306286-5
Red			X	X	X	X	X									6.25	3/4	1-2306286-5
Black			X	X	X	X	X									3.75	2/3	2306286-5
-			X	X	X	X	X									6.25	3/4	3-2306286-4
-			X	X	X	X	X									1.25	1/2	2-2306286-4
Red			X	X	X	X	X			4	7.5	12.4	11	7.5		6.25	3/4	1-2306286-4
Black			X	X	X	X	X									1.25	1/2	2306286-4
-			X	0	X		X									1.25	1/2	3-2306287-3
-			X	0	X		X									3.75	2/3	2-2306287-3
Green			X	0	X		X									1.25	1/2	1-2306287-3
Blue			X	0	X		X									3.75	2/3	2306287-3
-			X	X	X		X									3.75	2/3	3-2306286-3
-			X	X	X		X									1.25	1/2	2-2306286-3
Black			X	X	X		X									3.75	2/3	1-2306286-3
Red			X	X	X		X									1.25	1/2	2306286-3
Color Code	10	9	8	7	6	5	4	3	2	1	POS.	A	B	C	D	E	KEYING	PN Bestell-Nr.
CAVITIES LOADED																		

THIS DRAWING IS A CONTROLLED DOCUMENT.		DMN Winter Wang 10-Sep-24	 TE Connectivity
DIMENSIONS: mm		CHK Daniel Zhong 15-Mar-17	
TOLERANCES UNLESS OTHERWISE SPECIFIED:		APVD Riccardo Robore 15-Mar-17	NAME DUOPLUG MARK 11 SIDE LOCKING
0 PLC ±0.2 1 PLC ±0.2 2 PLC ±0.2 3 PLC ±0.2 4 PLC ±0.2 ANGLES ±0.2		PRODUCT SPEC 108-18785-1	SIZE A1
MATERIAL FINISH		APPLICATION SPEC 114-18467-1	CAGE CODE C=2306286
		WEIGHT	RESTRICTED TO
		CUSTOMER DRAWING	SCALE 8:1 SHEET 2 OF 2 REV B28