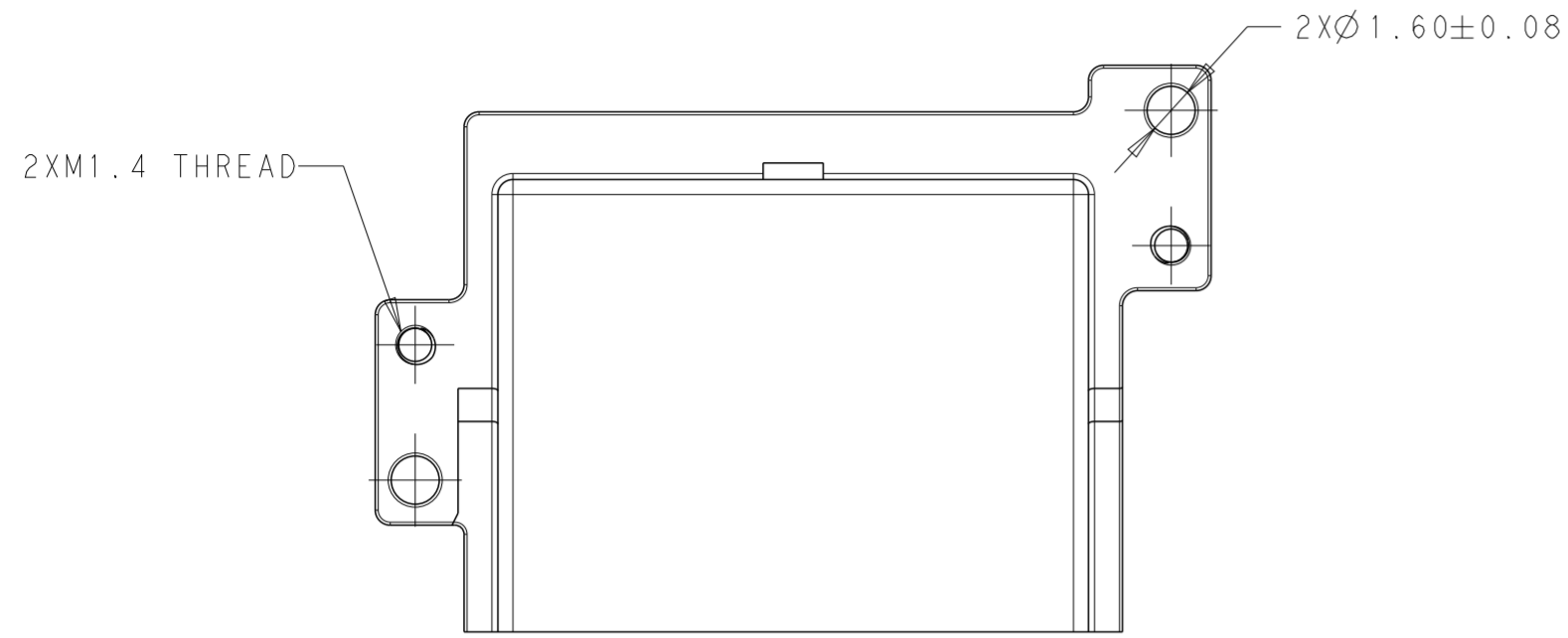
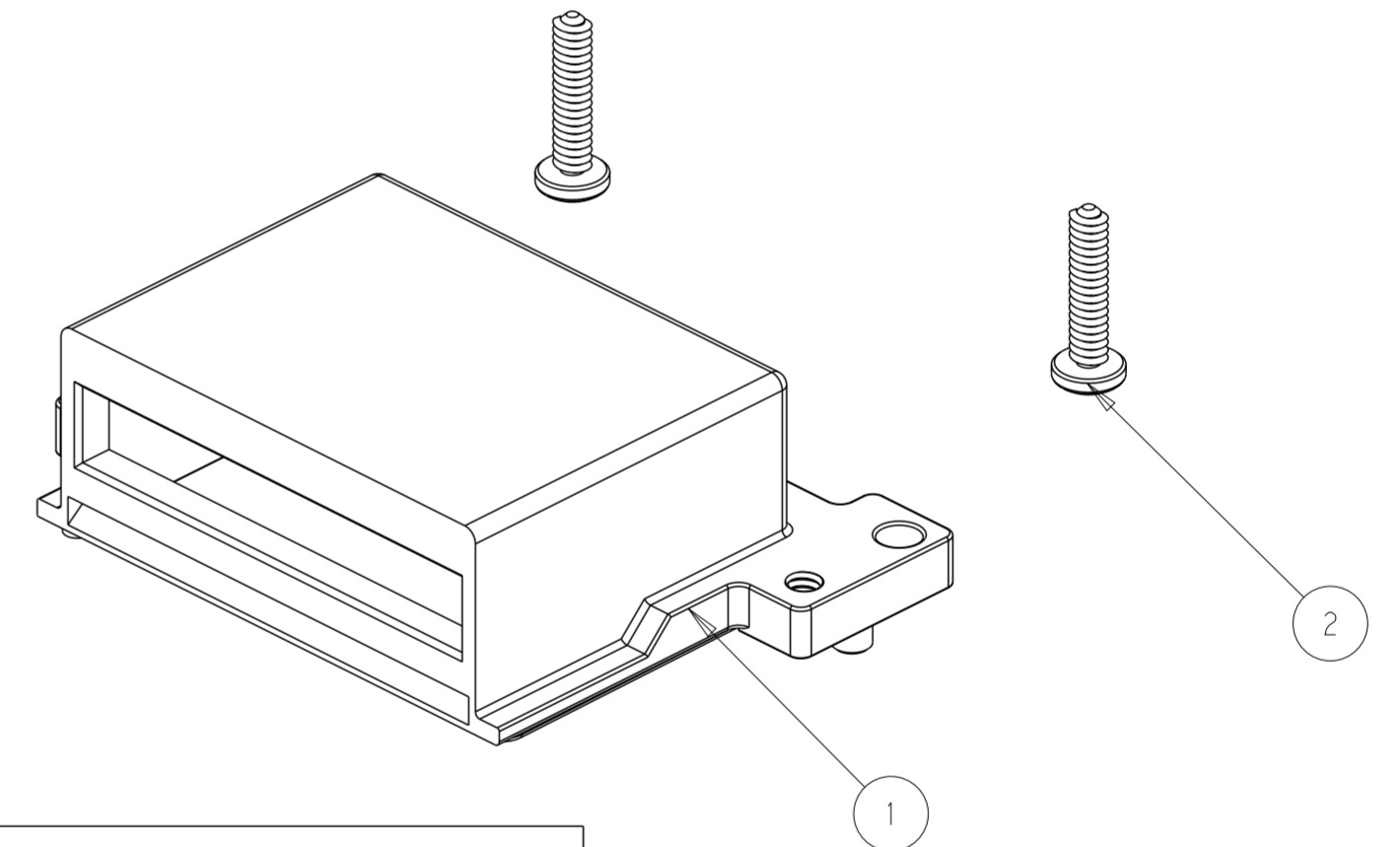
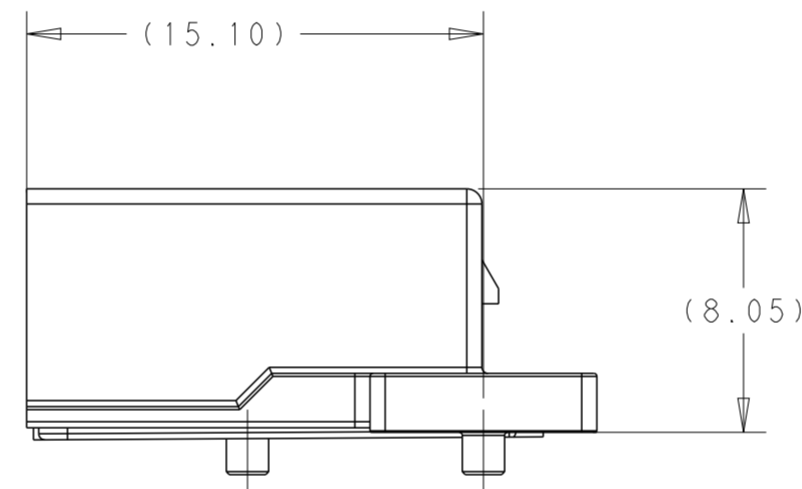
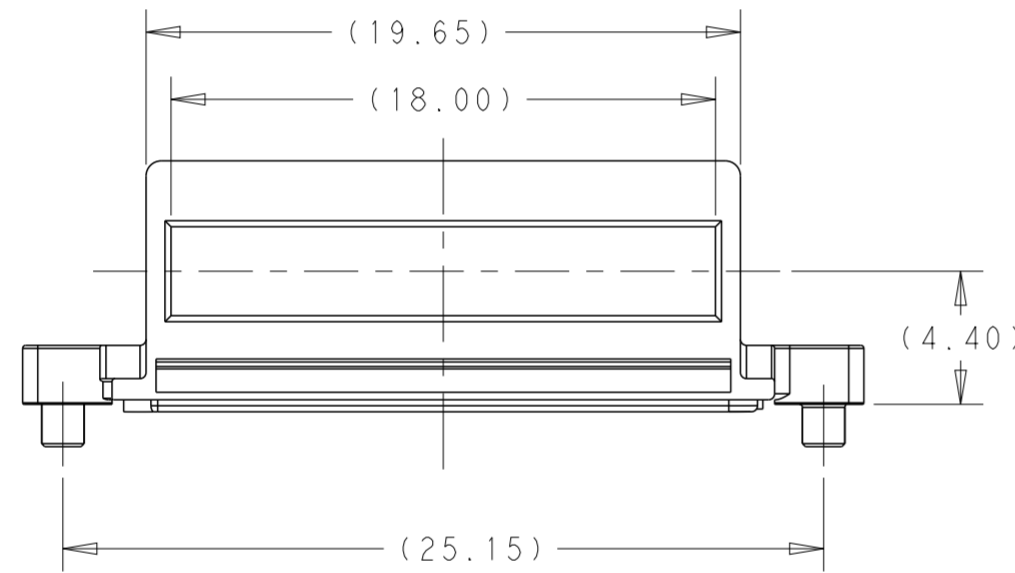


THIS DRAWING IS UNPUBLISHED. RELEASED FOR PUBLICATION 20  
 © COPYRIGHT 20 BY - ALL RIGHTS RESERVED.

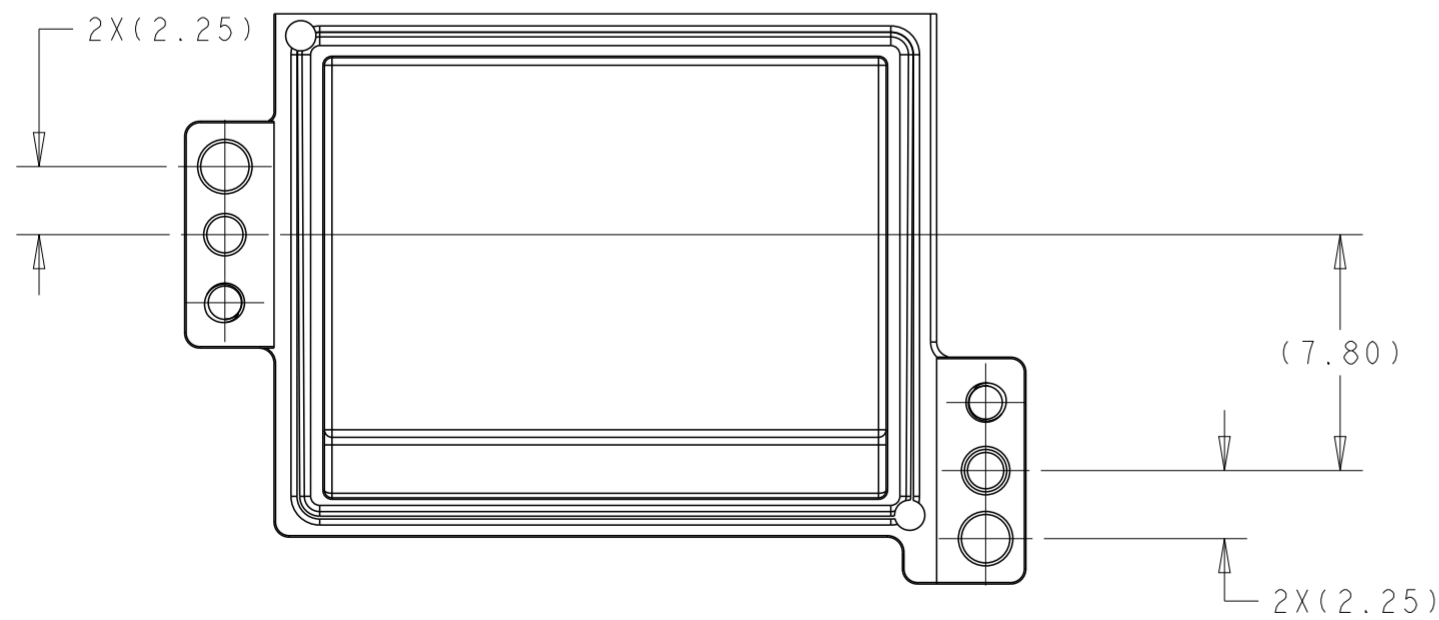
REVISIONS					
P	LTR	DESCRIPTION	DATE	DWN	APVD
1		PRELIMINARY DRAWING	24MAY2016	AD	SH
2		REVISED PER ECN-22-167680	03AUG2022	AK	SZ



- 1.MATERIAL:RECEPTACLE COVER:ZNIC ALLOY  
GASKET: SILICON  
SCREW:STAINLESS STEEL
- 2.PLATING: RECEPTACLE COVER:1.27 $\mu$ m MIN. NICKEL OVER COPPER PLATING
- 3.MATES WITH MSA COMPLIANT TRANSCEIVERS.
- 4.PACKAGED AS SEPARATED KITS IN ONE BOX .



OBSOLETE



2	2292789-1	M1.4X6 SCREW	2
1	2288228-1	RECEPTACLE COVER WITH GASKET	1
-1	PART/MATERIAL	DESCRIPTION	ITEM

DIMENSIONS:		TOLERANCES UNLESS OTHERWISE SPECIFIED:		DWN		APVD		NAME	
mm		0 PLC	$\pm$	ANDY.XIE	24MAY2016	SEAN.HAN	24MAY2016	RECEPTACLE COVER WITH SCREW CFP4 1X1	
		1 PLC	$\pm$ 0.25	CHK	24MAY2016	SEAN.HAN	24MAY2016	SIZE	CAGE CODE
		2 PLC	$\pm$ 0.15	APVD	24MAY2016	SEAN.HAN	24MAY2016	A2	-
		3 PLC	$\pm$ 0.10	PRODUCT SPEC				DRAWING NO	RESTRICTED TO
		4 PLC	$\pm$	APPLICATION SPEC				C-2304455	-
MATERIAL		ANGLES	$\pm$	WEIGHT				SCALE	SHEET
		FINISH		CUSTOMER DRAWING				1:1	1 OF 1
									REV 2