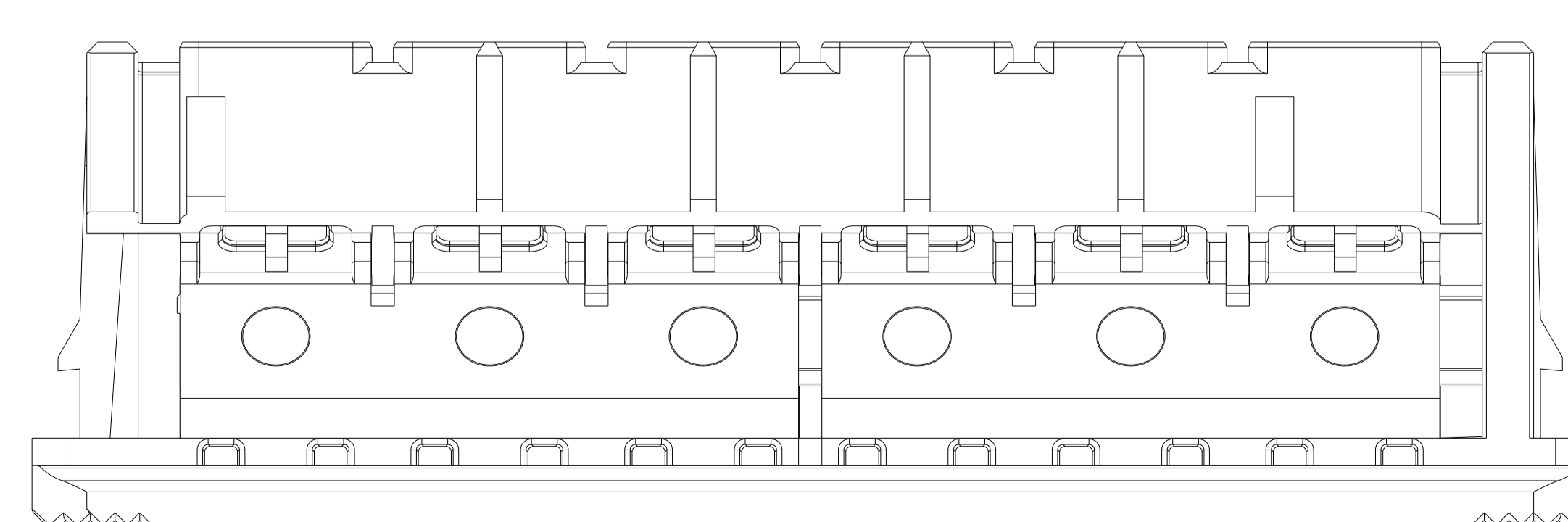
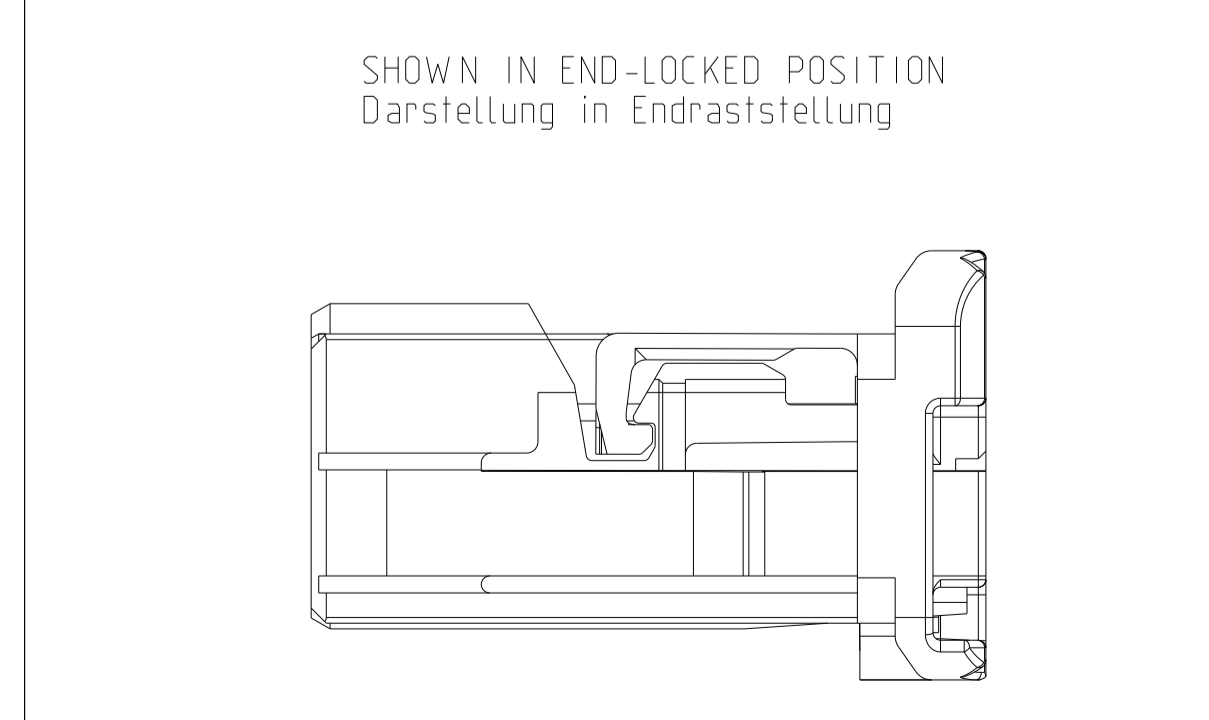
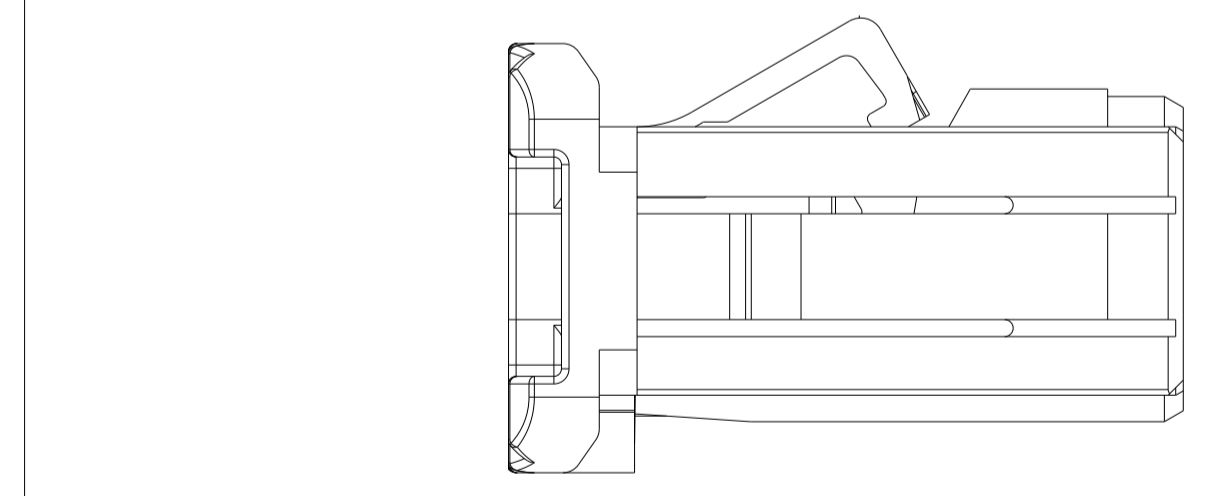
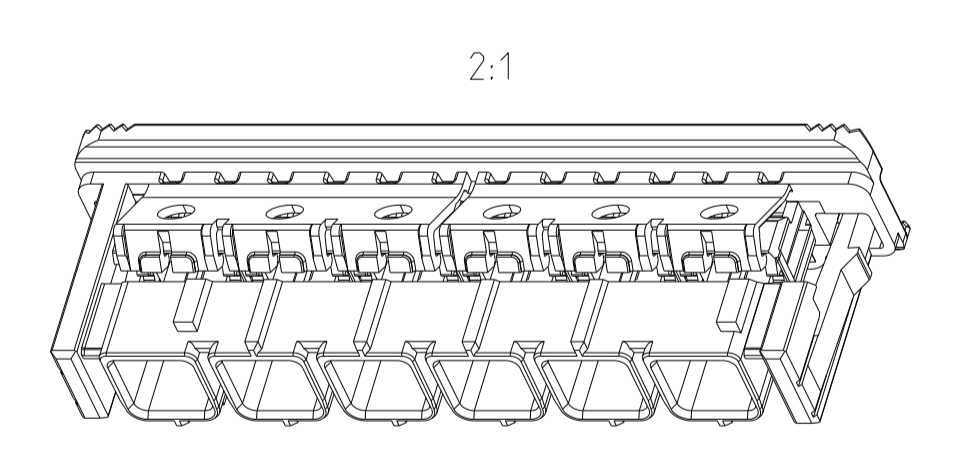
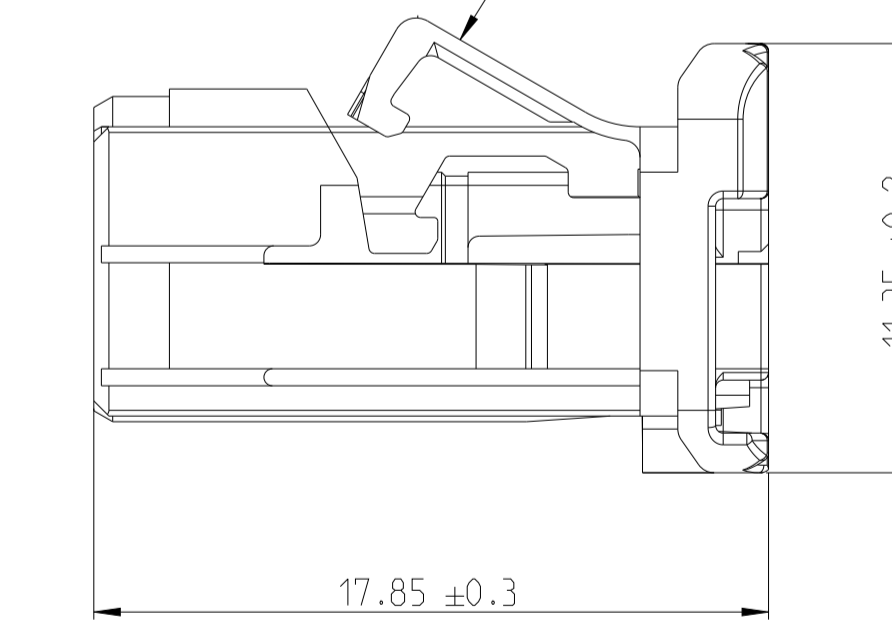
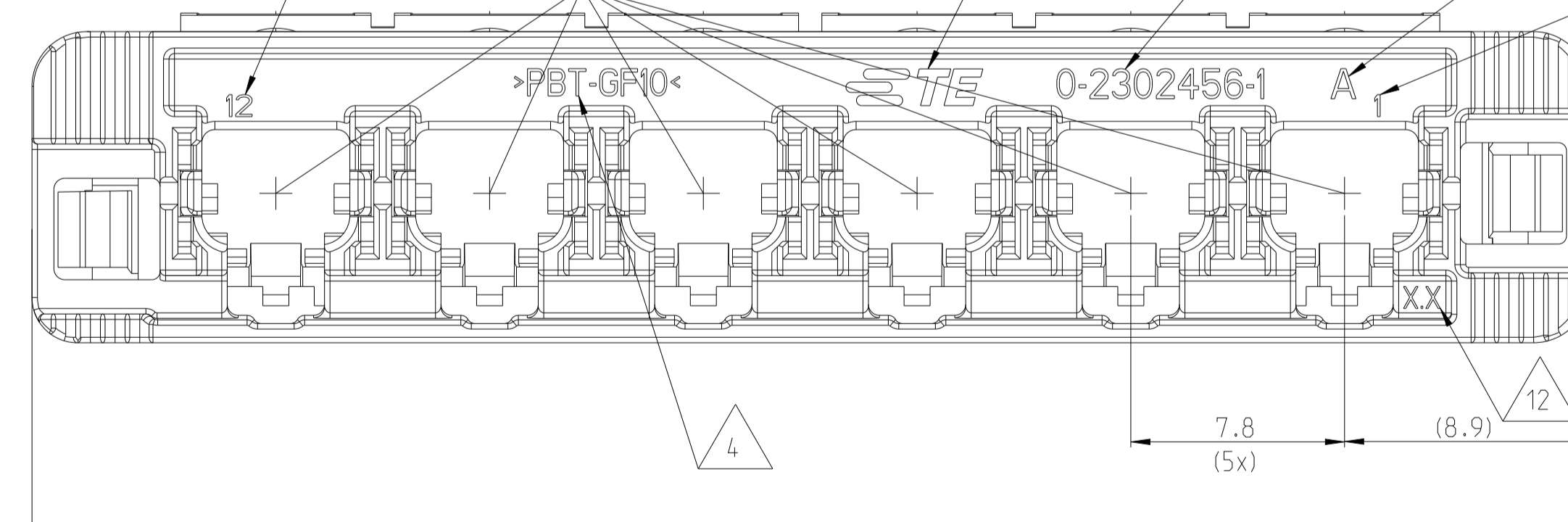
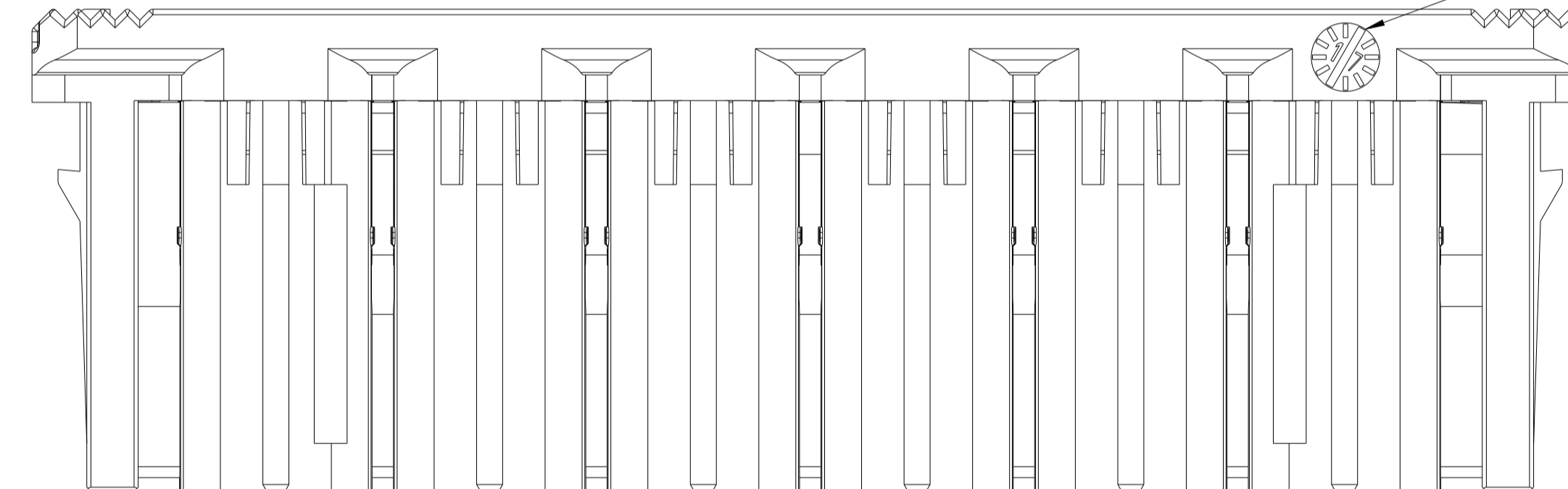
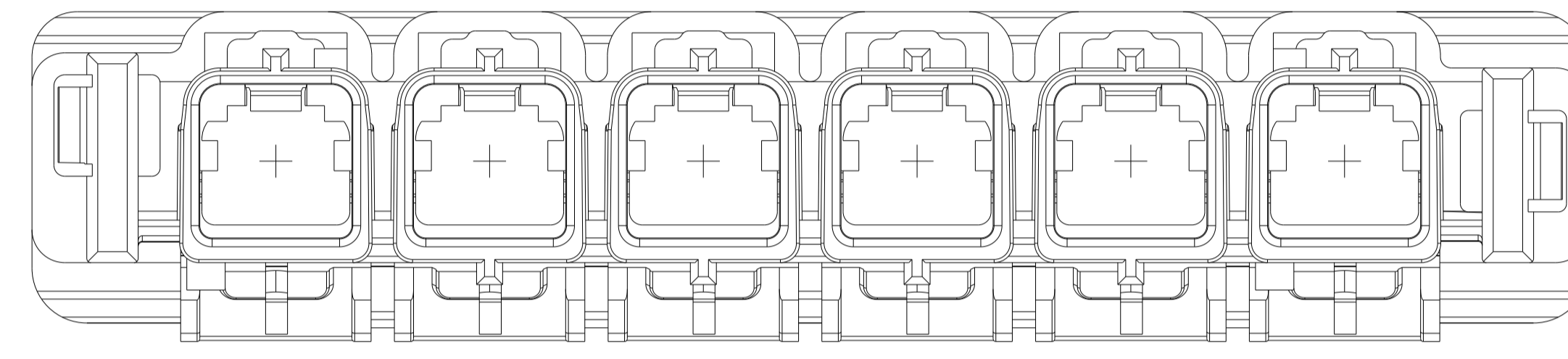
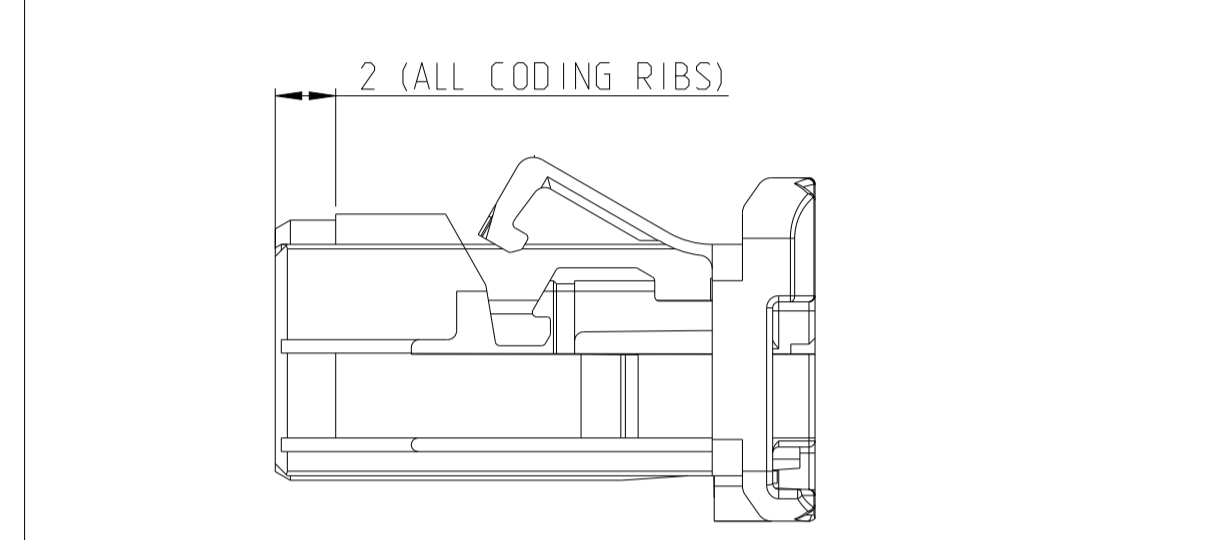
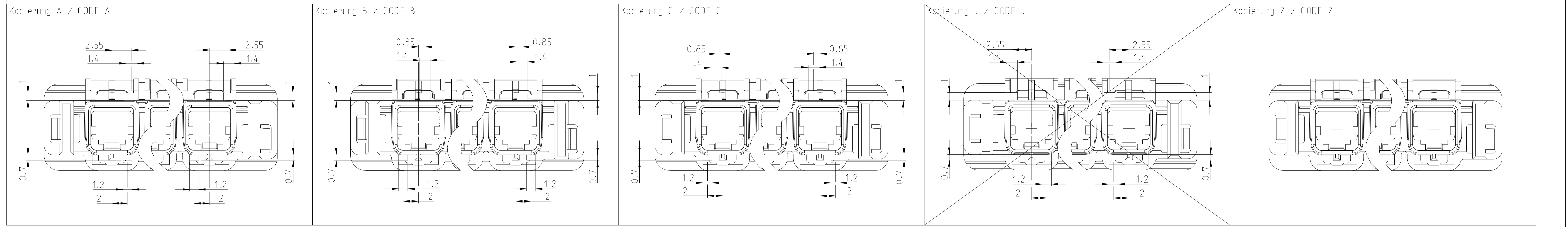


PROJEKT NR.:		REVISIONS ÄNDERUNGEN			
P.	LTA	DESCRIPTION BESCHREIBUNG	DATE	DWN	APVD
B		E-16-016822 (STP-Contact-Spring Pockets added)	28NOV2016	KIJ	AK
B1		E-17-012393 (added serial parts)	25AUG2017	RW	AK
B2		omitted	-	-	-
B3		PCN-23-188540 (obsolete B-Samples)	03JAN2024	RW	AK



- Notizen / NOTES:
- 0-2302456-1 Kodierung A wie dargestellt  
0-2302456-1 CODING A AS SHOWN
  - Passend zu Stiftwanne nach TE-Schnittstellenzeichnung 208-18011  
MATING TO PINHEADER ACC. TE-INTERFACE DRAWING 208-18011
  - Kammer fuer MATEnet 2Pos. NanoMQS female Insert module TE-PN 0-2302450-X  
CAVITY FOR MATEnet 2Pos. NanoMQS FEMALE INSERT MODULE TE-PN 0-2302450-X
  - Materialkennzeichnung  
MATERIAL MARKING
  - TE-Logo  
TE-LOGO
  - TE-Teile Nummer  
TE-PART NUMBER
  - Revisionsstand  
PART REVISION
  - Kontaktkammernummerierung  
CONTACT CAVITY NUMBER
  - Produktionsdatum  
PRODUCTION DATE
  - Anlieferungszustand: 2. Kontaktsicherung geöffnet  
DELIVERY CONDITION: RETAINER IN OPEN POSITION
  - Verpackung: Schuetztgut im Beutel im Karton  
PACKAGING: LOOSE PIECE IN BAG IN BOX
  - Werkzeug Markierung. X.X ↔ (Werkzeugnummer).(Nest-Numer)  
TOOL Marking. X.X ↔ [TOOL-No]. [CAVITY- No]

CODE	PART No.	Rev.	DESCRIPTION	MATERIAL	WEIGHT [g]	COLOUR similar RAL
Z	0-2302456-9	A	6-Port MATEnet Frame, CODE Z	PBT-GF10 0% regrind	3.9	WaterBlue 5021
J	0-2302456-7	A	6-Port MATEnet Frame, CODE J		3.9	Beige 1901
C	0-2302456-3	A	6-Port MATEnet Frame, CODE C		3.9	blue 5012
B	0-2302456-2	A	6-Port MATEnet Frame, CODE B		3.9	white 9010
A	0-2302456-1	A	6-Port MATEnet Frame, CODE A		3.9	Black 9011
CODE	PART No.	Rev.	DESCRIPTION		MATERIAL	WEIGHT [g]

THIS DRAWING IS A CONTROLLED DOCUMENT.

DIMENSIONS: MASSENHEITEN: mm

TOLERANCES UNLESS OTHERWISE SPECIFIED: ALLE DIMENSIONEN

0 PLC	±0.2
1 PLC	±0.1
2 PLC	±0.1
3 PLC	±0.1
4 PLC	±0.1
ANGLES/WINKEL	±0.1°
FINISH/OBERFLÄCHE/FINISCH	see table

MATERIAL: see table

WEIGHT: see table

CUSTOMER DRAWING

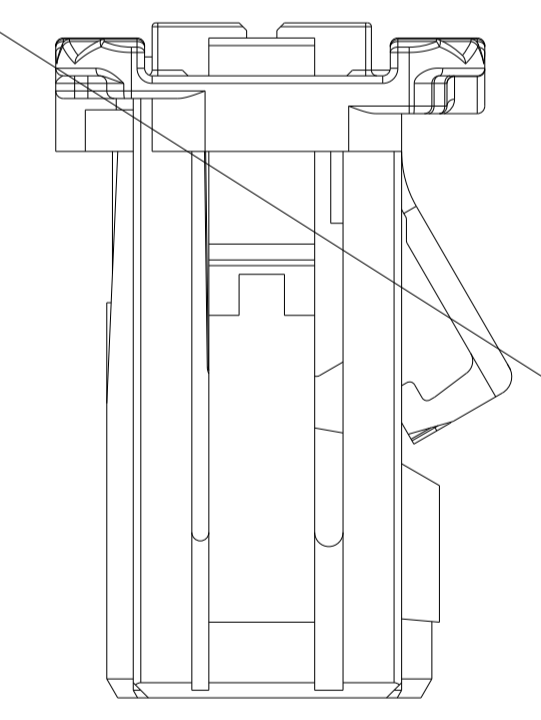
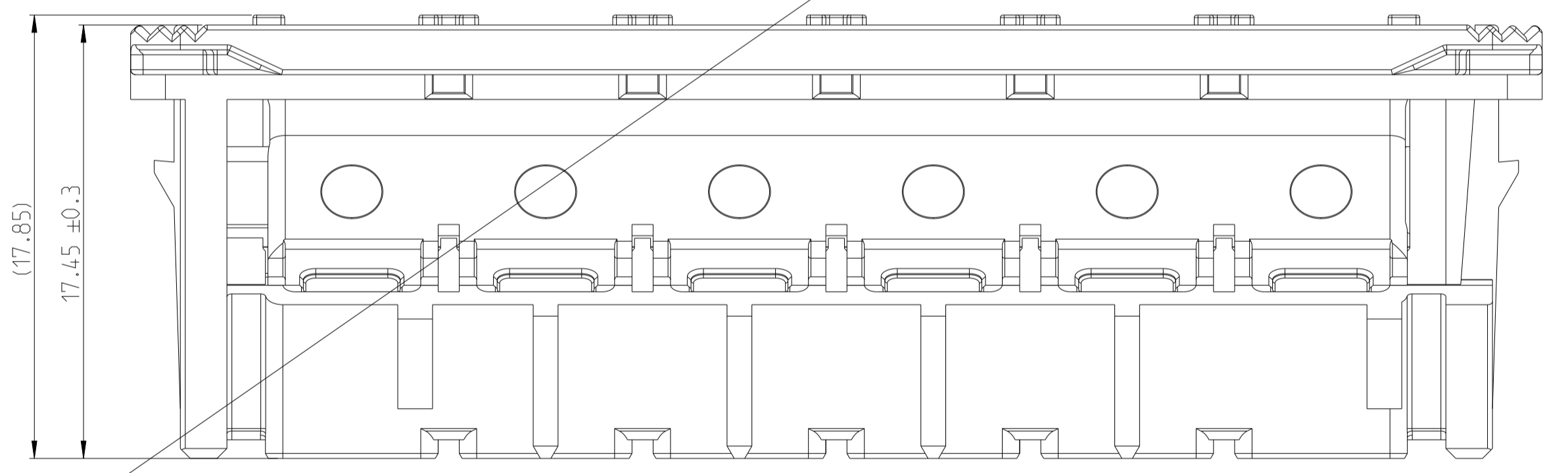
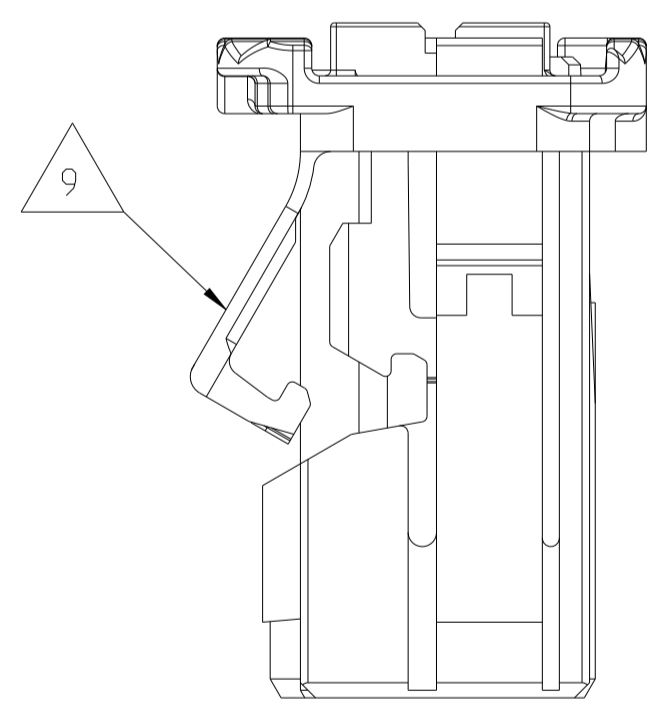
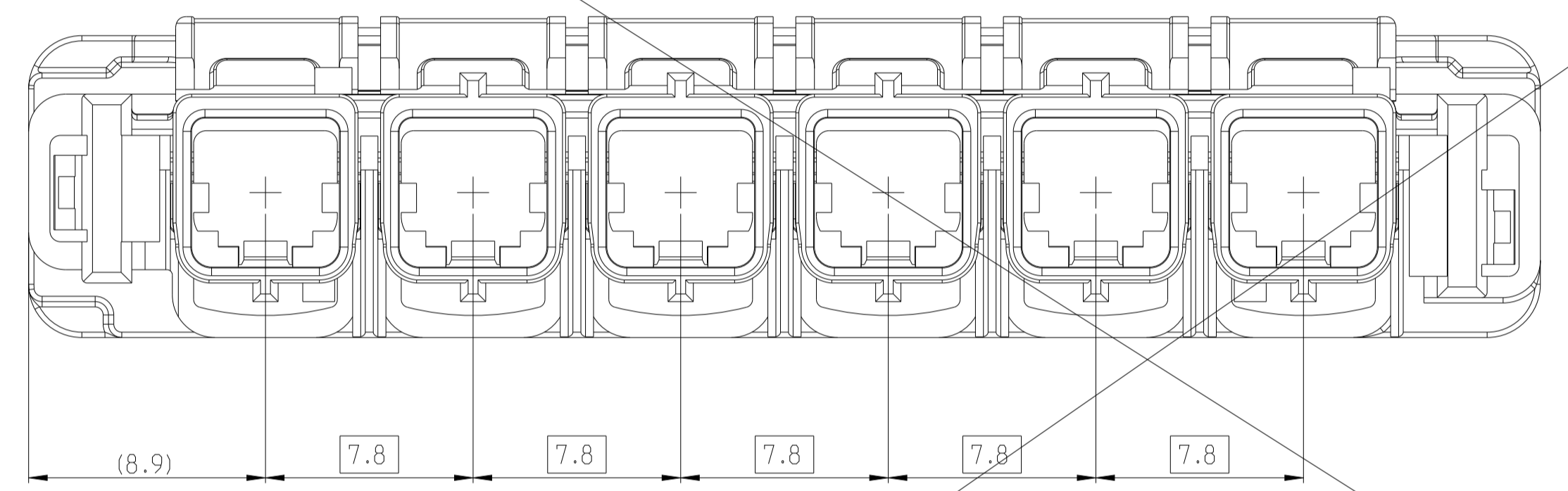
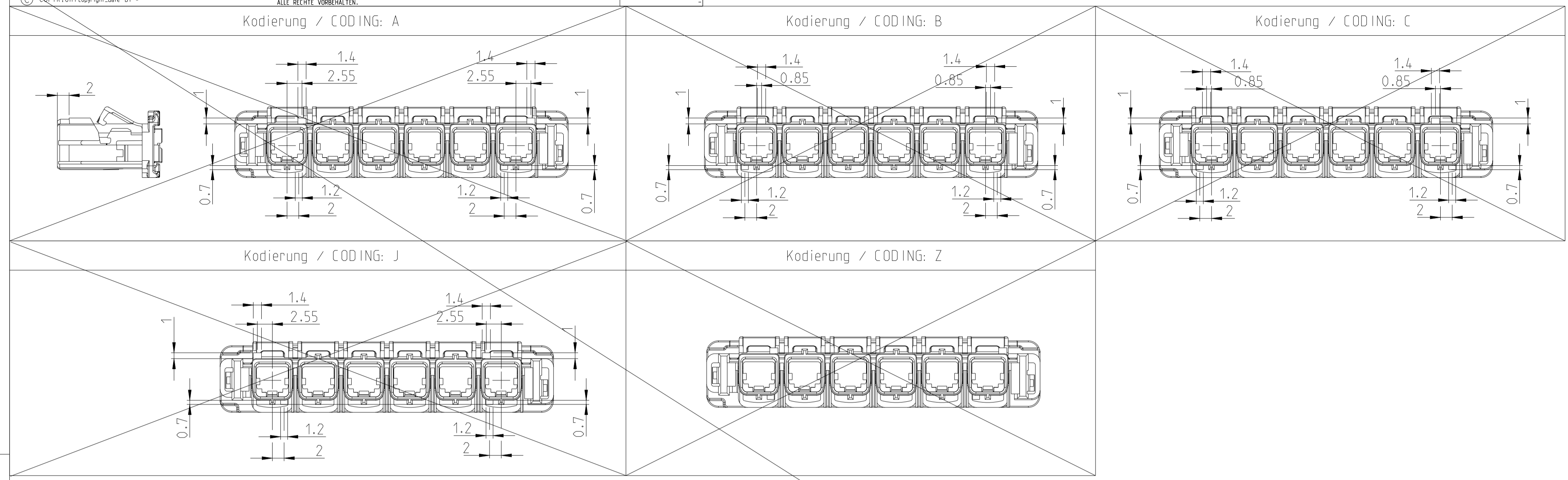
DWN: J. KIESSWETTER 16AUG2016  
 CHK: R. WUERKER 16AUG2016  
 APVD: A. KETTLER 16AUG2016

NAME: 6-Port MATEnet Frame  
6-PORT MATEnet FRAME

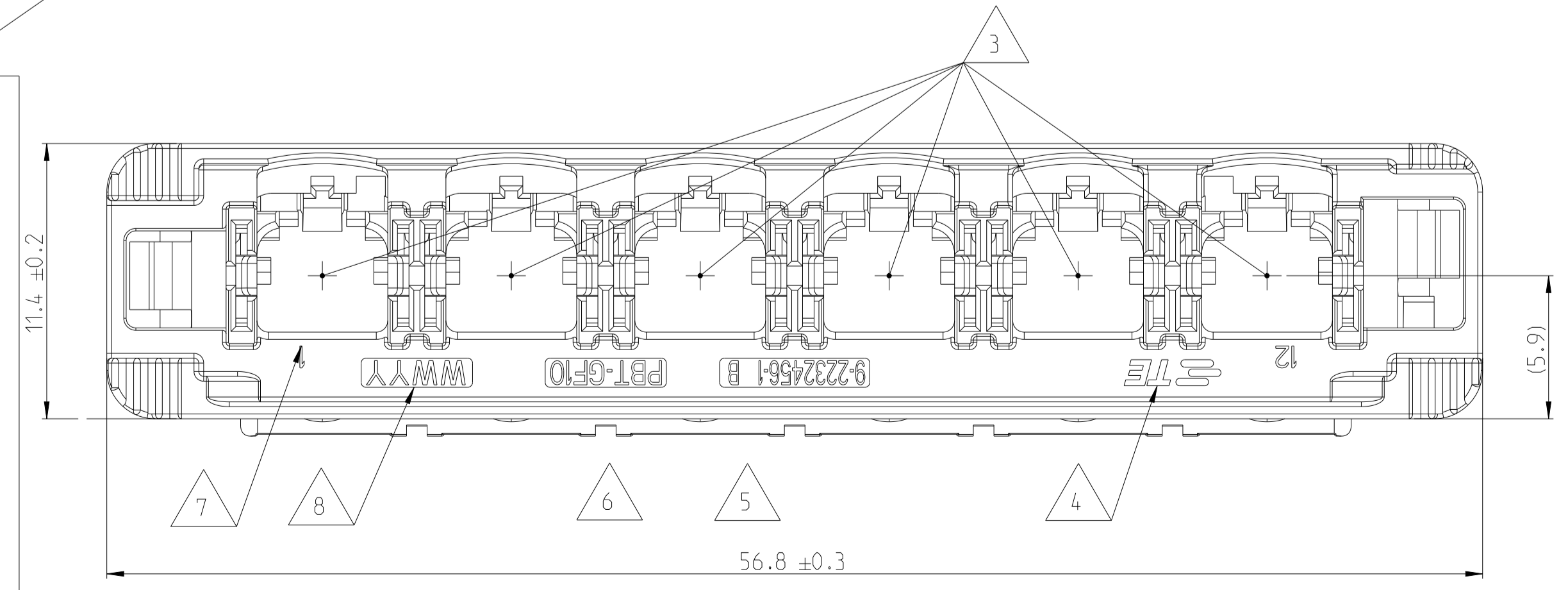
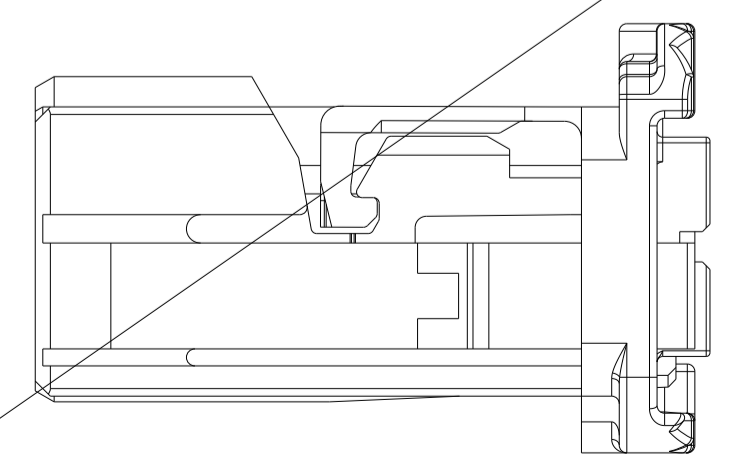
SIZE: A1  
 CAGE CODE: 00779  
 DRAWING NO: 2302456

RESTRICTED TO NUR FÜR: -

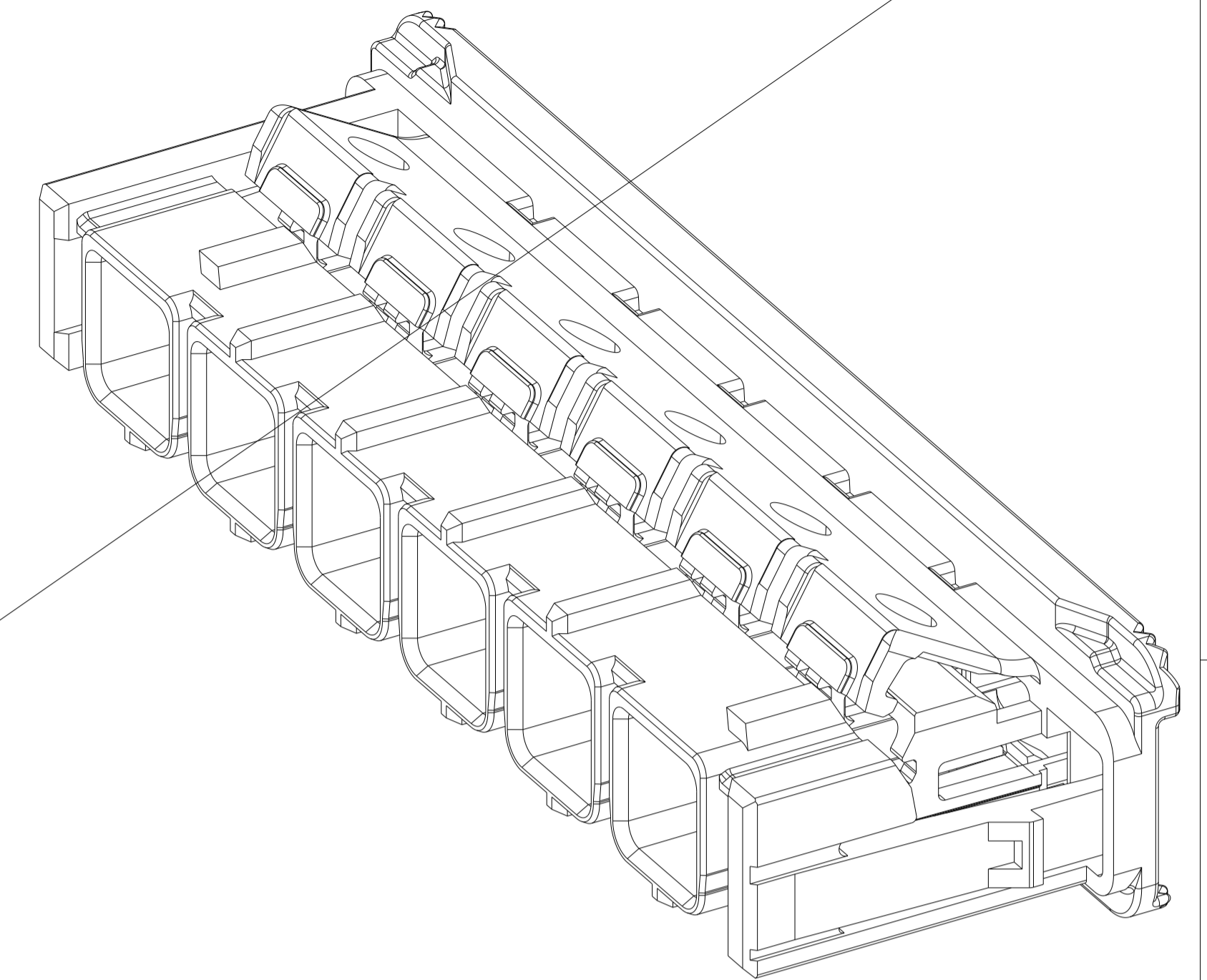
SCALE: MASSSTAB 5:1  
 SHEET: 1 OF 2  
 REV: B3



2. Kontaktsicherung geschlossen  
 RETAINER CLOSED



PROJEKT NR.:	REVISIONS ÄNDERUNGEN	DATE	DWN	APVD
	DESCRIPTION BESCHREIBUNG			
	SEE SHEET 1			



Notizen / NOTES:

- 9-2302456-1 Kodierung A wie dargestellt  
 9-2302456-1 CODING A AS SHOWN
- Passend zu Stiftwanne nach TE-Schnittstellenzeichnung 208-18011  
 MATING TO PINHEADER ACC. TE-INTERFACE DRAWING 208-18011
- Kammer fuer MATenet 2Pos. NanoMQS female Insert module TE-PN 9-2302450-X  
 CAVITY FOR MATenet 2Pos. NanoMQS FEMALE INSERT MODULE TE-PN 9-2302450-X
- TE-Logo  
 TE-LOGO
- TE-Teile Nummer  
 TE-PART NUMBER
- Revisionsstand  
 PART REVISION
- Kontaktkammernummerierung  
 CONTACT CAVITY NUMBER
- Produktionsdatum  
 PRODUCTION DATE
- Anlieferzustand: 2. Kontaktsicherung geöffnet  
 DELIVERY CONDITION: RETAINER IN OPEN POSITION
- Verpackung: Schuetztgut im Beutel im Karton  
 PACKAGING: LOOSE PIECE IN BAG IN BOX

**B-MUSTER  
 PROTOTYPE B-SAMPLES**

CODE	PART No.	Rev.	DESCRIPTION	MATERIAL	WEIGHT [g]	COLOR similar RA
Z	9-2302456-9	B	6-Port MATenet Frame, CODE Z	PBT-GF10 0% regrind	3.56	WaterBlue 5021
J	9-2302456-7	B	6-Port MATenet Frame, CODE J		3.60	Beige 4001
C	9-2302456-3	B	6-Port MATenet Frame, CODE C		3.60	blue 5042
B	9-2302456-2	B	6-Port MATenet Frame, CODE B		3.60	white 9010
A	9-2302456-1	B	6-Port MATenet Frame, CODE A		3.60	black 9011

**SUPERCEDED BY:**  
 0-2302456-x

THIS DRAWING IS A CONTROLLED DOCUMENT.

DWN: J. KIESSWEITER 16AUG2016  
 CHK: R. WUERKER 16AUG2016  
 APVD: A. KETTLER 16AUG2016

TE Connectivity

NAME: 6-Port MATenet Frame  
 6-PORT MATenet FRAME

PRODUCT SPEC: 108-94568  
 APPLICATION SPEC: 114-94431

SIZE: A1  
 CAGE CODE: 00779  
 DRAWING NO: 0-2302456

RESTRICTED TO: NUR FÜR: -

MATERIAL: see table  
 DIMENSIONS: MASSENHEITEN: mm  
 TOLERANCES UNLESS OTHERWISE SPECIFIED: ALLE DIMENSIONEN: mm  
 0 PLC ±0.1  
 1 PLC ±0.1  
 2 PLC ±0.05  
 3 PLC ±  
 4 PLC ±  
 ANGLES/WINKEL: °  
 FINISH/OBERFLÄCHE/FARBE: see table

WEIGHT: see table  
 GEWICHT: see table

CUSTOMER DRAWING / KUNDENZEICHNUNG  
 SCALE: 1:1  
 SHEET: 2 OF 2  
 REV: B3