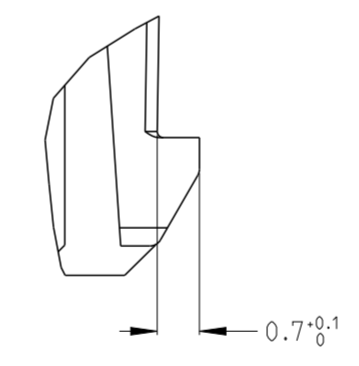
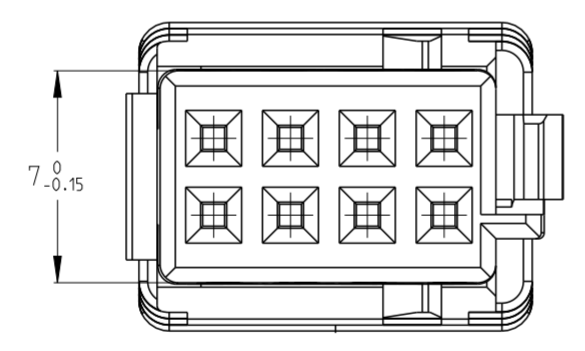
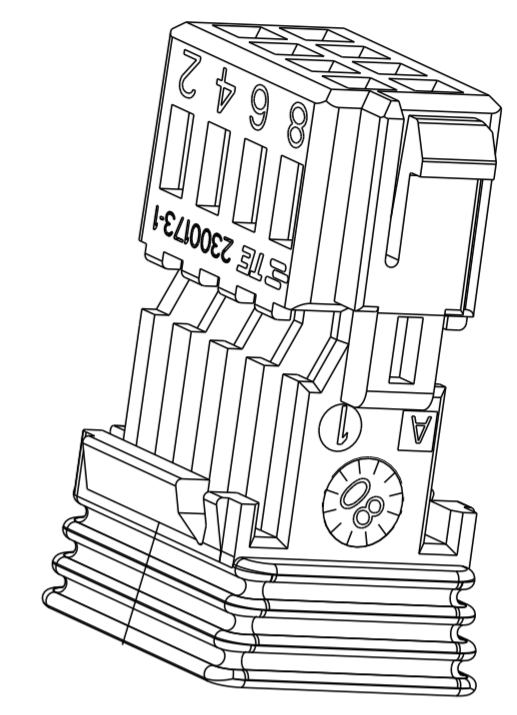
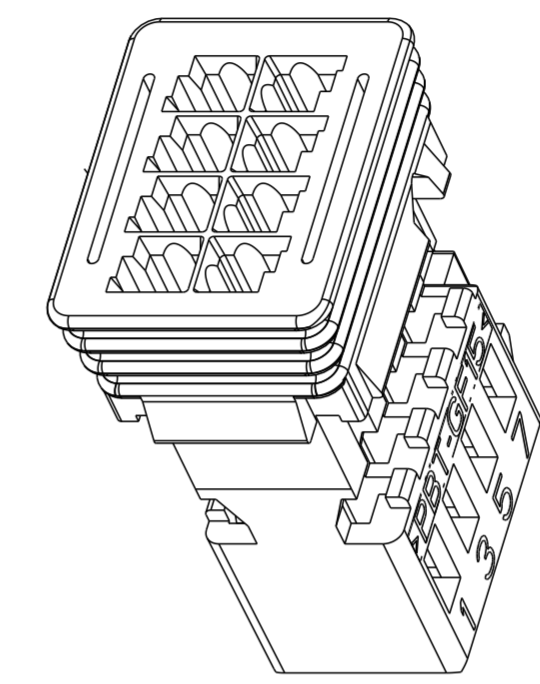
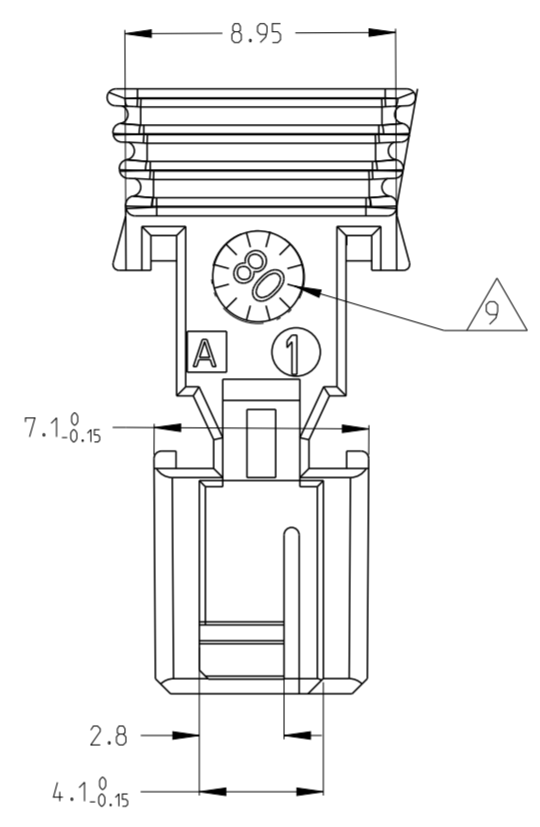
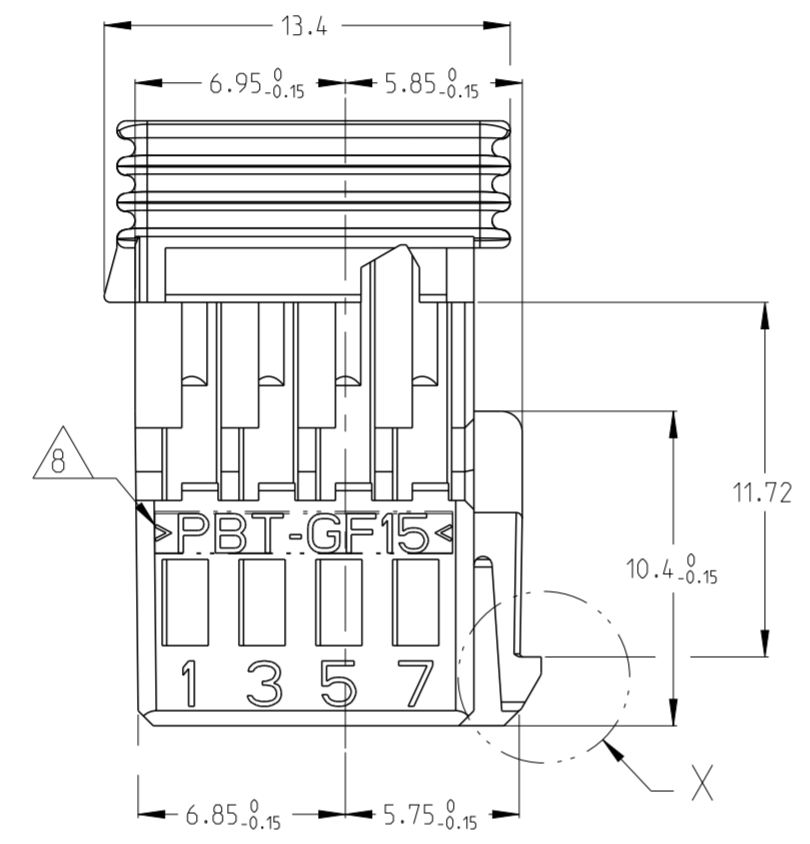
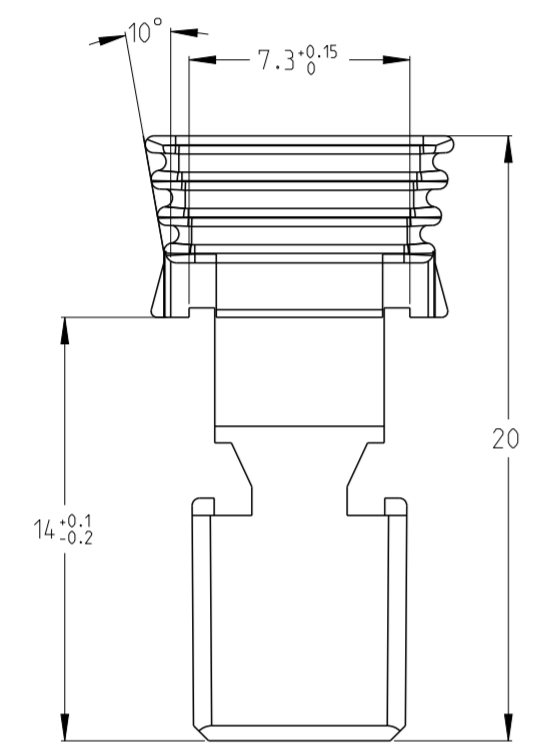
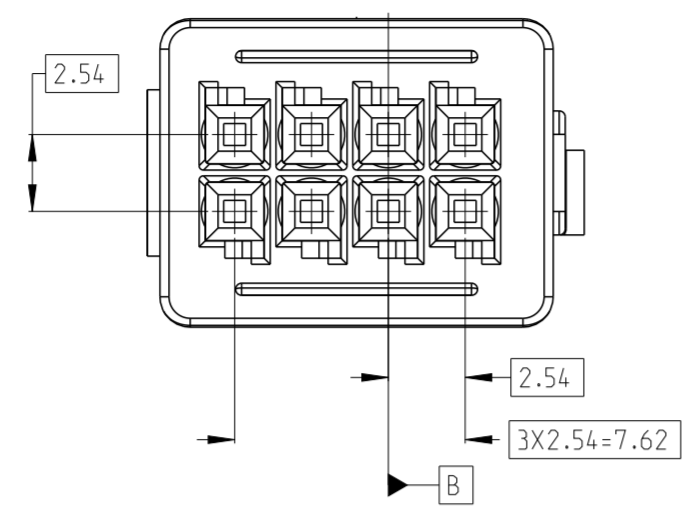
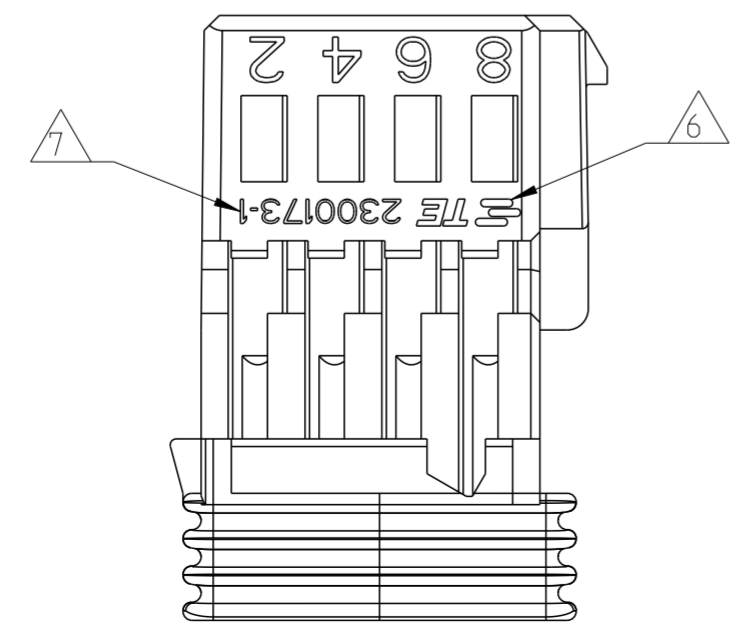


THIS DRAWING IS UNPUBLISHED. RELEASED FOR PUBLICATION 20
 © COPYRIGHT 20 BY - ALL RIGHTS RESERVED.

REVISIONS					
P	LTR	DESCRIPTION	DATE	DWN	APVD
	A	FIRST RELEASE	05JUL2016	D.D	SY.W



DETAIL X
SCALE 8:1



- 1 USED WITH:
SLIDE PN 2300829-1;
- 2 USEABLE INTERFACE SPECIFICATION 114-18063-40;
- 3 SUITABLE TE HEADER HEADER PN: 2137811-1;
- 4 PACKAGING: LOOSE PIECE IN CARTON;
- 5 THE PRODUCT CAN USE WITH THE FOLLOWING TERMINAL PART NUMBERS: 928999-*,963715-*,144969-*,
MAX WIRE SIZE 0.75MM² FLR PERMITTED;
MAX INSULATION DIAMETER 1.9MM;
- FOR PERMISSIBLE CURRENT CARRYING CAPACITY OF THE SINGLE CONTACT SEE PRODUCT SPECIFICATION NO:108-18030
- 6 TE LOGO;
- 7 TE PART NO.;
- 8 MATERIAL IDENTIFICATION;
- 9 DATE CODE;

2300173-1	A	Z	PBT-GF15	WATERBLUE	MQS 8P, HOUSING	1
ORDER NO	REV	COD	MATERIAL	COLOR	DESCRIPTION	ITEM

THIS DRAWING IS A CONTROLLED DOCUMENT.		DWN D.DING	05JUL2016	STE TE Connectivity	NAME MICRO QUADLOK SYSTEM, HOUSING, 8POS.	
DIMENSIONS: mm		CHK G.ZHU	05JUL2016			
TOLERANCES UNLESS OTHERWISE SPECIFIED:		APVD SY.WANG	05JUL2016			
0 PLC ±0.2 1 PLC ±0.2 2 PLC ±0.2 3 PLC ± 4 PLC ± ANGLES ±2° FINISH -		PRODUCT SPEC 108-101450	APPLICATION SPEC 114-101046			
MATERIAL PBT-GF15		WEIGHT 1.27g		SIZE A2	CAGE CODE 00779	DRAWING NO C-2300173
CUSTOMER DRAWING				SCALE 4:1	SHEET 1 OF 1	REV A