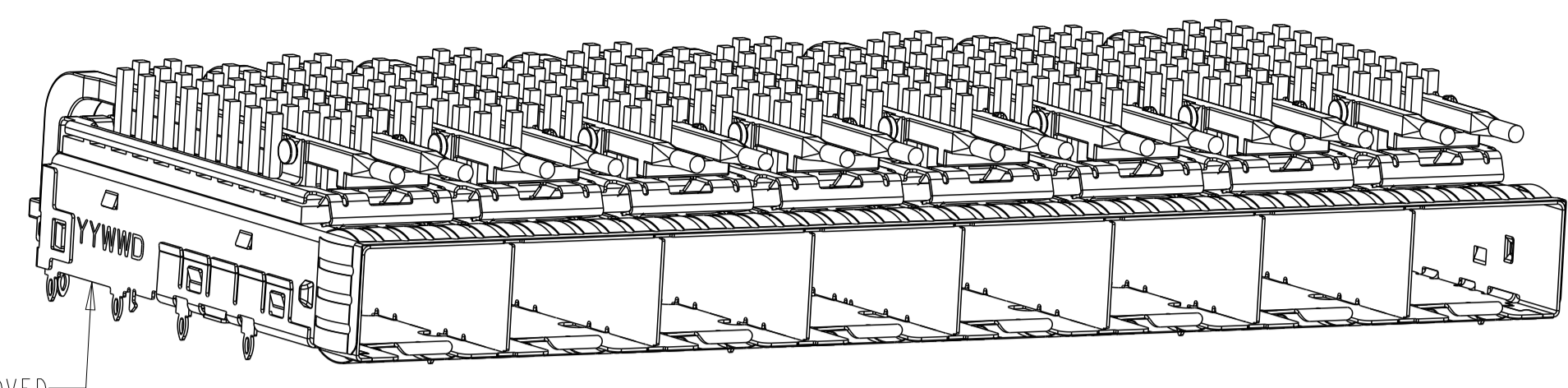
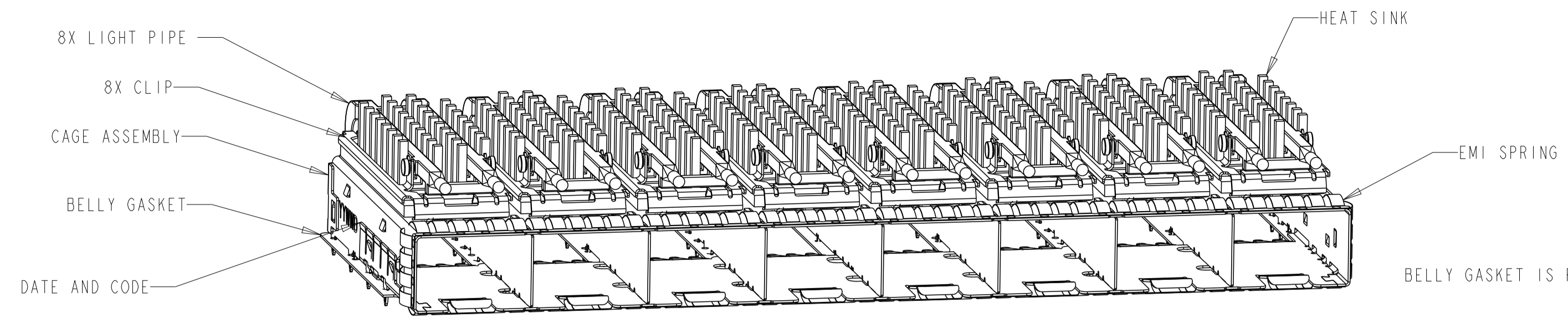


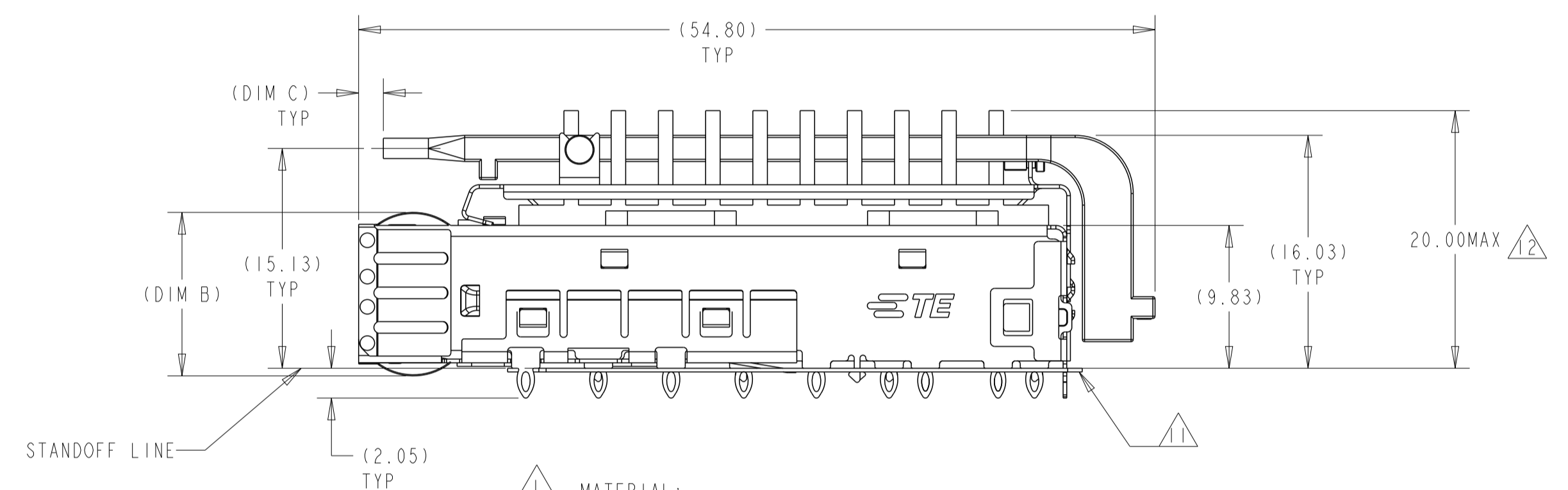
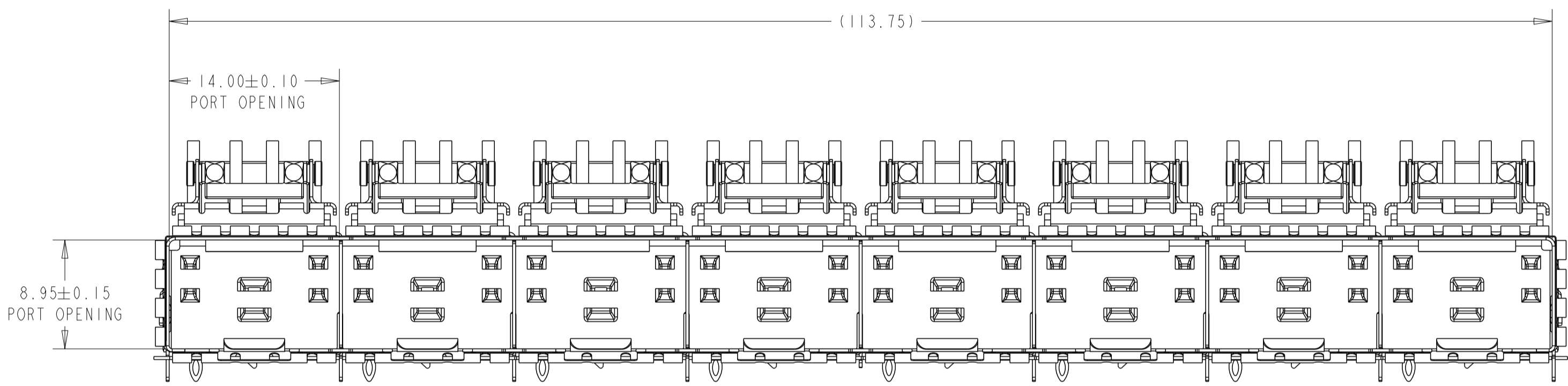
LOC		DIST		REVISIONS			
P	LYN	DESCRIPTION	DATE	DWN	APVD		
B3		REVISE PER ECN-23-234587	16OCT2023	KH	SZ		
B4		REVISED PER ECN-24-282318	29AUG2024	KH	SZ		



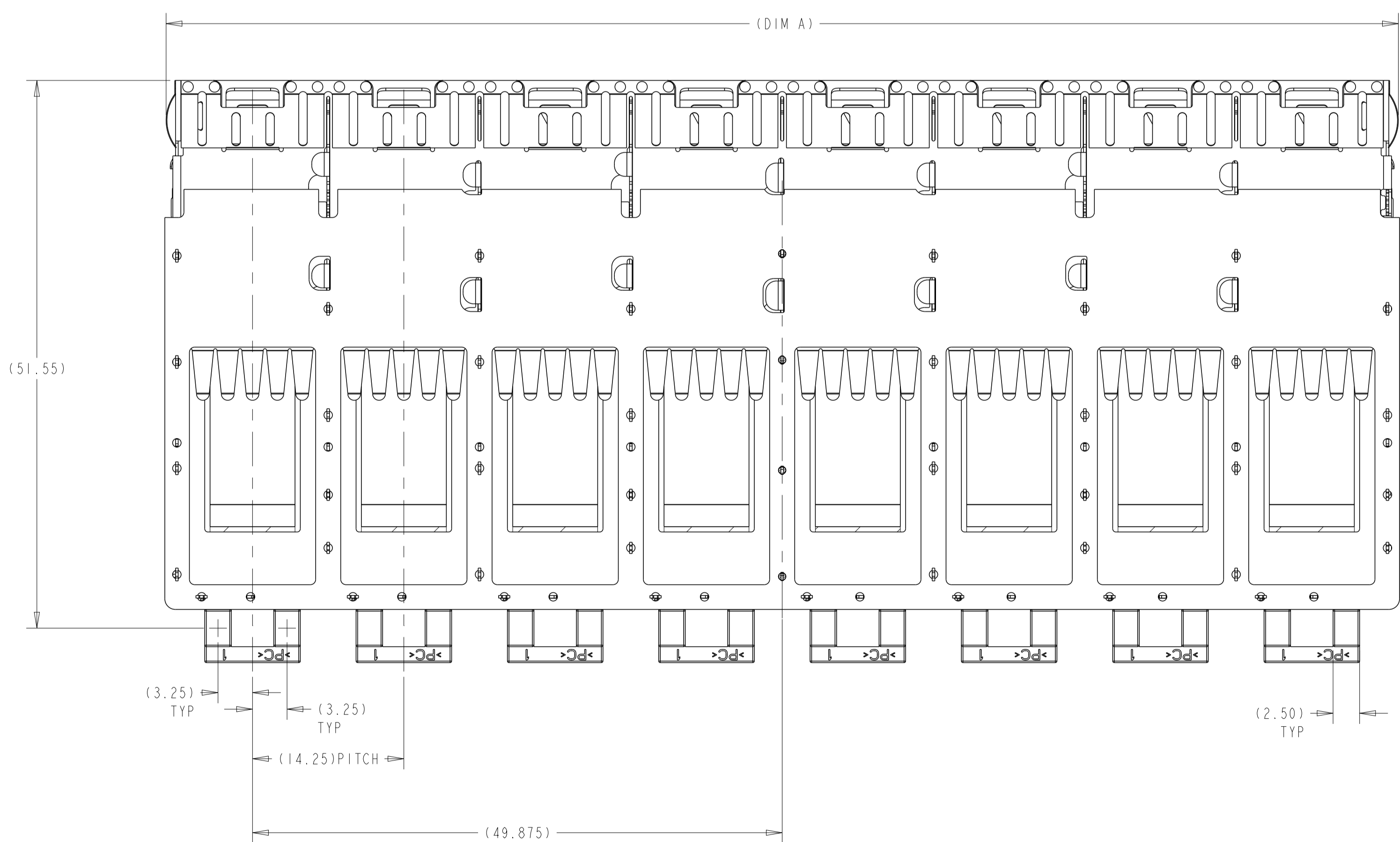
SCALE 2:1

1-2294408-1, DIMENSIONS SAME AS 2294408-1
 SCALE 2:1

2294408-1
 SCALE 3:1



- 1 MATERIAL:
 CAGE ASSEMBLY: NICKEL SILVER ALLOY, (0.25mm)
 PCB GASKET: RF ABSORBER
 EMI SPRINGS: PHOSPHOR BRONZE
 LIGHT PIPE&HEATSINK CLIP: STAINLESS STEEL
 LIGHT PIPE: POLYCARBONATE, CLEAR
 HEATSINK: ALUMINUM
- 2 MINIMUM PC BOARD THICKNESS:
 SINGLE SIDE = 1.45mm
 BELLY TO BELLY = 2.25mm
- 3 PADS AND VIAS CHASSIS GROUND
- 4 DATUM AND BASIC DIMENSION ESTABLISHED BY CUSTOMER
- 5. MATES WITH SFP MSA COMPLIANT TRANSCEIVERS
- 6. INTERPRETATION OF DATUM REFERENCE FRAME IN ACCORDANCE WITH SECT 4.4.1.1 OF ASME Y14.5M-1994
- 7 REFERENCE APPLICATION SPEC. 114-13120, HOLE A, FOR RECOMMENDED DRILL HOLE DIAMETER AND PLATING THICKNESS
- 8 REFERENCE APPLICATION SPEC. 114-13120, HOLE B, FOR RECOMMENDED DRILL HOLE DIAMETER AND PLATING THICKNESS
- 9 HOLE PATTERN REPEATS FOR EACH PORT, SPACING BETWEEN PORTS IS 14.25mm
- 10. PRODUCT COMPLIES WITH SPECIFICATION SFF-8433, IMPROVED PLUGGABLE FORM FACTOR FOR SFP+ GANGED CAGES
- 11 CONTACT STANDOFF WILL PIERCE GASKET WHEN PROPERLY PRESSED INTO PCB.
- 12 DIMENSION APPLIES WITH MODULE INSERTED IN CAGE.
- 13 BELLY GASKET IS REMOVED



3.8	11.25	116.04	14.2 MAX HEIGHT, PIN TYPE	DUAL, STANDARD HEIGHT&LENGTH	2-2294408-2
3.8	11.25	116.04	20.0 MAX HEIGHT, PIN TYPE	DUAL, STANDARD HEIGHT&LENGTH	2-2294408-1
-	10.85	115.64	14.2 MAX HEIGHT, PIN TYPE	NA	1-2294408-2
1.7	10.85	115.64	20.0 MAX HEIGHT, PIN TYPE	DUAL, STANDARD HEIGHT&LENGTH	1-2294408-1
1.7	11.25	116.04	17.0 MAX HEIGHT, PIN TYPE	DUAL, STANDARD HEIGHT&LENGTH	2294408-5
1.7	11.25	116.04	17.0 MAX HEIGHT, PIN TYPE	DUAL, STANDARD HEIGHT&LENGTH	2294408-4
1.7	11.25	116.04	20.0 MAX HEIGHT, PIN TYPE	DUAL, STANDARD HEIGHT&LENGTH, COATED	2294408-3
-	11.25	116.04	14.2 MAX HEIGHT, PIN TYPE	NA	2294408-2
1.7	11.25	116.04	20.0 MAX HEIGHT, PIN TYPE	DUAL, STANDARD HEIGHT&LENGTH	2294408-1
DIM C	DIM B	DIM A	HEATSINK DESC	LIGHT PIPE DESC	PART NUMBER

THIS DRAWING IS A CONTROLLED DOCUMENT. DIMENSIONING AND TOLERANCING PER ASME Y14.5M-2009. TOLERANCES UNLESS OTHERWISE SPECIFIED:

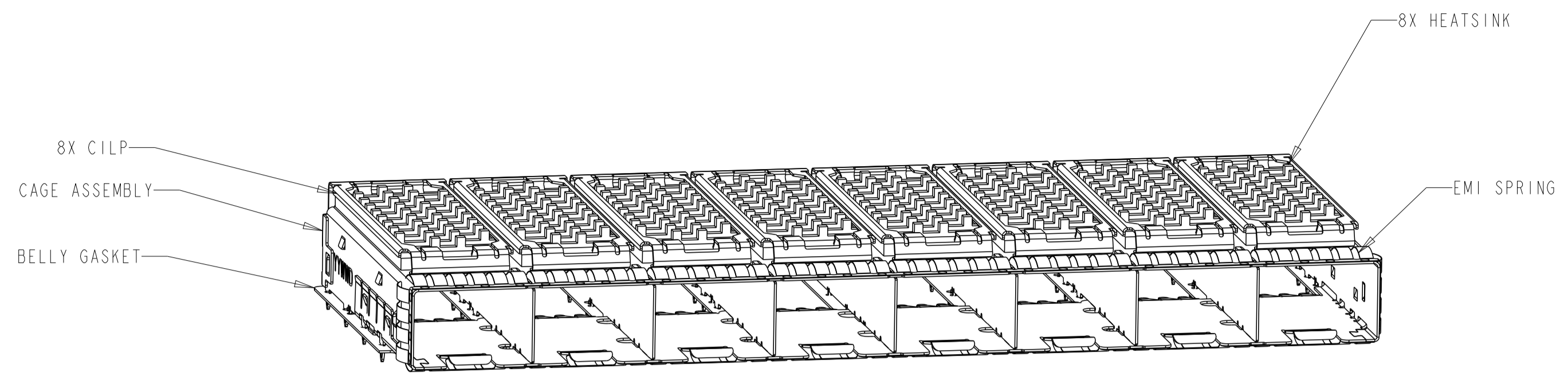
DIMENSIONS:	TOLERANCES UNLESS OTHERWISE SPECIFIED:
mm	0 PLC ±0.25
	1 PLC ±0.25
	2 PLC ±0.25
	3 PLC ±0.25
	4 PLC ±0.25
ANGLES	±°
FINISH	±μm

MATERIAL: SEE NOTES. FINISH: SEE NOTES.

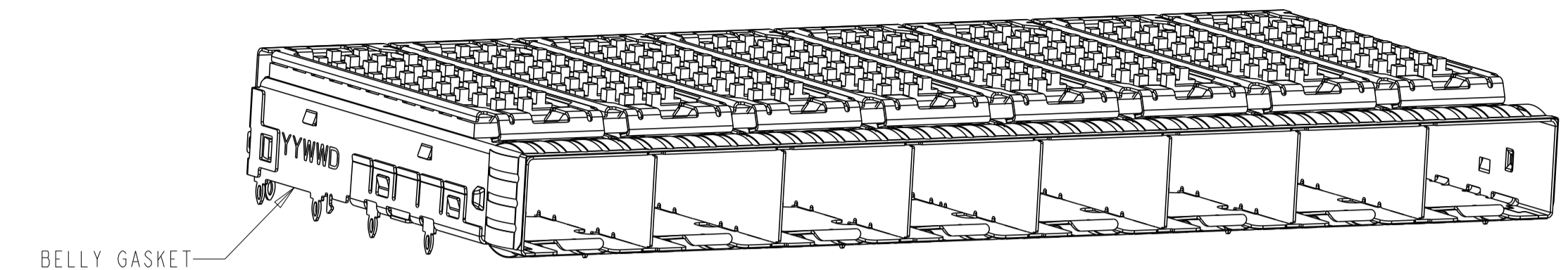
OWN: REVIN 24JUL2015	NAME: SEAN HAN
CHK: SEAN HAN 24JUL2015	PRODUCT SPEC: -
APVD: SEAN HAN 24JUL2015	APPLICATION SPEC: -
SIZE: A1	SCALE: 3:1
WEIGHT: -	SHEET: 1 OF 6
CUSTOMER DRAWING	REV: B4

STE TE Connectivity
 CAGE ASSEMBLY, PRESS-FIT, EMI SPRINGS, 1X8, zSFP+

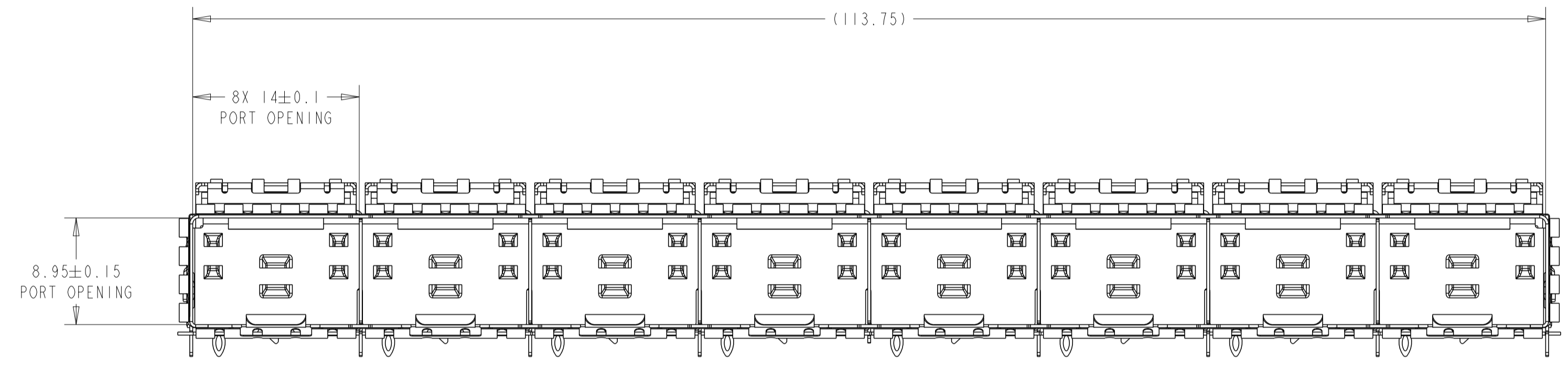
LOC		DIST		REVISIONS			
P	LYR	DESCRIPTION	DATE	OWN	APVD		
-	-	SEE SHEET 1	-	-	-		



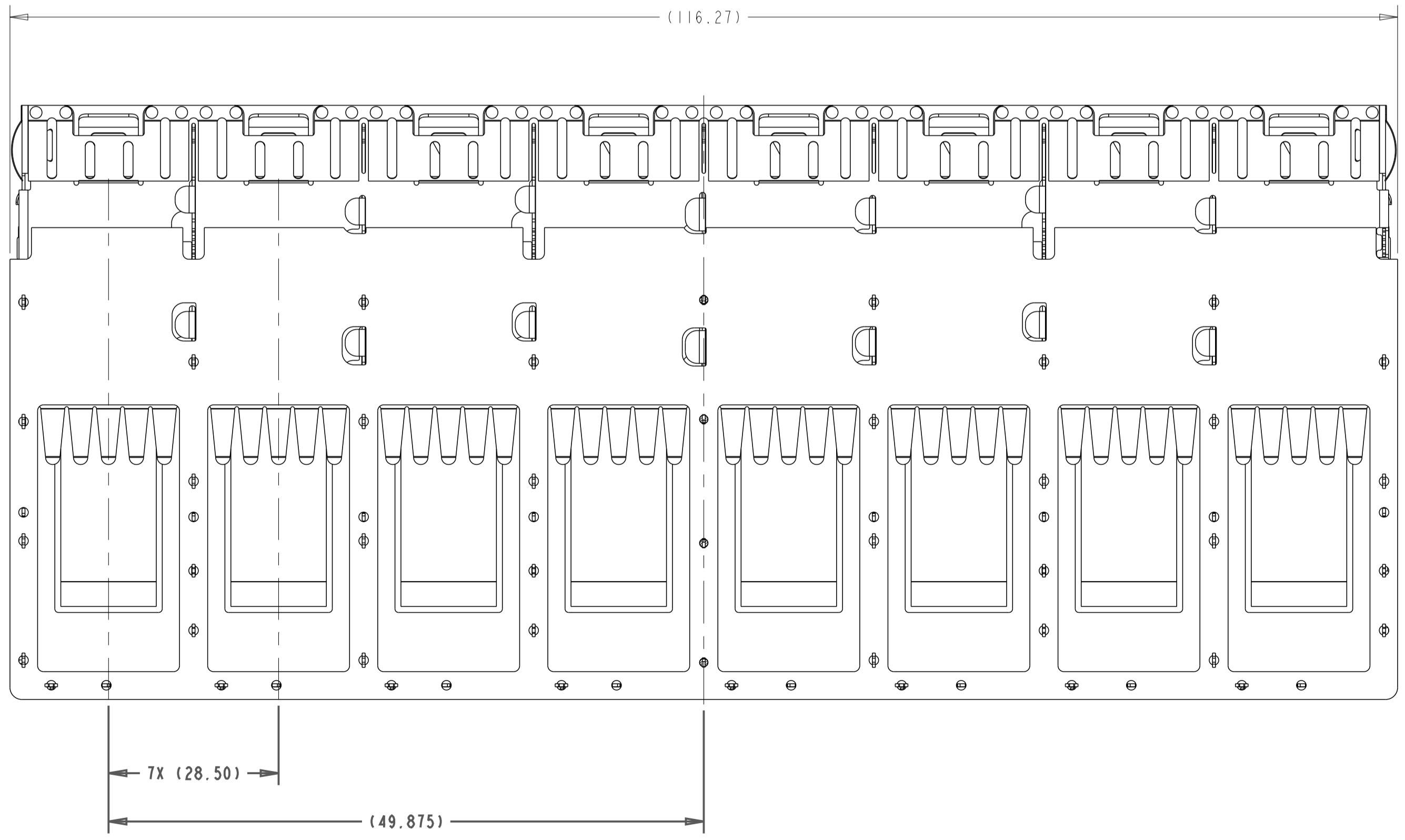
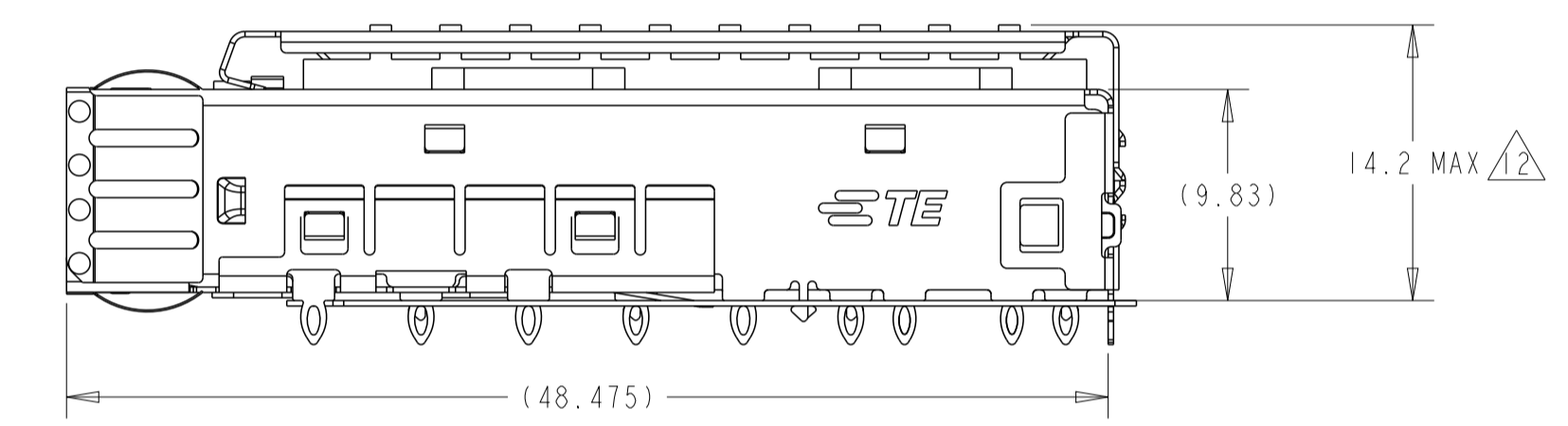
2294408-2
SCALE 2:1



BELLY GASKET IS REMOVED
 1-2294408-2, DIMENSIONS SAME AS 2294408-2
 SCALE 2:1

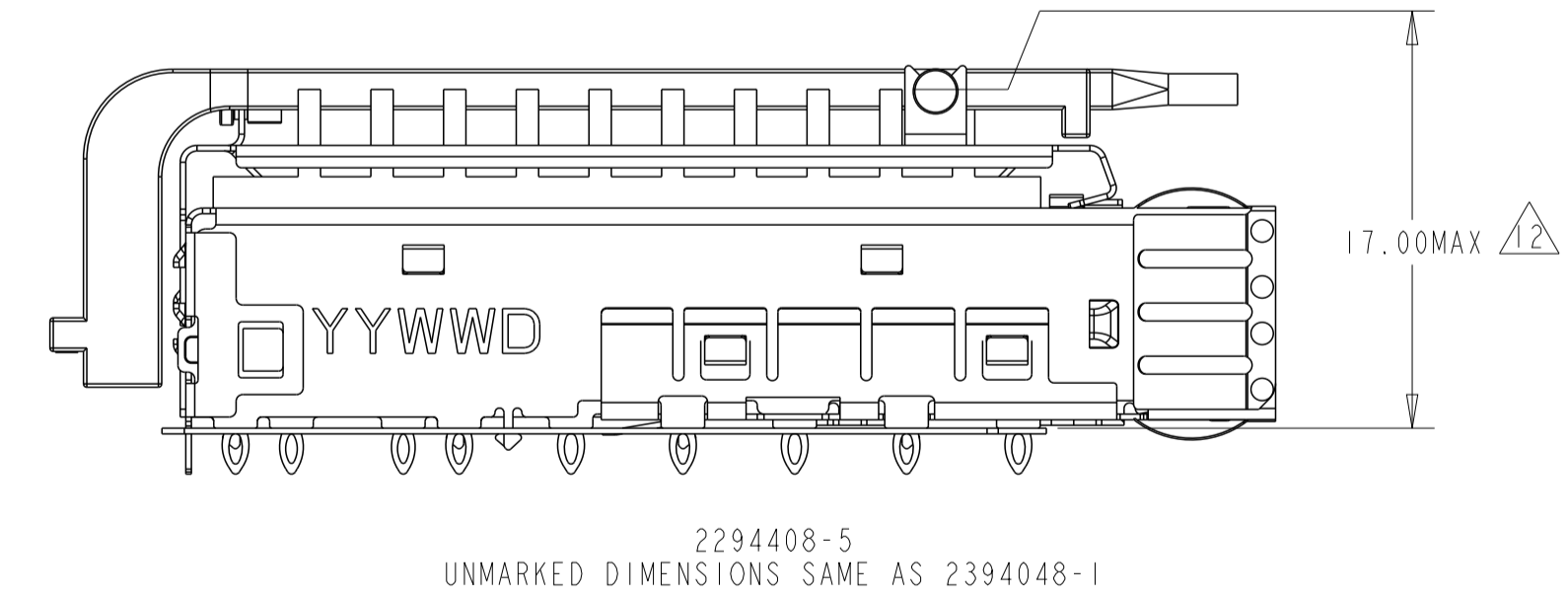
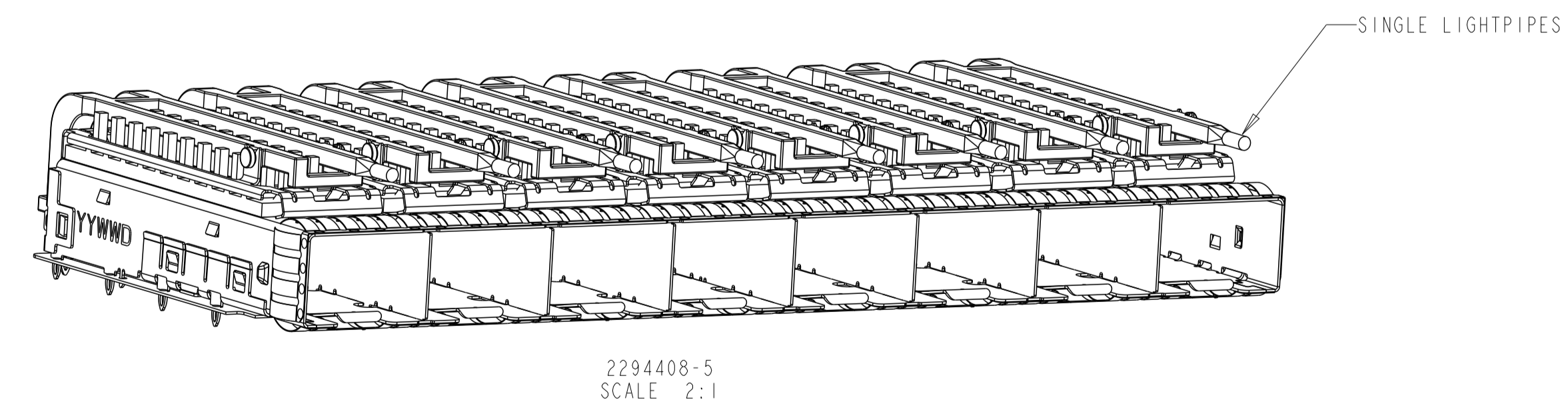
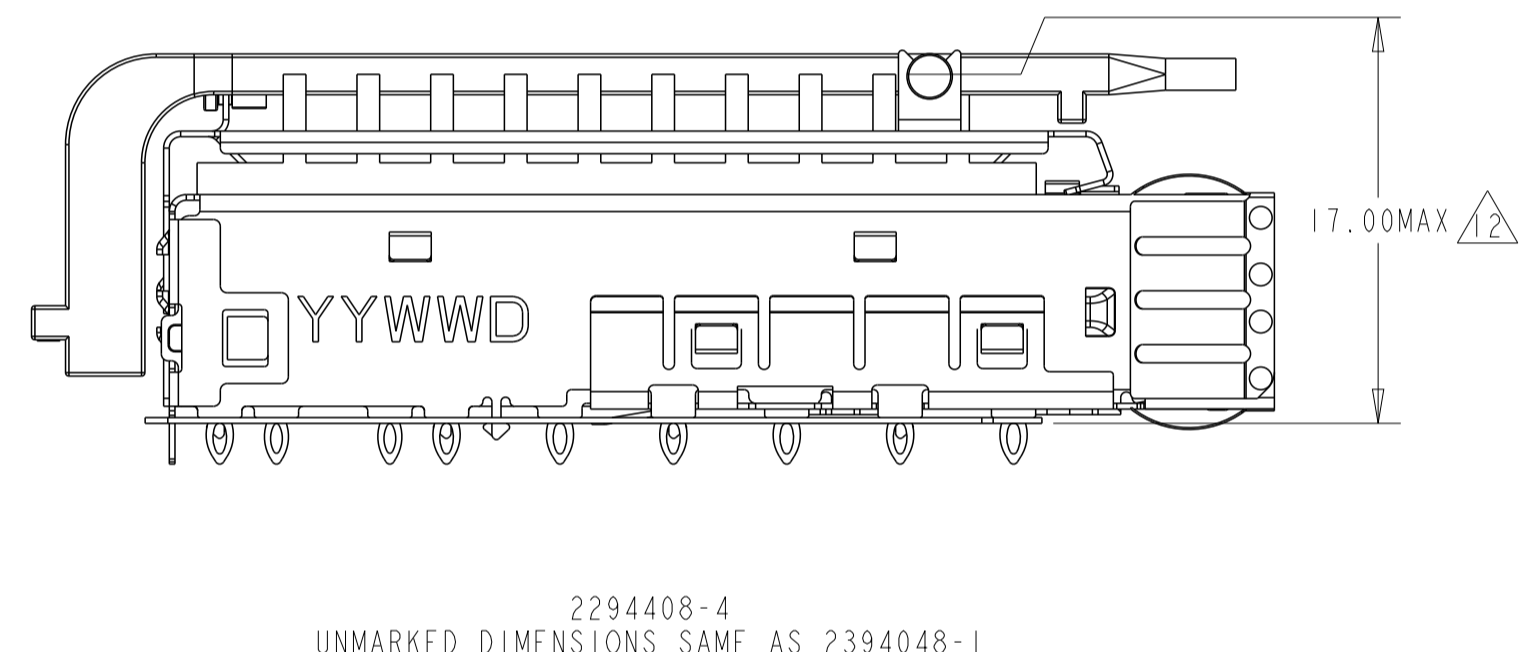
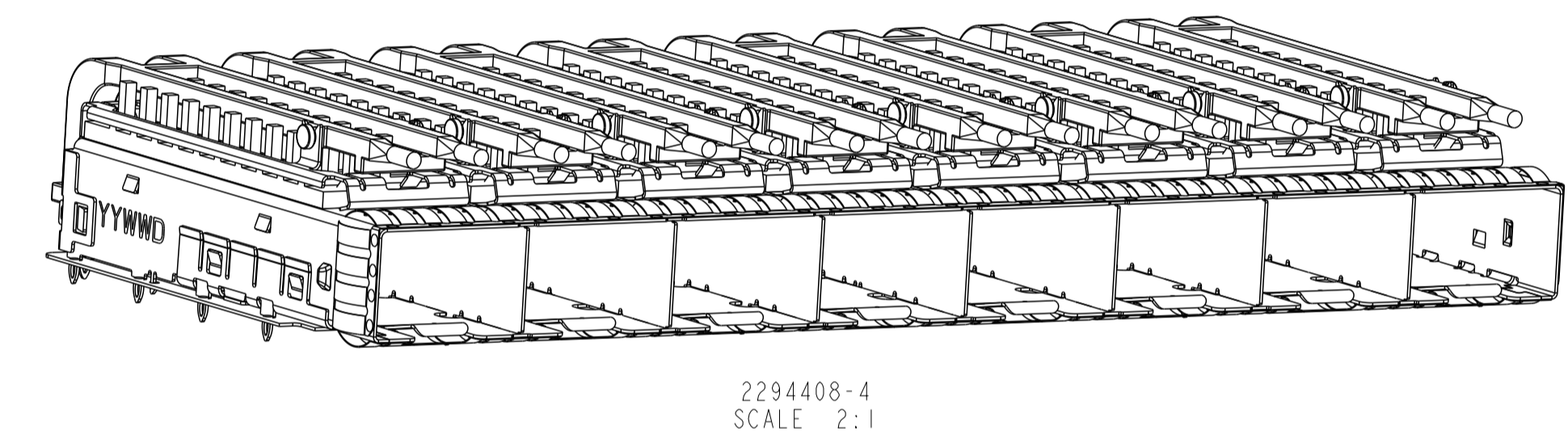
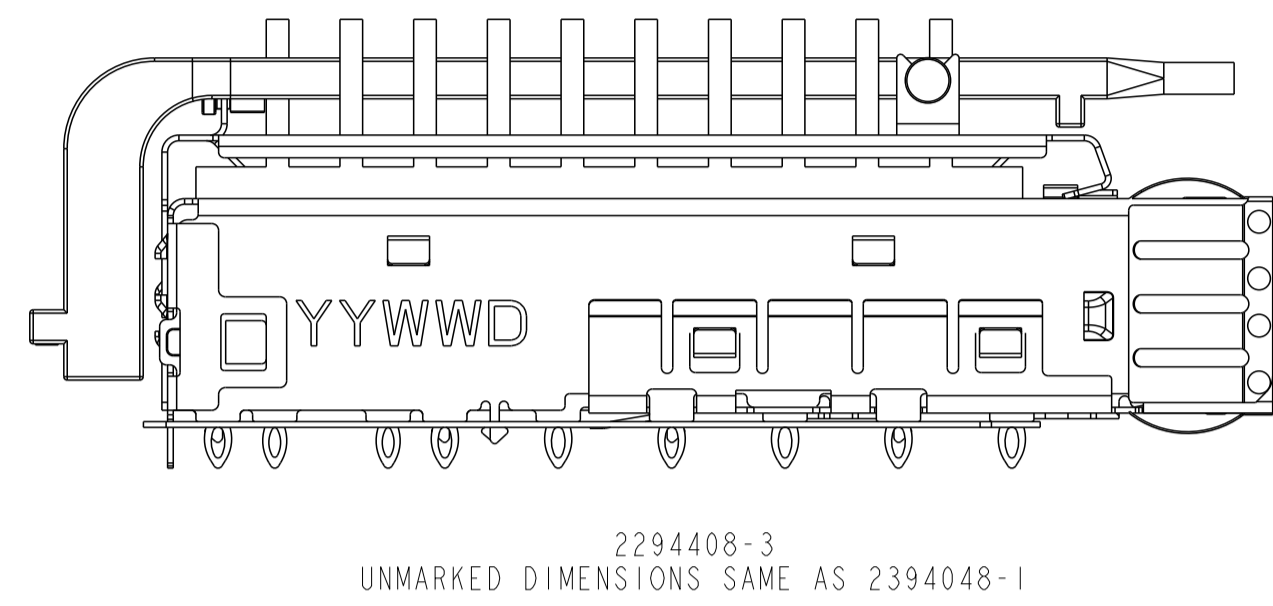
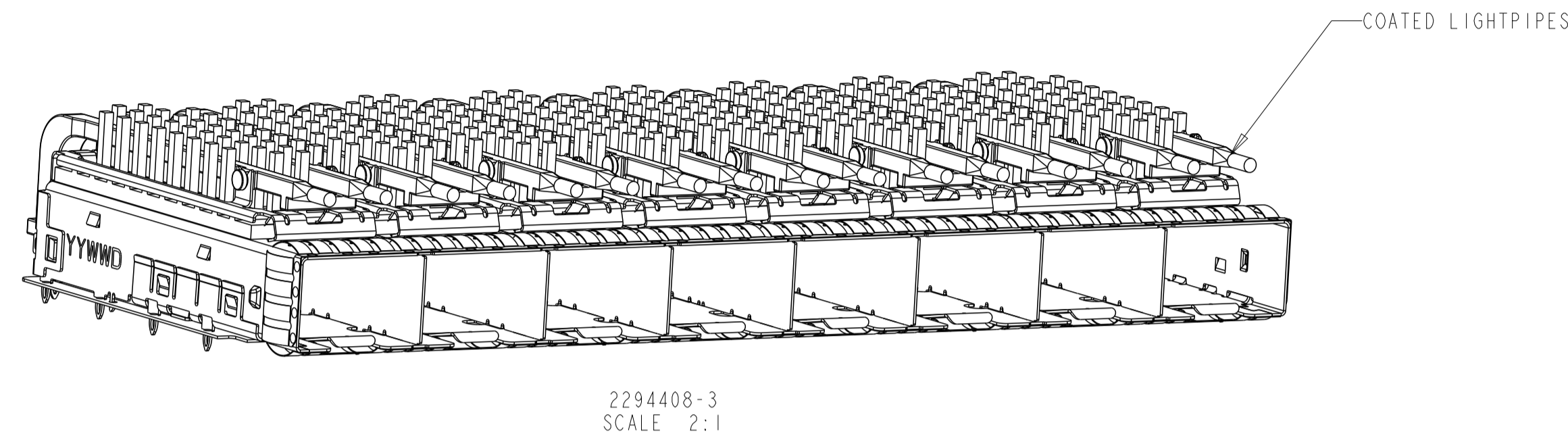


SCALE 3:1



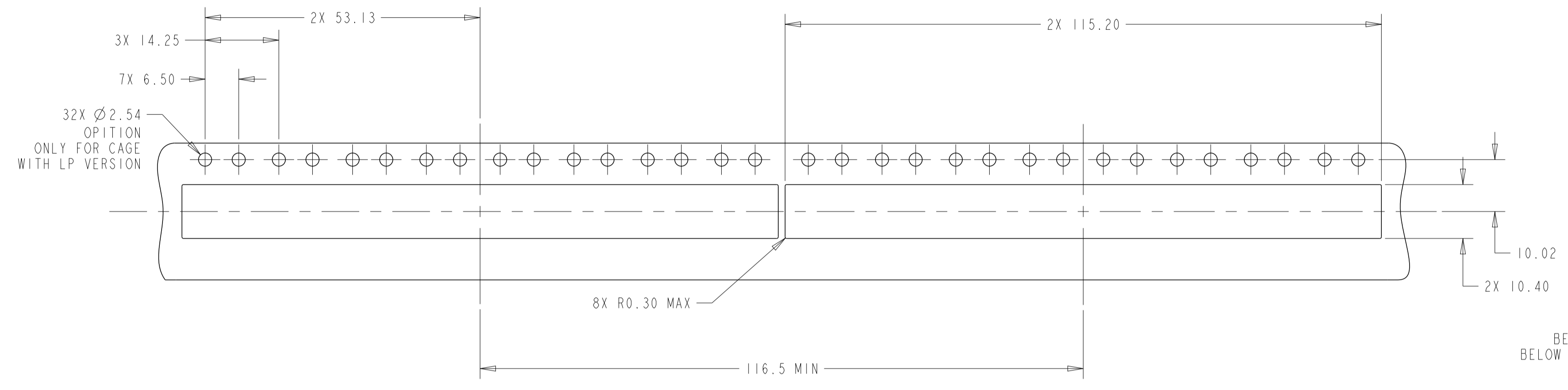
THIS DRAWING IS A CONTROLLED DOCUMENT. DIMENSIONING AND TOLERANCING PER ASME Y14.5M-2009		OWN: REVIN 24JUL2015	TE Connectivity
DIMENSIONS: mm		CHK: SEAN HAN 24JUL2015	
TOLERANCES UNLESS OTHERWISE SPECIFIED:		APVD: SEAN HAN 24JUL2015	NAME: CAGE ASSEMBLY, PRESS-FIT, EMI SPRINGS, 1X8, zSFP+
0 PLC ±0.25	1 PLC ±0.25	PRODUCT SPEC	SIZE: A1
2 PLC ±0.25	3 PLC ±0.25	APPLICATION SPEC	CAGE CODE: 00779
4 PLC ±0.25	ANGLES ±°	FINISH ±μm	DRAWING NO: 2294408
MATERIAL: SEE NOTES	FINISH: SEE NOTES	WEIGHT: -	RESTRICTED TO: -
CUSTOMER DRAWING		SCALE: 3:1	SHEET 2 OF 6 REV B4

LOC		DIST		REVISIONS				
P	LYR	DATE	DMN	APVD	DESCRIPTION	DATE	DMN	APVD
-	-	-	-	-	SEE SHEET 1	-	-	-

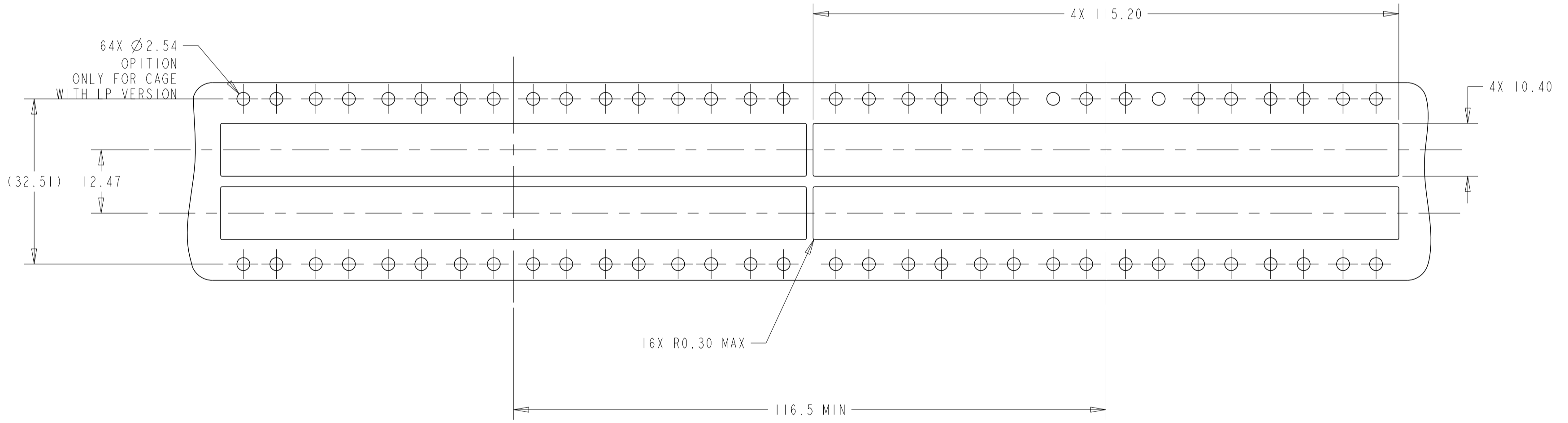


THIS DRAWING IS A CONTROLLED DOCUMENT. DIMENSIONING AND TOLERANCING PER ASME Y14.5M-2009		OWN: REVIN 24JUL2015	TE Connectivity
DIMENSIONS: mm		CHK: SEAN HAN 24JUL2015	
TOLERANCES UNLESS OTHERWISE SPECIFIED:		APVD: SEAN HAN 24JUL2015	NAME: CAGE ASSEMBLY, PRESS-FIT, EMI SPRINGS, 1X8, zSFP+
0 PLC ±0.25 1 PLC ±0.25 2 PLC ±0.25 3 PLC ±0.25 4 PLC ±0.25 ANGLES ±° FINISH ±μm		PRODUCT SPEC: -	
MATERIAL: SEE NOTES		APPLICATION SPEC: -	RESTRICTED TO: -
WEIGHT: -		SIZE: A1	CAGE CODE: 00779
CUSTOMER DRAWING		DRAWING NO: C=2294408	SCALE: 3:1
		SHEET: 3	OF: 6
		REV: B4	

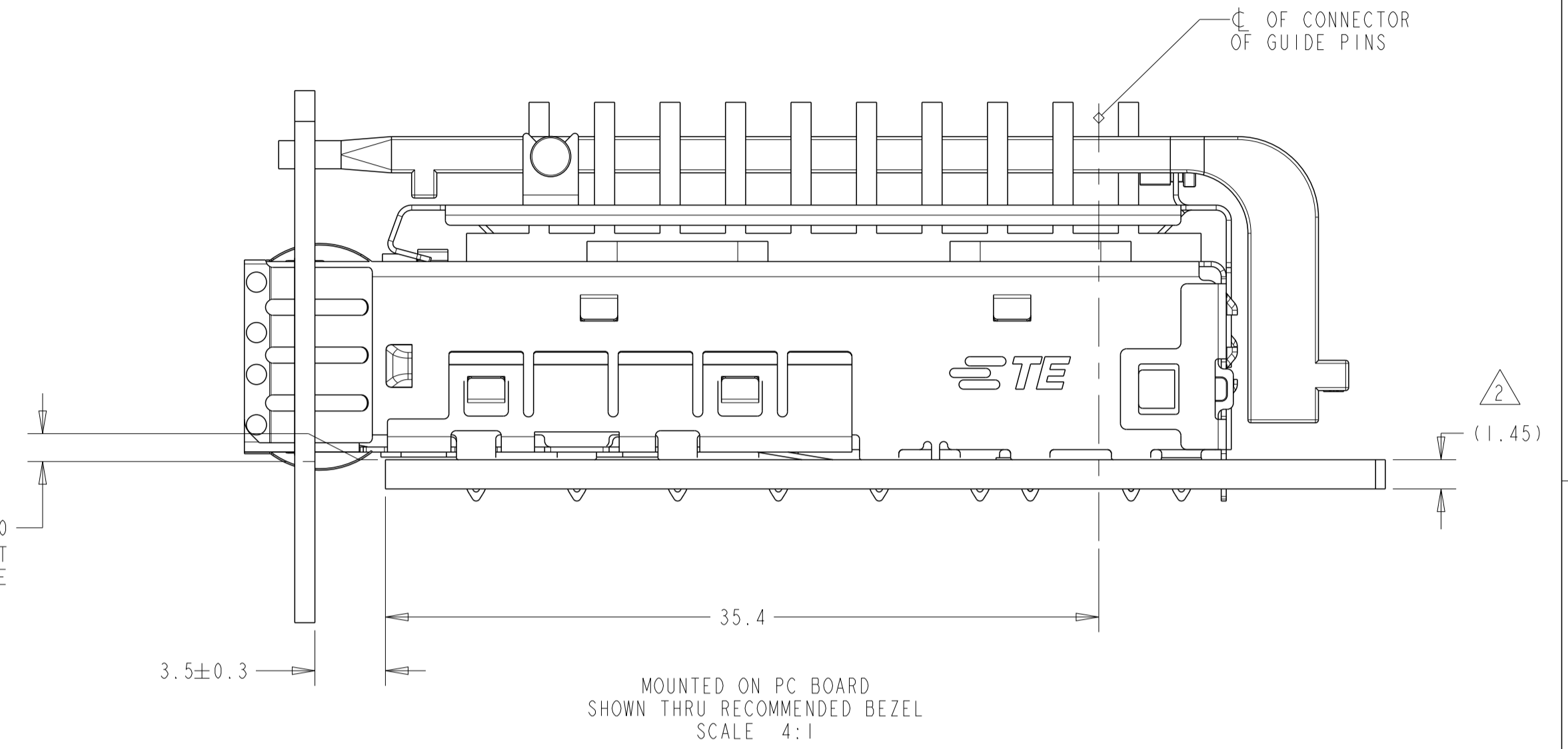
LOC		DIST		REVISIONS			
GP	00	P	LTN	DESCRIPTION	DATE	OWN	APVD
-	-	-	-	SEE SHEET 1	-	-	-



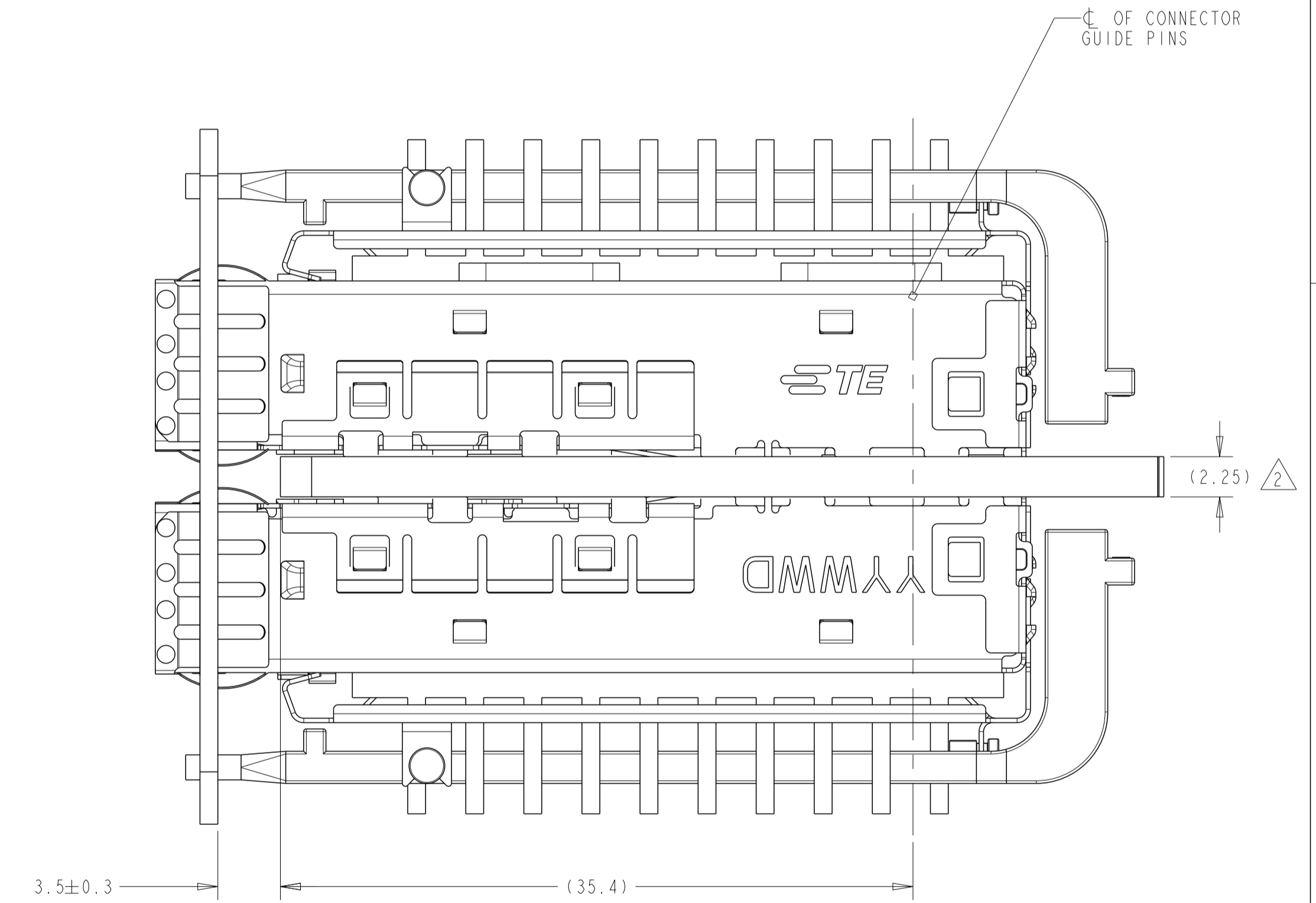
RECOMMENDED BEZEL OPENING
 SINGLE SIDED APPLICATIONS
 SCALE 3:2



RECOMMENDED BEZEL OPENING
 BELLY TO BELLY APPLICATION
 SCALE 3:2



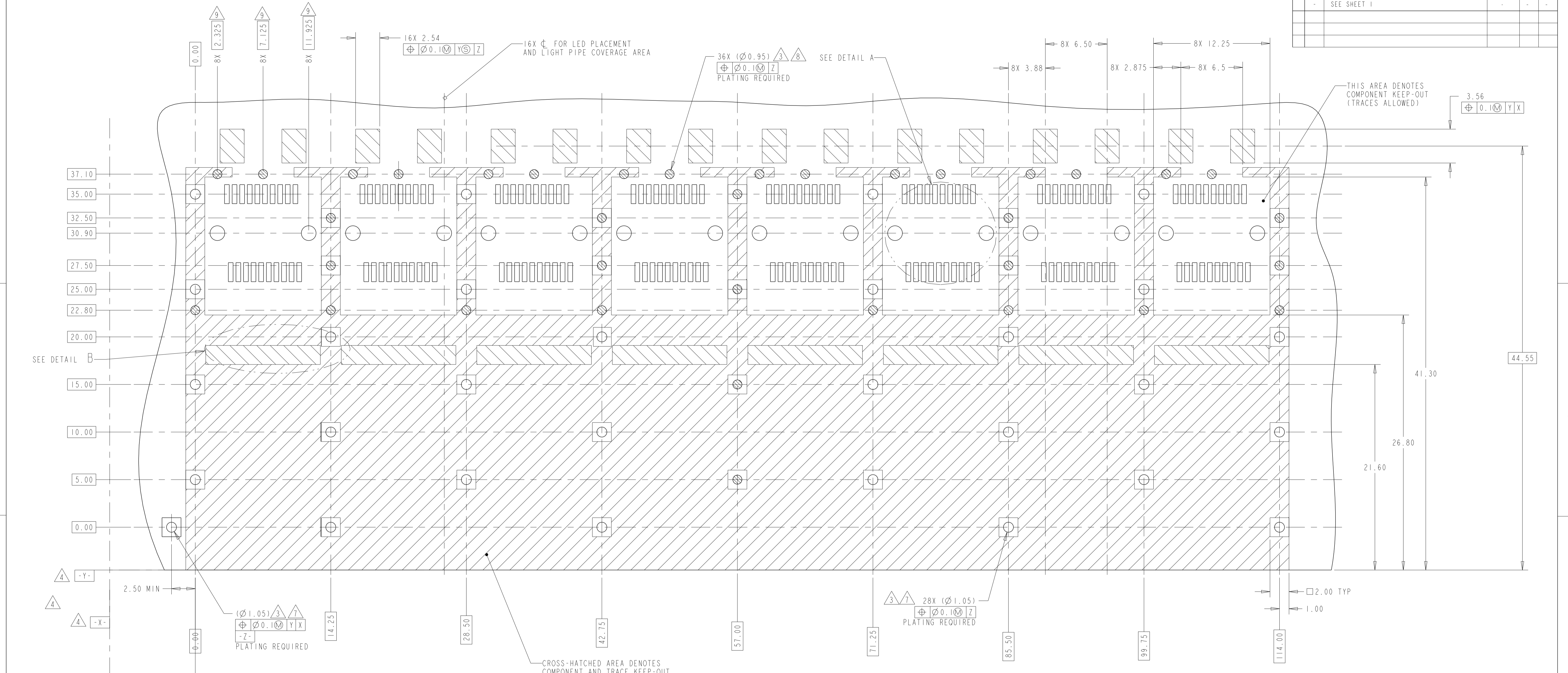
MOUNTED ON PC BOARD
 SHOWN THRU RECOMMENDED BEZEL
 SCALE 4:1



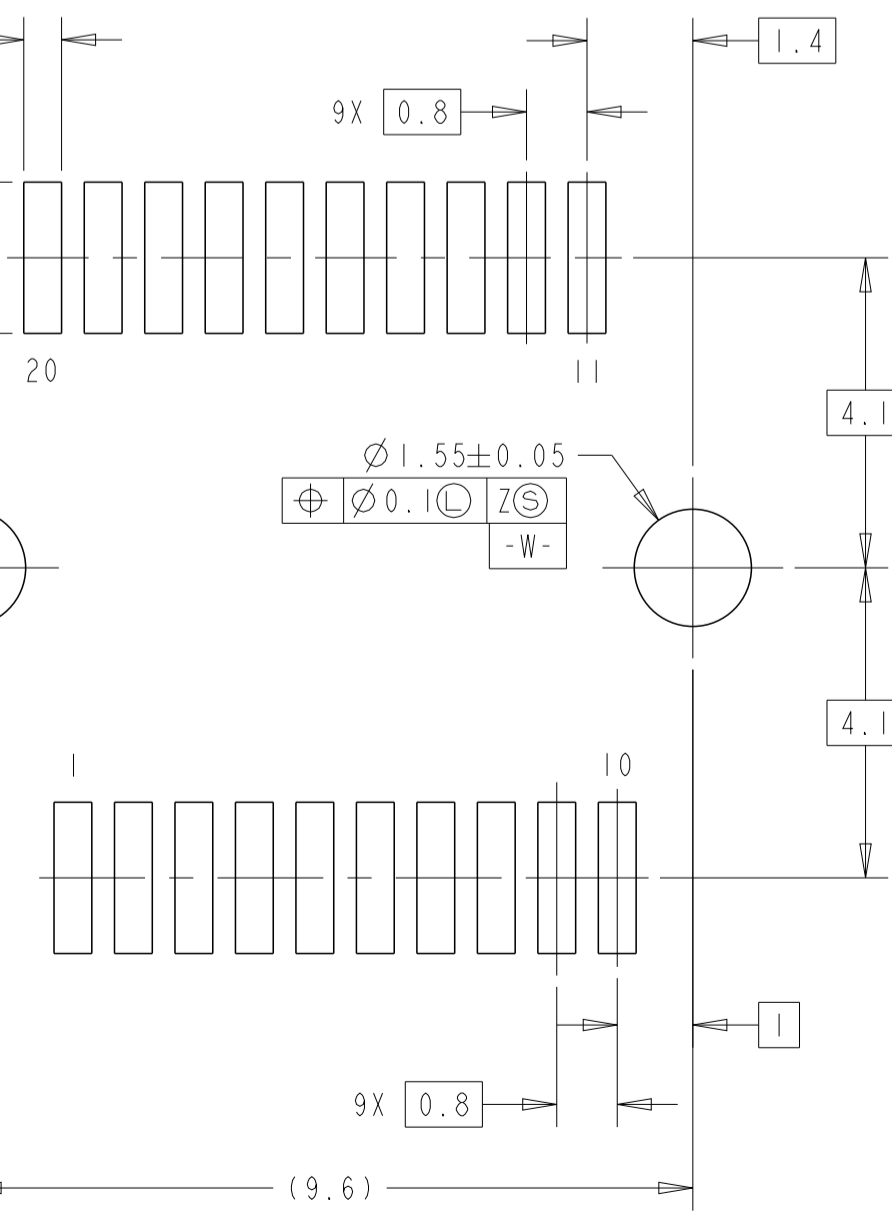
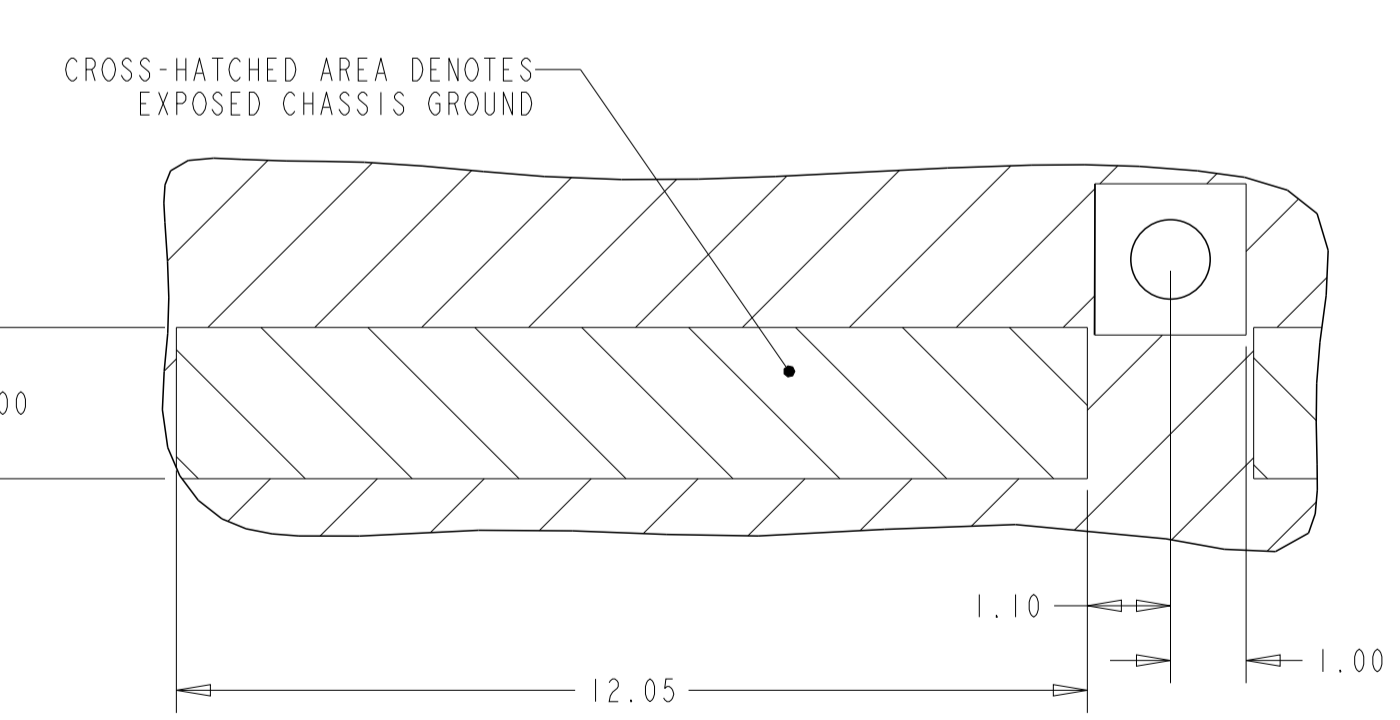
MOUNTED BELLY TO BELLY ON PC BOARD
 SHOWN THRU RECOMMENDED BEZEL
 SCALE 4:1

THIS DRAWING IS A CONTROLLED DOCUMENT. DIMENSIONING AND TOLERANCING PER ASME Y14.5M-2009		OWN: REVIN 24JUL2015	TE Connectivity NAME: CAGE ASSEMBLY, PRESS-FIT, EMI SPRINGS, 1X8, zSFP+
DIMENSIONS: mm		CHK: SEAN HAN 24JUL2015	
TOLERANCES UNLESS OTHERWISE SPECIFIED:		APVD: SEAN HAN 24JUL2015	SIZE: A1
0 PLC ±0.25	1 PLC ±0.25	PRODUCT SPEC	CAGE CODE: 00779
2 PLC ±0.25	3 PLC ±0.25	APPLICATION SPEC	DRAWING NO: C=2294408
4 PLC ±	ANGLES ±°	FINISH	RESTRICTED TO: -
MATERIAL: SEE NOTES	FINISH: SEE NOTES	WEIGHT: -	SCALE: 4:1
CUSTOMER DRAWING		SHEET: 4 OF 6	REV: B4

LOC	DIST	REVISIONS			
P	LTN	DESCRIPTION	DATE	DMN	APVD
-	-	SEE SHEET 1	-	-	-



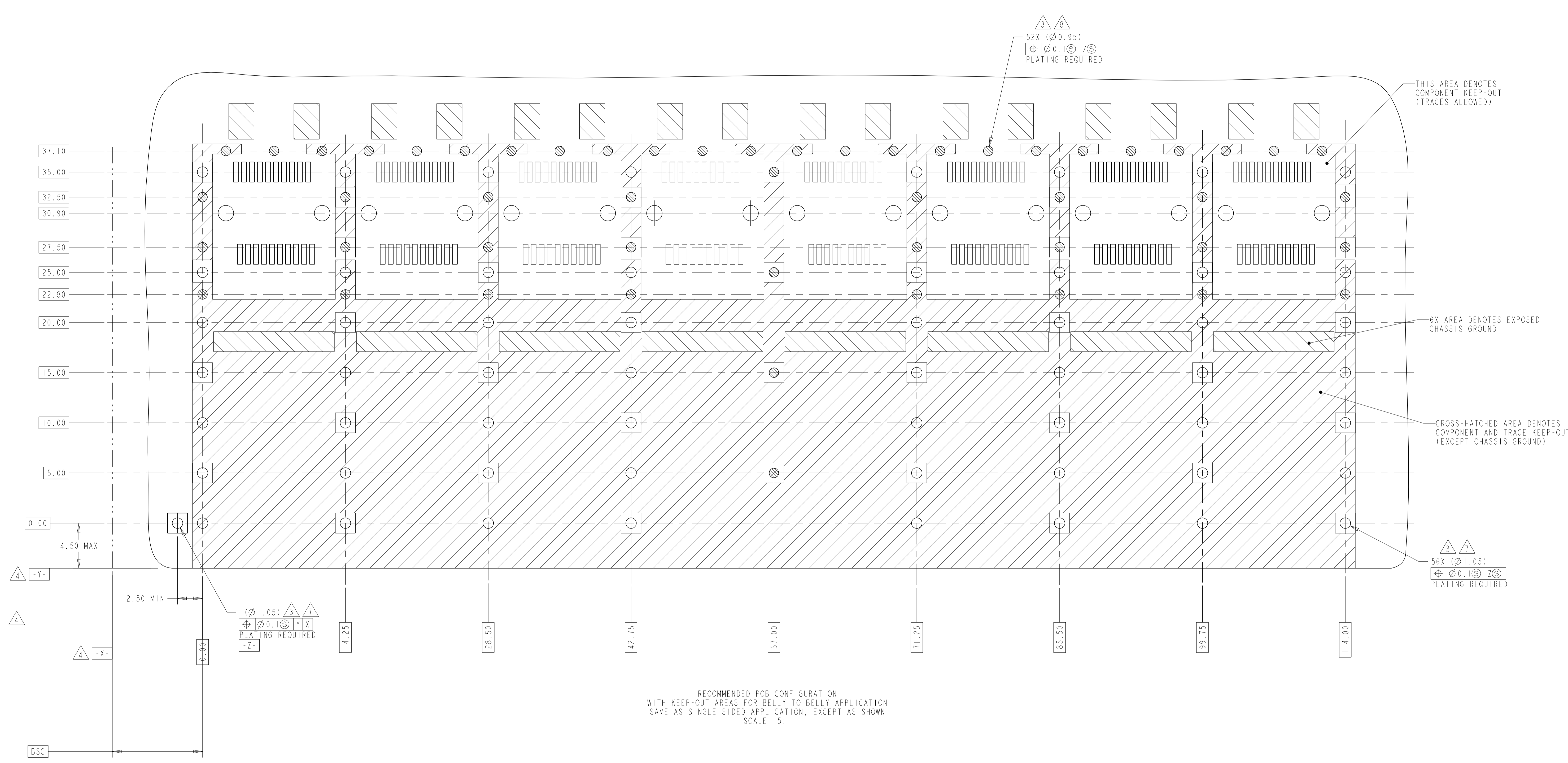
RECOMMENDED PCB CONFIGURATION
 WITH KEEP-OUT AREAS FOR SINGLE SIDED APPLICATION
 SCALE 5:1



DETAIL SEE DETAIL A
 6X INDIVIDUALLY
 SCALE 10:1

THIS DRAWING IS A CONTROLLED DOCUMENT. DIMENSIONING AND TOLERANCING PER ASME Y14.5M-2009. TOLERANCES UNLESS OTHERWISE SPECIFIED:		DMN: REVIN 24JUL2015	TE Connectivity
DIMENSIONS: mm		CHK: SEAN HAN 24JUL2015	
0 PLC ±0.1 1 PLC ±0.1 2 PLC ±0.08 3 PLC ±0.05 4 PLC ± ANGLES ±°		APVD: SEAN HAN 24JUL2015	
MATERIAL: SEE NOTES		FINISH: SEE NOTES	NAME: CAGE ASSEMBLY, PRESS-FIT, EMI SPRINGS, 1X8, zSFP+ SIZE: A1 CAGE CODE: 00779 DRAWING NO: 2294408 WEIGHT: - CUSTOMER DRAWING
SCALE: 4:1			SHEET 5 OF 6 REV B4

LOC	DIST	REVISIONS			
P	LTN	DESCRIPTION	DATE	OWN	APVD
-	-	SEE SHEET 1	-	-	-



RECOMMENDED PCB CONFIGURATION
 WITH KEEP-OUT AREAS FOR BELLY TO BELLY APPLICATION
 SAME AS SINGLE SIDED APPLICATION, EXCEPT AS SHOWN
 SCALE 5:1

THIS DRAWING IS A CONTROLLED DOCUMENT. DIMENSIONING AND TOLERANCING PER ASME Y14.5M-2009		OWN: REVIN 24JUL2015	 TE Connectivity
DIMENSIONS: mm		CHK: SEAN HAN 24JUL2015	
TOLERANCES UNLESS OTHERWISE SPECIFIED:		APVD: SEAN HAN 24JUL2015	NAME: CAGE ASSEMBLY, PRESS-FIT, EMI SPRINGS, 1X8, zSFP+
0 PLC ±0.1 1 PLC ±0.1 2 PLC ±0.08 3 PLC ±0.05 4 PLC ± ANGLES ±1°		PRODUCT SPEC: -	
MATERIAL: SEE NOTES		APPLICATION SPEC: -	RESTRICTED TO: -
FINISH: SEE NOTES		WEIGHT: -	SIZE: A1
CUSTOMER DRAWING		CAGE CODE: 00779	DRAWING NO: C=2294408
SCALE: 4:1		SHEET: 6 OF 6	REV: B4