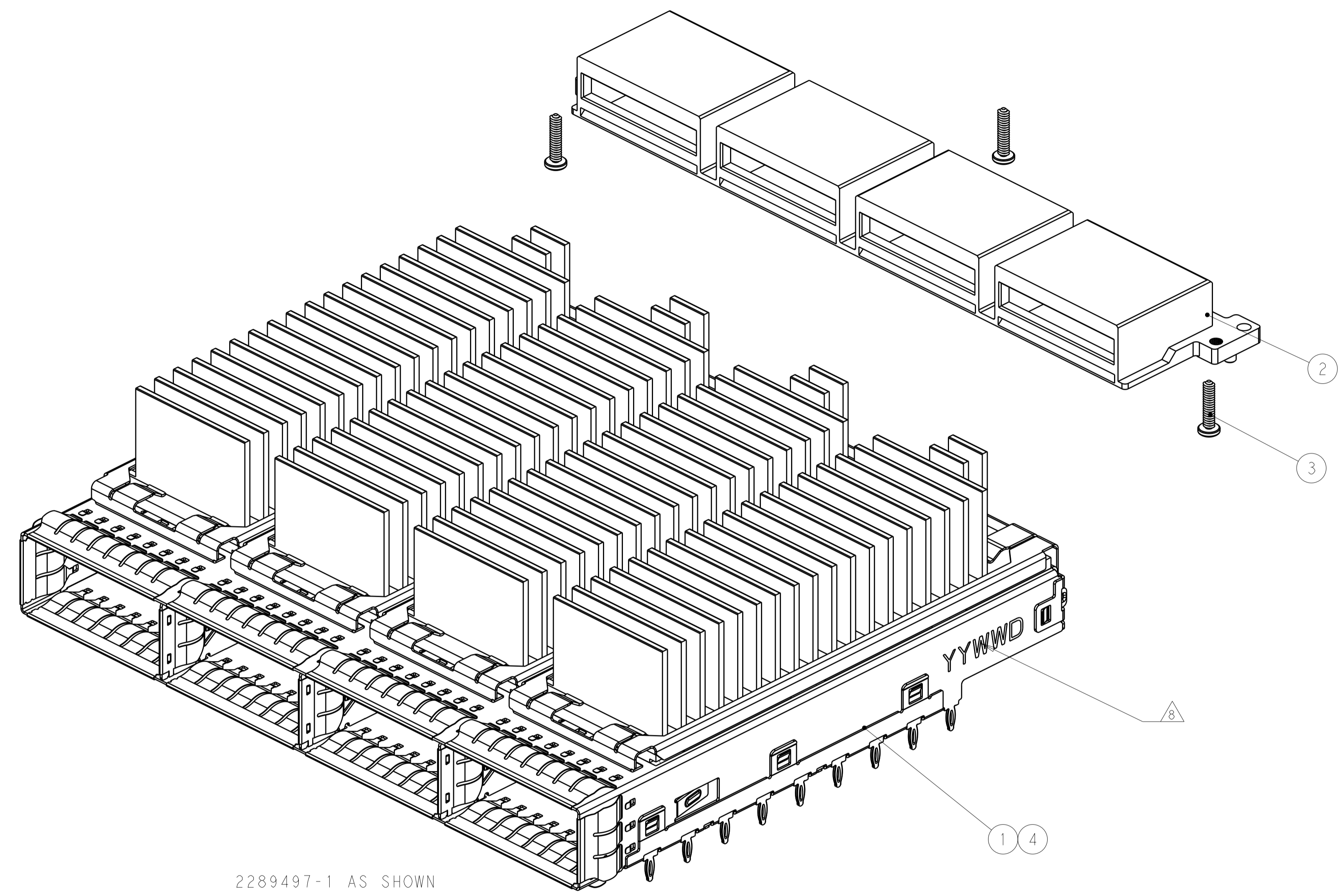


LOC	DIST	REVISIONS					
GP	00	P	LTN	DESCRIPTION	DATE	DWN	APVD
		2		REVISED THE DRAFT	29JUN2015	TX	SH
		3		ADDED D/C DESCRIPTION TO NOTE	03JUL2015	TX	SH
		5		ADDED DASH NUMBER 2289497-3	10JAN2017	TX	SH
		6		OBSOLETE	13AUG2020	IT	SH

- ⚠ MATERIAL:
 CAGE- 0.3MM THICK NICKEL SILVER ALLOY;
 EMI SPRING- COPPER ALLOY;
 HEAT SINK CLIP- STAINLESS STEEL;
 HEAT SINK- ALUMINUM ALLOY;
 RECEPTACLE COVER- ZINC ALLOY;
- ⚠ FINISH:
 EMI SPRING- 1.27um NICKEL PLATING OVER ALL;
 HEAT SINK- BLACK ANODIZED COATING;
 RECEPTACLE COVER- 1.27um MIN NICKEL PLATING OVER COPPER PLATING;
 HEAT SINK CLIP- PASSIVATE;
- 3 MATES WITH CFP MSA COMPLIANT TRANSCEIVERS.
- ⚠ DATUM AND BASIC DIMENSION ESTABLISHED BY CUSTOMER.
- 5 MINIMUM PC BOARD THICKNESS: SIGLE SIDE APPLICATIONS=2.99±0.63mm.
- ⚠ PADS AND VIAS CHASSIS GROUND;
- ⚠ REFERENCE APPLICATION SPEC 114-XXXX,HOLE A, FOR RECOMMENDED DRILL HOLE DIAMETER AND PLATING THICKNESS.
- ⚠ DATE CODE MADE IN APPROXIMATE AREA



2289497-1 AS SHOWN

OBSOLETE

QTY	UNIT	DESCRIPTION	PART NUMBER	ITEM
1	-	HARD WARE KIT,CFP4 1X4	2293290-3	4
-	1	HARD WARE KIT,CFP4 1X4	2293290-2	
3	3	SCREW	2292789-1	3
1	1	RECEPTACLE COVER ASSEMBLY	2289498-1	2
-	-	CAGE ASSEMBLY, CFP4 1X4, W/ HEAT SINK	2293290-1	1
-3	-2	PART NUMBER		

THIS DRAWING IS A CONTROLLED DOCUMENT. DWN: CHARLES WAN 17DEC2014
 CHK: SEAN HAN 17DEC2014
 APVD: SEAN HAN

STE TE Connectivity

PRODUCT SPEC: CFP4 1x4 HARDWARE ASSEMBLY

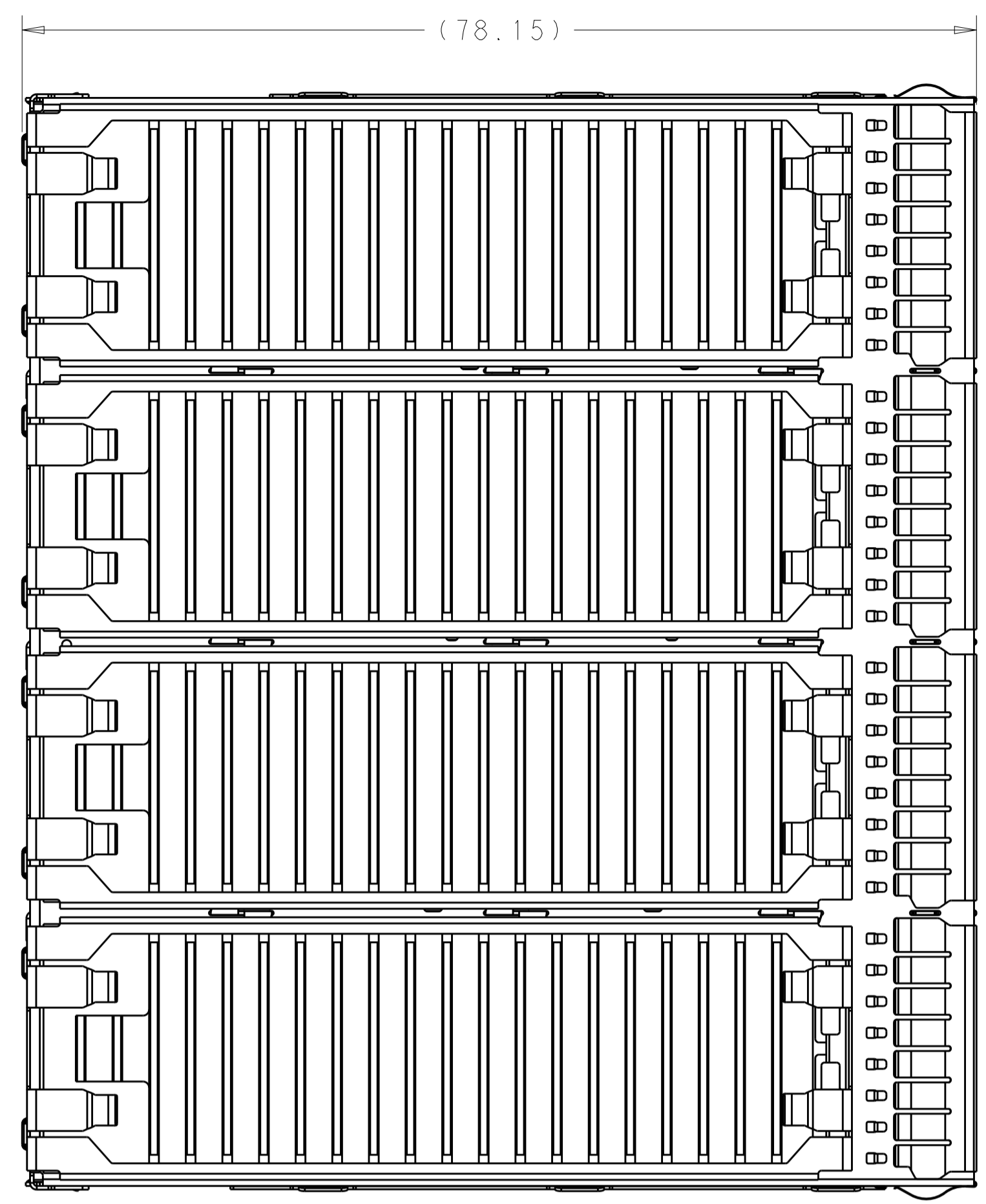
APPLICATION SPEC: -

SIZE: A1 CAGE CODE: 2289497 DRAWING NO: 100779

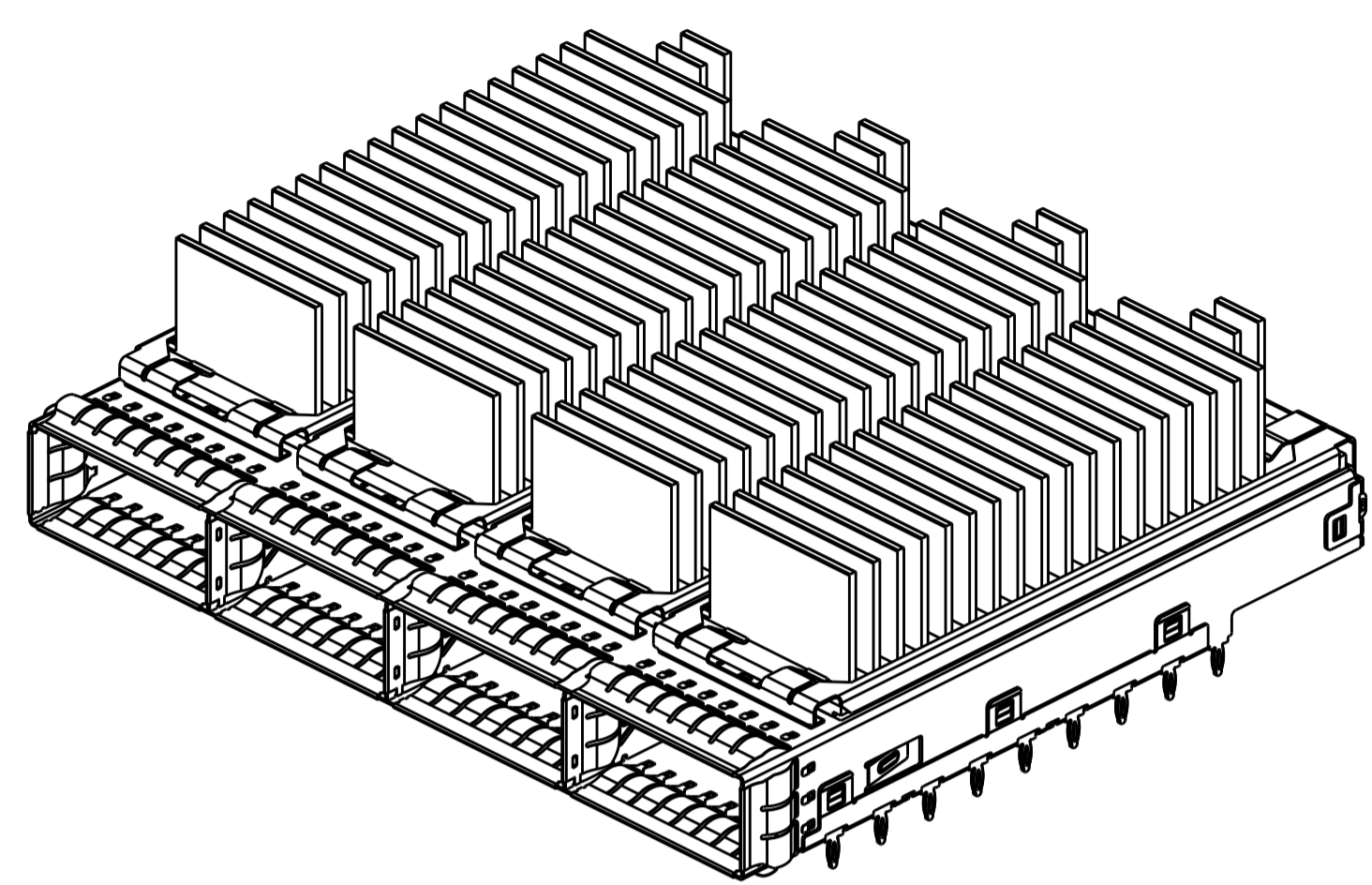
WEIGHT: -

Customer Drawing SCALE: 4:1 SHEET: 1 OF 7 REV: 6

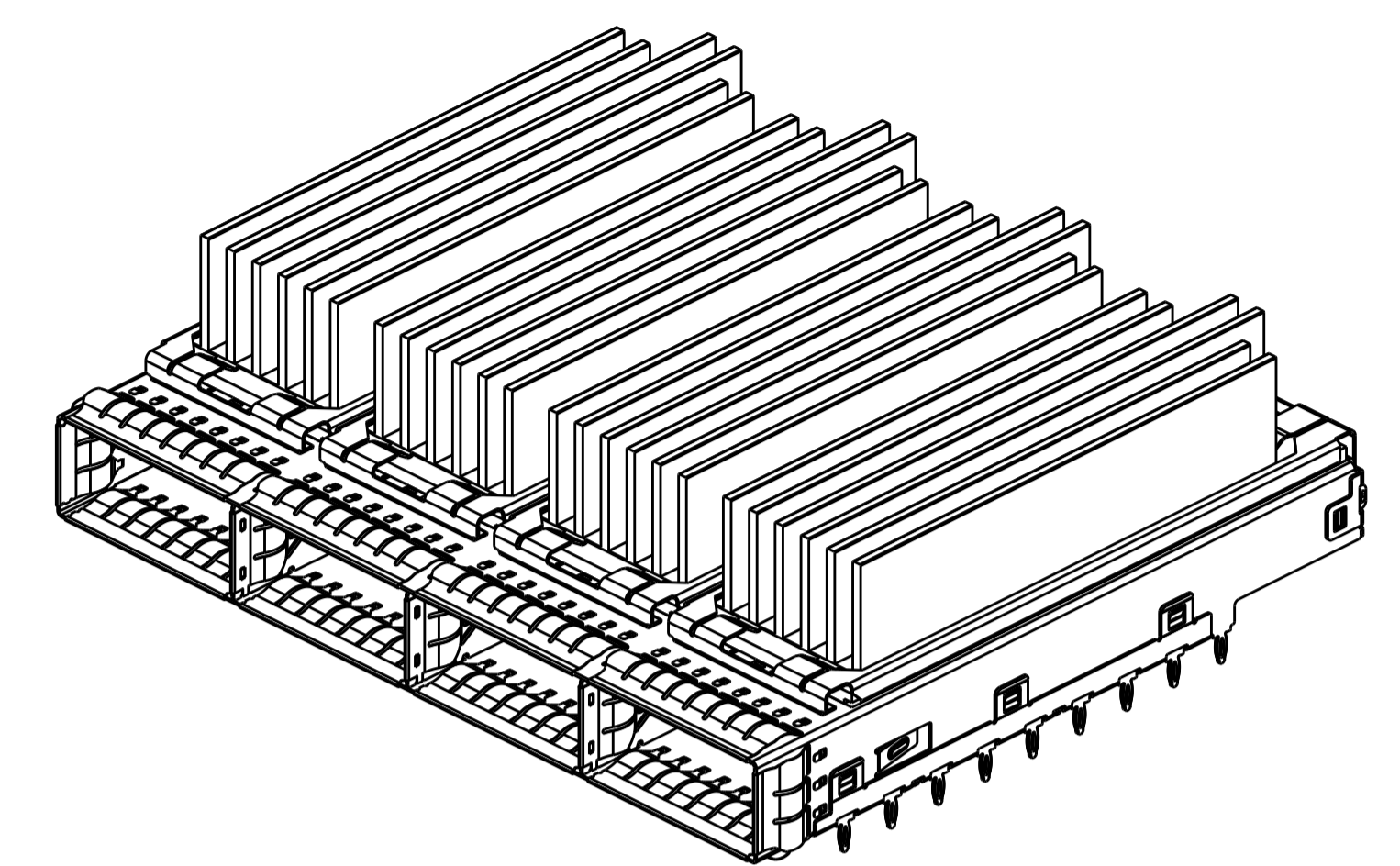
LOC	DIST	REVISIONS			
		P. LTR	DESCRIPTION	DATE	DMN APVD
rev_sym_1	1866	8H6E111		rev_defect	dmn_bppr
rev_sym_2	rev_desc_2			rev_defect	dmn_bppr
rev_sym_3	rev_desc_3			rev_defect	dmn_bppr
rev_sym_4	rev_desc_4			rev_defect	dmn_bppr



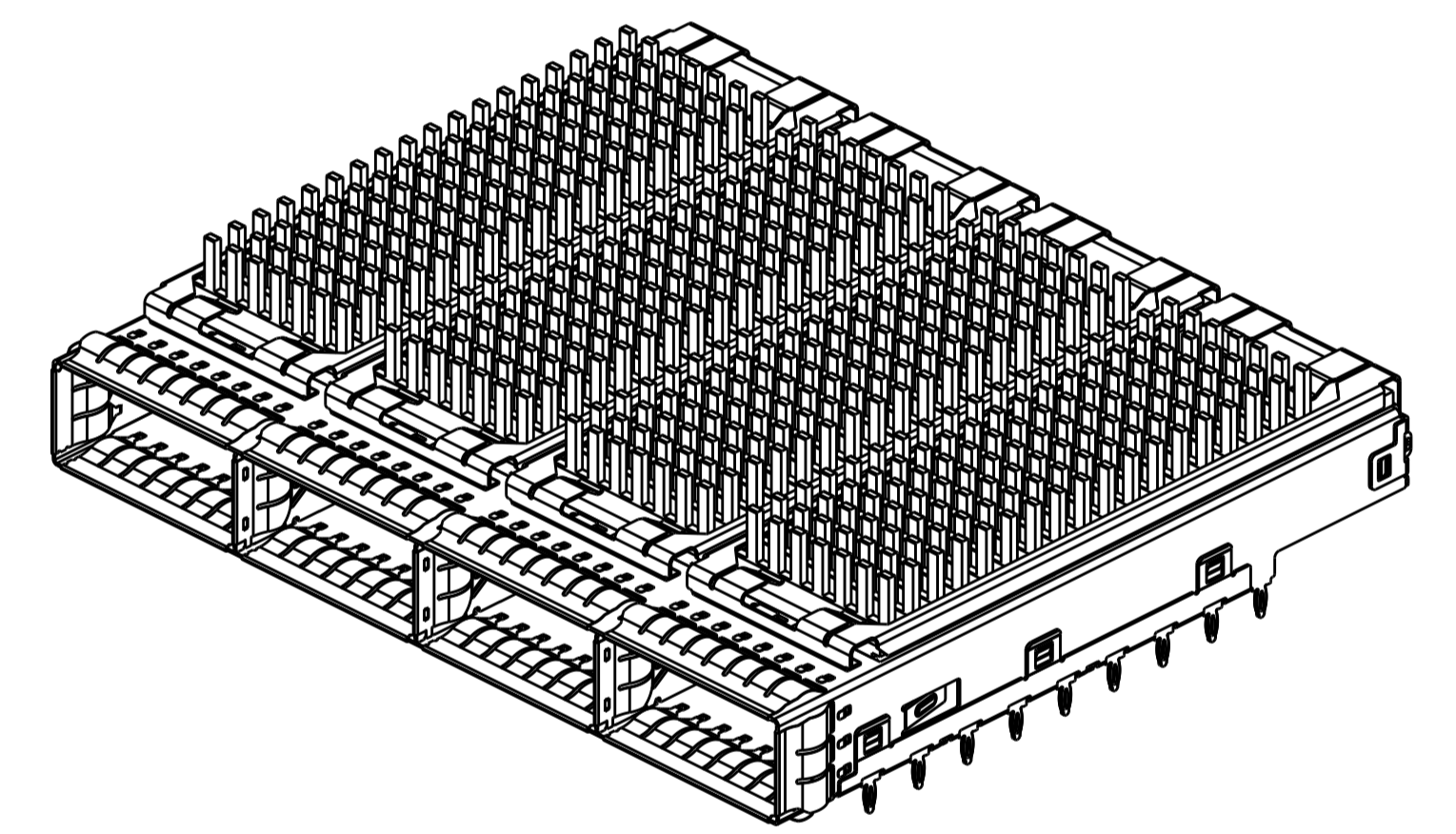
2293290-1 AS SHOWN



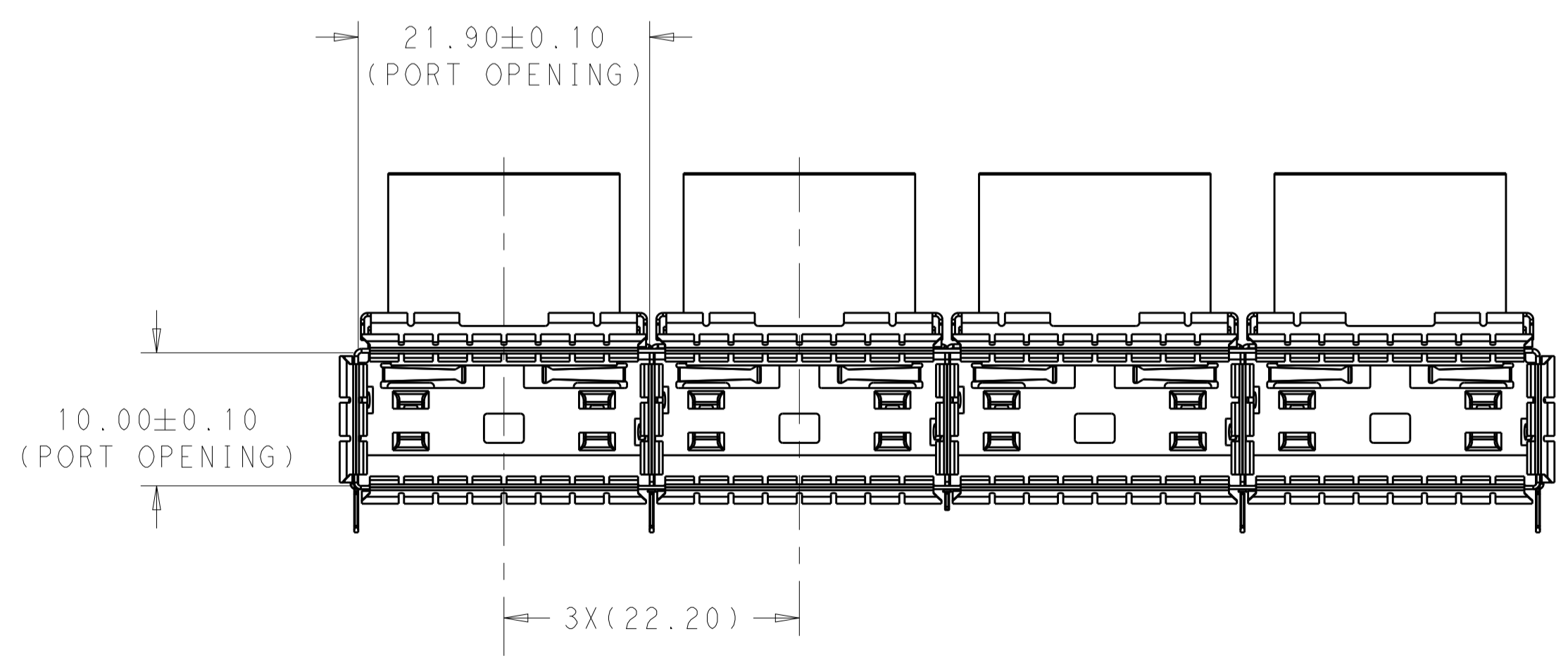
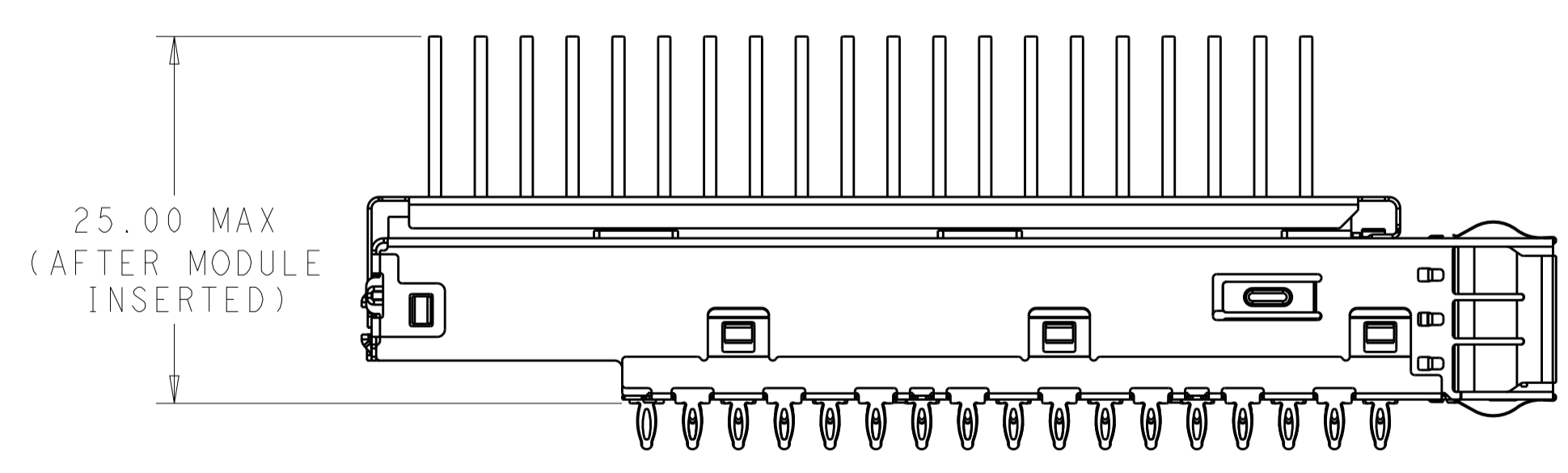
2293290-1 AS SHOWN
(SIDE TO SIDE AIRFLOW HEATSINK)



2293290-2 AS SHOWN
(FRONT TO BACK AIRFLOW HEATSINK)



2293290-3 AS SHOWN
(PIN TYPE HEATSINK)



18.5MAX.	2293290-3
25.0MAX.	2293290-2
25.0MAX.	2293290-1
DIM. A	PART NUMBER

THIS DRAWING IS A CONTROLLED DOCUMENT. DMN: CHARLES WAN 17DEC2014
 CHK: SEAN HAN 17DEC2014

STE TE Connectivity

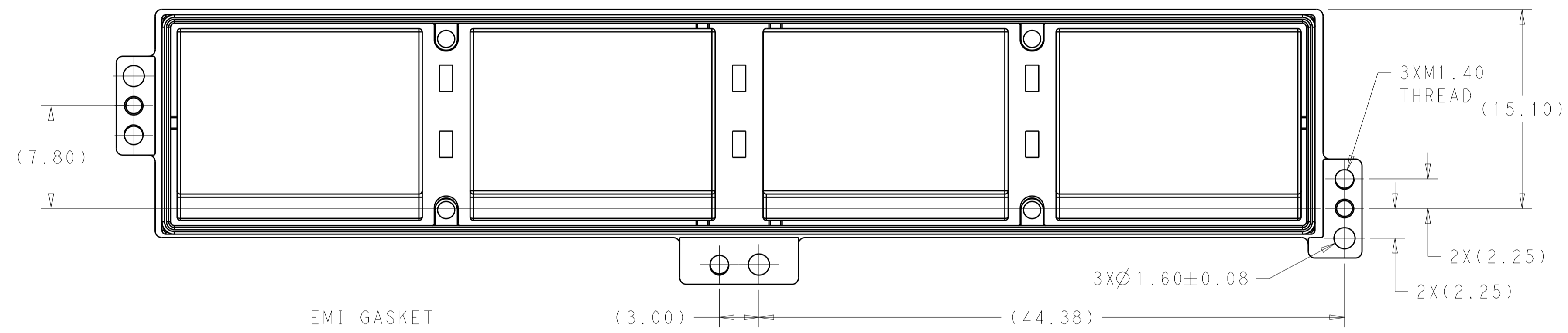
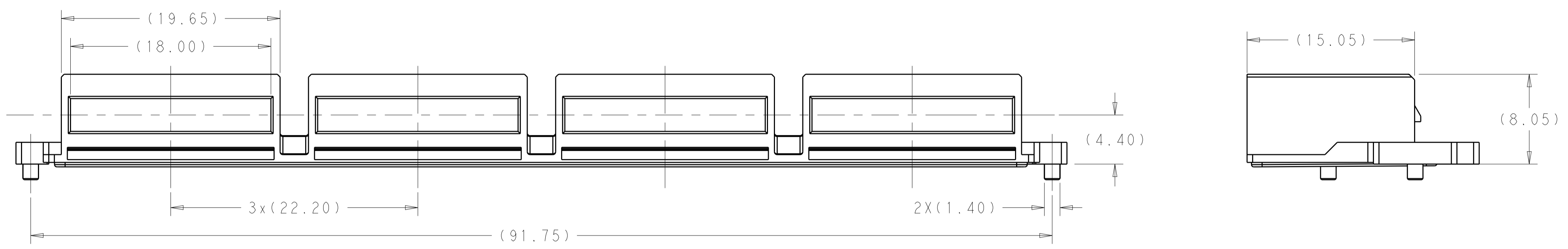
NAME: CFP4 1x4 HARDWARE ASSEMBLY

PRODUCT SPEC: -
 APPLICATION SPEC: -

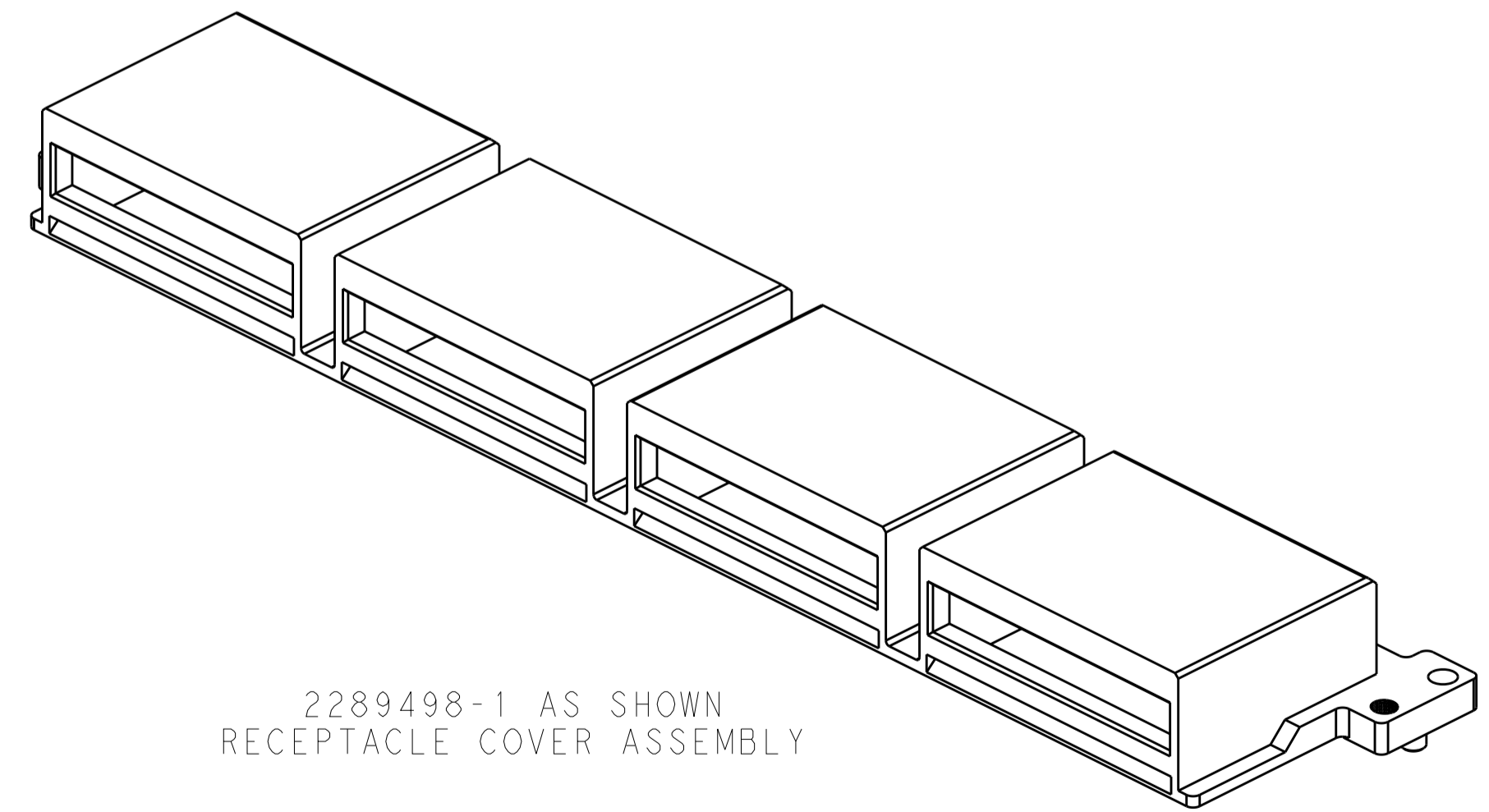
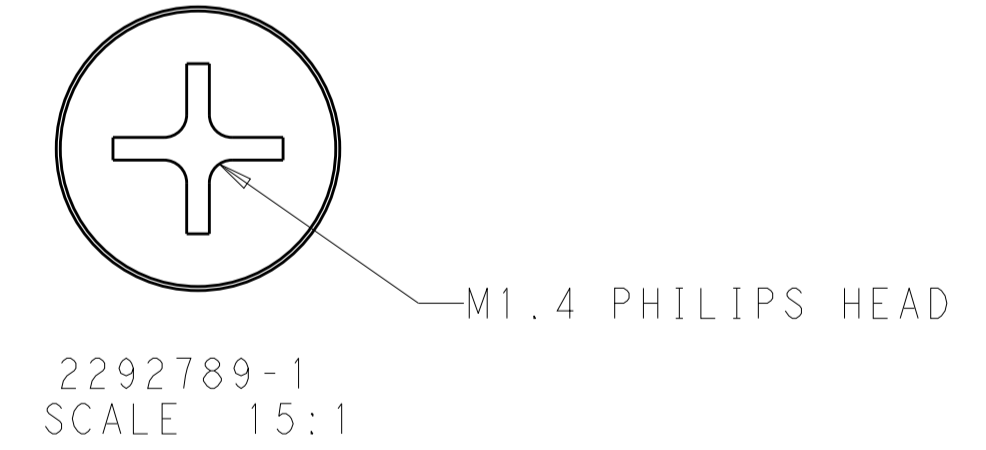
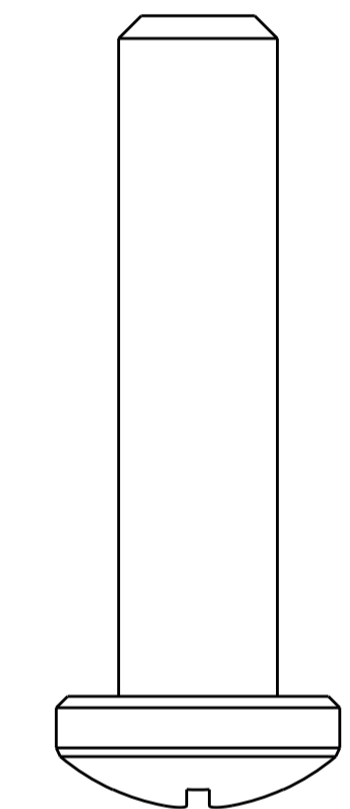
SIZE: A1 CAGE CODE: 100779 DRAWING NO: 2289497
 WEIGHT: -
 MATERIAL: - FINISH: -

Customer Drawing SCALE: 4:1 SHEET 2 OF 7 REV 6

LOC	DIST	REVISIONS			
P.	LTR	DESCRIPTION	DATE	DWN	APVD
rev_sym_1	1666_8H6E111		rev.defect	y.	dwn.
rev_sym_2	rev_desc_2		rev.defect	y.	dwn.
rev_sym_3	rev_desc_3		rev.defect	y.	dwn.
rev_sym_4	rev_desc_4		rev.defect	y.	dwn.



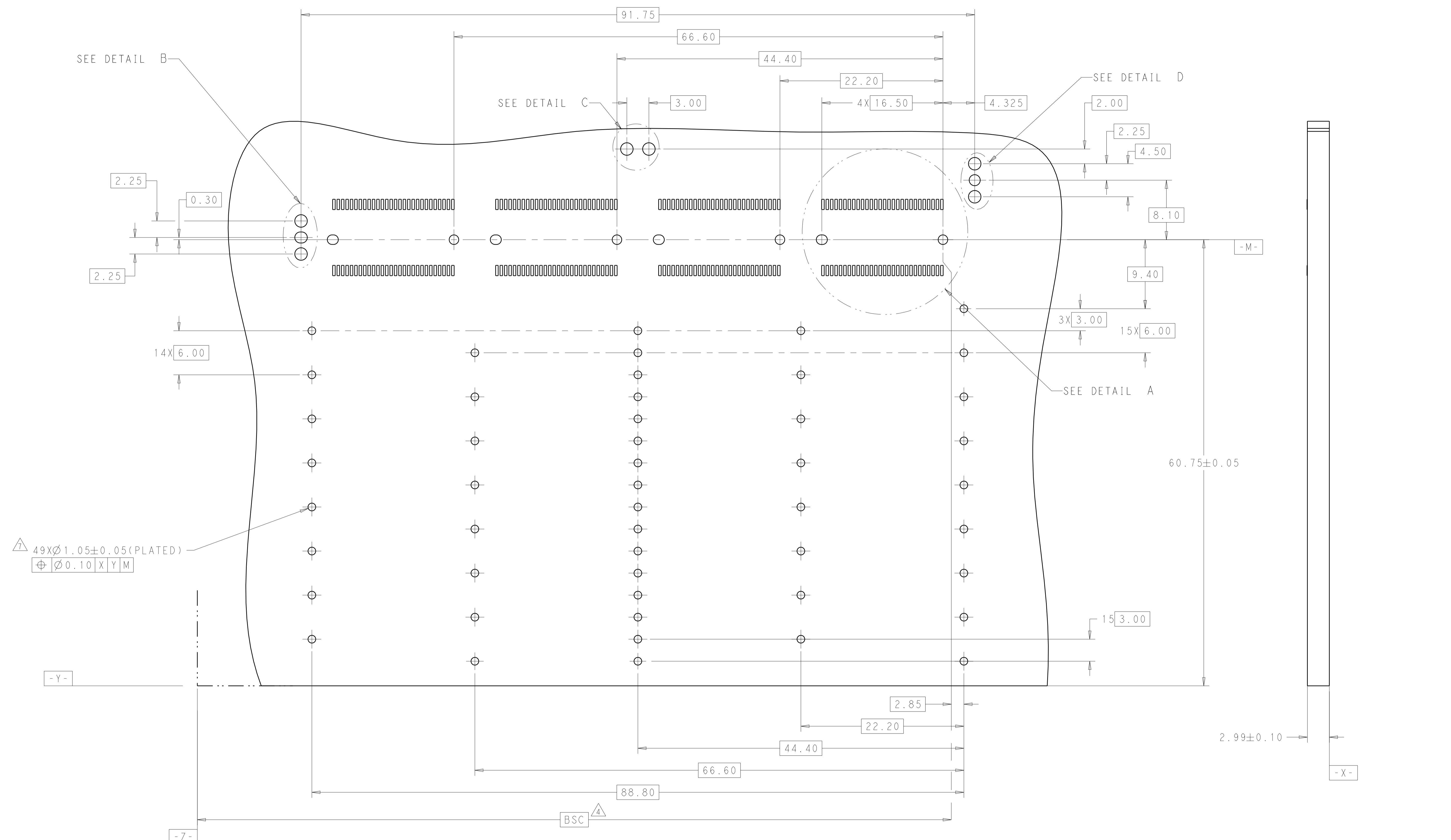
EMI GASKET



2289498-1 AS SHOWN
 RECEPTACLE COVER ASSEMBLY

THIS DRAWING IS A CONTROLLED DOCUMENT.		DWN: CHARLES WAN 17DEC2014	
DIMENSIONS: mm		CHK: SEAN HAN 17DEC2014	
TOLERANCES UNLESS OTHERWISE SPECIFIED:		APVD: -	NAME: CFP4 1x4 HARDWARE ASSEMBLY
0 PLC ±0.25	1 PLC ±0.13	PRODUCT SPEC	SIZE: -
2 PLC ±0.13	3 PLC ±0.13	APPLICATION SPEC	CAGE CODE: -
4 PLC ±0.13	ANGLES ±0.13	FINISH	DRAWING NO: A100779
MATERIAL: -	FINISH: -	WEIGHT: -	DRAWING NO: C=2289497
Customer Drawing		SCALE: 4:1	SHEET 3 OF 7
		REV: 6	

LOC	DIST	REVISIONS			
		REV. LTR	DESCRIPTION	DATE	DWN. APVD.
		rev_sym_1	REV. 0846E111		rev_defect_y_dwn_bppr_1
		rev_sym_2	rev_desc_2		rev_defect_y_dwn_bppr_2
		rev_sym_3	rev_desc_3		rev_defect_y_dwn_bppr_3
		rev_sym_4	rev_desc_4		rev_defect_y_dwn_bppr_4

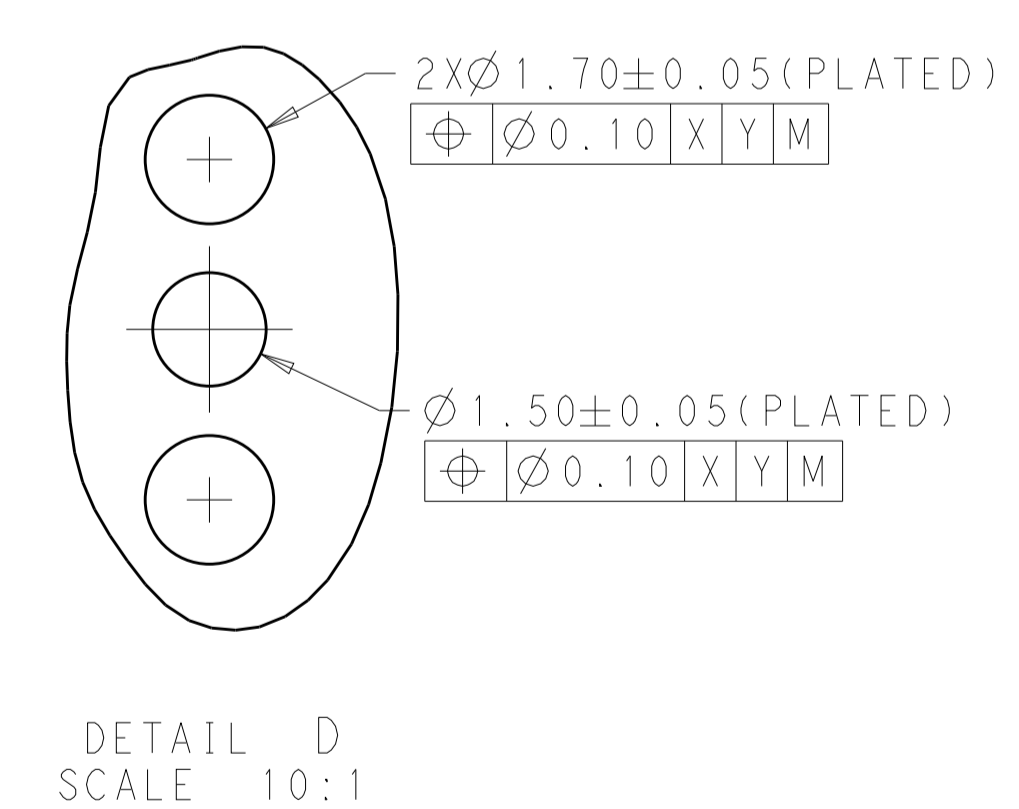
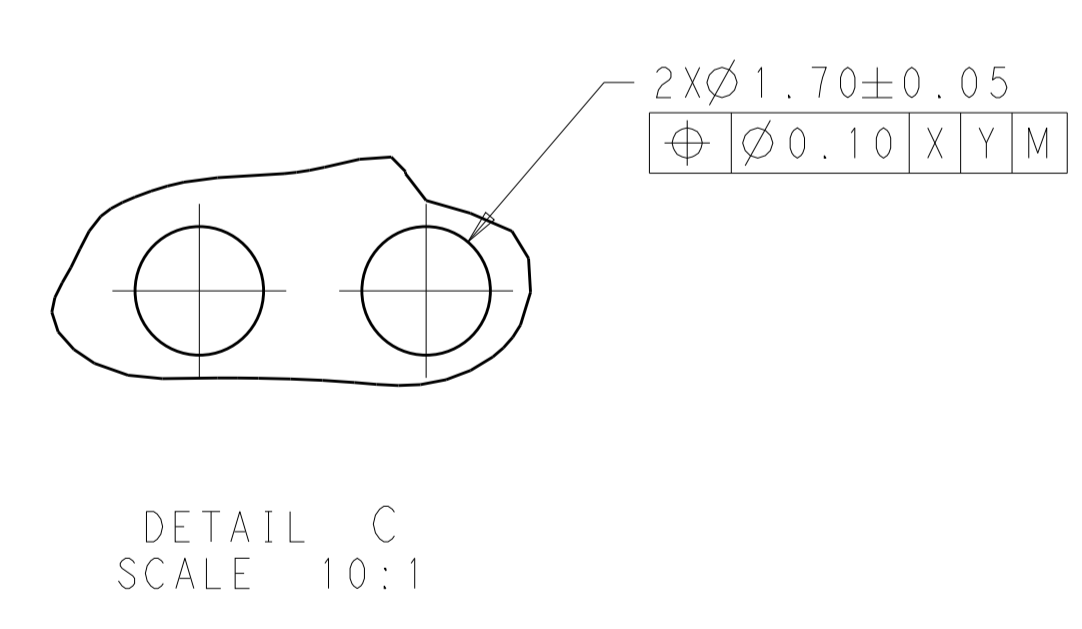
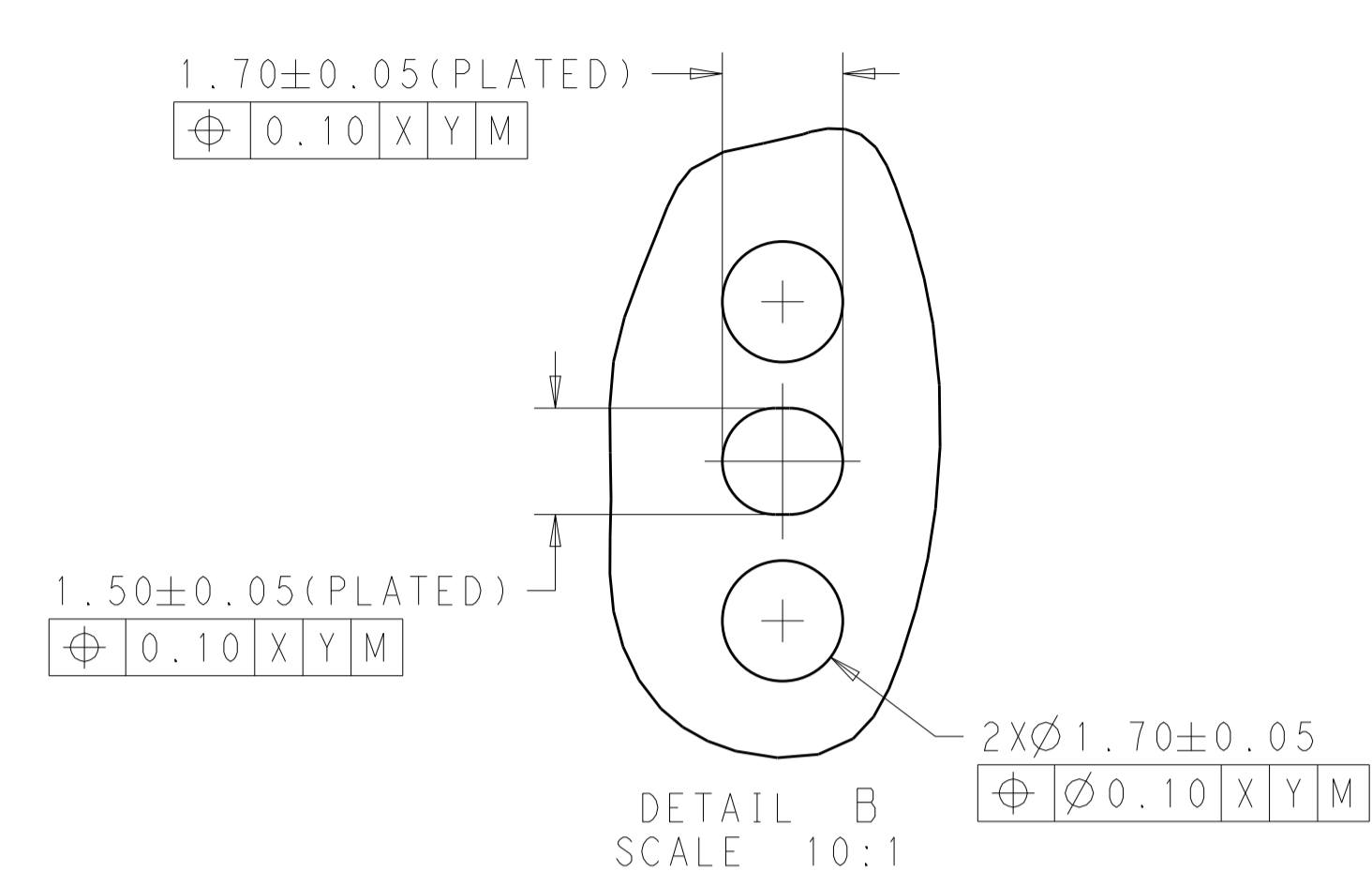
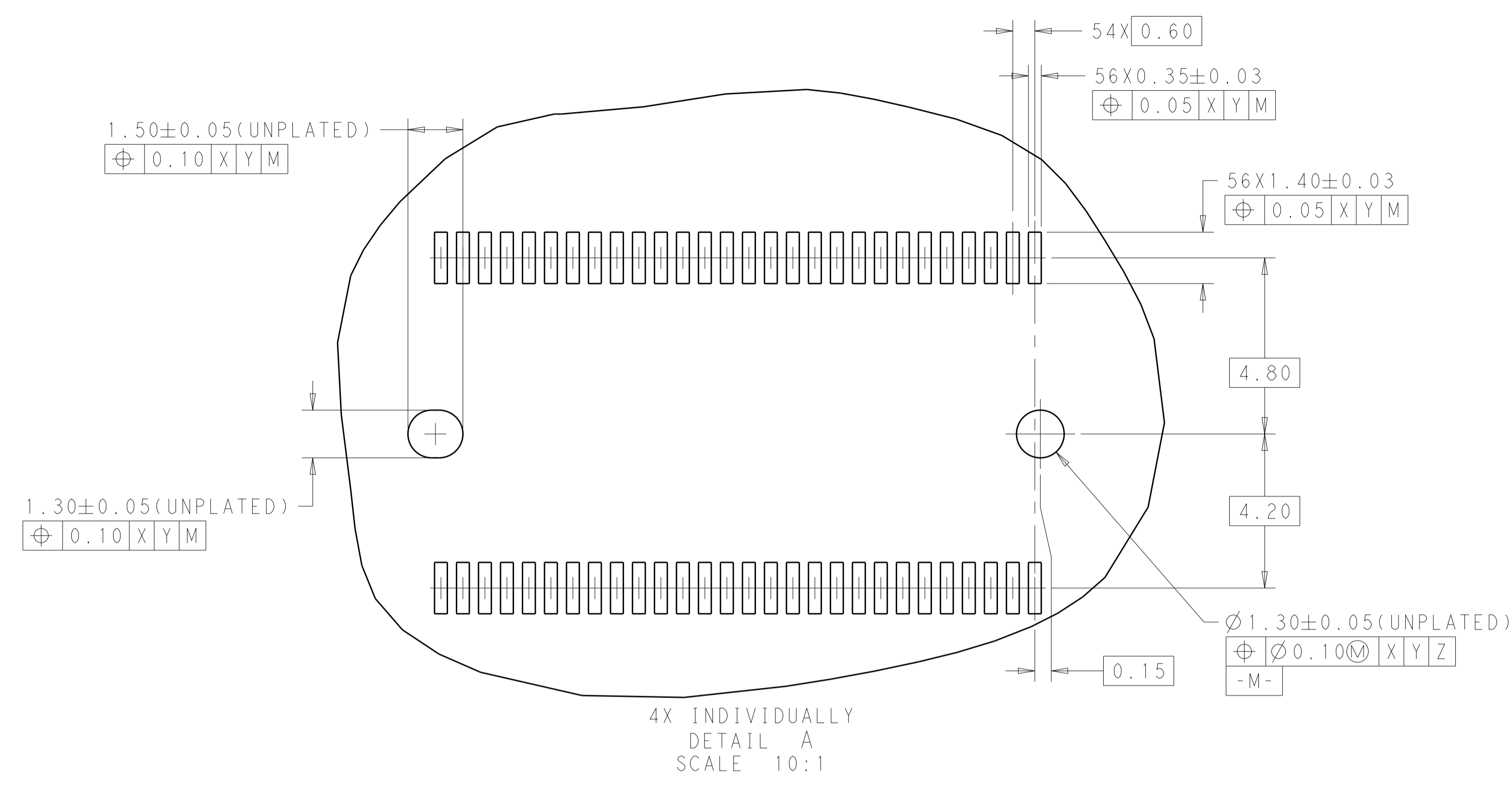


49XØ1.05±0.05 (PLATED)
 Ø0.10 X Y M

RECOMMENDED PCB LAYOUT
 SINGLE SIDED APPLICATION
 SCALE 4:1

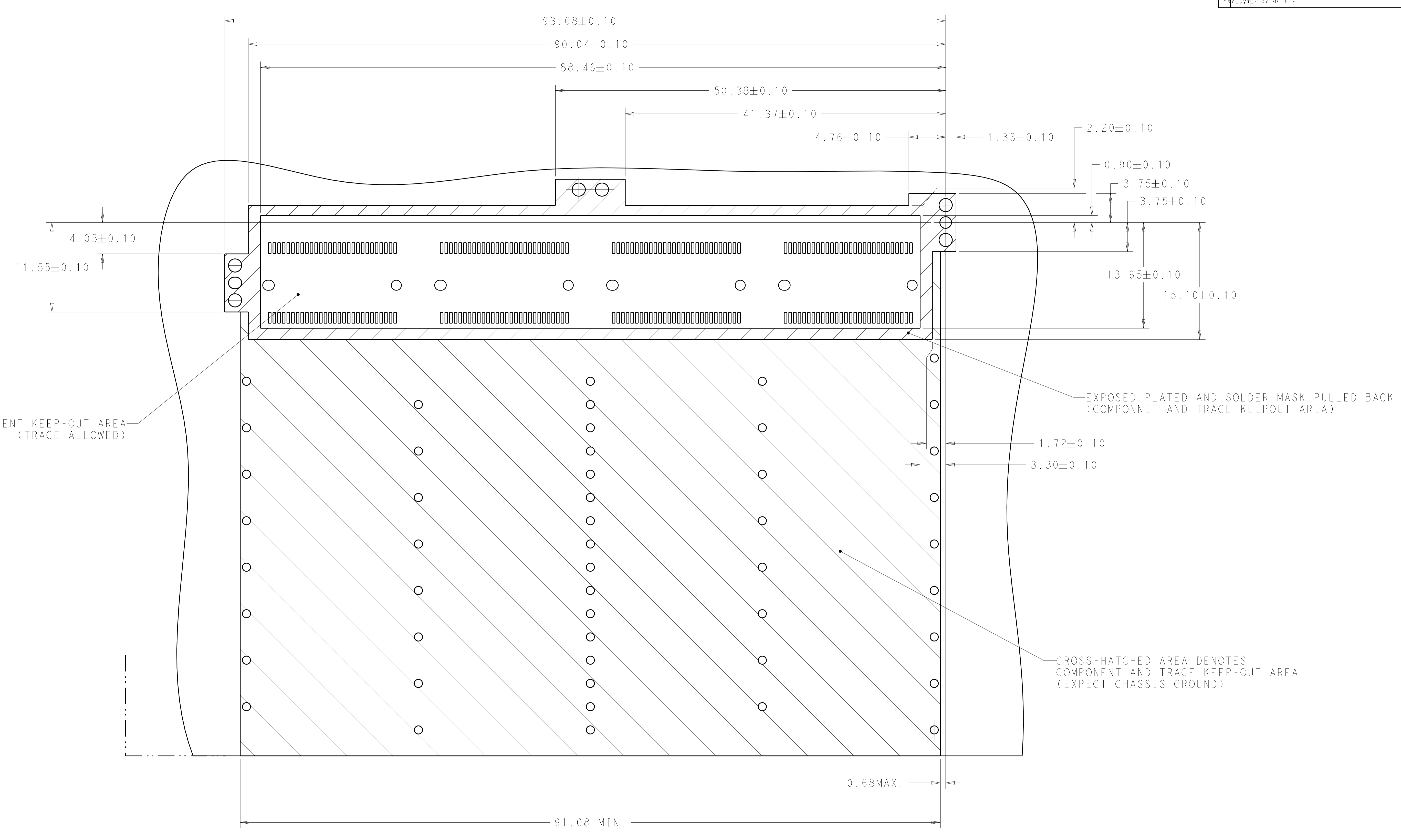
THIS DRAWING IS A CONTROLLED DOCUMENT.		DWN. CHARLES WAN 17DEC2014	TE Connectivity
DIMENSIONS: mm		CHK. SEAN HAN 17DEC2014	
TOLERANCES UNLESS OTHERWISE SPECIFIED:		APVD.	NAME CFP4 1x4 HARDWARE ASSEMBLY
0 PLC ±0.25	1 PLC ±0.13	PRODUCT SPEC	
2 PLC ±0.13	3 PLC ±0.13	APPLICATION SPEC	
4 PLC ±0.13	ANGLES ±0.13	SIZE CAGE CODE DRAWING NO	RESTRICTED TO
MATERIAL	FINISH	WEIGHT	A100779C=2289497
		Customer Drawing	SCALE 1:1 SHEET 4 OF 7 REV 6

LOC	DIST	REVISIONS			
P	LTR	DESCRIPTION	DATE	DWN	APVD
rev_sym_1	1666	8H6E111		rev_defect	dev_apppr
rev_sym_2	rev_desc_2			rev_defect	dev_apppr
rev_sym_3	rev_desc_3			rev_defect	dev_apppr
rev_sym_4	rev_desc_4			rev_defect	dev_apppr



THIS DRAWING IS A CONTROLLED DOCUMENT.		DWN: CHARLES WAN 17DEC2014	TE Connectivity
DIMENSIONS: mm		CHK: SEAN HAN 17DEC2014	
TOLERANCES UNLESS OTHERWISE SPECIFIED: 0 PLC ± 1 PLC ±0.25 2 PLC ±0.13 3 PLC ± 4 PLC ± ANGLES ±		APVD: -	NAME: CFP4 1x4 HARDWARE ASSEMBLY
MATERIAL: -		PRODUCT SPEC: -	SIZE: -
FINISH: -		APPLICATION SPEC: -	RESTRICTED TO: -
Customer Drawing		WEIGHT: -	SCALE: 3:1
		Customer Drawing	SHEET 5 OF 7
			REV 6

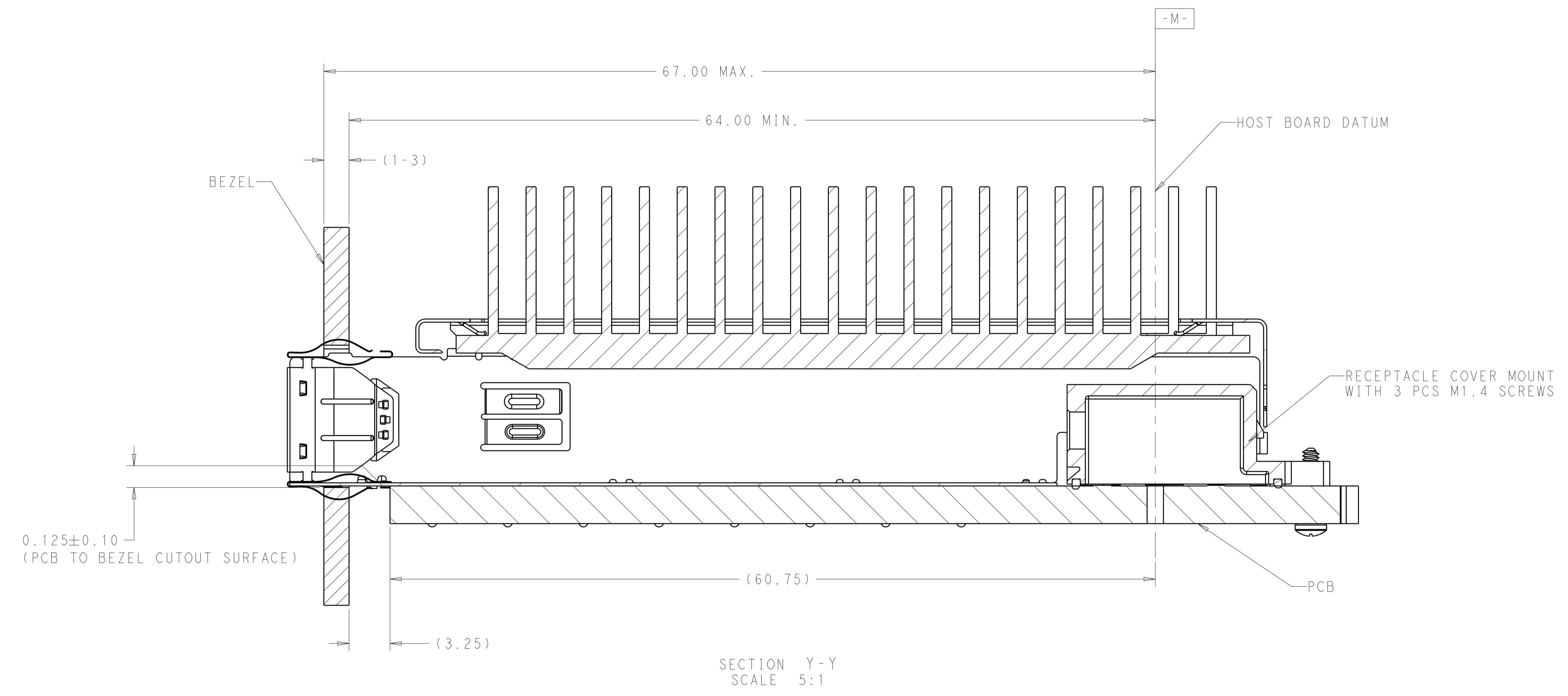
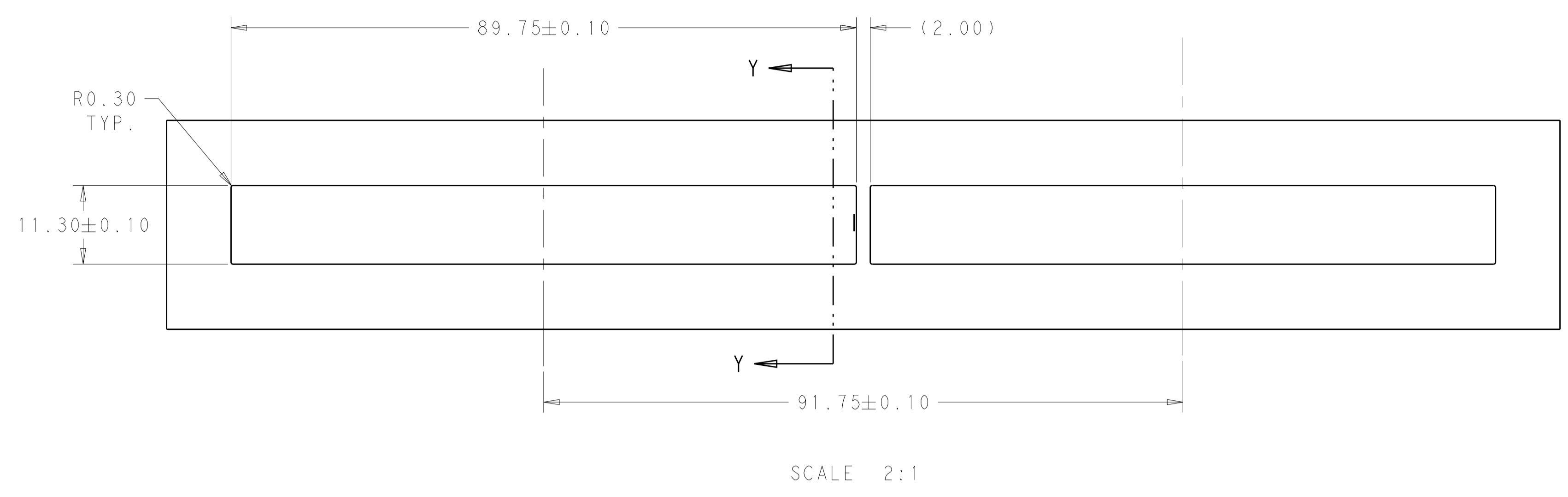
LOC	DIST	REV	DATE	BY	CHK	APVD
		1				
		2				
		3				
		4				



SCALE 4:1

THIS DRAWING IS A CONTROLLED DOCUMENT.		OWN: CHARLES WAN 17DEC2014	TE Connectivity
DIMENSIONS: mm		CHK: SEAN HAN 17DEC2014	
TOLERANCES UNLESS OTHERWISE SPECIFIED: 0 PLC ±0.25 1 PLC ±0.13 2 PLC ±0.13 3 PLC ±0.13 4 PLC ±0.13 ANGLES ±0.13		APVD: -	NAME: CFP4 1x4 HARDWARE ASSEMBLY
MATERIAL: -		FINISH: -	PRODUCT SPEC: -
-		-	APPLICATION SPEC: -
-		-	SIZE: A1
-		-	CAGE CODE: 00779
-		-	DRAWING NO: 2289497
-		-	RESTRICTED TO: -
-		-	Customer Drawing
-		-	SCALE: 4:1
-		-	SHEET: 6 OF 7
-		-	REV: 6

LOC	DIST	REV	DATE	BY	APPV
		1			
		2			
		3			
		4			



THIS DRAWING IS A CONTROLLED DOCUMENT.		OWN: CHARLES WAN 17DEC2014	TE Connectivity
DIMENSIONS: mm		CHK: SEAN HAN 17DEC2014	
TOLERANCES UNLESS OTHERWISE SPECIFIED:		APVD: -	NAME: CFP4 1x4 HARDWARE ASSEMBLY
0 PLC ±	1 PLC ±0.25	PRODUCT SPEC	SIZE: -
2 PLC ±0.13	3 PLC ±	APPLICATION SPEC	RESTRICTED TO: -
4 PLC ±	ANGLES ±	WEIGHT: -	SCALE: 4:1
MATERIAL: -	FINISH: -	Customer Drawing	SHEET 7 OF 7
		Customer Drawing	REV 6