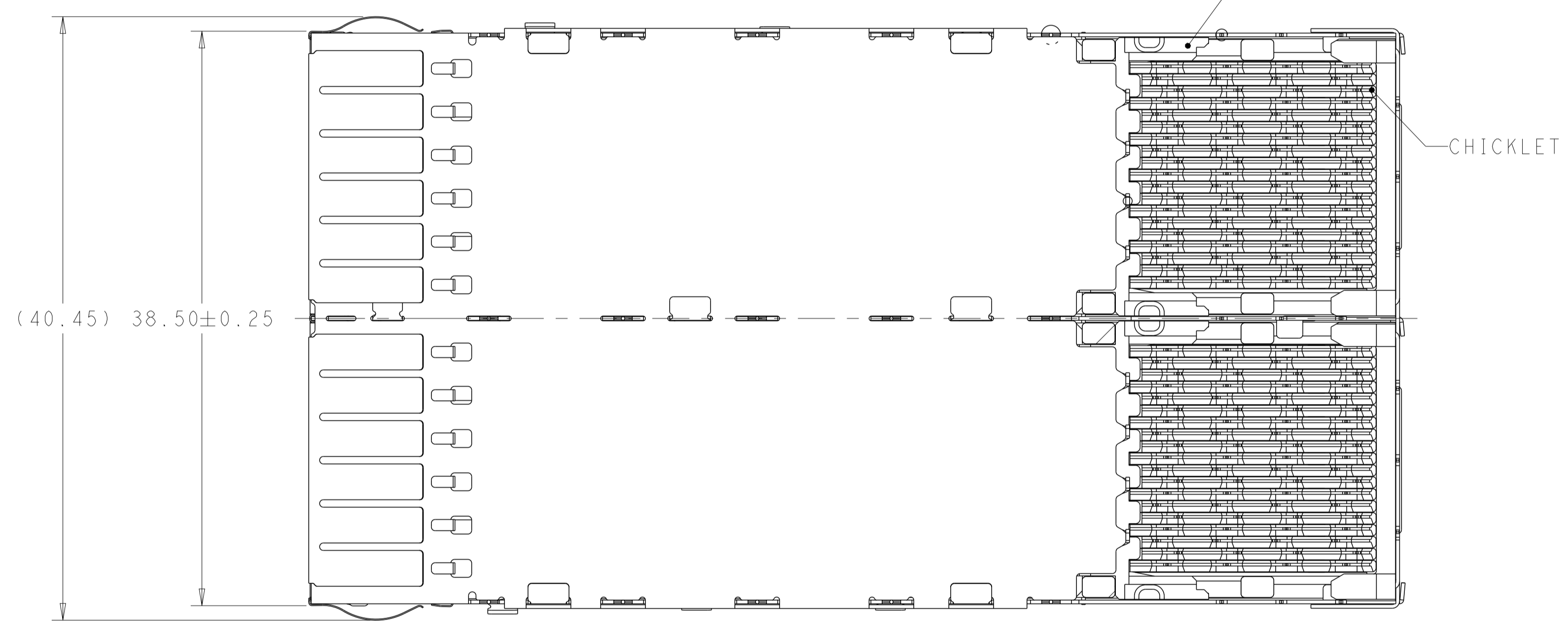
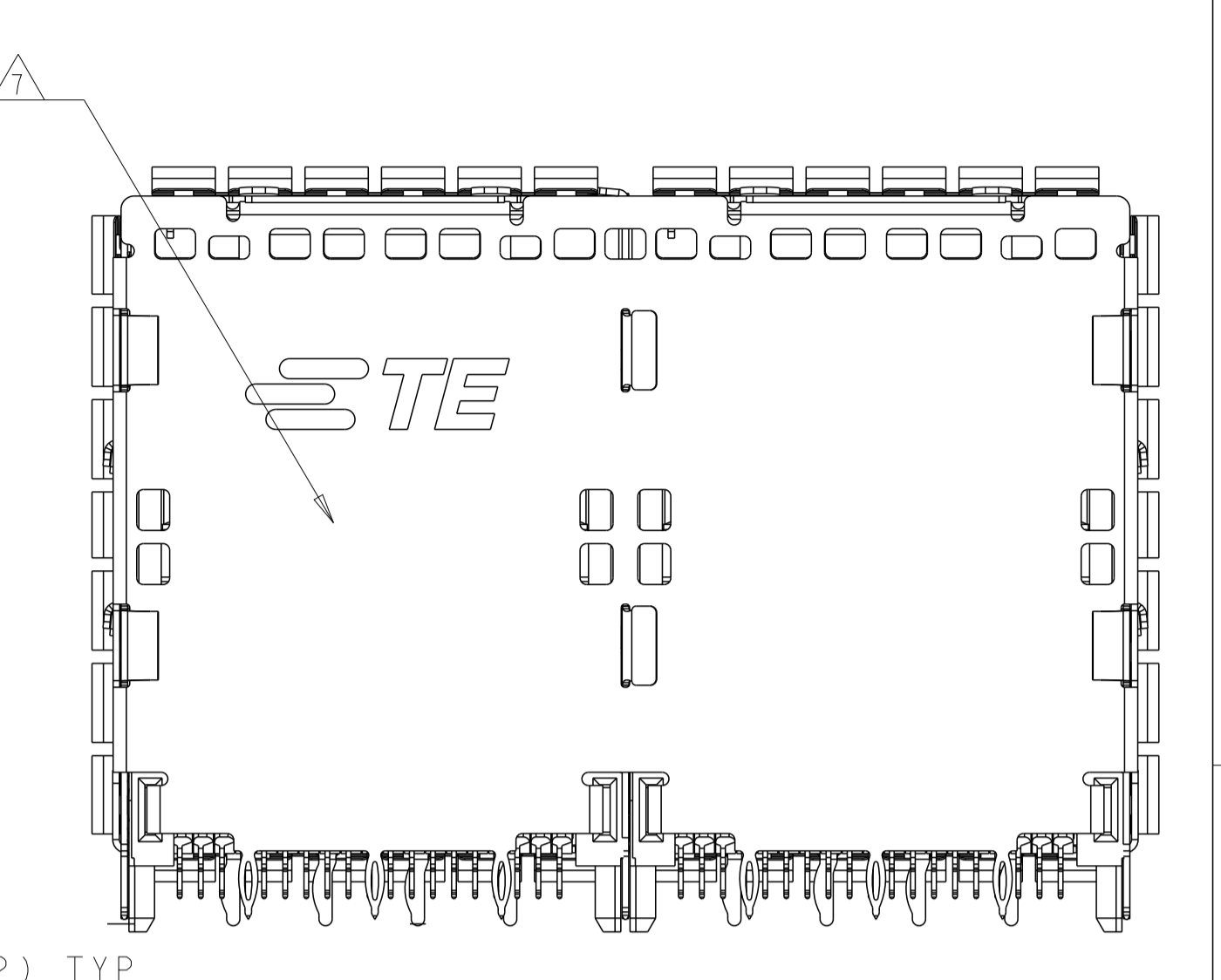
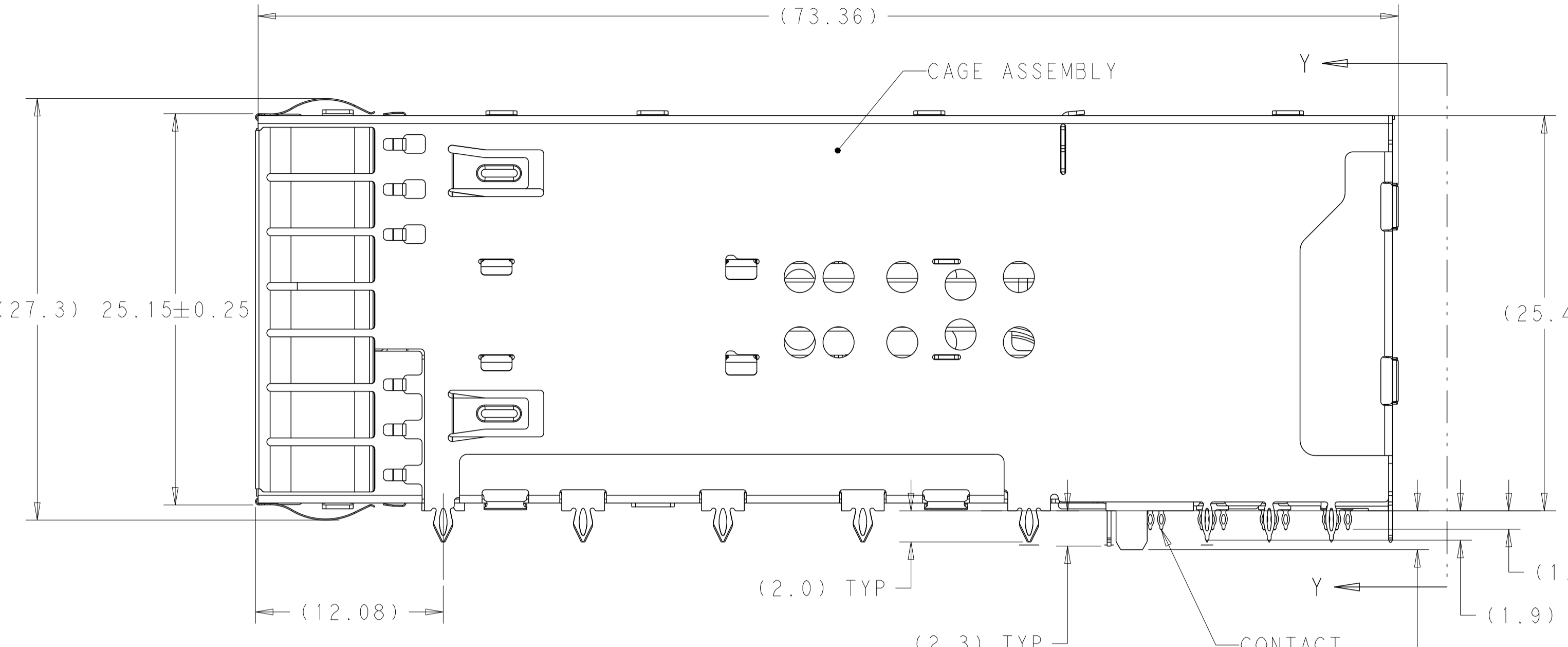
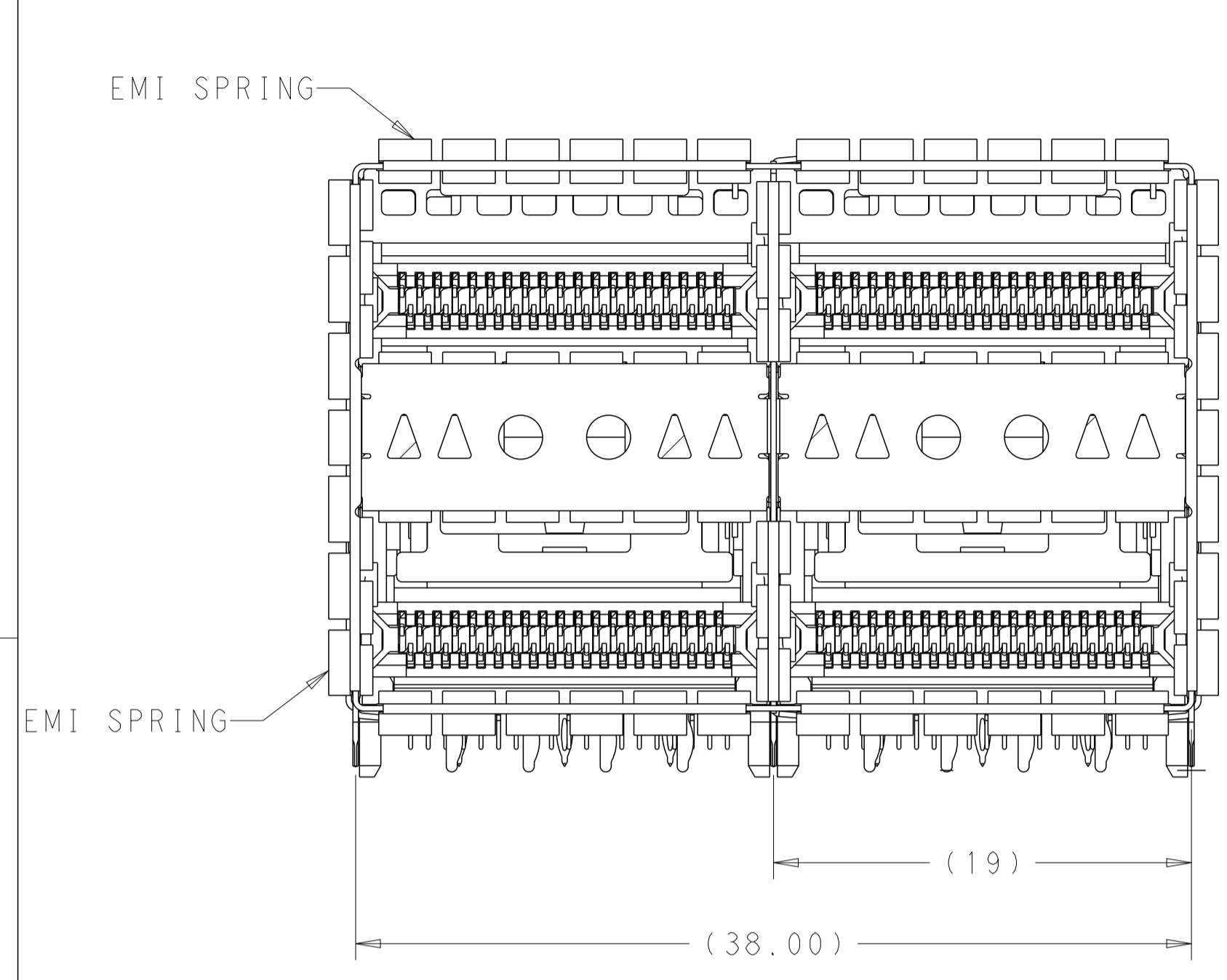


REVISIONS				
P	LTN	DESCRIPTION	DATE	APP'D
E		REVISED PER ECO-18-018343	22NOV2018	TX SH
F		ADD DASH1-4	26DEC2019	JW SH
F		REVISED PER ECN-23-233140	020C12023	AB SZ
F1		REVISED PER ECN-23-235434	170C12023	AB SZ



1. MATERIALS:
 CAGE ASSEMBLY- NICKEL SILVER ALLOY PER ASTM B 122.
 EMI SPRING- COPPER ALLOY, NICKEL PLATED.
 HOUSING- POLYESTER LCP WITH 94V-0.
 CHICKLET- POLYESTER LCP WITH 94V-0.
 CONTACT- COPPER ALLOY.
 LIGHTPIPE- POLYCARBONATE WITH 94V-0.
 ORGANIZER: POLYESTER WITH 94V-0
 HEATSINK: ALUMINUM, BLACK ANODIZED
 HEATSINK CLIP: STAINLESS STEEL

- △ CONTACT FINISH: 0.76µm GOLD ON MATING AREA, 0.7-1.5µm MATT TIN ON COMPLIANT AREA, ALL OVER 1.27µm NICKEL.
 △ DATUM AND BASIC DIMENSION ESTABLISHED BY CUSTOMER.
 4. MINIMUM PCB THICKNESS OF 1.57.
 △ THE ENTIRE AREA OF THE CONNECTOR FOOTPRINT, INDICATED BY THE DASHED LINE, TO BE CONSIDERED THE KEEPOUT AREA FOR COMPONENTS AND TRACES.
 △ CROSS-HATCHED AREAS REPRESENT ZONES ON THE PCB THAT COME IN CONTACT WITH OR BE IN CLOSE PROXIMITY TO THE PLASTIC HOUSING OR THE CONNECTOR CAGE. INDICATED AREAS TO BE CONSIDERED TRACE FREE.
 △ PART NUMBER AND DATE CODE MADE IN APPROXIMATE AREA SHOWN.
 △ HATCHED AREA IS PLACEMENT ZONE FOR LED. LED SHOULD BE CENTERED WITHIN ZONE. RECOMMEND 0805 PACKAGE.
 △ CONTACT FINISH: 0.08µm MINIMUM GOLD OVER 0.68µm PALLADIUM-NICKEL ON MATING AREA, 0.7-1.5µm MATT TIN ON COMPLIANT AREA, ALL OVER 1.27µm NICKEL.
 △ REMOVE THE PCB HOLES FOR 2289129-5, 2289129-8 FOR BELLY TO BELLY APPLICATION.

CONTACT FINISH	DESCRIPTION	PART NUMBER
△	LEFT INDICATOR DOWN, 4LP	1-2289129-3
△	ALL INDICATOR UP, 4LP	1-2289129-1
△	ALL ROUND INDICATOR, 4LP AND 4 TOP LIGHTPIPES	2289129-9
△	ALL ROUND INDICATOR, 4LP AND 4 TOP LIGHTPIPES	2289129-8
△	LEFT INDICATOR UP, 2LP	2289129-7
△	ALL INDICATOR DOWN, 4LP	2289129-6
△	LEFT INDICATOR UP, 2LP	2289129-5
△	LEFT INDICATOR UP, 4LP	2289129-4
△	LEFT INDICATOR DOWN, 4LP	2289129-3
△	LEFT INDICATOR UP, 4LP	2289129-2
△	ALL INDICATOR UP, 4LP	2289129-1

THIS DRAWING IS A CONTROLLED DOCUMENT. DIMENSIONS: mm. TOLERANCES UNLESS OTHERWISE SPECIFIED: 0 PLC ±, 1 PLC ±0.25, 2 PLC ±0.15, 3 PLC ±, 4 PLC ±, ANGLES ±, FINISH ±.

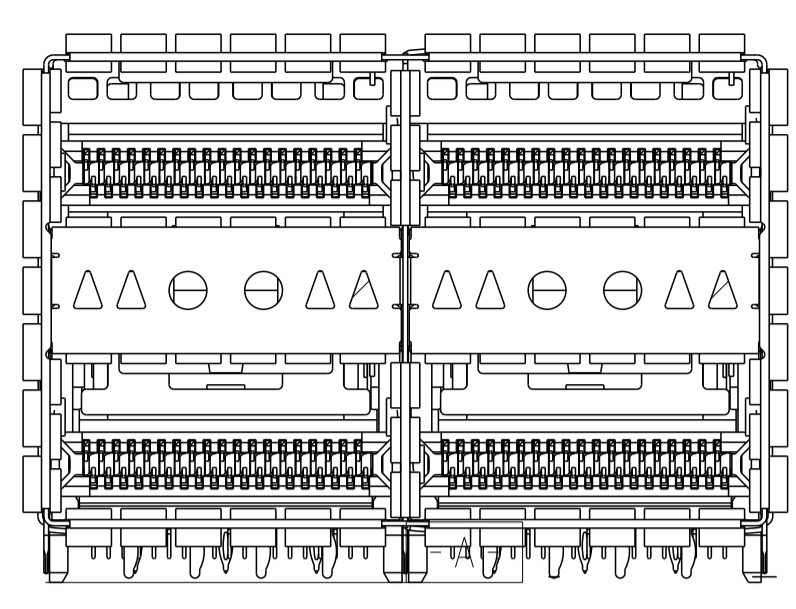
OWN: TIM XUE 30NOV2014
 CH: JASON YANG 30NOV2014
 APVD: JASON YANG 30NOV2014
 NAME: JASON YANG
 PRODUCT SPEC: 108-60102
 APPLICATION SPEC: 114-60015
 WEIGHT: -

SCALE: 4:1 SHEET 1 OF 6 REV F1

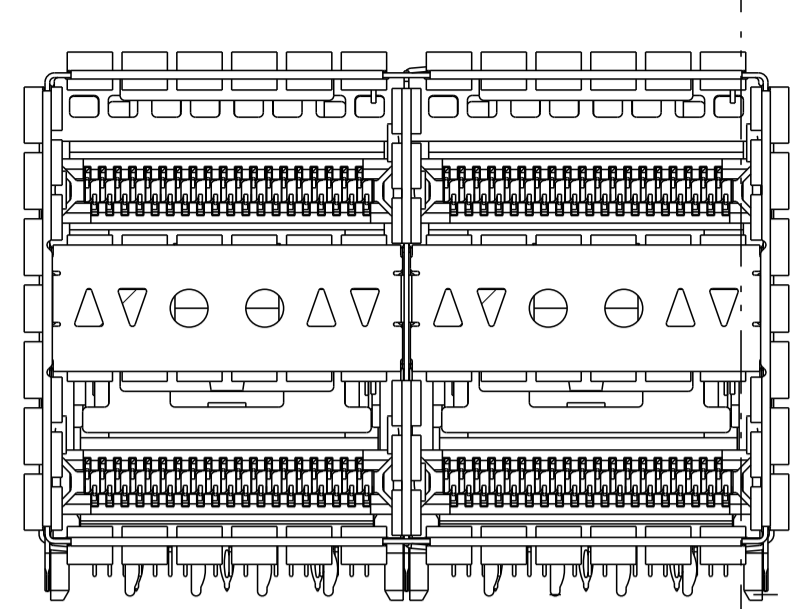
RESTRICTED TO: A100779C=2289129

CUSTOMER DRAWING

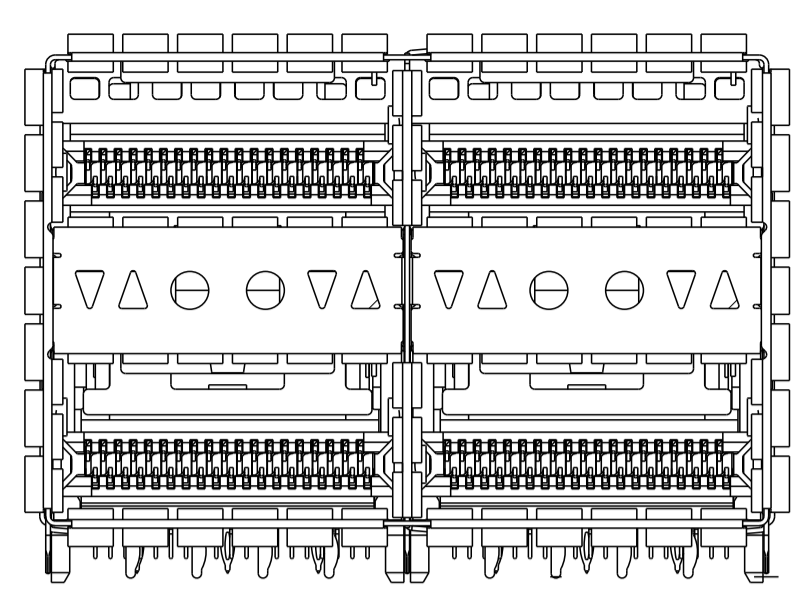
REVISIONS				
P.	LTN.	DESCRIPTION	DATE	OWN. APVD.
-	-	SEE SHEET 1	-	-



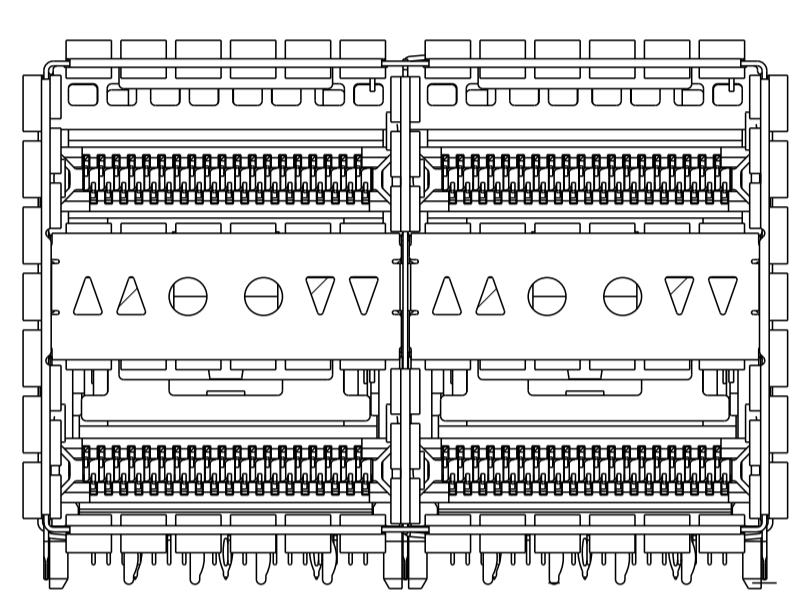
2289129-1
ALL INDICATORS UP
SCALE 5:2



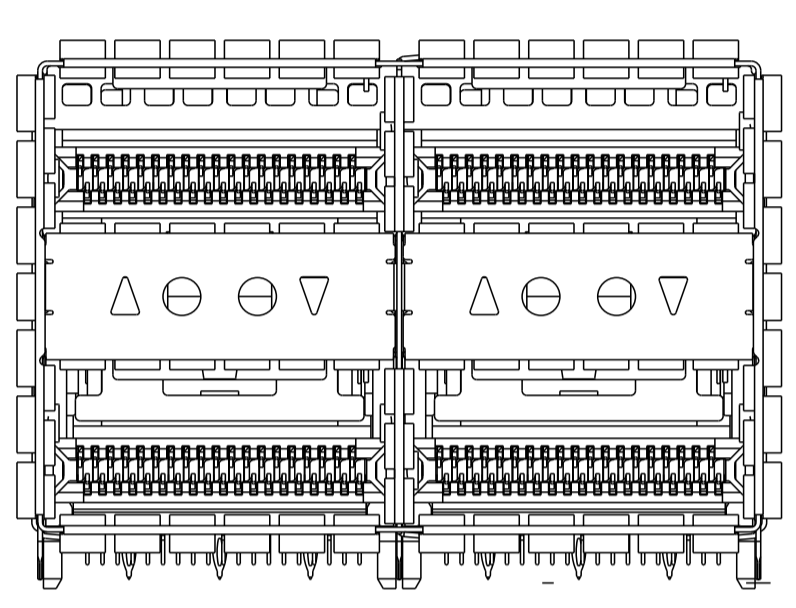
2289129-2
LEFT INDICATOR UP
SCALE 5:2



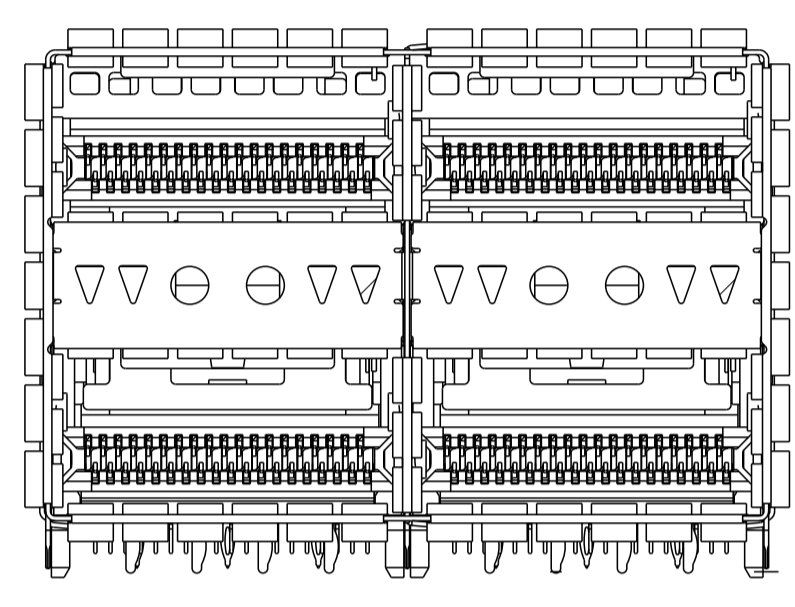
2289129-3
LEFT INDICATOR DOWN
SCALE 5:2



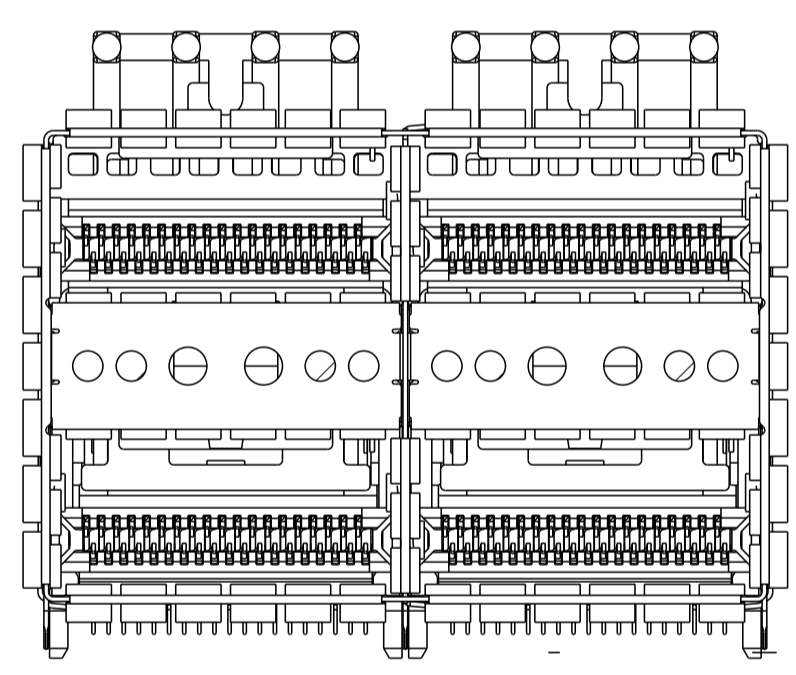
2289129-4
LEFT INDICATOR UP
SCALE 5:2



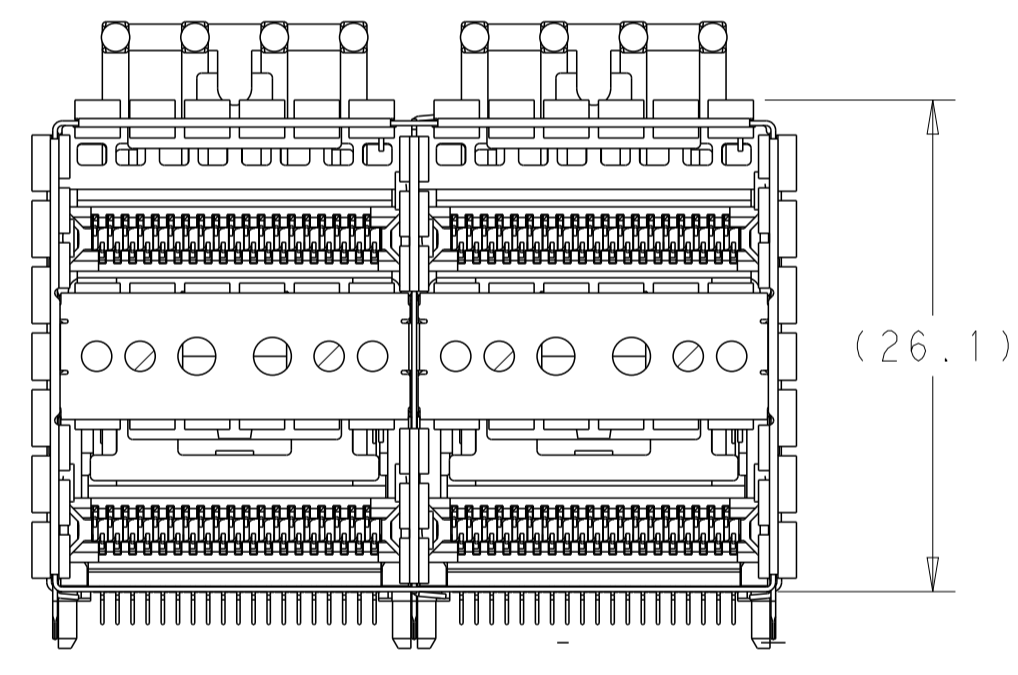
2289129-5
2289129-7
LEFT INDICATORS UP(2 LIGHT PIPES)
SCALE 5:2



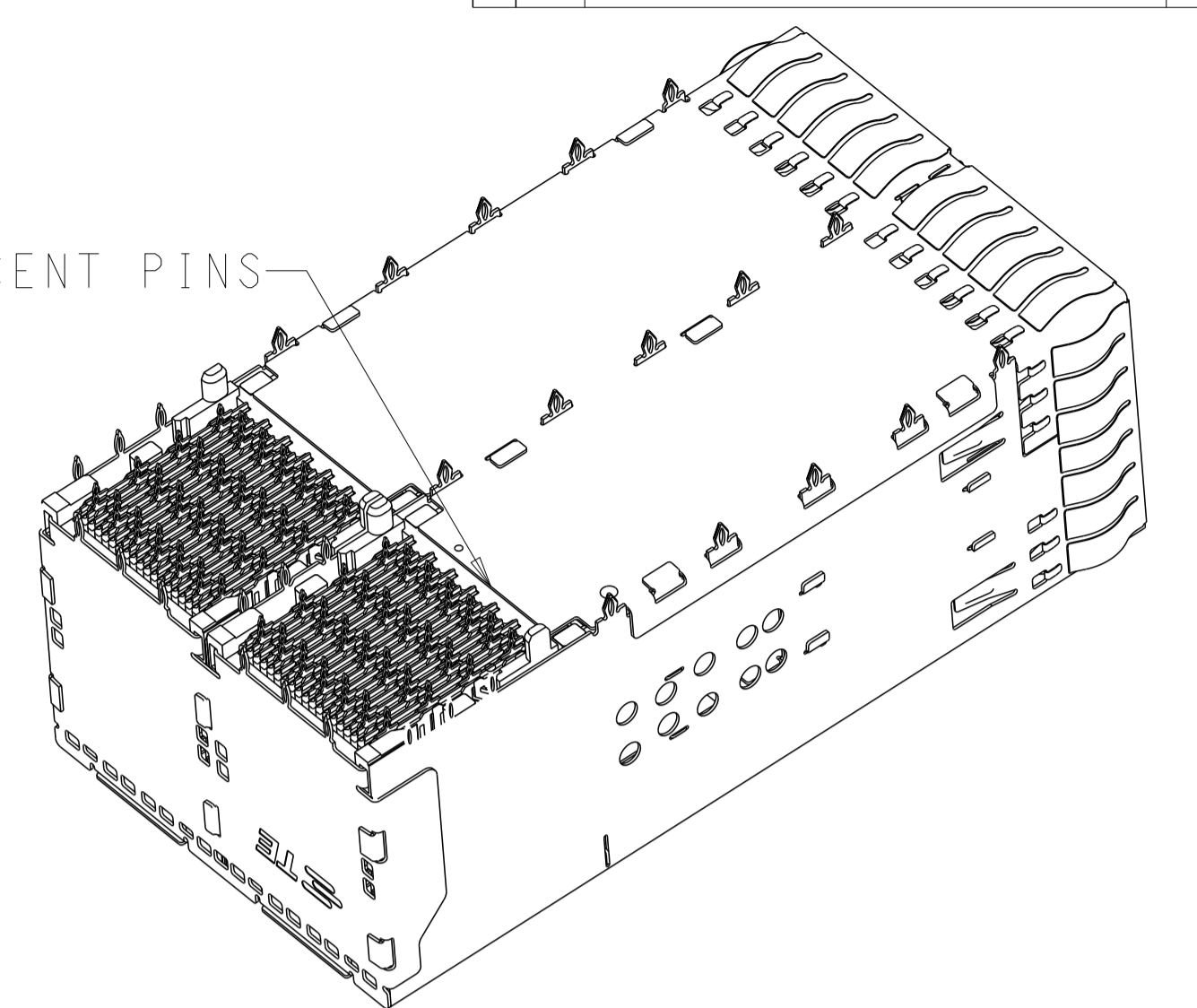
2289129-6
ALL INDICATORS DOWN
SCALE 5:2



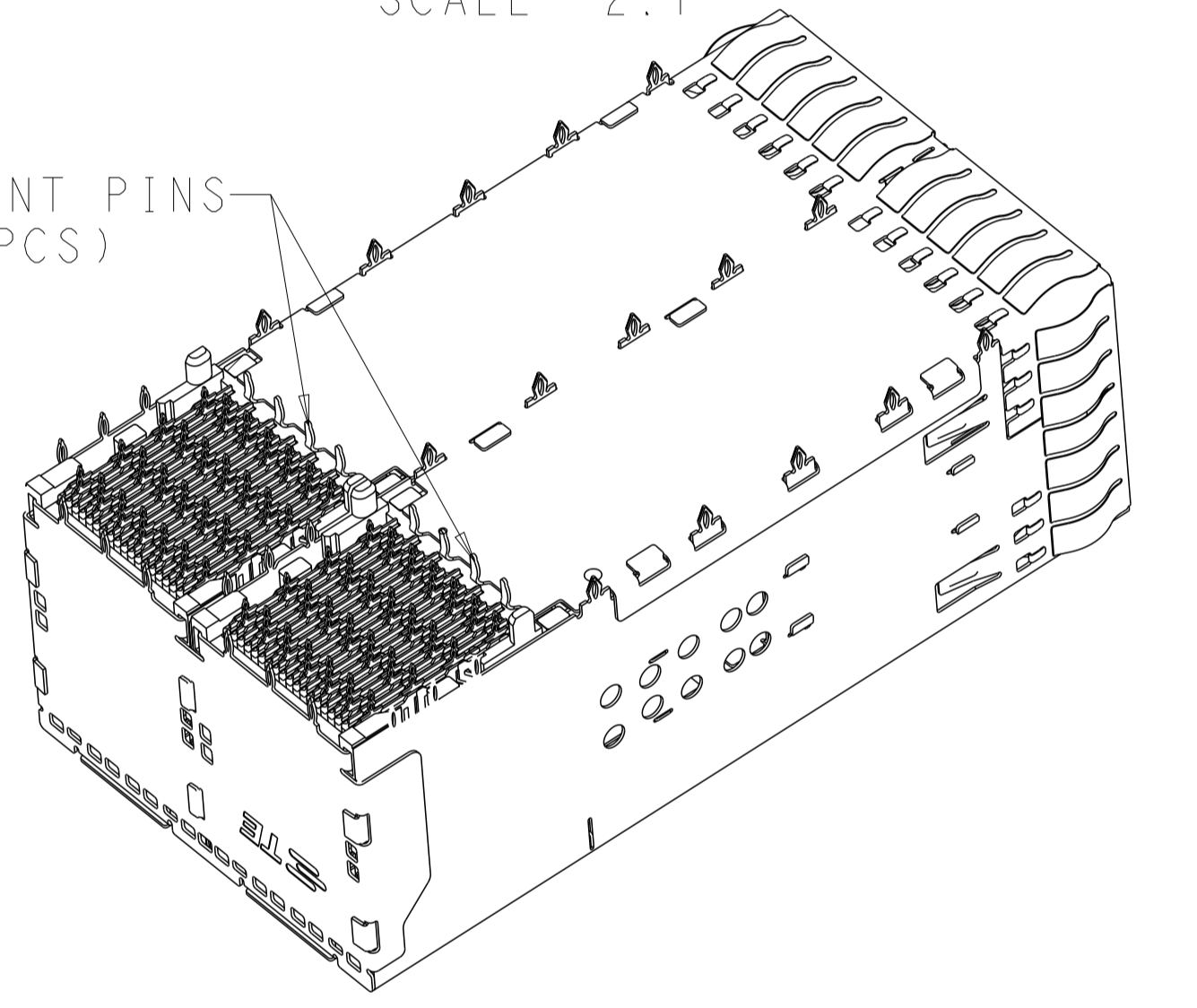
2289129-8
SCALE 5:2



2289129-9 SAME TO 2289129-8
EXCEPT REMOVE THE BOTTOM SPRINGS
SCALE 5:2

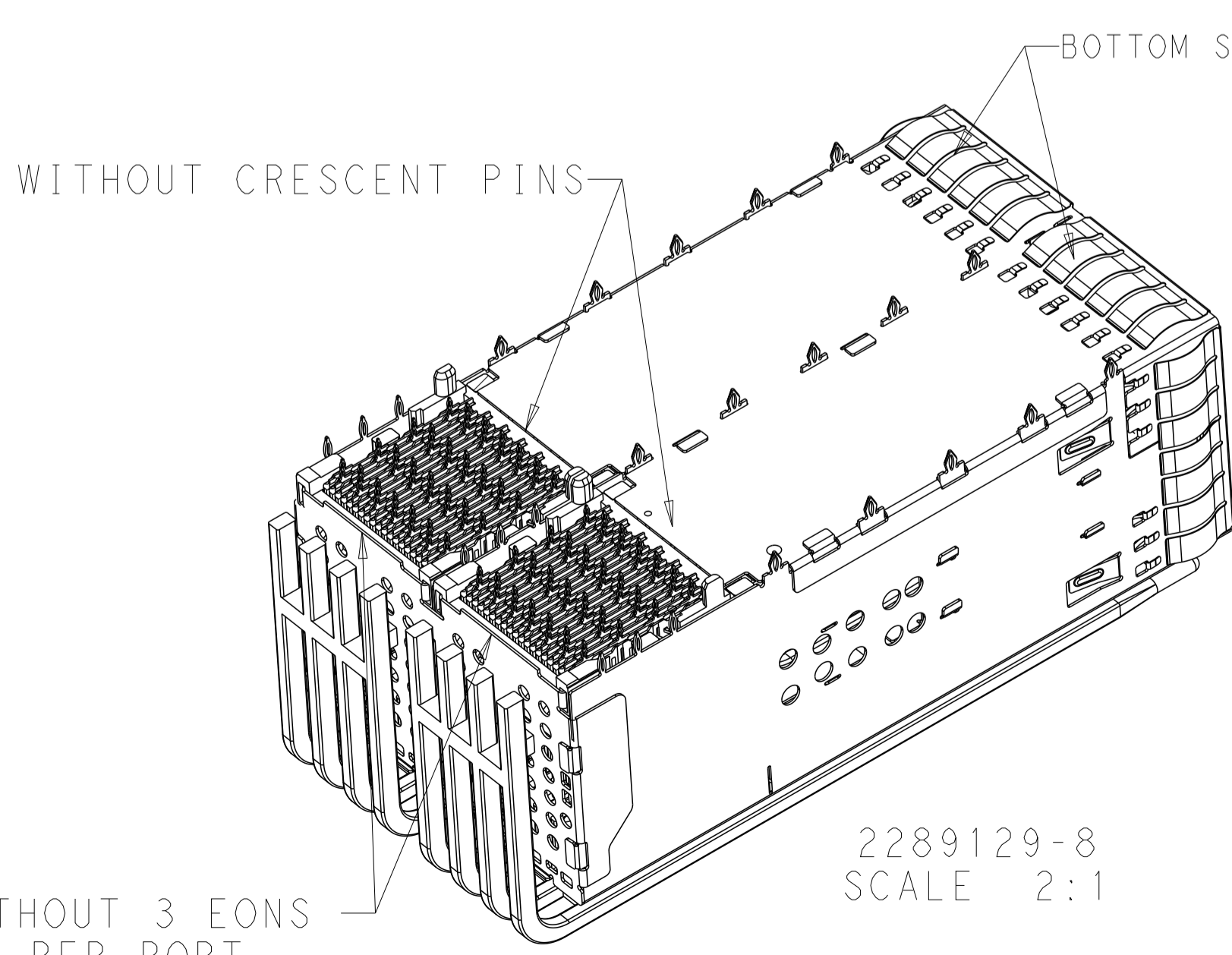


2289129-5, 2289129-7
WITHOUT CRESCENT PINS AS SHOWN
SCALE 2:1

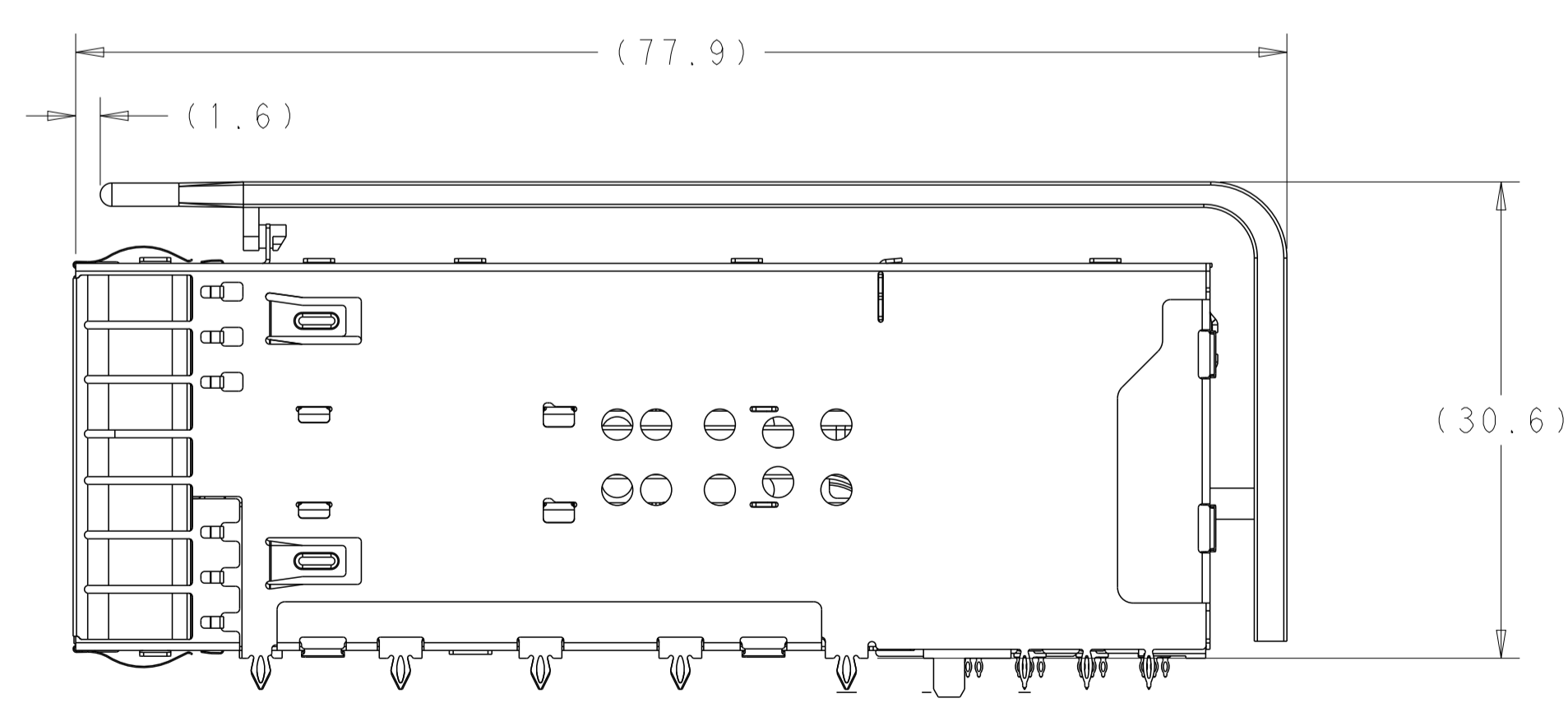


CRESCENT PINS
(8PCS)

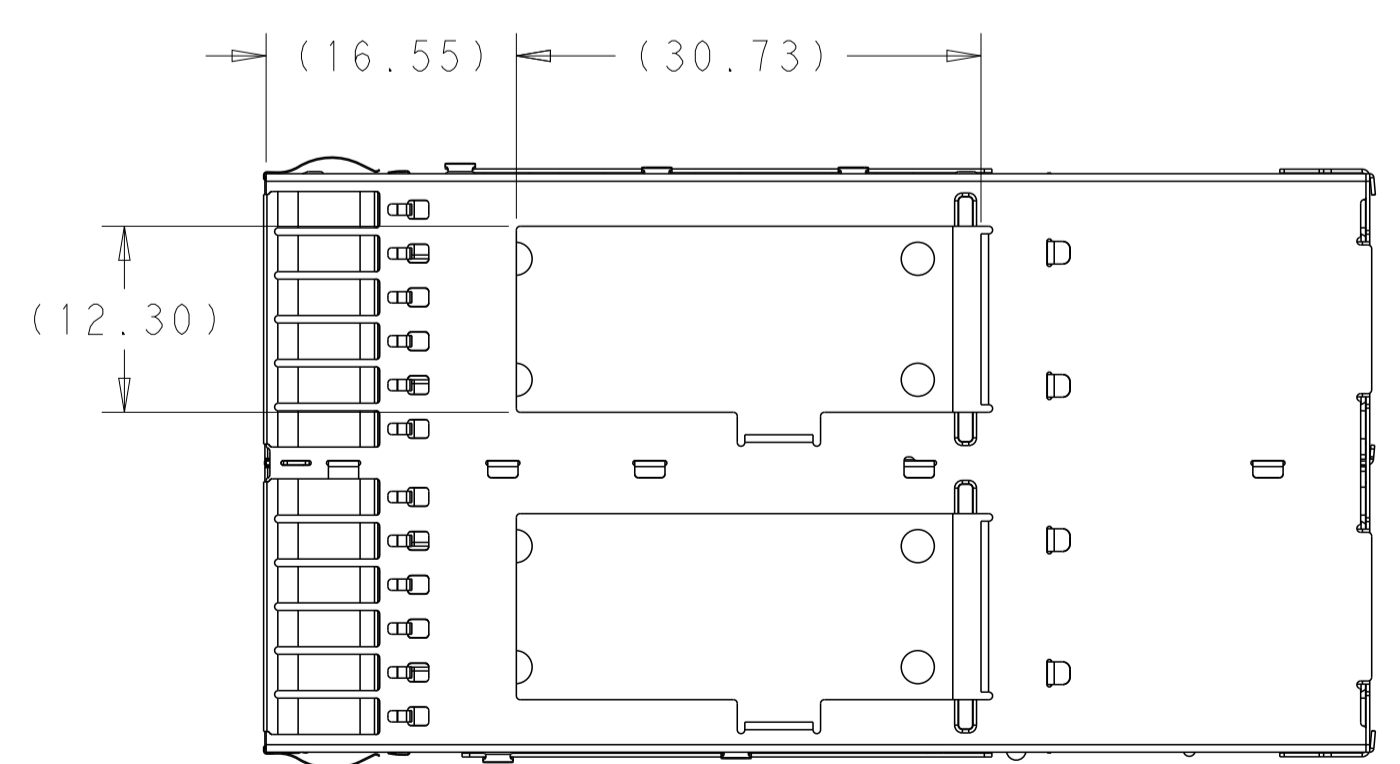
2289129-1 TO 2289129-4 & 2289129-6,
WITH CRESCENT PINS AS SHOWN
SCALE 2:1



2289129-8
SCALE 2:1
WITHOUT 3 EONS PER PORT



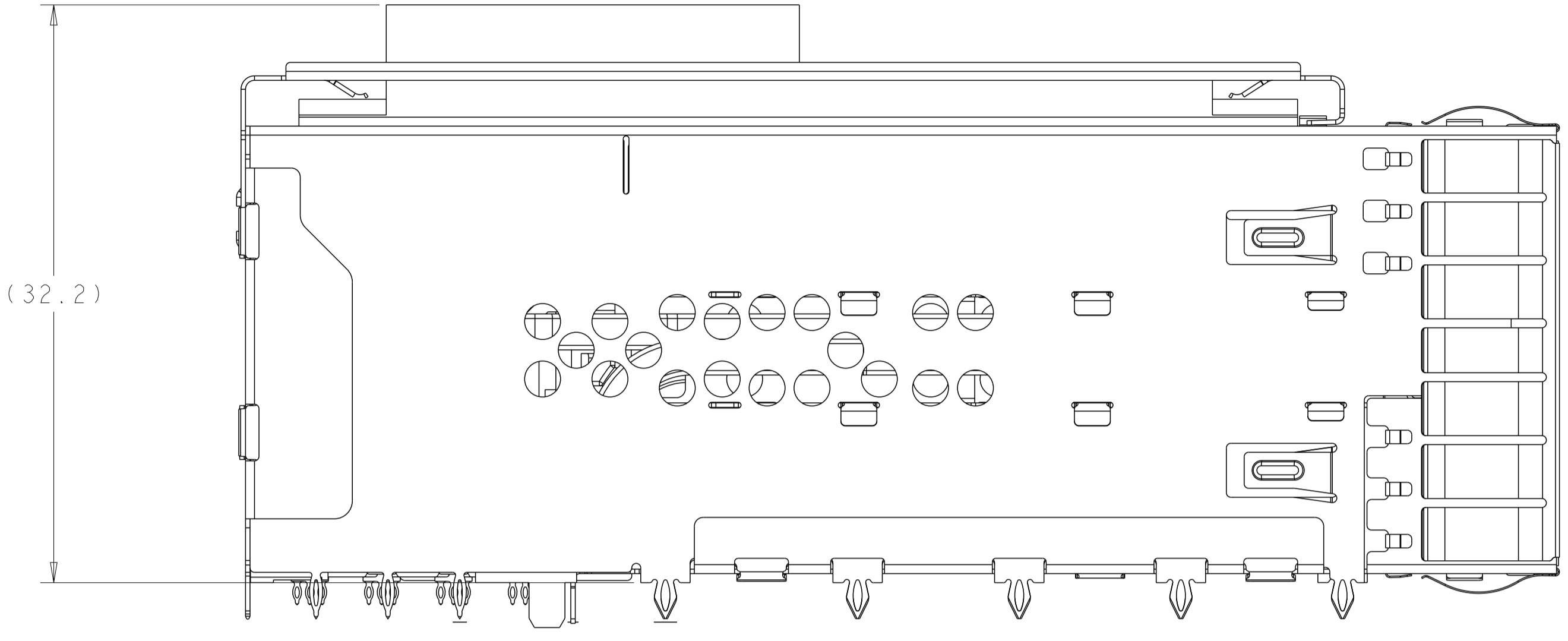
2289129-8
2289129-9 WITHOUT BOTTOM SPRINGS
SCALE 5:2



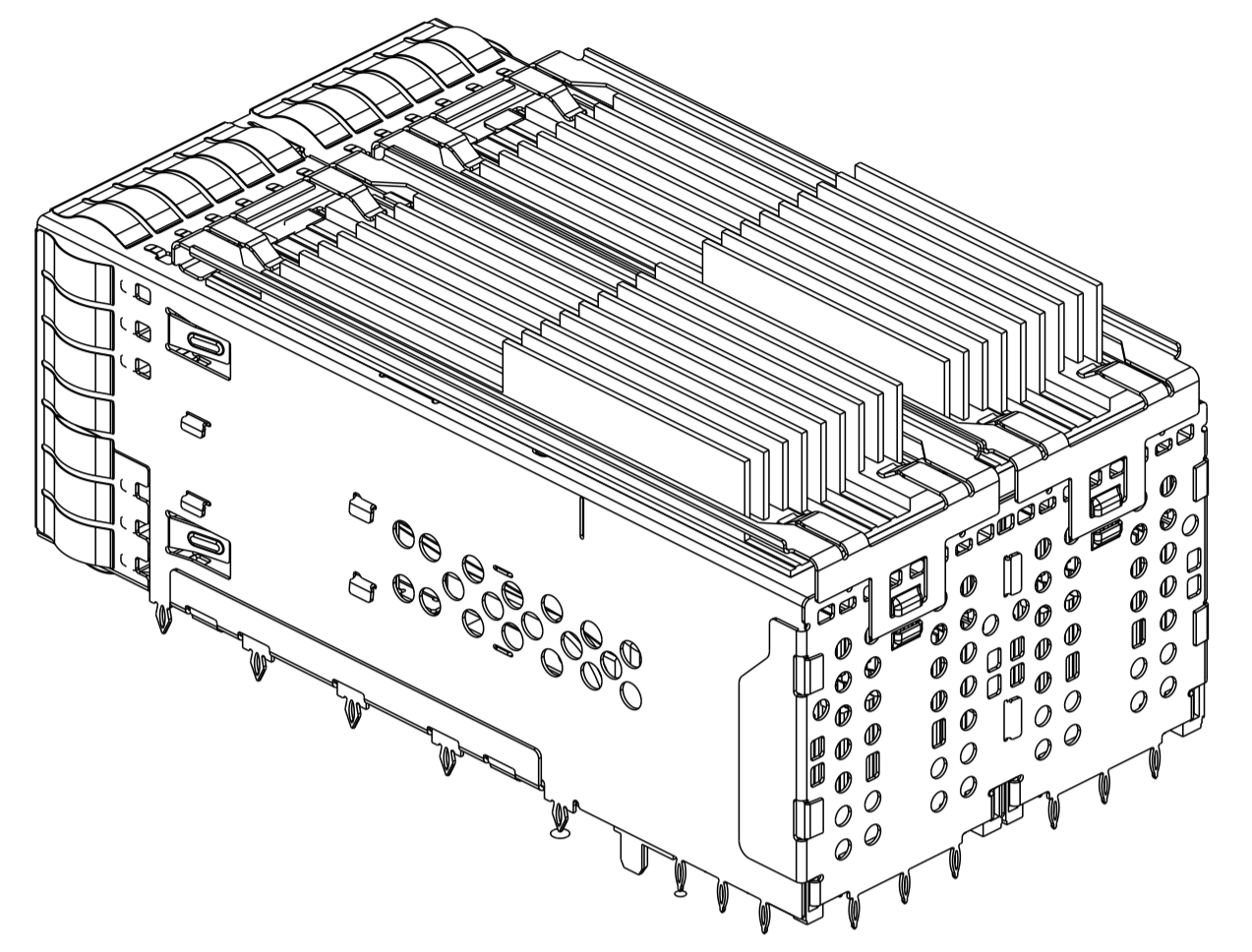
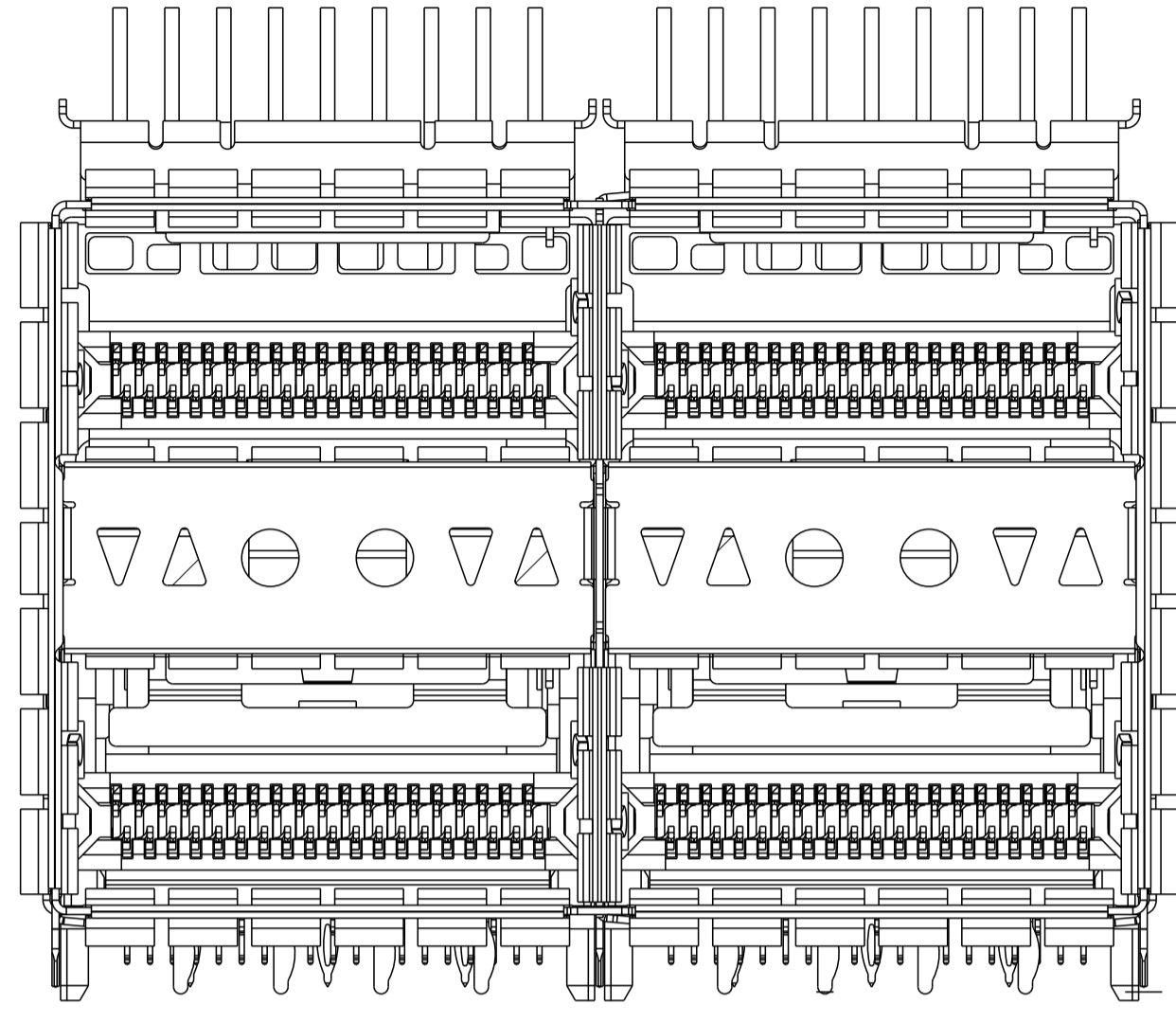
2289129-7 AS SHOWN WITH TOP SLOTS
SCALE 2:1

THIS DRAWING IS A CONTROLLED DOCUMENT.		OWN: TIM XUE 30NOV2014	TE Connectivity
DIMENSIONS: mm		CHK: JASON YANG 30NOV2014	
TOLERANCES UNLESS OTHERWISE SPECIFIED:		APVD: JASON YANG 30NOV2014	NAME: ZOSFP+ 2X2 WITH EMI SPRING FINGERS 4 INTERNAL LIGHT PIPES
0 PLC ±		PRODUCT SPEC: 108-60102	
1 PLC ±0.25		APPLICATION SPEC: 114-60015	SIZE: CAGE CODE: DRAWING NO: A100779 WEIGHT: CUSTOMER DRAWING
2 PLC ±0.15		RESTRICTED TO: -	
3 PLC ±		SCALE: 4:1	SHEET 2 OF 6 REV F1
4 PLC ±		SEE NOTE 1	
ANGLES ±		SEE NOTE 2	

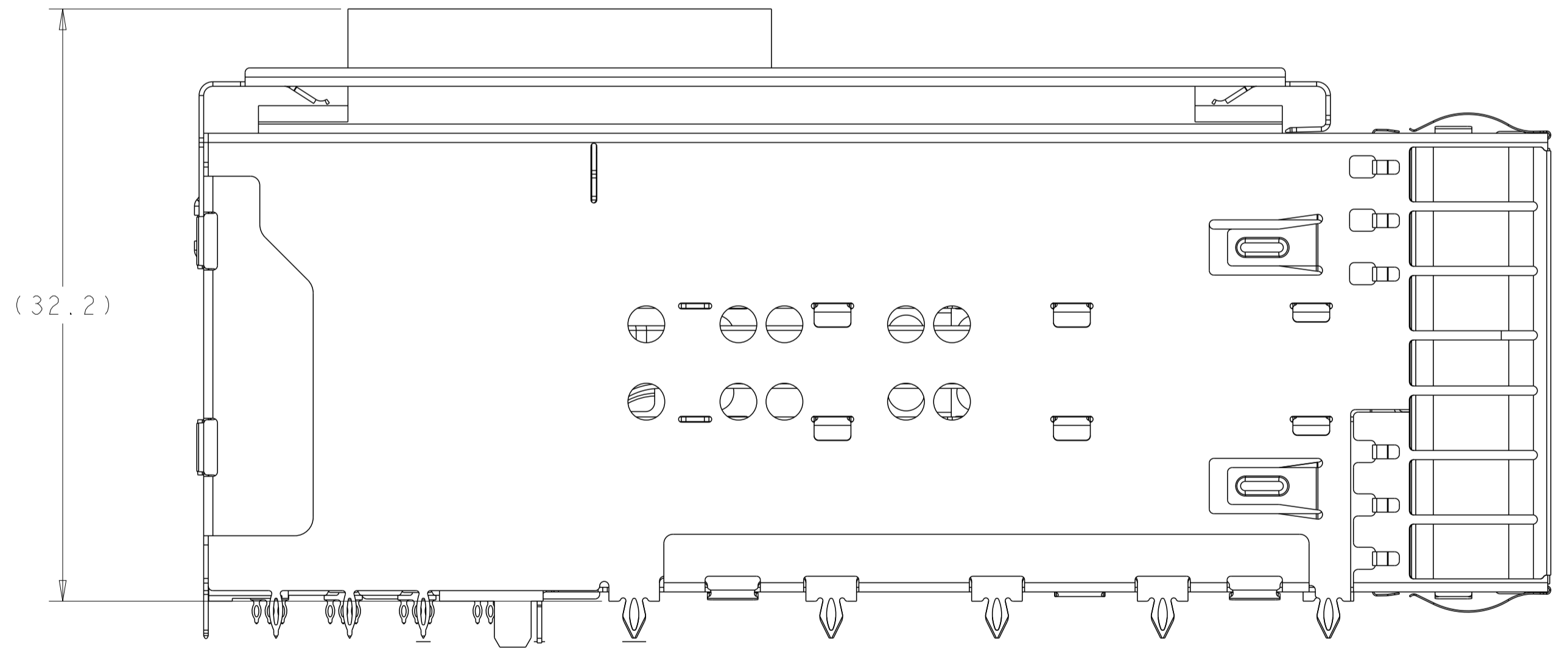
REVISIONS				
P.	LTN.	DESCRIPTION	DATE	APVD.
-	-	SEE SHEET 1	-	-



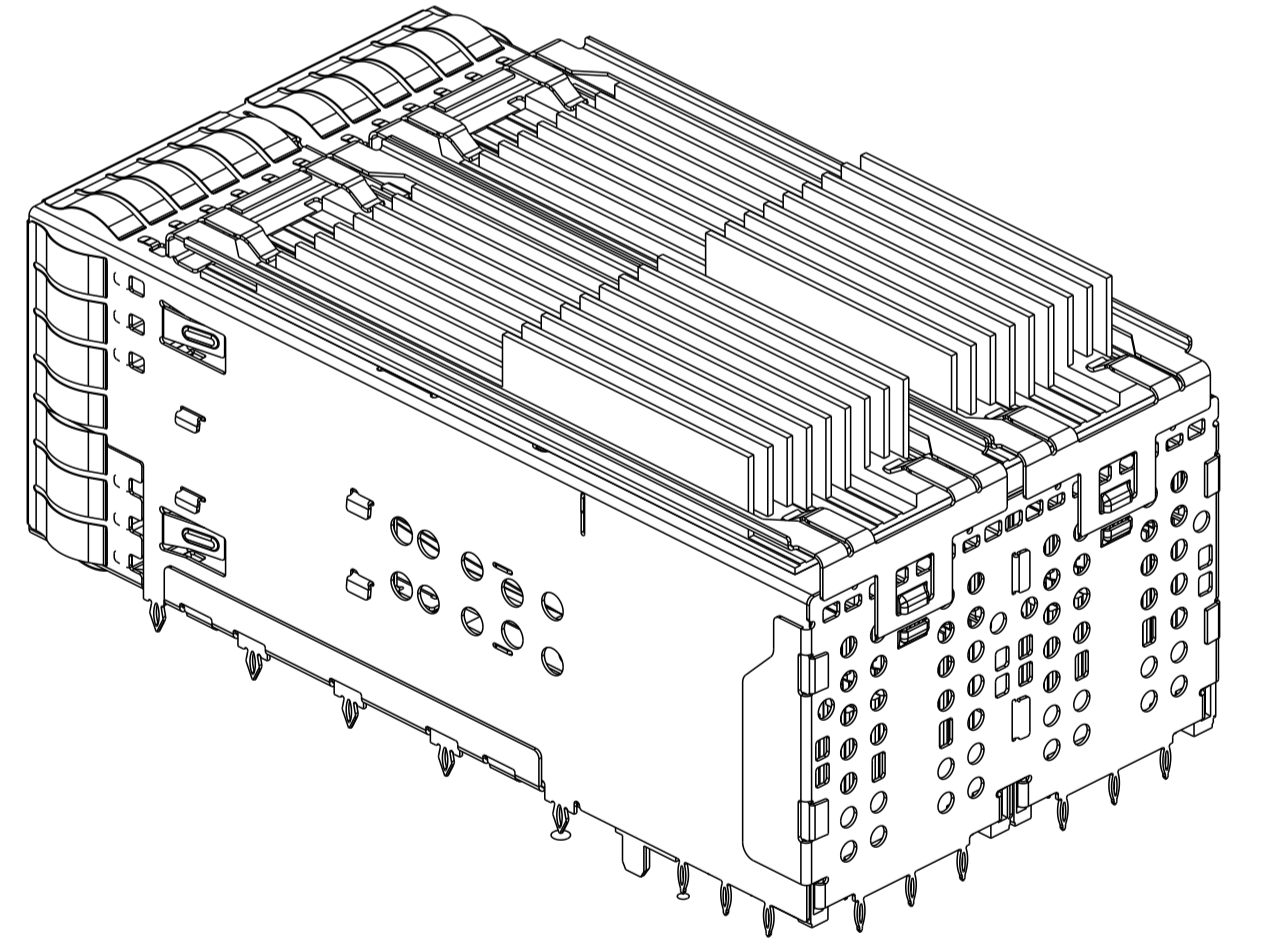
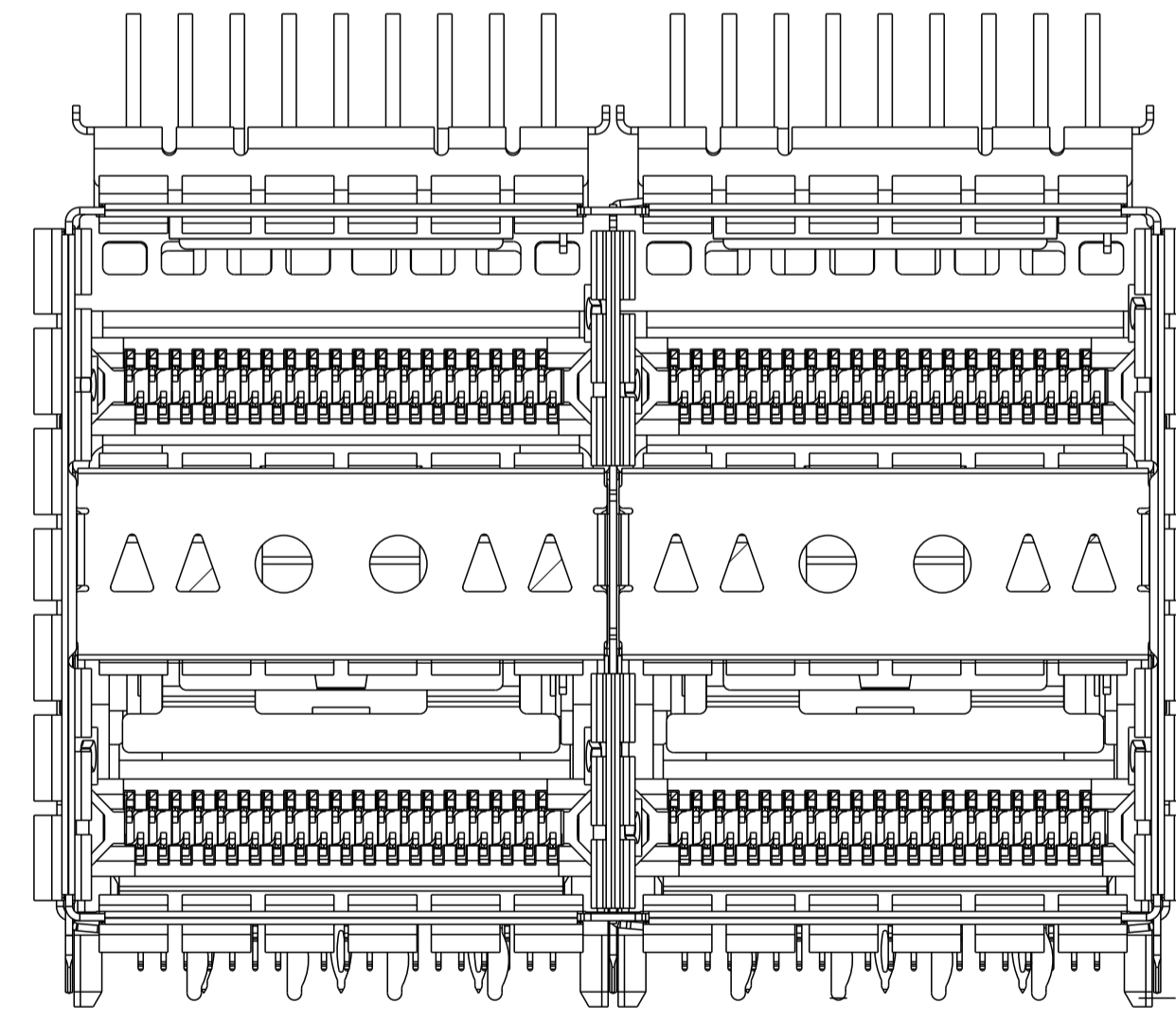
1-2289129-3
SCALE 4:1



1-2289129-3
SCALE 2:1



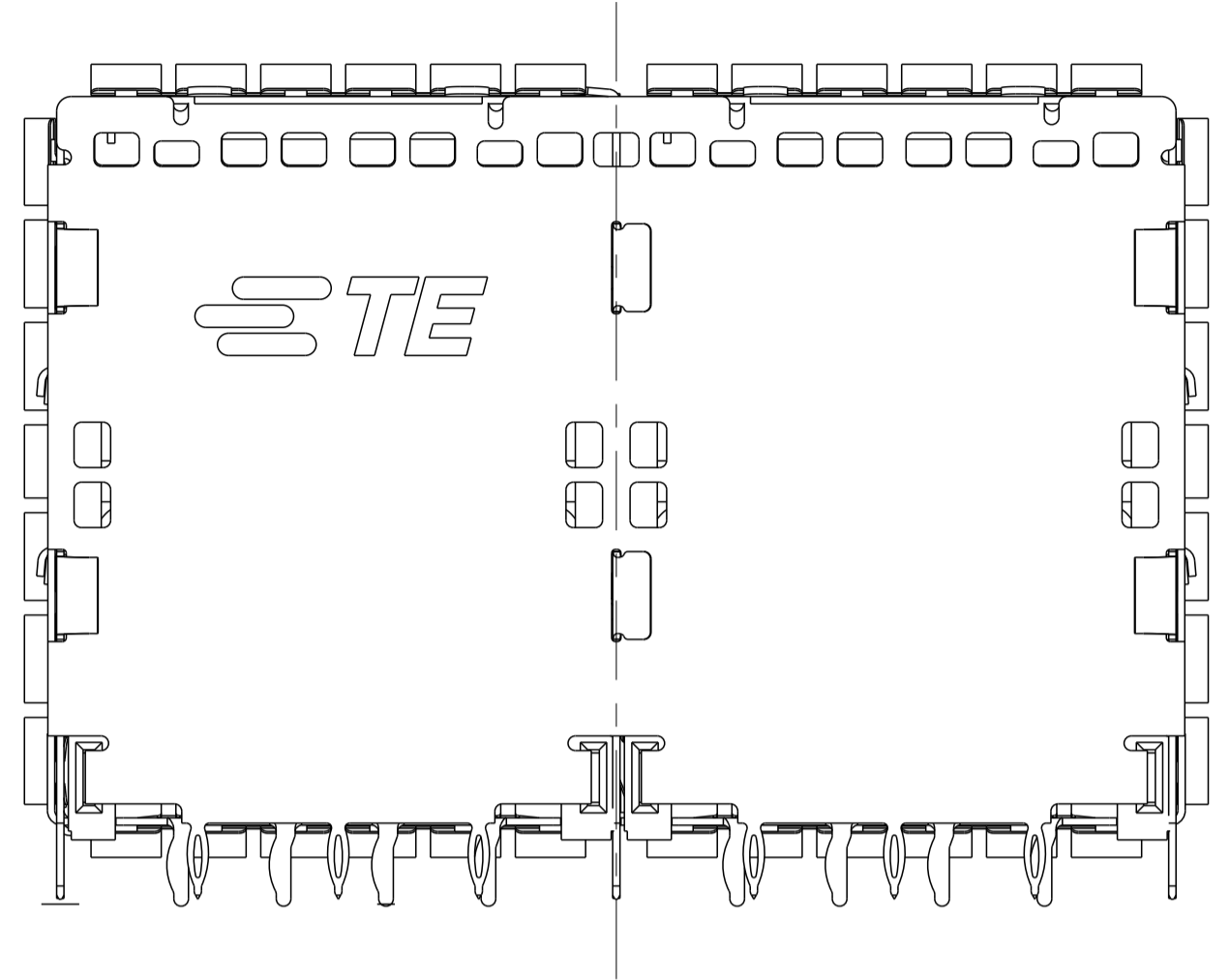
1-2289129-1
SCALE 4:1



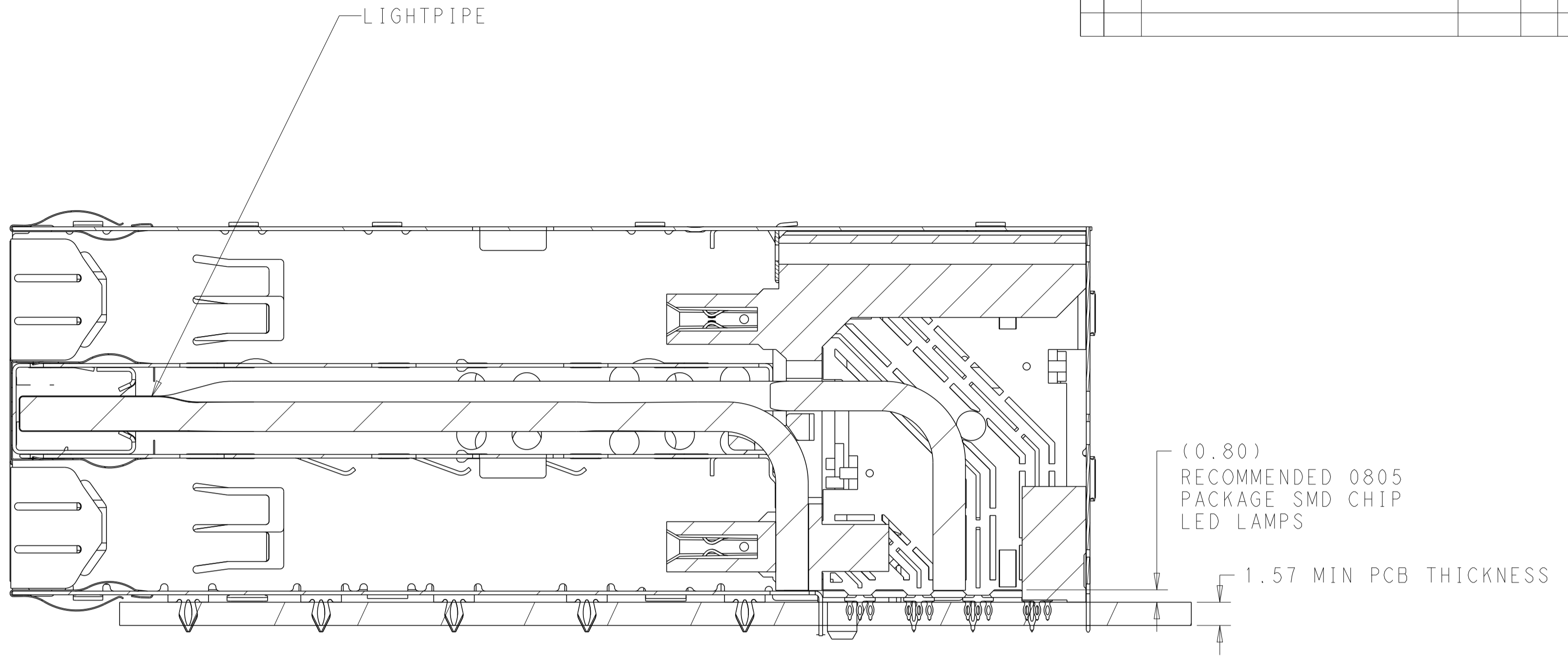
1-2289129-1
SCALE 2:1

THIS DRAWING IS A CONTROLLED DOCUMENT.		DWN: TIM XUE 30NOV2014 CHK: JASON YANG 30NOV2014 APVD: JASON YANG 30NOV2014	
DIMENSIONS: mm	TOLERANCES UNLESS OTHERWISE SPECIFIED: 0 PLC ± 1 PLC ±0.25 2 PLC ±0.15 3 PLC ± 4 PLC ± ANGLES ± FINISH	NAME: ZOSFP+ 2X2 WITH EMI SPRING FINGERS 4 INTERNAL LIGHT PIPES PRODUCT SPEC: 108-60102 APPLICATION SPEC: 114-60015	
MATERIAL: SEE NOTE 1	FINISH: SEE NOTE 2	WEIGHT: - CUSTOMER DRAWING	SIZE: A1 CAGE CODE: 00779 DRAWING NO: C=2289129 RESTRICTED TO: - SCALE: 4:1 SHEET 3 OF 6 REV: F1

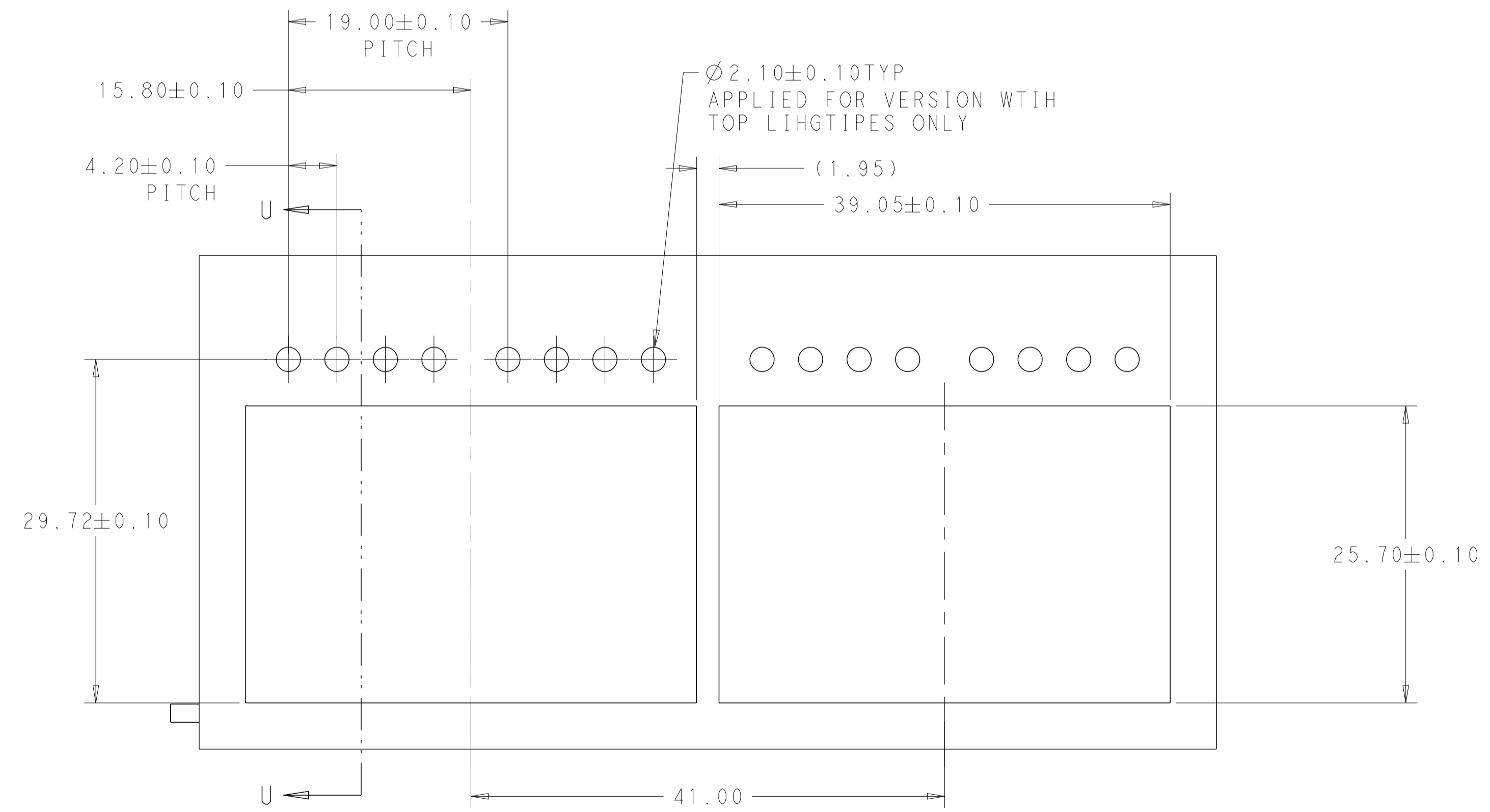
REVISIONS				
P	LTM	DESCRIPTION	DATE	APVD
-	-	SEE SHEET 1	-	-



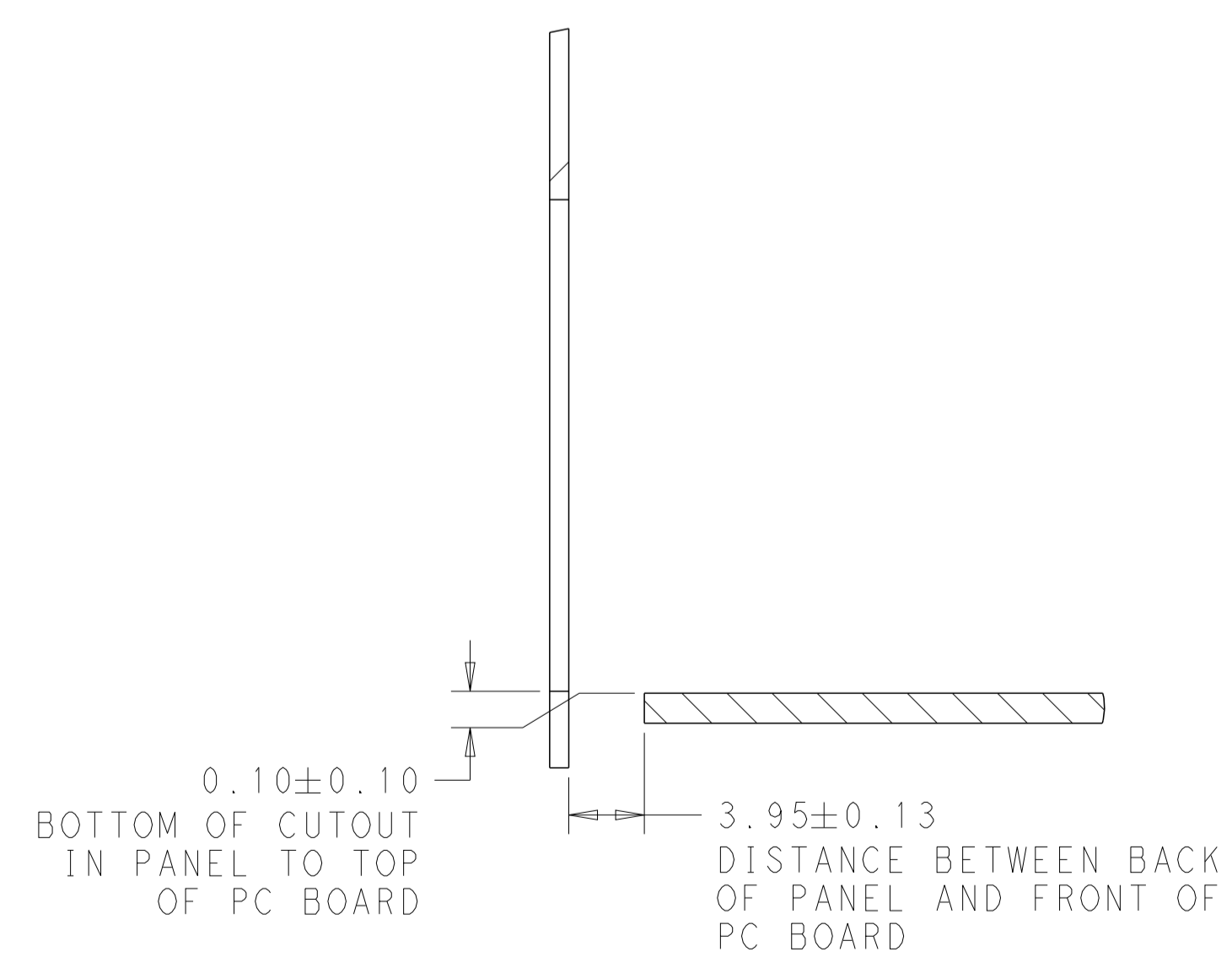
VIEW Y-Y



SECTION V-V
SCALE 4:1



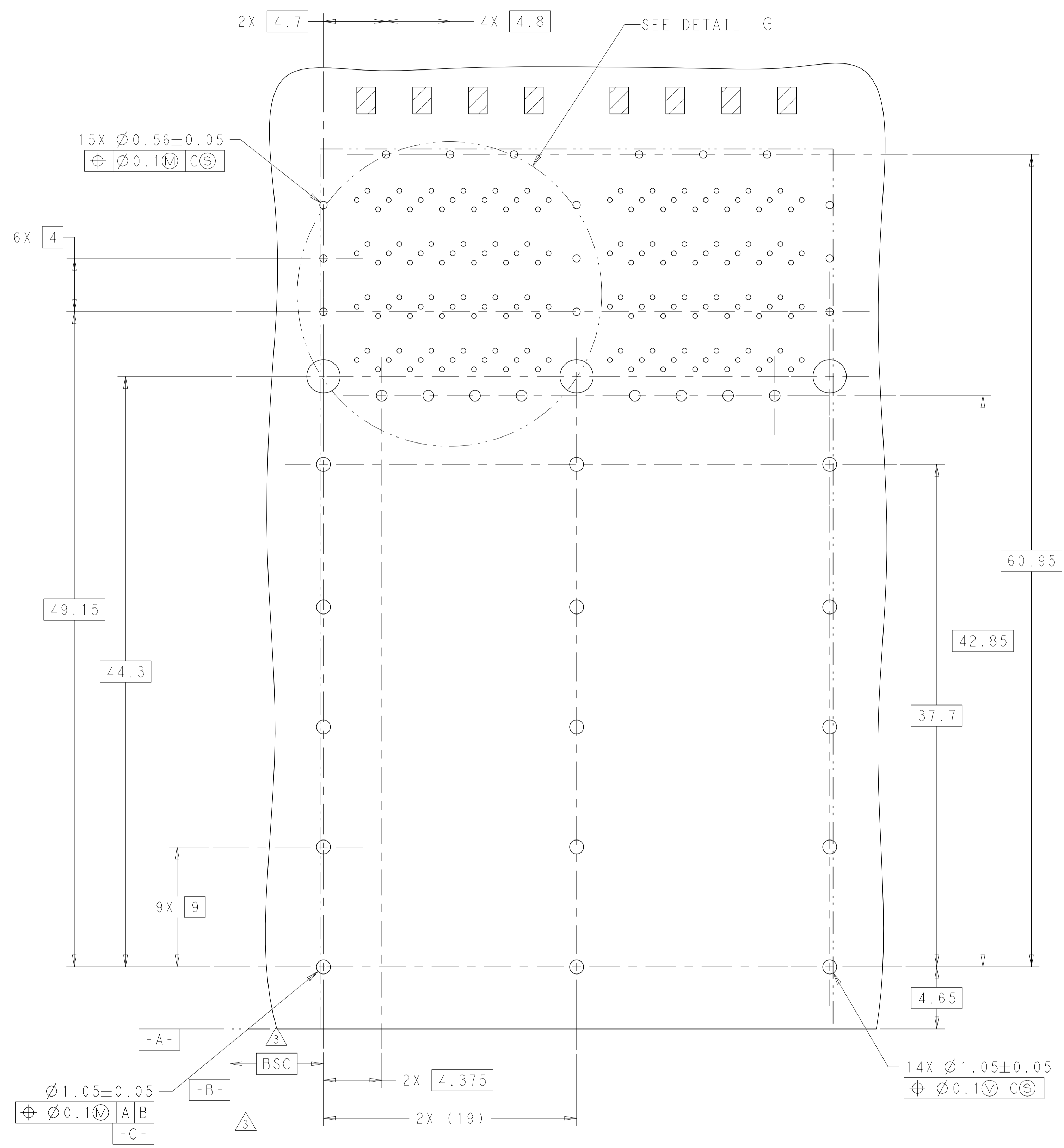
RECOMMENDED PANEL CUTOUT AND PC BOARD, PANEL POSITION
SCALE 3:1



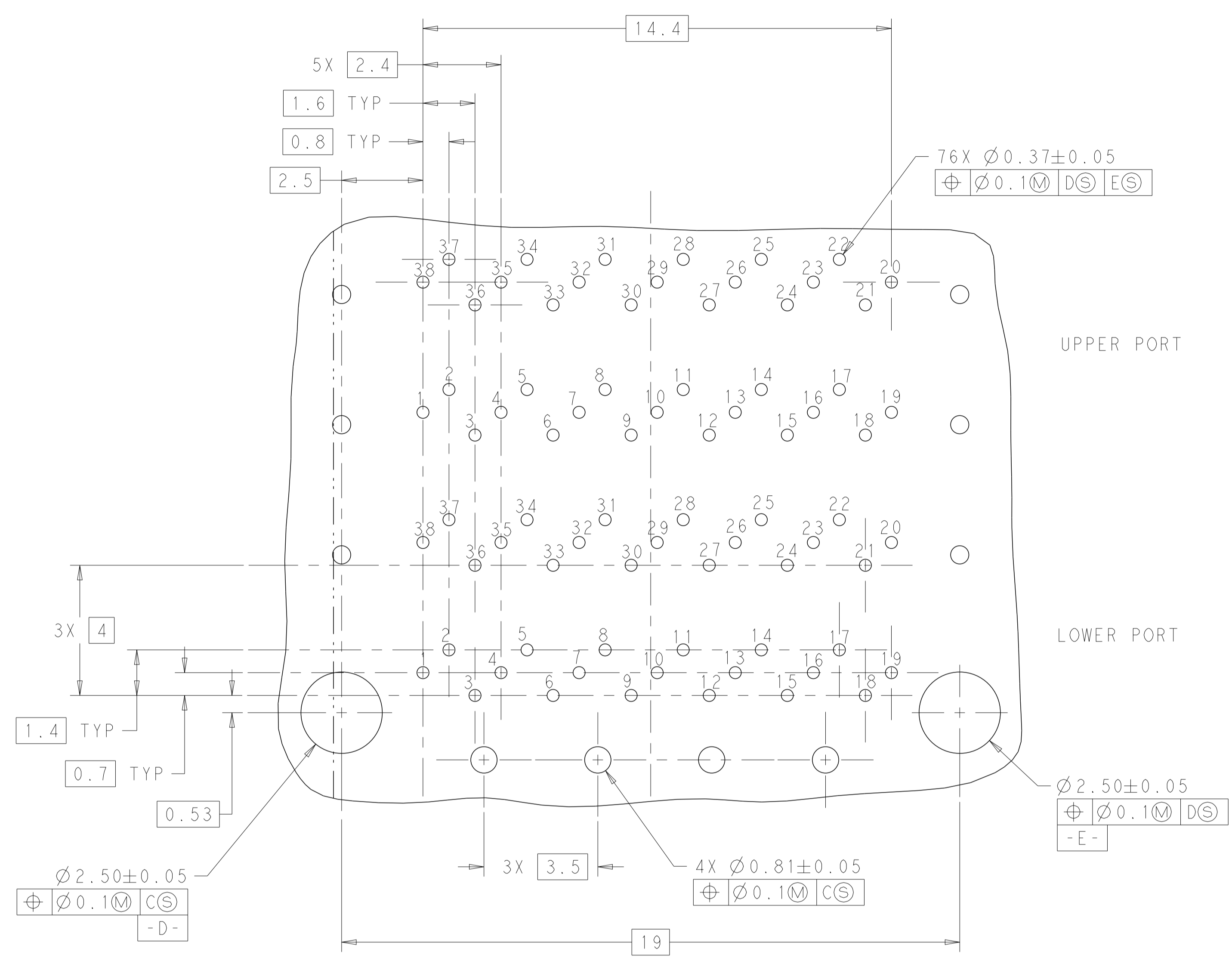
SECTION U-U

THIS DRAWING IS A CONTROLLED DOCUMENT.		DMN: TIM XUE 30NOV2014	
DIMENSIONS: mm		CHK: JASON YANG 30NOV2014	
TOLERANCES UNLESS OTHERWISE SPECIFIED:		APVD: JASON YANG 30NOV2014	TE TE Connectivity NAME: ZOSFP+ 2X2 WITH EMI SPRING FINGERS 4 INTERNAL LIGHT PIPES
0 PLC ±		PRODUCT SPEC: 108-60102	
1 PLC ±0.25		APPLICATION SPEC: 114-60015	SIZE: A1
2 PLC ±0.15		WEIGHT: -	CAGE CODE: 2289129
3 PLC ±		CUSTOMER DRAWING	SCALE: 4:1
4 PLC ±			SHEET: 4 OF 6
ANGLES ±			REV: F1
FINISH ±			

REVISIONS				
P.	LTN.	DESCRIPTION	DATE	APPV.
-	-	SEE SHEET 1	-	-



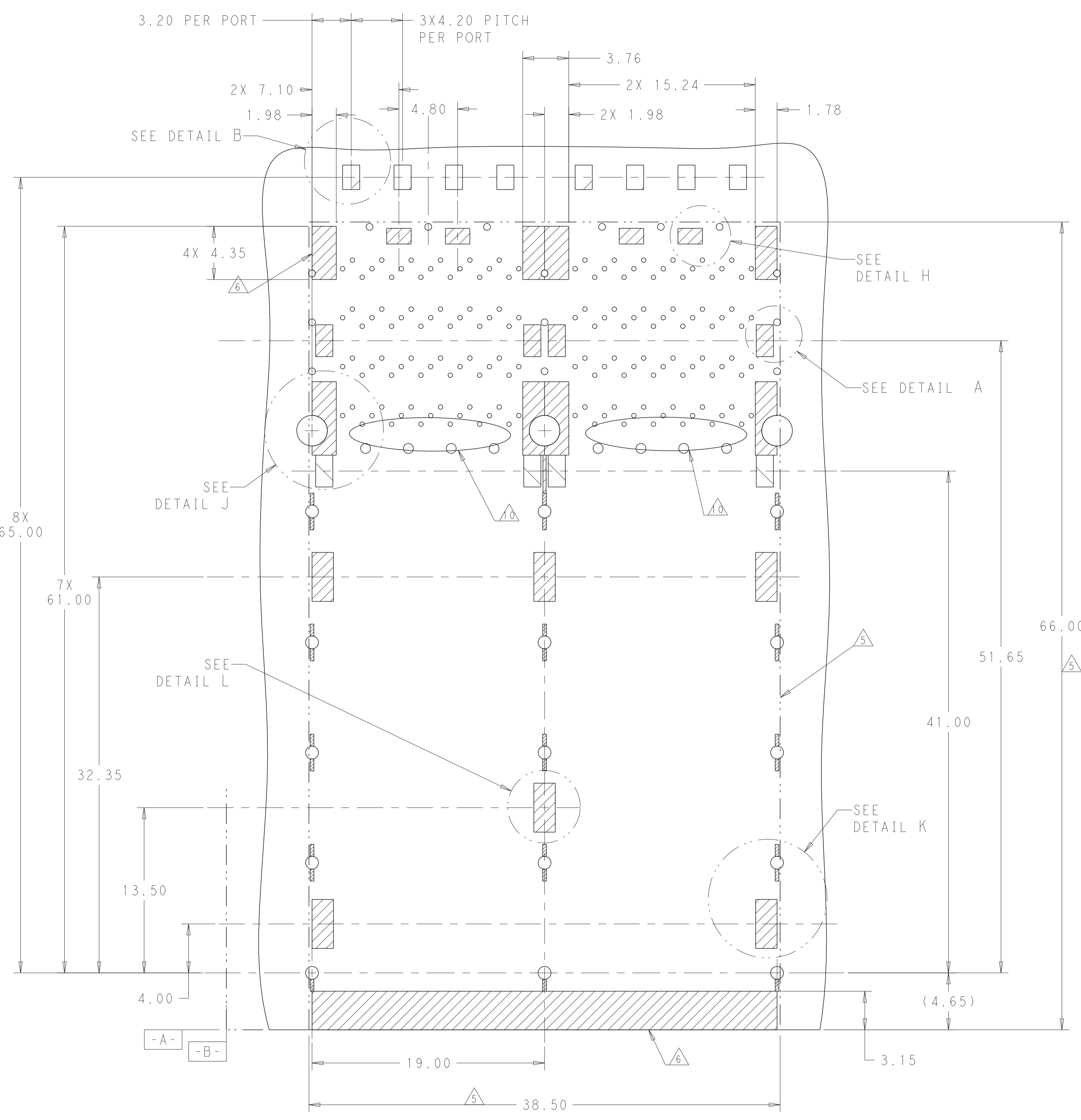
RECOMMENDED PCB BOARD LAYOUT
COMPONENT SIDE OF BOARD
(PCB TOLERANCE ±0.05)
SCALE 5:1



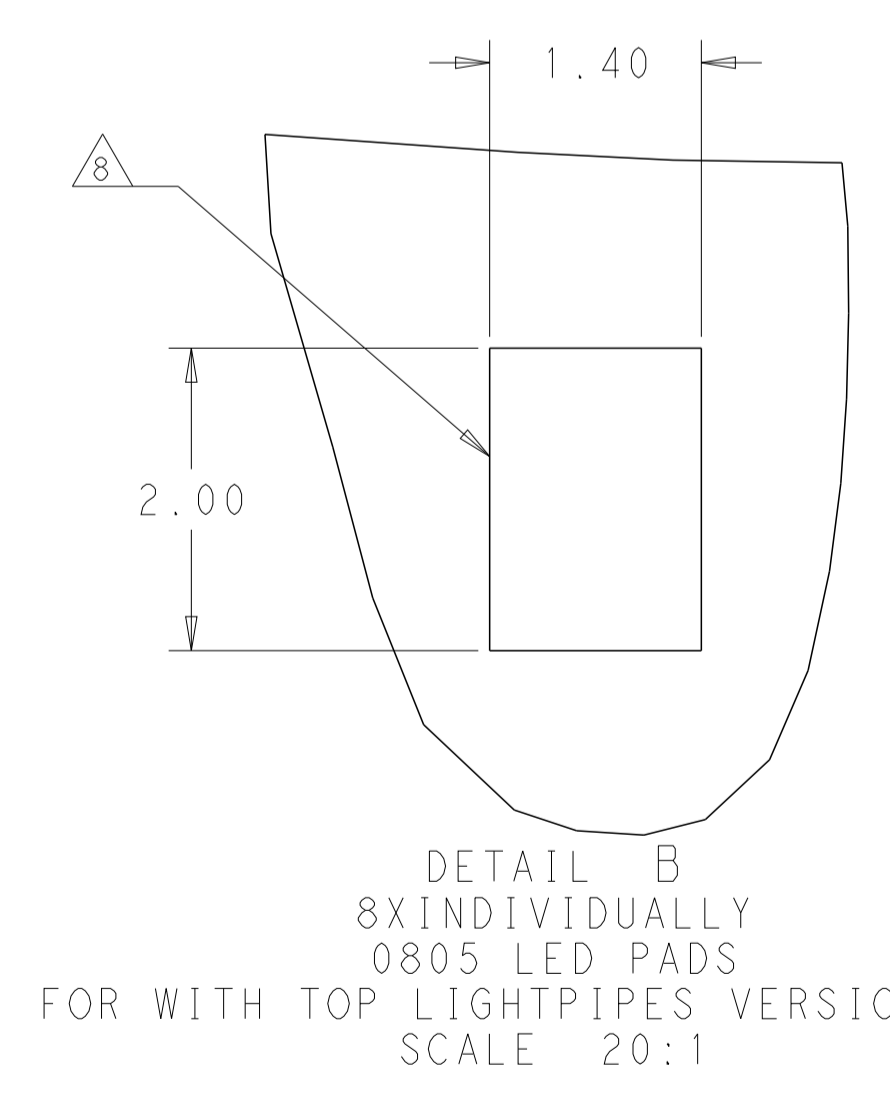
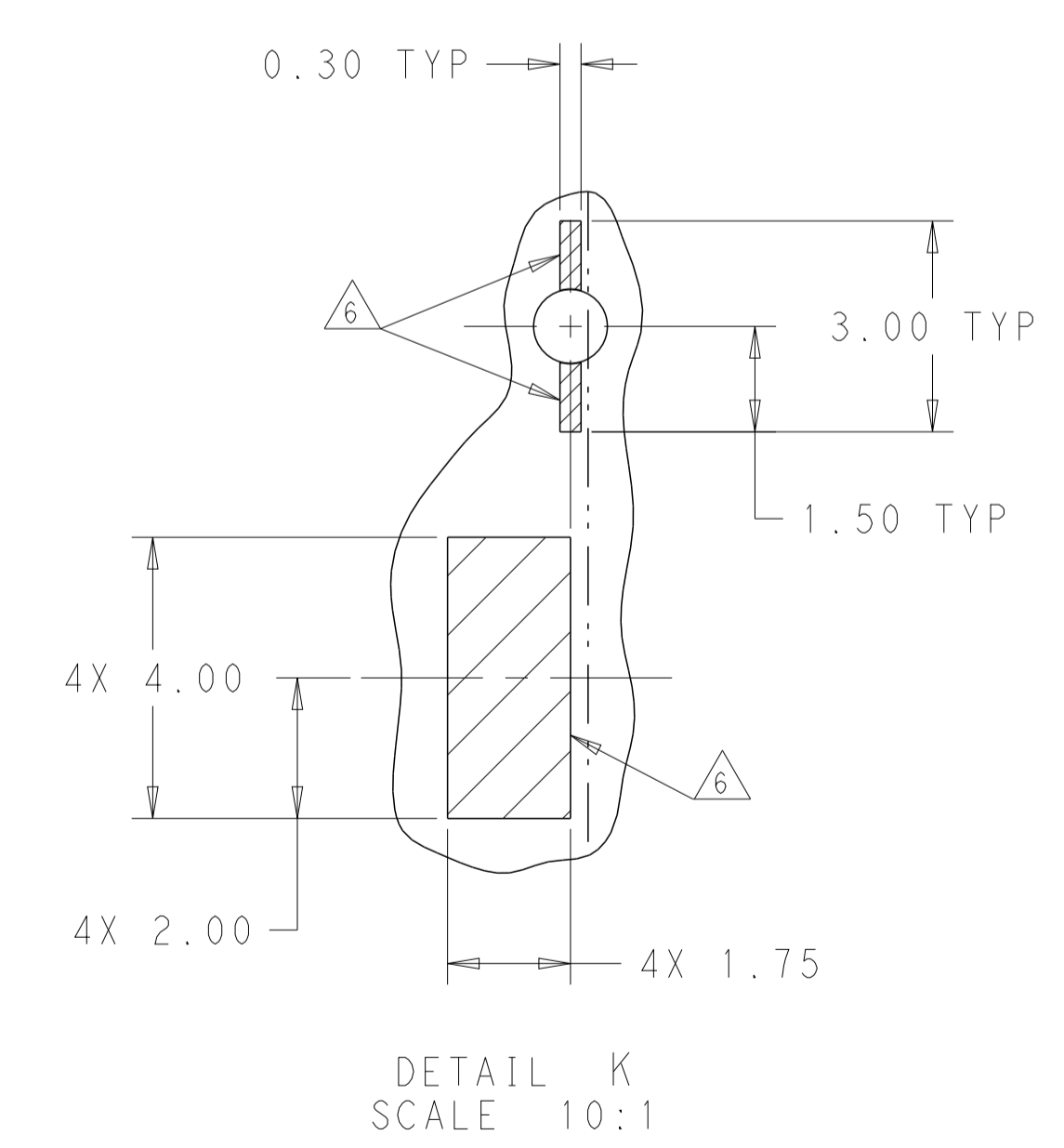
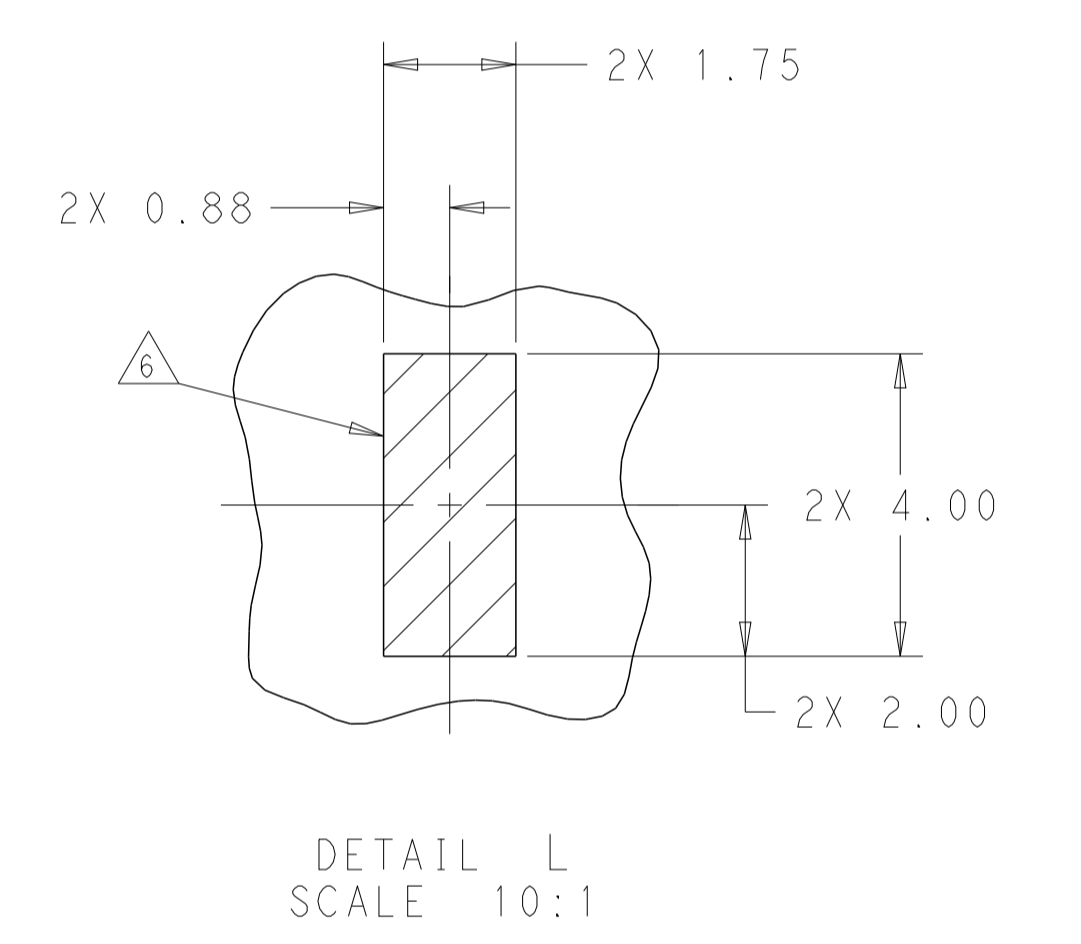
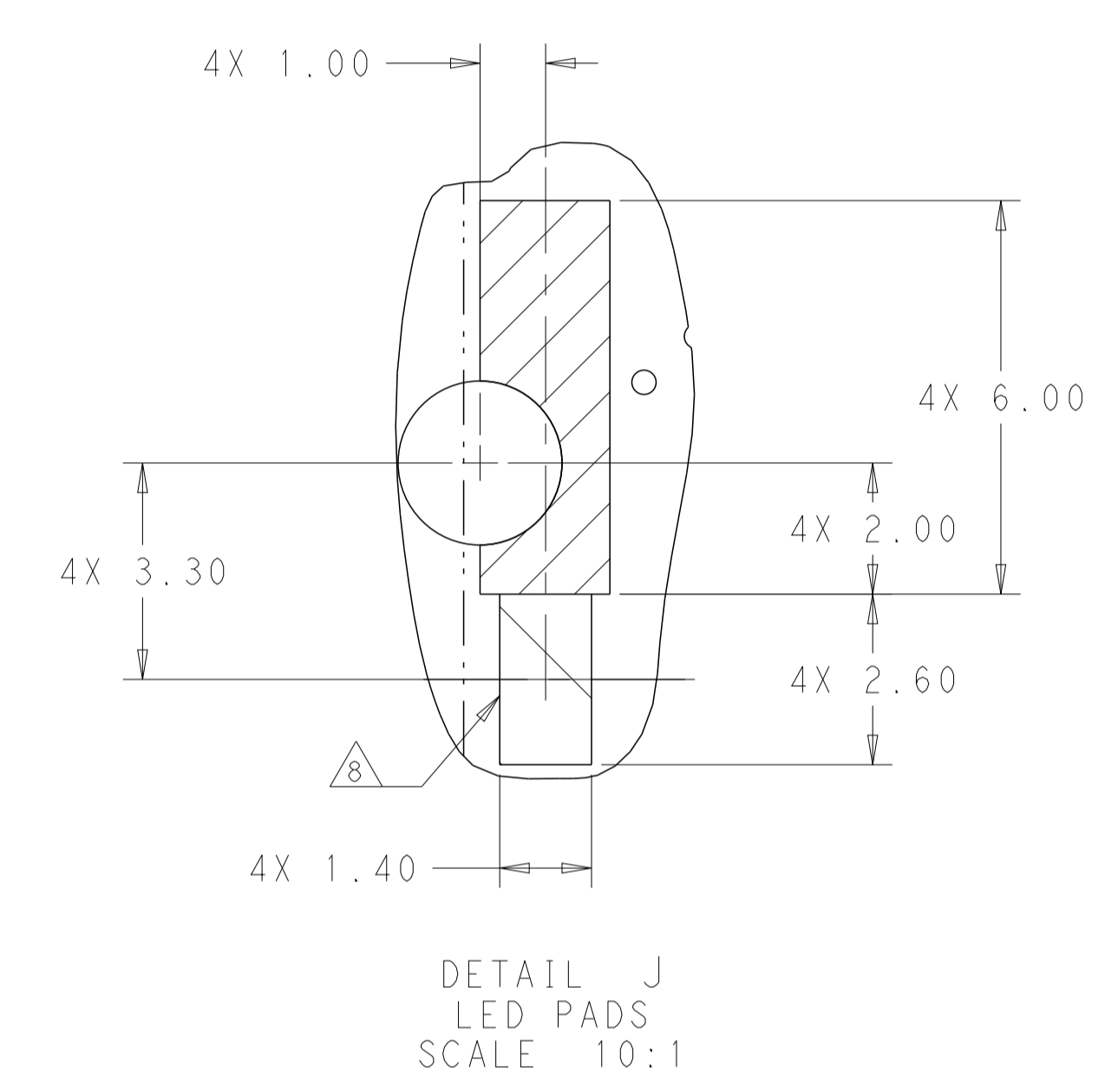
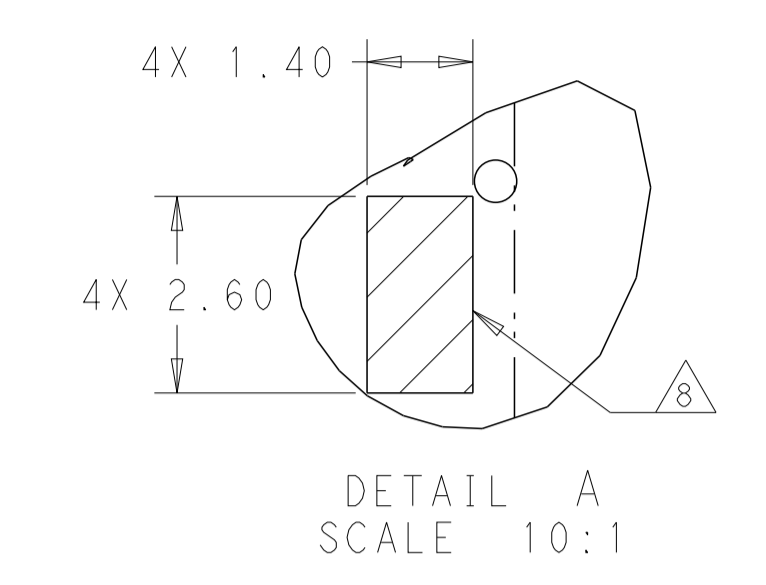
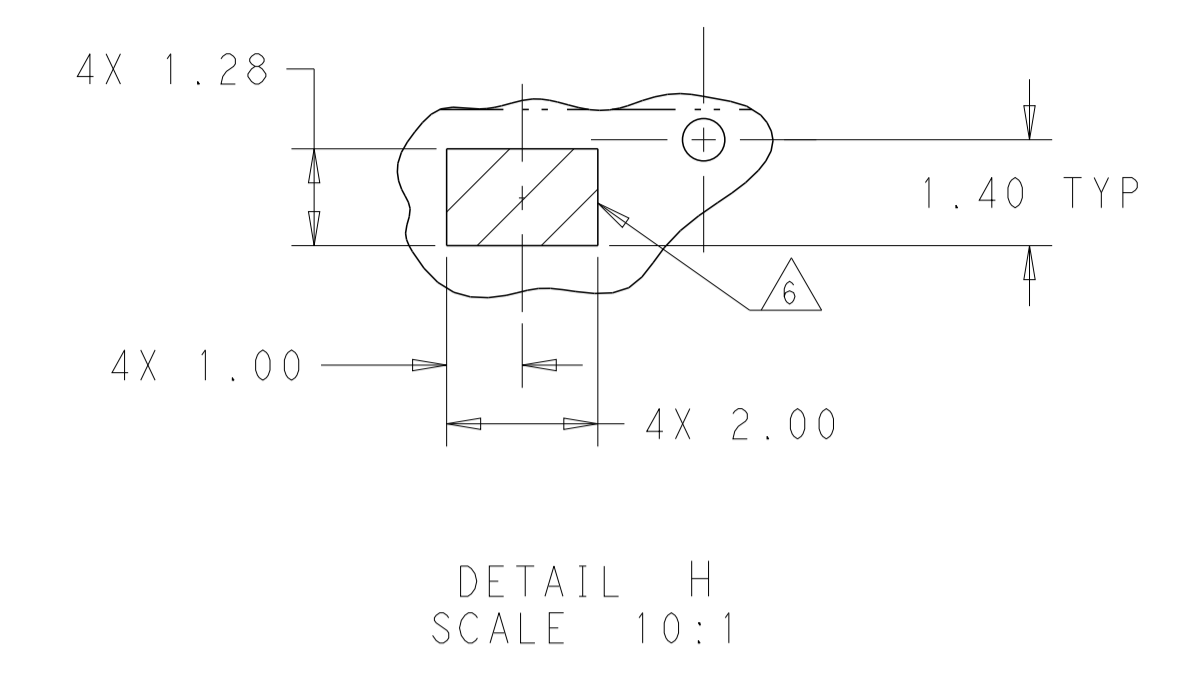
DETAIL G
SCALE 10:1

THIS DRAWING IS A CONTROLLED DOCUMENT.		DWN: TIM XUE 30NOV2014 CHK: JASON YANG 30NOV2014 APVD: JASON YANG 30NOV2014	TE Connectivity
DIMENSIONS: mm TOLERANCES UNLESS OTHERWISE SPECIFIED: 0 PLC ± 1 PLC ±0.25 2 PLC ±0.15 3 PLC ± 4 PLC ± ANGLES ±		NAME: ZOSFP+ 2X2 WITH EMI SPRING FINGERS 4 INTERNAL LIGHT PIPES PRODUCT SPEC: 108-60102 APPLICATION SPEC: 114-60015	
MATERIAL: SEE NOTE 1		FINISH: SEE NOTE 2	SIZE: A1 CAGE CODE: 100779 DRAWING NO: C=2289129 CUSTOMER DRAWING
SCALE: 1:1		SHEET: 5 OF 6	REV: F1

REVISIONS				
P	LTN	DESCRIPTION	DATE	APVD
-	-	SEE SHEET 1	-	-



KEEPOUT AREAS
COMPONENT SIDE OF BOARD
(PCB TOLERANCE ± 0.05)
SCALE 5:1



THIS DRAWING IS A CONTROLLED DOCUMENT.		DMN: TIM XUE 30NOV2014	 TE Connectivity
DIMENSIONS: mm		CHK: JASON YANG 30NOV2014	
TOLERANCES UNLESS OTHERWISE SPECIFIED:		APVD: JASON YANG 30NOV2014	NAME: ZOSFP+ 2X2 WITH EMI SPRING FINGERS
0 PLC ± 0.25		PRODUCT SPEC: 108-60102	4 INTERNAL LIGHT PIPES
1 PLC ± 0.15		APPLICATION SPEC: 114-60015	SIZE: A1
2 PLC ± 0.10		WEIGHT: -	CAGE CODE: 2289129
3 PLC ± 0.08		CUSTOMER DRAWING	SCALE: 1:1
4 PLC ± 0.05			SHEET 6 OF 6
ANGLES ± 0.10			REV: F1