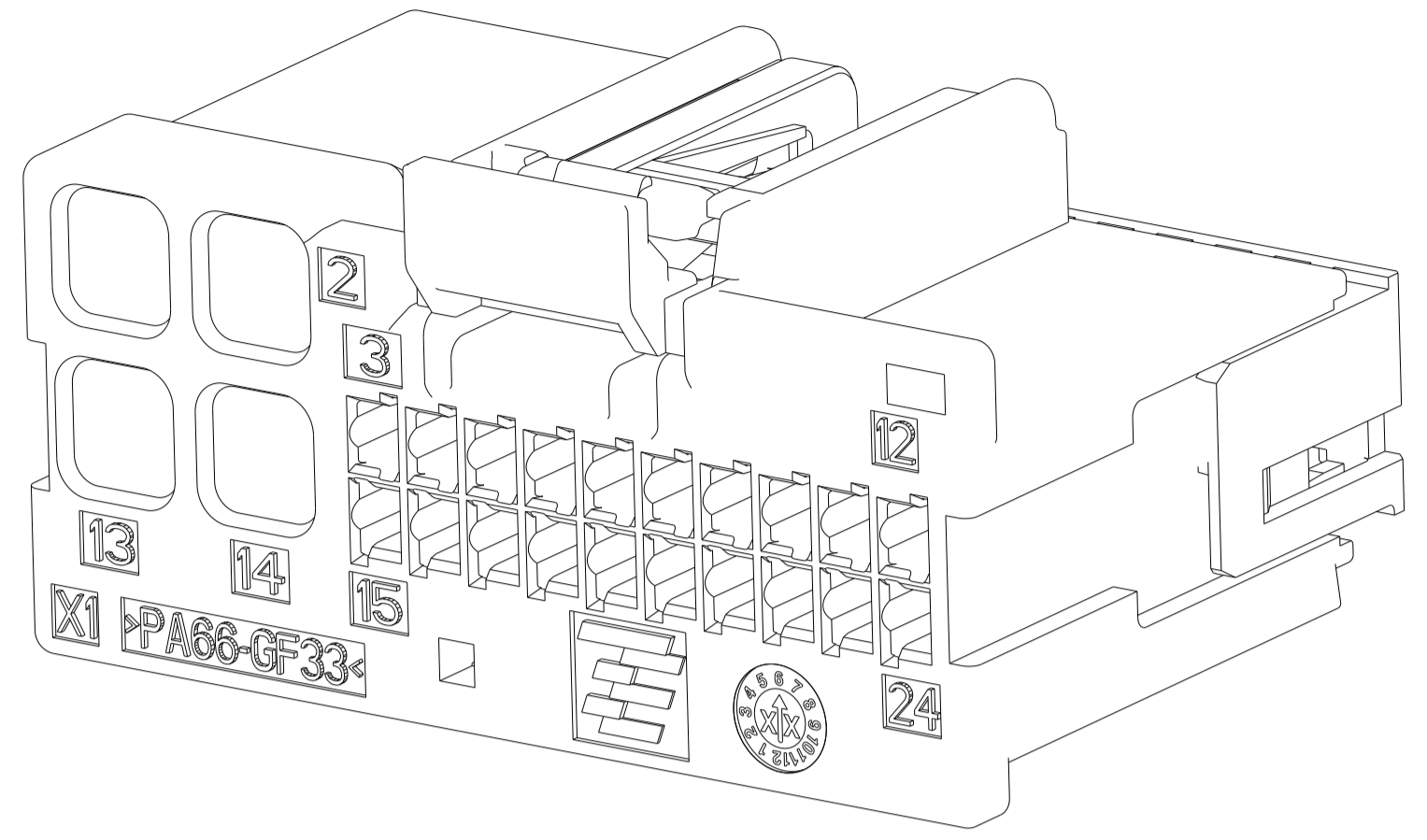
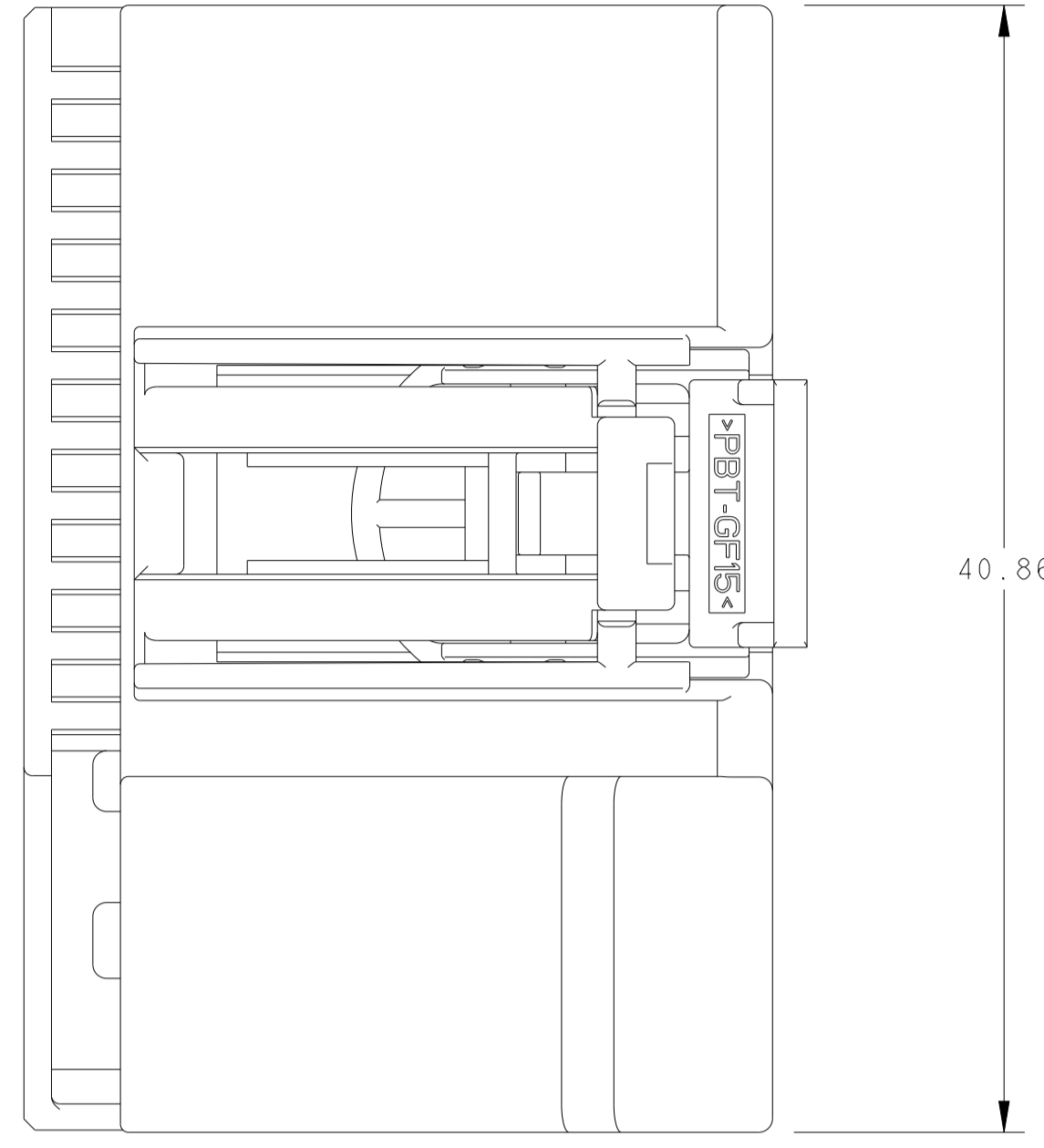
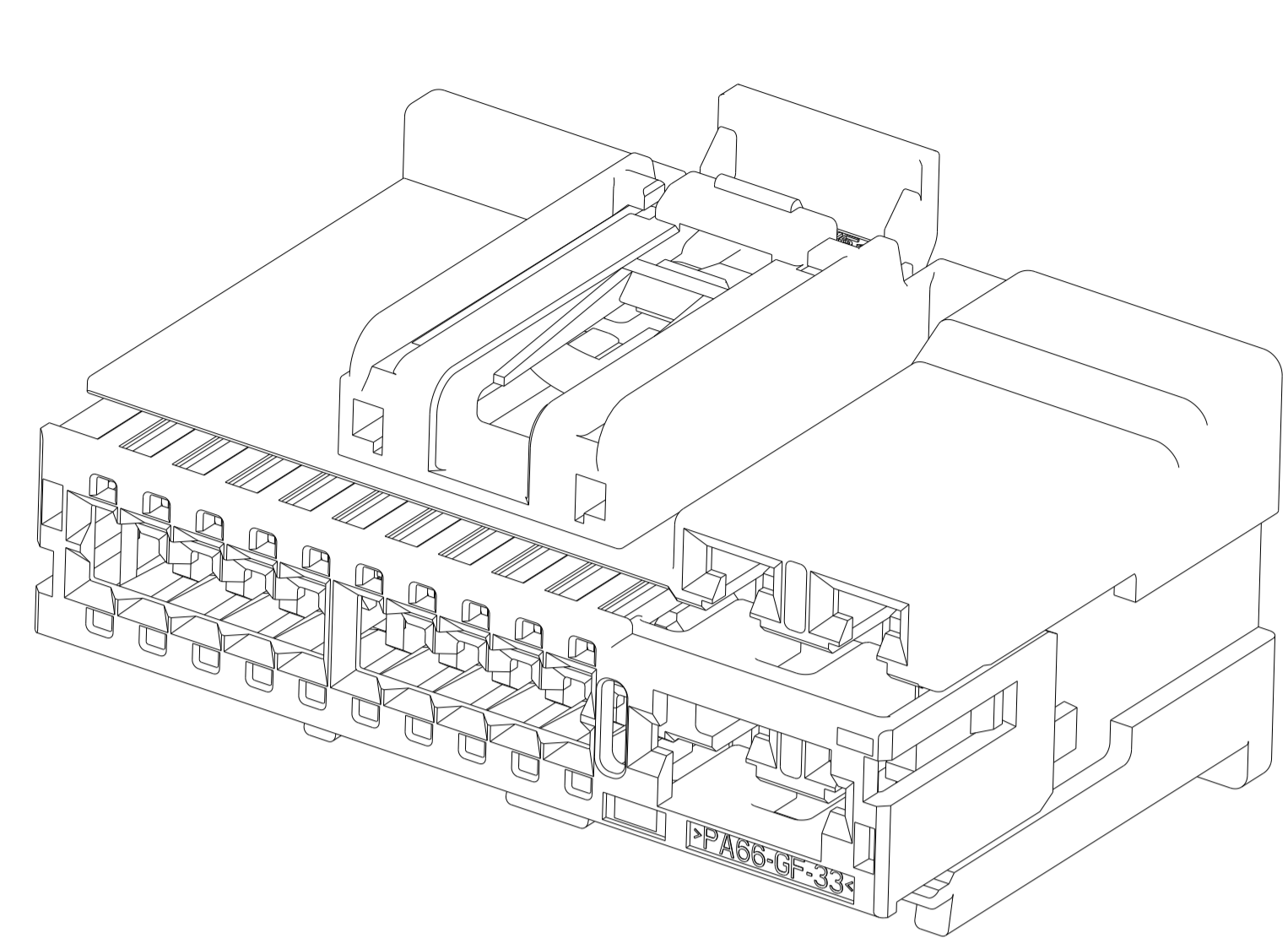
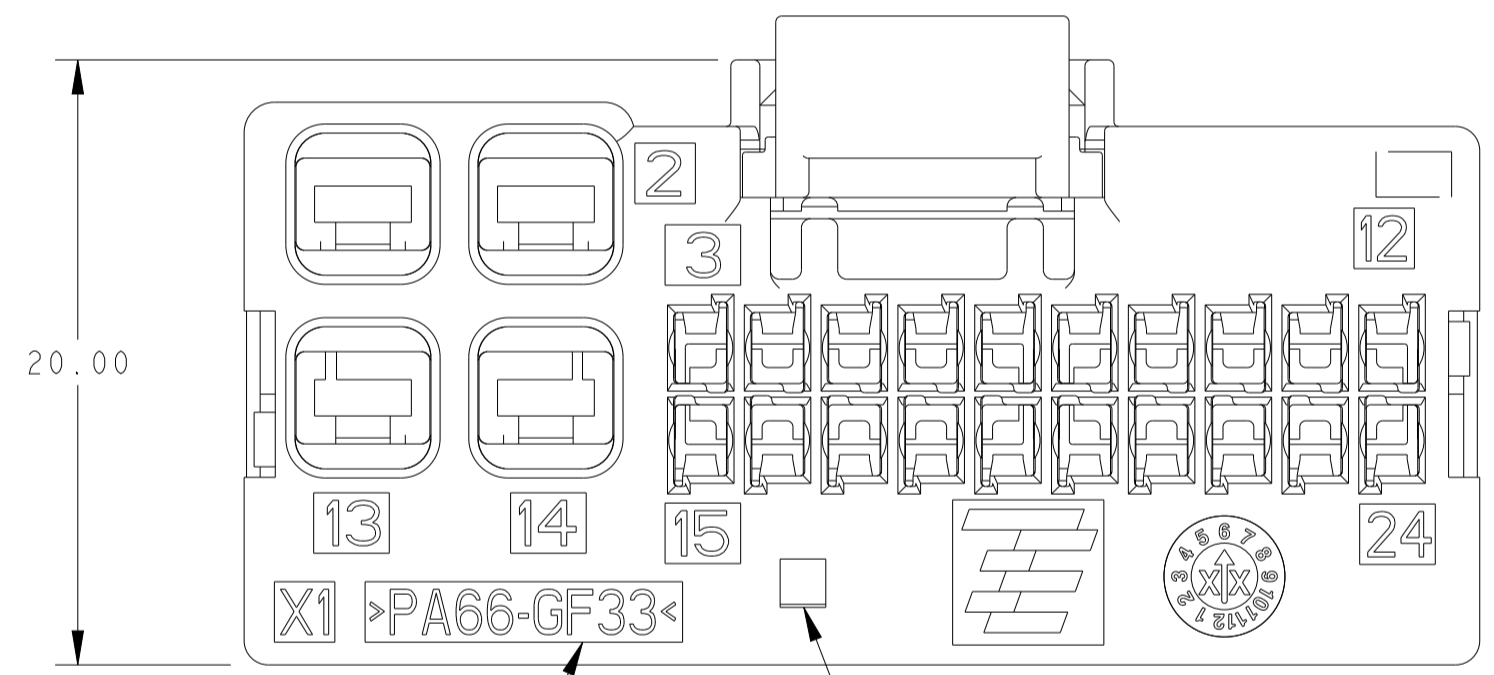
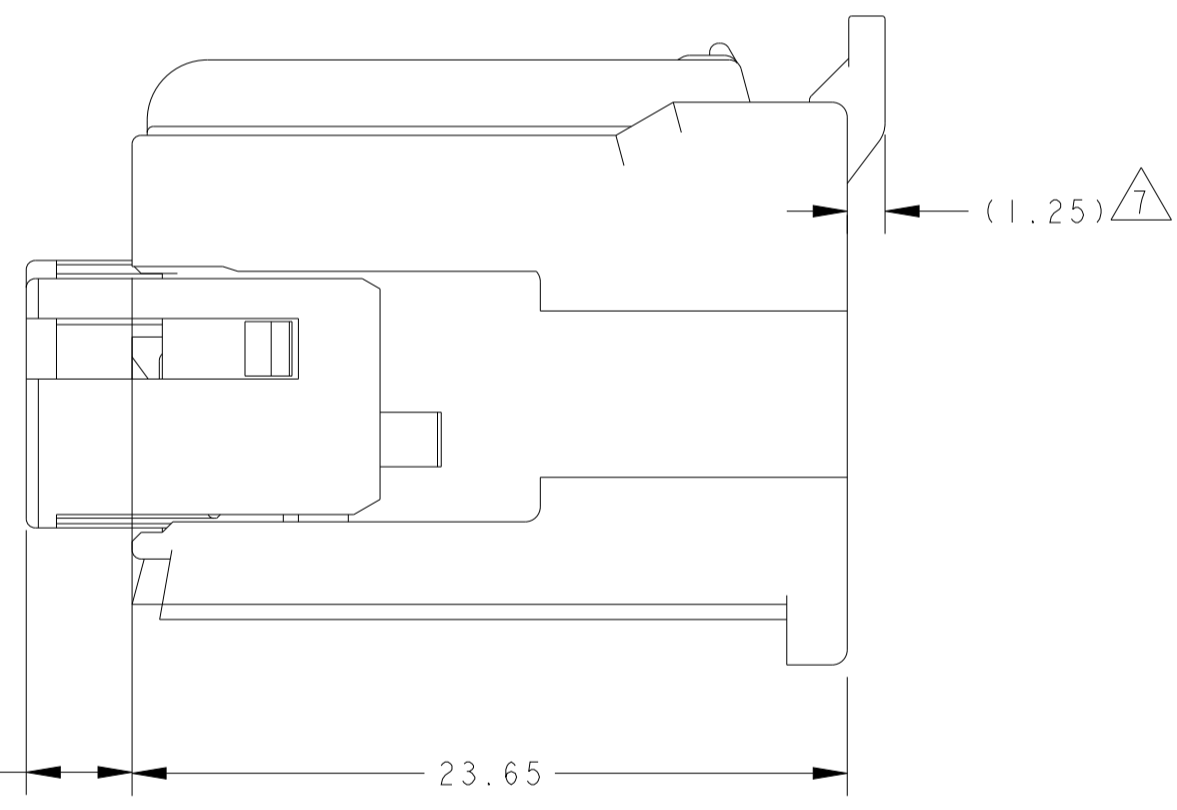
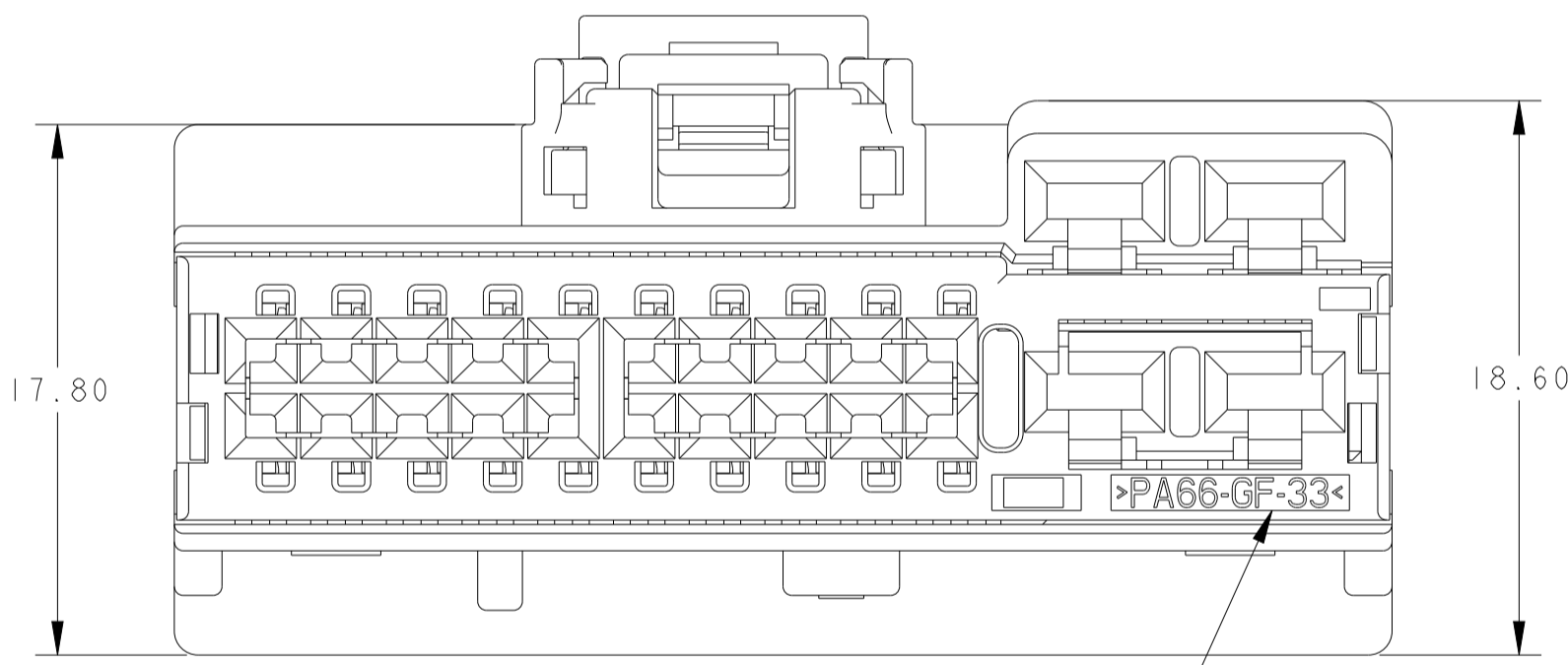


REVISIONS				
P	LTN	DESCRIPTION	DATE	OWN APVD
A		RELEASED PER ECO-15-002891	24FEB2015	DLD CJS
A1		REVISED PER ECO-18-013523	29AUG2018	JMS CS
A2		REVISED PER ECO-19-004164	25MAR2019	JMS CS
A3		REV PER ECN-24-278515	16AUG2024	SMR CS



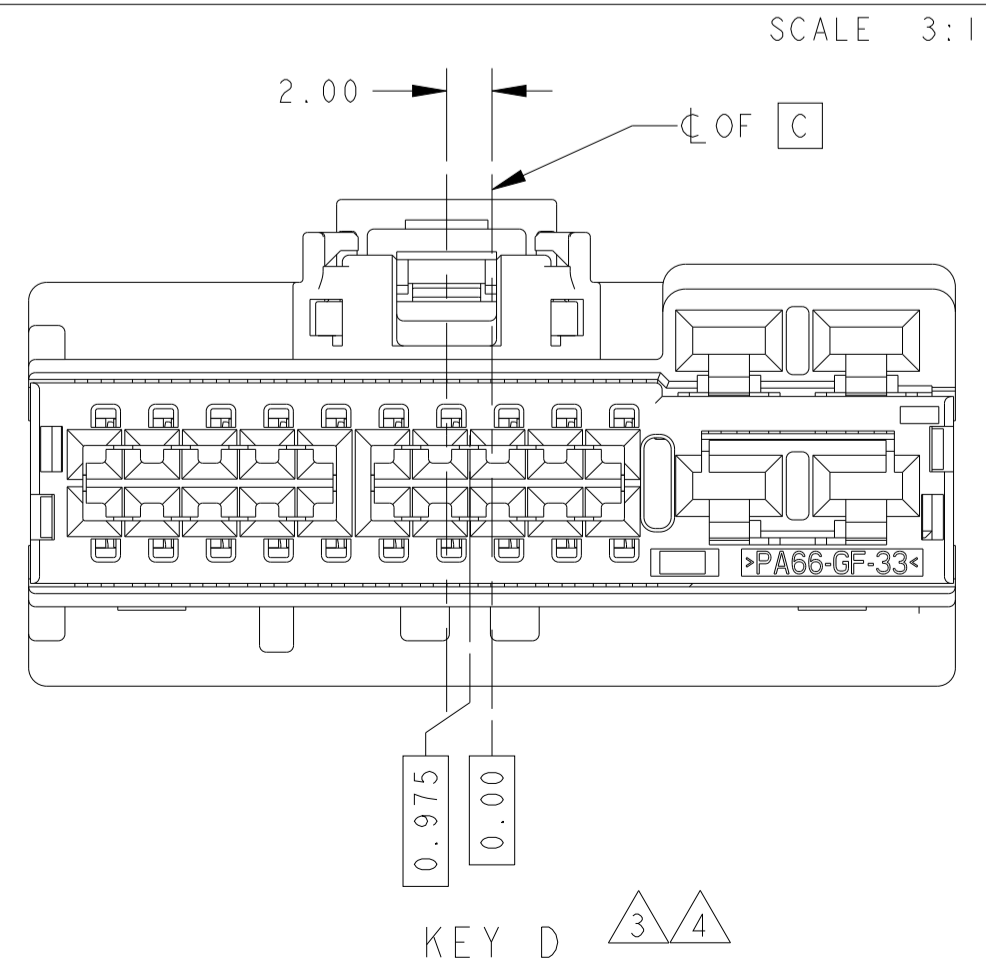
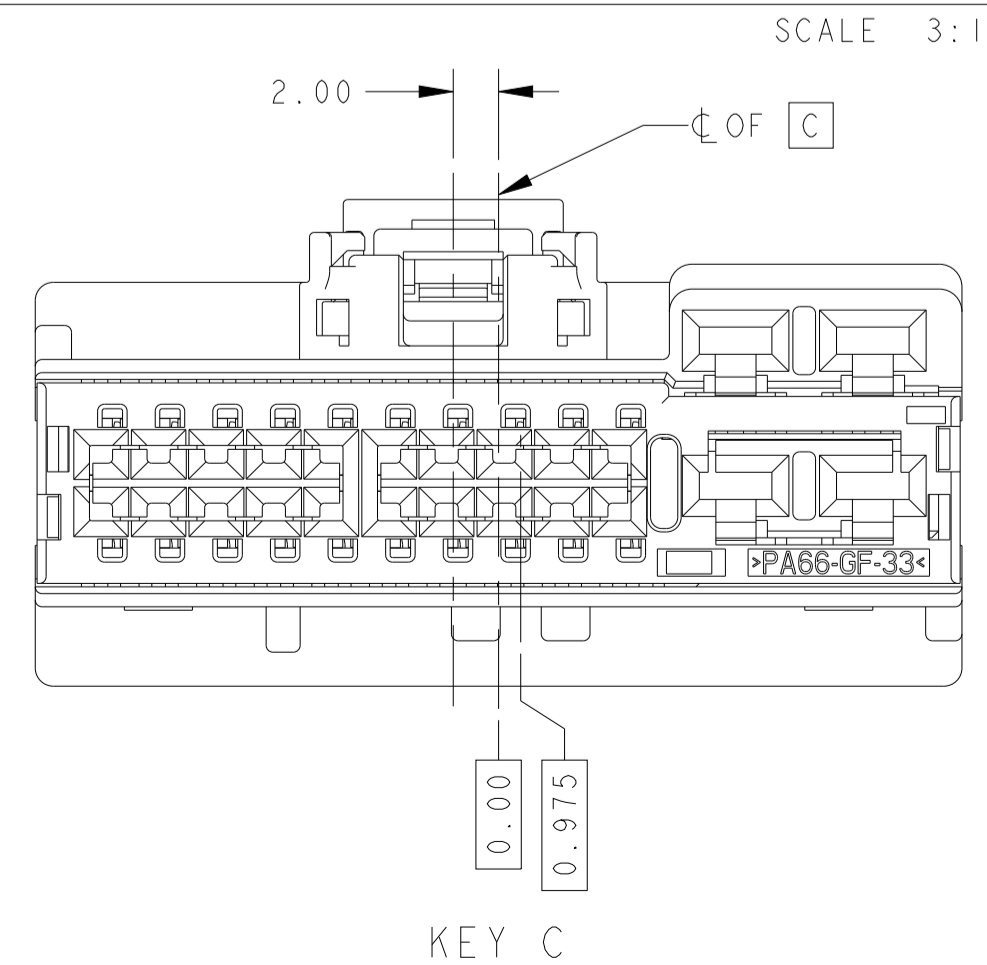
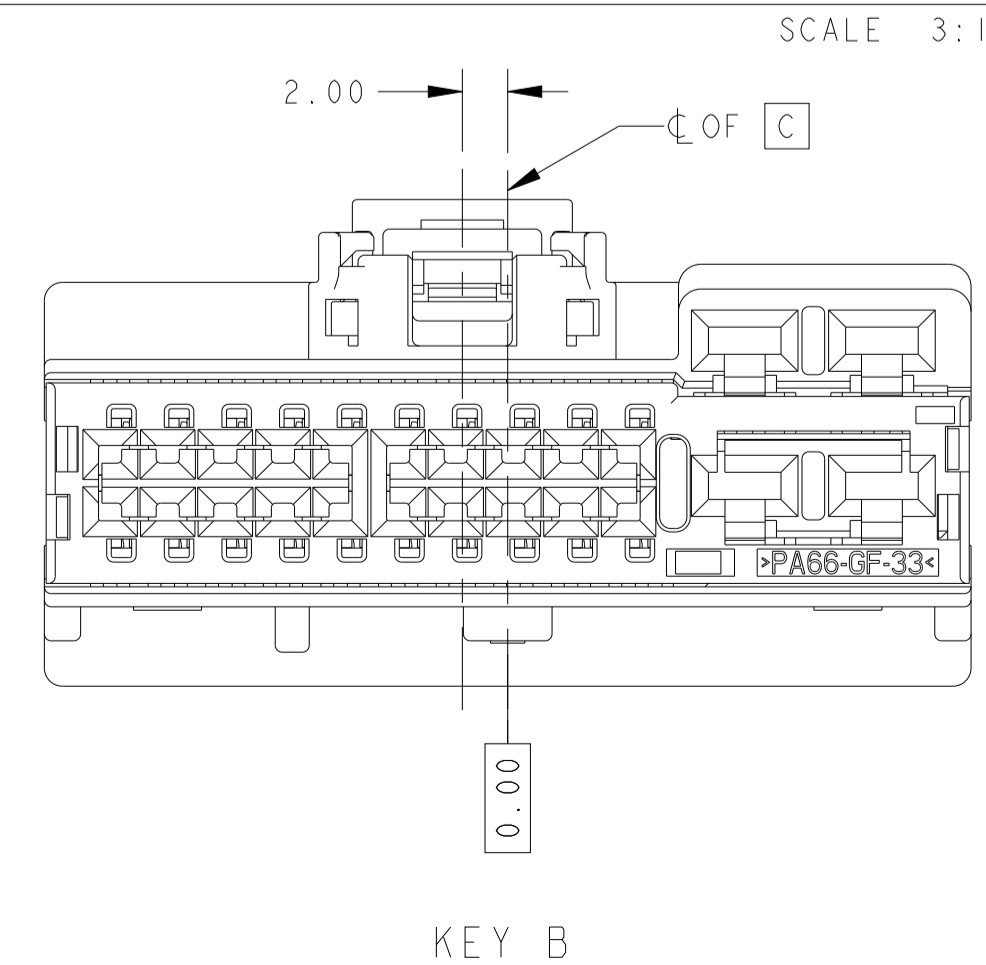
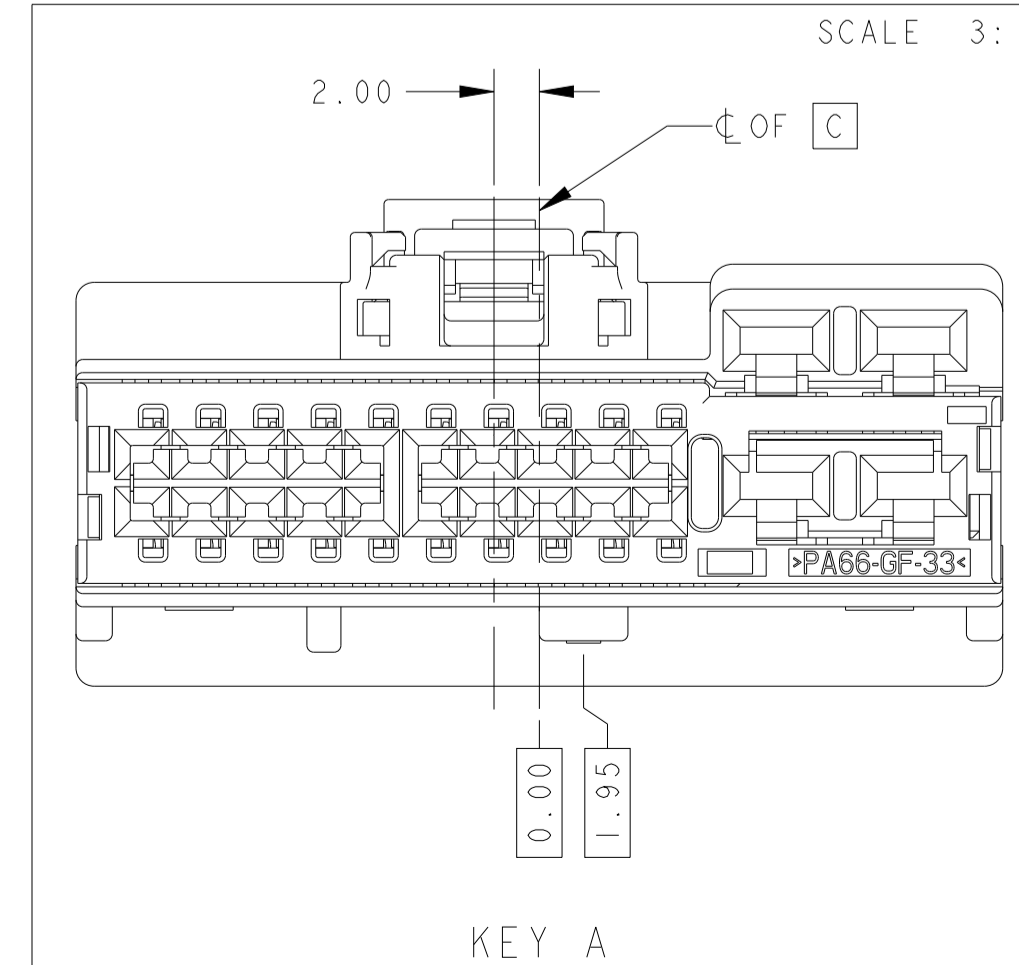
- ⚠ TPA SHIPPED IN PRE-LATCHED POSITION.
- 2. 1-2288274-1 SHOWN IN GENERAL VIEWS.
- ⚠ THIS PART NUMBER HAS NOT COMPLETED VALIDATION TESTING.
- ⚠ PRELIMINARY - NOT RELEASED FOR PRODUCTION
- ⚠ DUE TO BULK PACKAGED ARRANGEMENT, TPA MAY BE MOVED FROM THE PRE-LATCHED POSITION TO CLOSED OR PARTIALLY CLOSED DURING SHIPMENT. PLEASE REFER TO TE SPECIFICATION 408-32044 FOR TPA RESET INSTRUCTIONS.
- 6. APPLICABLE RECEPTACLES FOR THIS CONNECTOR:
 0.64 GENERATION Y - TE P/N'S 2035334-X AND 1924955-X
 2.8 CIRCUITS - FCI APEX 2.8 FAMILY, REF P/N 54001431 OR SIMILAR (ACCEPTS 10AWG - 22AWG)
- ⚠ CPA SHIPPED IN PRE-STAGE POSITION.



PARTS MARKED WITH EITHER GF33 OR GF35

PARTS MARKED WITH EITHER GF33 OR GF35

OPTIONAL NON-FUNCTIONAL VOID CORING



KEYING ARRANGEMENT

YES	C	BROWN	1-2288274-3
YES	B	GRAY	1-2288274-2
YES	A	BLACK	1-2288274-1
NO	D	---	2288274-4
NO	C	BROWN	2288274-3
NO	B	GRAY	2288274-2
NO	A	BLACK	2288274-1
CPA	KEYING OPTION	COLOR	PART NUMBER

THIS DRAWING IS A CONTROLLED DOCUMENT.		OWN: D. DRUMMOND	11OCT2014
DIMENSIONS:		CHK: C. SCHMID	11OCT2014
mm		APVD: C. SCHMID	11OCT2014
0 PLC	±	PRODUCT SPEC	
1 PLC	±0.3	APPLICATION SPEC	
2 PLC	±	408-32044	
3 PLC	±	WEIGHT	
4 PLC	±	Customer Drawing	
ANGLES	±3°		
FINISH			

		PLUG ASSEMBLY, 24 POSITION UNSEALED HYBRID (4X 2.8, 20X 0.64)	
SIZE	CAGE CODE	DRAWING NO	RESTRICTED TO
A1	100779	C=2288274	
SCALE	4:1	SHEET	1 OF 1
REV	A3		