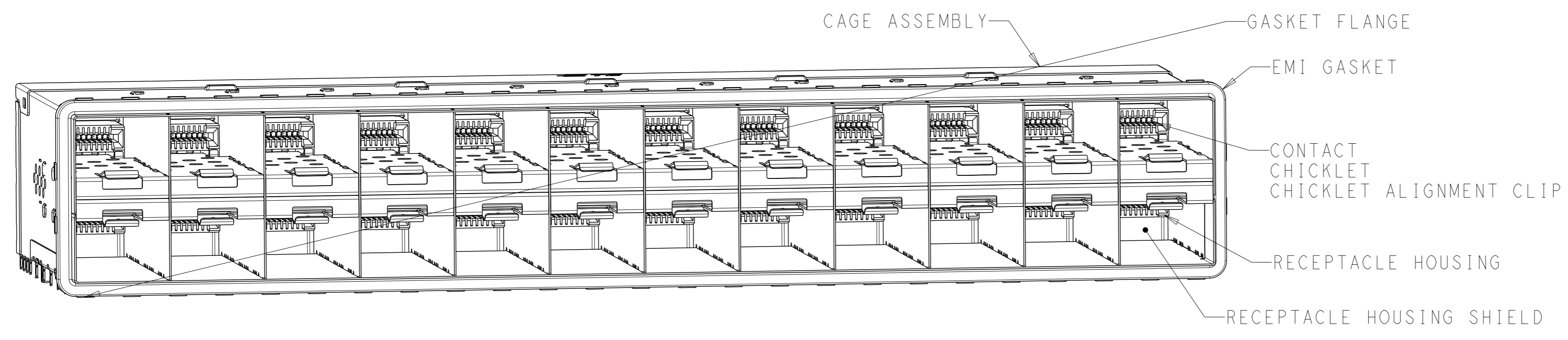
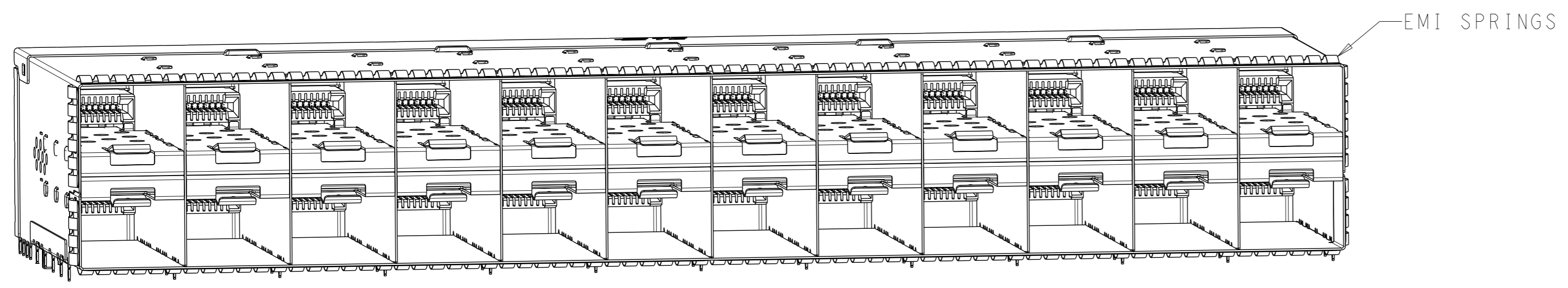


LOC		DIST		REVISIONS			
GP	00	#	DATE	DESCRIPTION	DATE	OWN	APVD
		1	26 JAN 2015	INITIAL RELEASE	26 JAN 2015	MS	PAR
		A	20 DEC 2015	MASS PRODUCTION	20 DEC 2015	PP	SH
		B	26 JUL 2022	REVISED PER ECN-22-166164	26 JUL 2022	IT	SZ

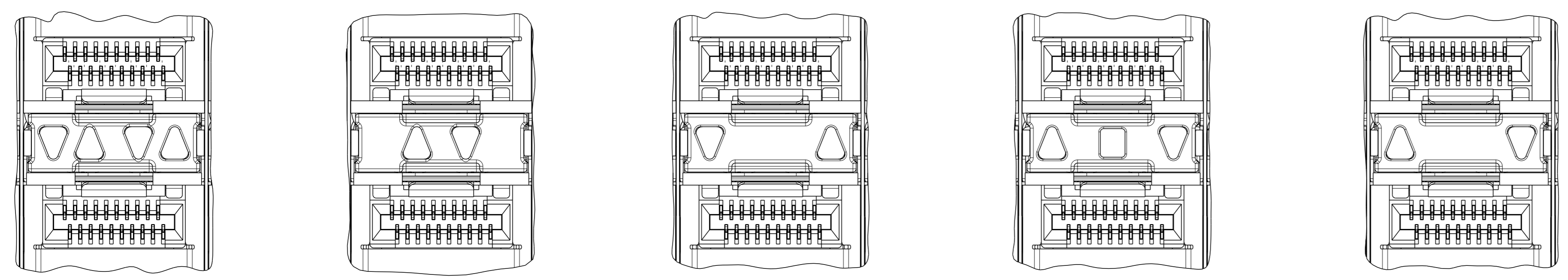


2288172-1



2288172-5

- MATERIALS:**
 CAGE ASSEMBLY - NICKEL-SILVER ALLOY PER ASTM B 122
 RECEPTACLE HOUSING - LCP, BLACK, UL 94V-0 RATED
 RECEPTACLE HOUSING SHIELD - COPPER ALLOY
 CHICKLET - LCP, BLACK, UL 94V-0 RATED
 CHICKLET ALIGNMENT CLIP - PBT
 CONTACT - COPPER ALLOY
 EMI GASKET - ELASTOMERIC
 GASKET FLANGE - STAINLESS STEEL
 LIGHT PIPE - POLYCARBONATE
 LIGHT PIPE HOUSING - ZINC ALLOY
 EMI SPRINGS - PHOSPHOR BRONZE PER ASTM B103
- CONTACT FINISH:**
 CONFORMS TO THE REQUIREMENTS OF TYCO ELECTRONICS
 PRODUCT SPECIFICATION 108-2481, BASED ON EIA/ECA-364-1000.01A,
 (CONTROLLED ENVIRONMENT APPLICATIONS) ON MATING INTERFACE,
 TIN ON NEEDLE EYE
- PCB MINIMUM THICKNESS = 1.5mm**
- FOR HOLE SIZE AND PLATINGS,**
 SEE APPLICATION SPECIFICATION 114-13319
- LIGHT PIPE PAD LAYOUT IS FOR 0805 LOW PROFILE**
 LED PACKAGE WITH A HEIGHT OF 0.8mm
- THE ENTIRE AREA OF THE CONNECTOR FOOTPRINT, INDICATED BY THE**
 DASHED LINE, TO BE CONSIDERED THE KEEPOUT AREA FOR COMPONENTS
 AND SIGNAL TRACES, TOP SIDE ONLY, TOP SIDE TRACES ALLOWED
 WITHIN CONNECTOR HOLE PATTERN
- DIMENSION APPLIES FROM EMI SPRINGS ONLY.**



INNER/OUTER LIGHT PIPE
 2288172-2, 2288172-6
 SCALE 4:1

INNER LIGHT PIPE
 2288172-3, 2288172-7
 SCALE 4:1

OUTER LIGHT PIPE
 2288172-4, 2288172-8
 SCALE 4:1

CENTER/REVERSED OUTER
 1-2288172-7, 1-2288172-9
 SCALE 4:1

REVERSED OUTER
 1-2288172-8, 2-2288172-0
 SCALE 4:1

173.5	EMI SPRINGS	REVERSED OUTER	2-2288172-0
		CENTER/REVERSED OUTER	1-2288172-9
176.25	EMI GASKET	REVERSED OUTER	1-2288172-8
		CENTER/REVERSED OUTER	1-2288172-7
173.5	EMI SPRINGS	OUTER	2288172-8
		INNER	2288172-7
		INNER/OUTER	2288172-6
		NONE	2288172-5
176.25	EMI GASKET	OUTER	2288172-4
		INNER	2288172-3
		INNER/OUTER	2288172-2
		NONE	2288172-1
(E)	CAGE TYPE	LIGHT PIPE CONFIGURATION	PART NUMBER

THIS DRAWING IS A CONTROLLED DOCUMENT. DIMENSIONING AND TOLERANCING PER ASME Y14.5M-2009.

DIMENSIONS: mm
 TOLERANCES UNLESS OTHERWISE SPECIFIED:
 0 PLC ±0.10
 1 PLC ±0.10
 2 PLC ±0.10
 3 PLC ±0.10
 4 PLC ±0.10
 ANGLES ±°

MATERIAL: SEE NOTES
 FINISH: SEE NOTES

DWG: M. SHIRK
 CHK: P. BECCE
 DATE: 26 JAN 2015
 NAME: RECEPTACLE ASSEMBLY, 2X12, STACKED, zSFP+

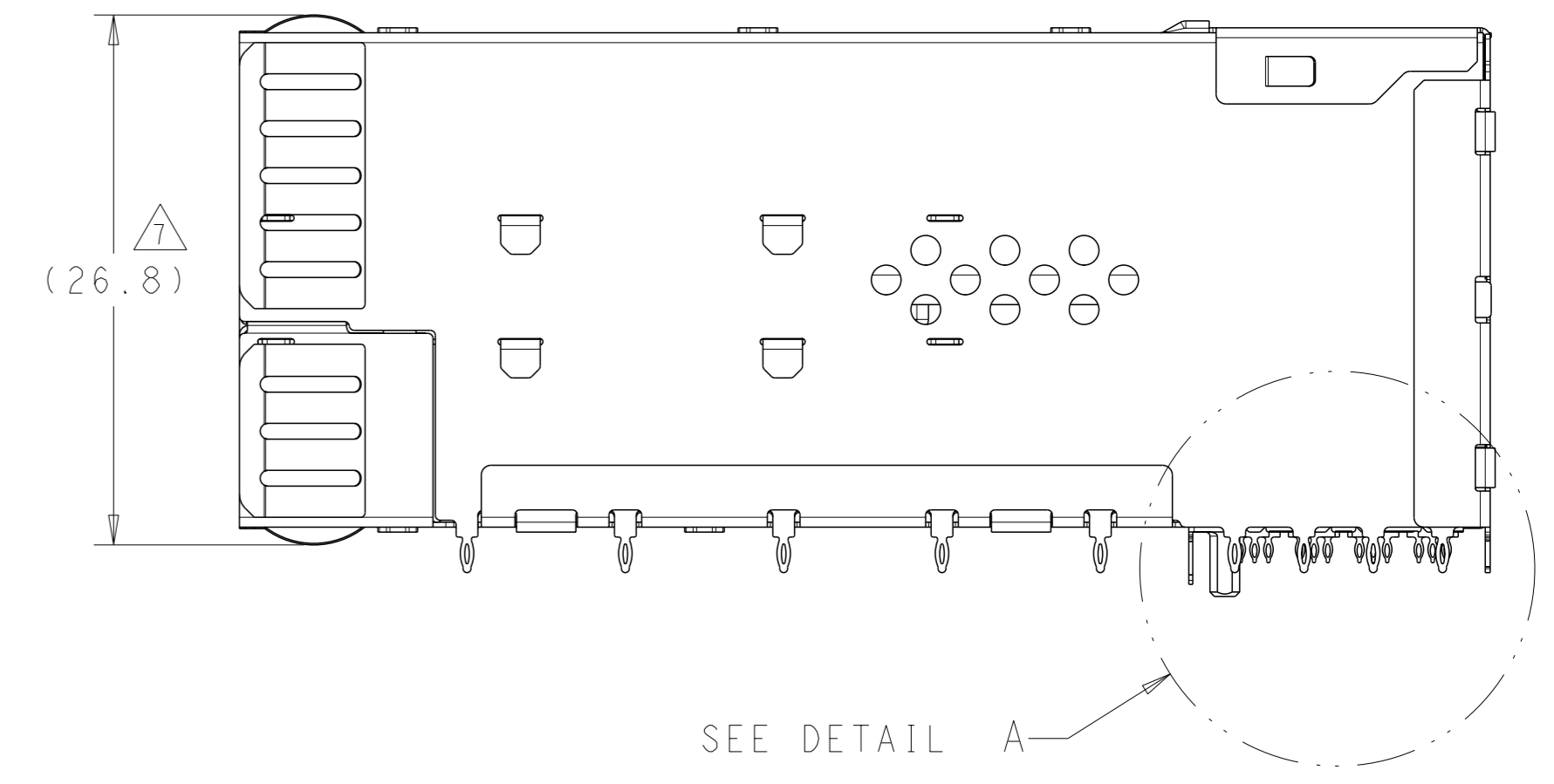
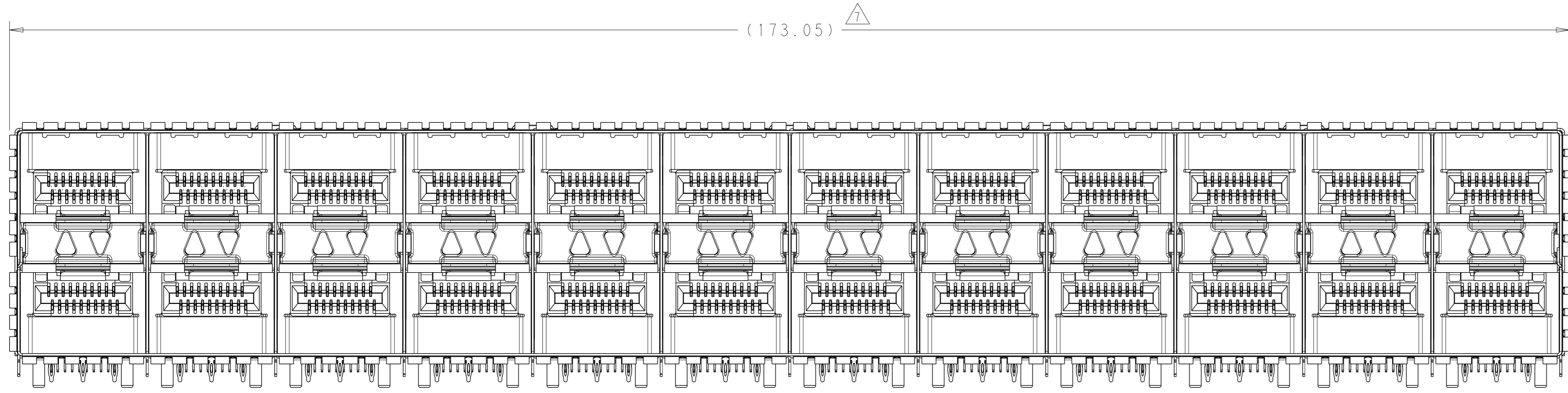
PRODUCT SPEC: 108-2431
 APPLICATION SPEC: 114-13319

SIZE: A1
 CAGE CODE: 00779
 DRAWING NO: 2288172
 WEIGHT: -
 CUSTOMER DRAWING

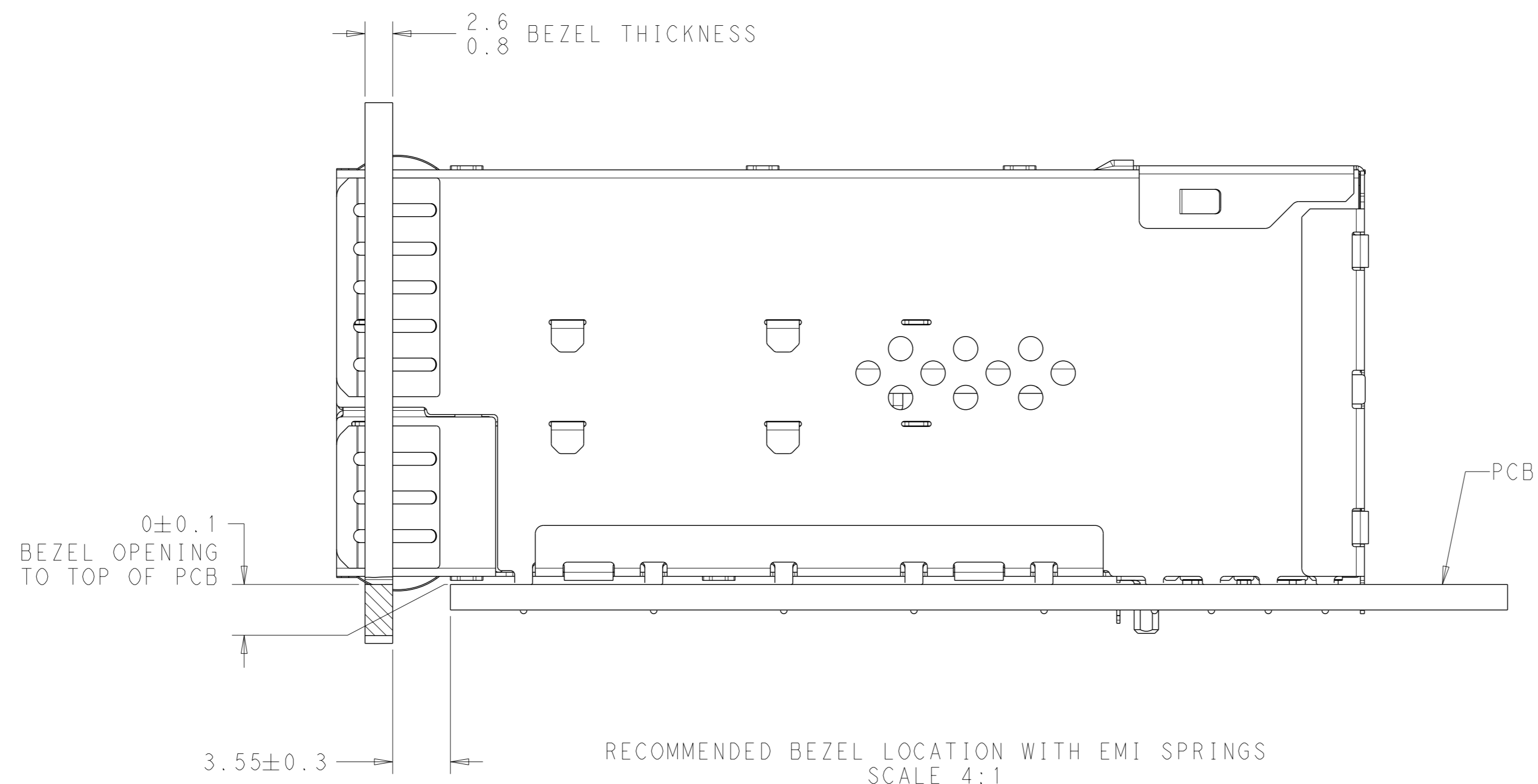
RESTRICTED TO: -
 SCALE: 2:1
 SHEET: 1 OF 5
 REV: B

Printed on 16 Aug 2022 08:57:57 China Standard Time from F0086105

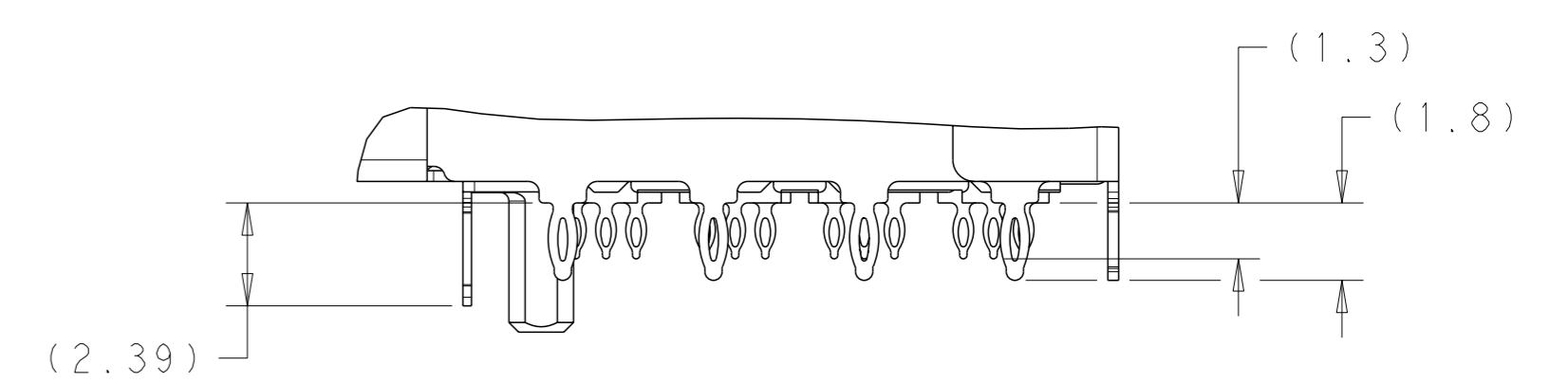
LOC	DIST	REVISIONS					
GP	00	P	LYR	DESCRIPTION	DATE	OWN	APVD
		-		SEE SHEET 1	-	-	-



2288172-7
 EMI SPRINGS ONLY
 SCALE 3:1



RECOMMENDED BEZEL LOCATION WITH EMI SPRINGS
 SCALE 4:1



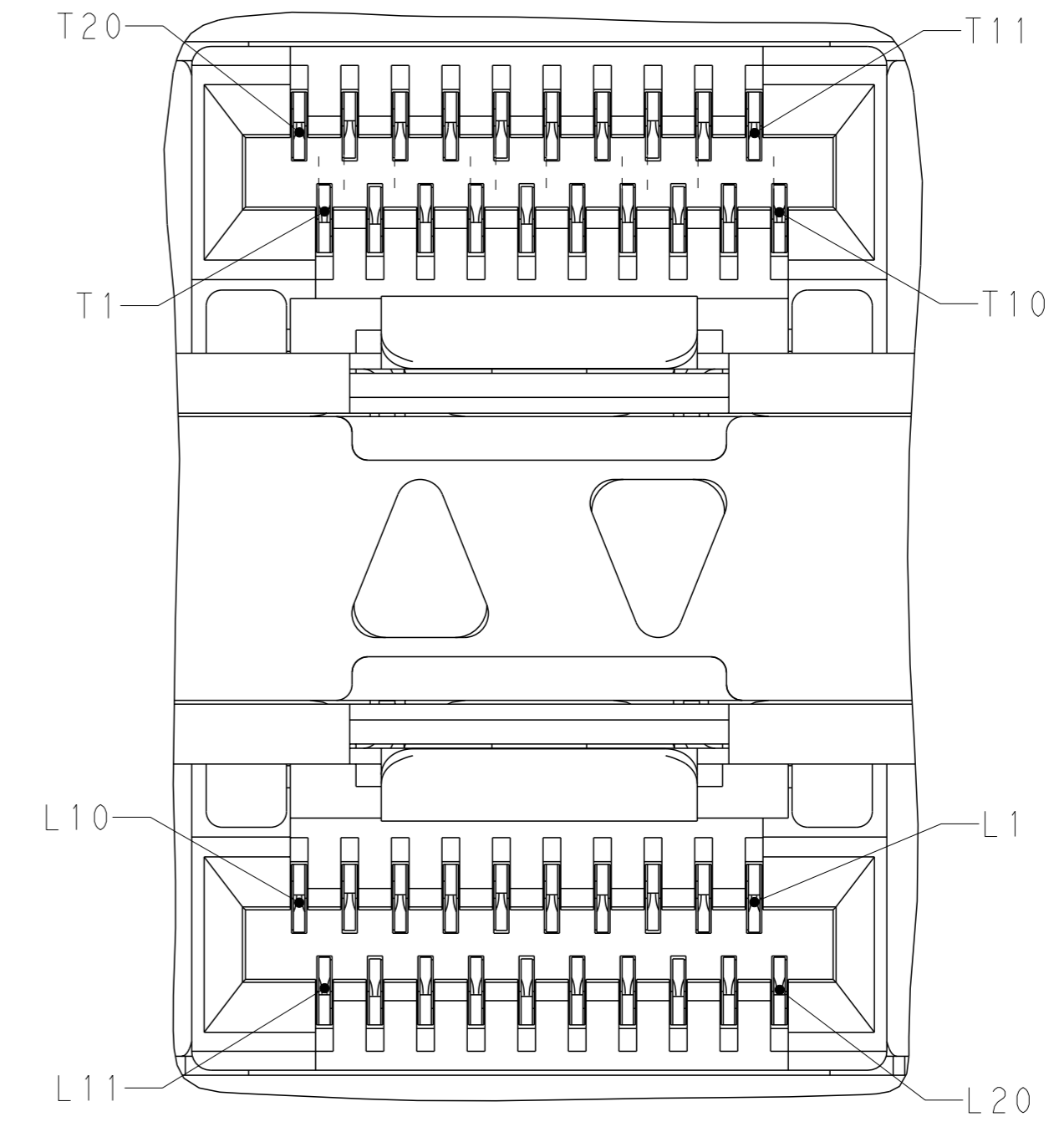
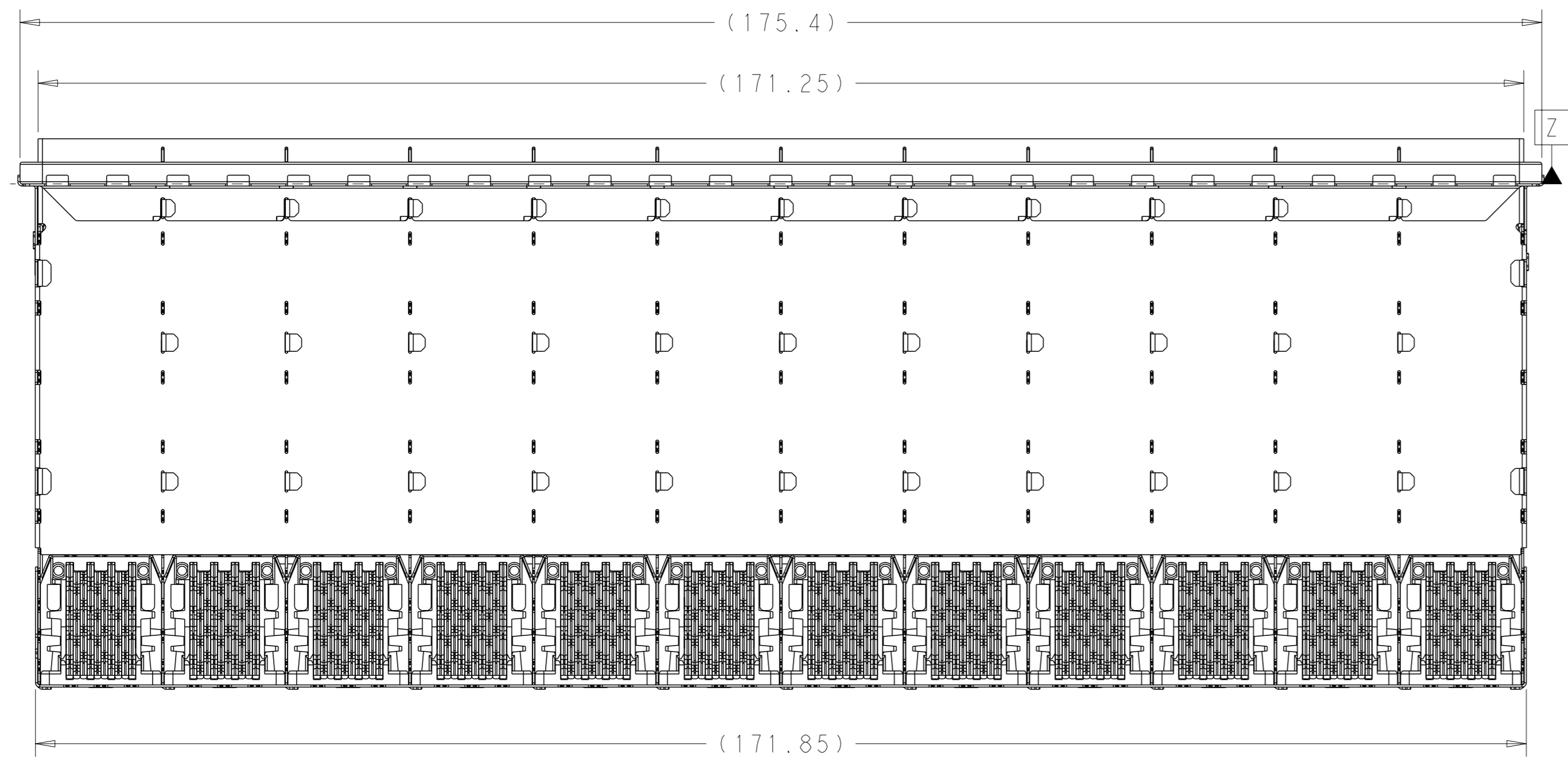
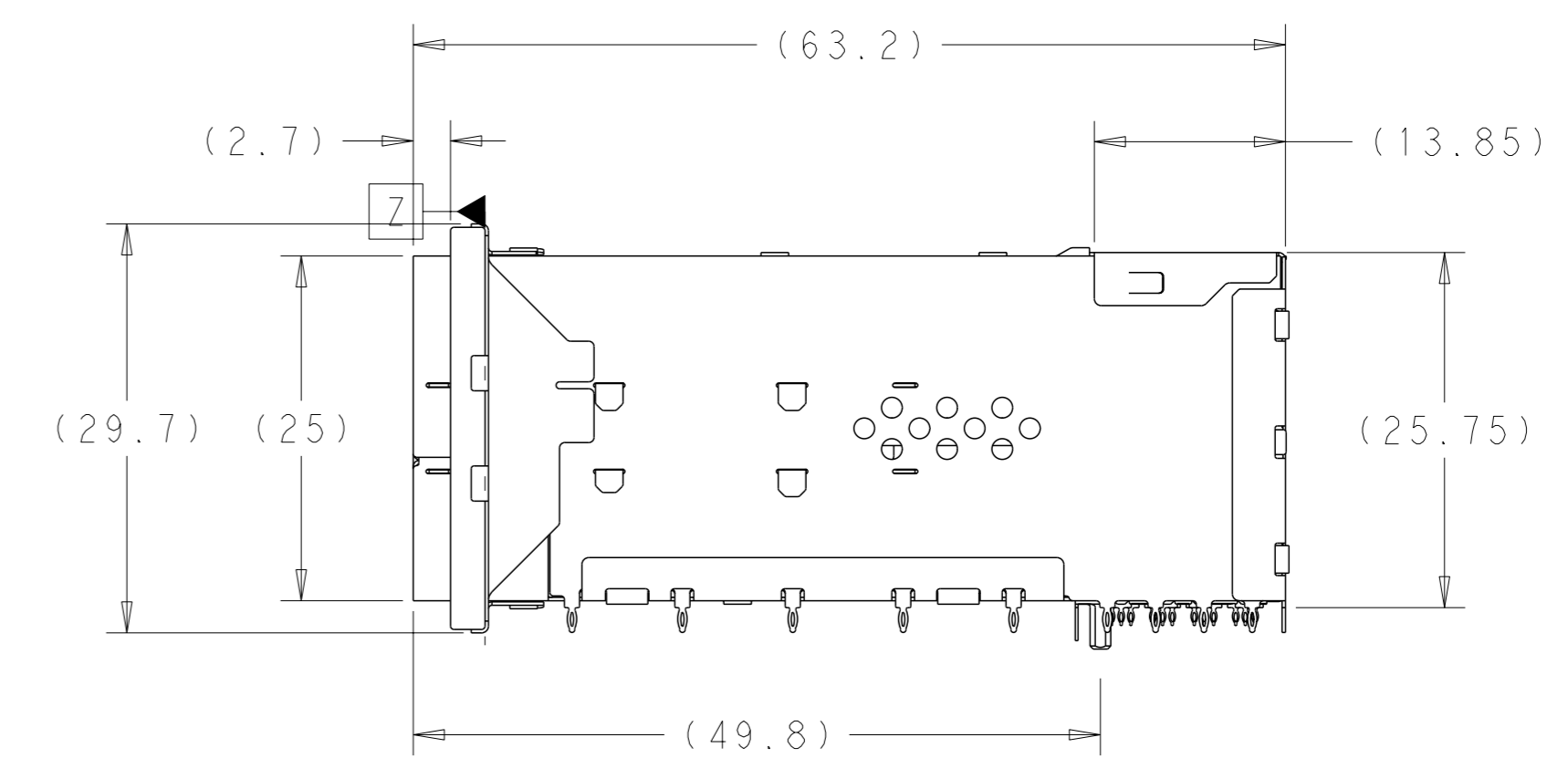
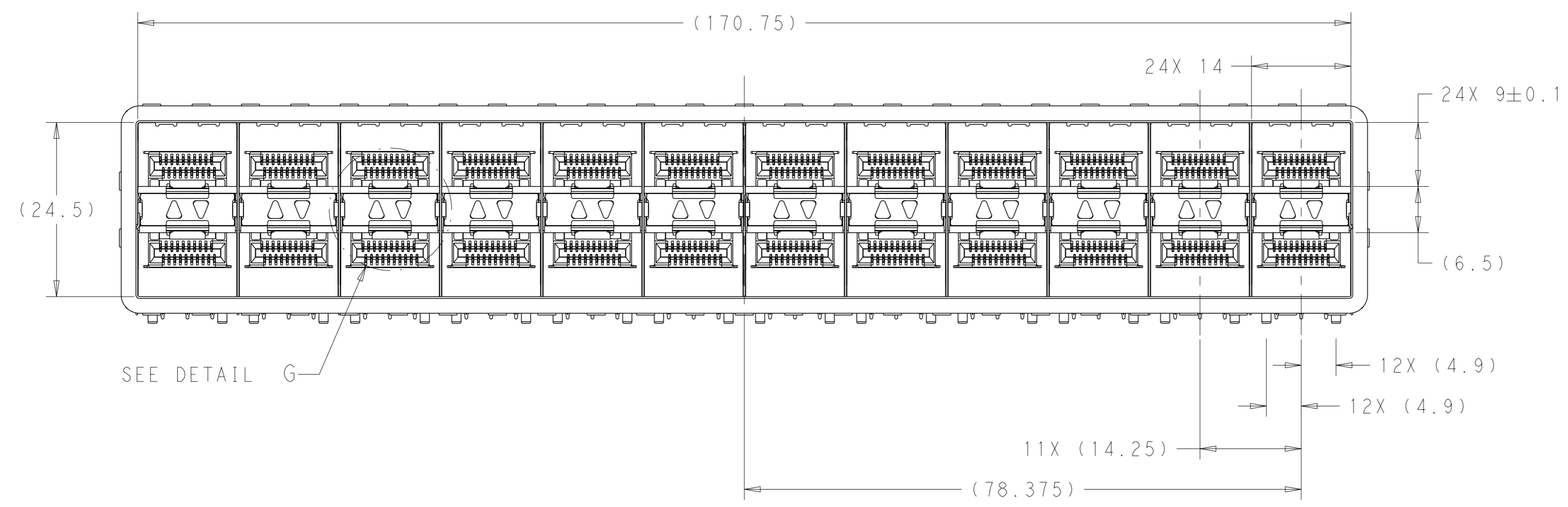
DETAIL A
 SCALE 6:1

THIS DRAWING IS A CONTROLLED DOCUMENT.		OWN M. SHIRK 26 JAN 2015	TE Connectivity	
DIMENSIONS:		CHK P. BECCE 26 JAN 2015	NAME	
mm	TOLERANCES UNLESS OTHERWISE SPECIFIED:	APVD	RECEPTACLE ASSEMBLY, 2X12, STACKED, zSFP+	
0 PLC	±0.10	PRODUCT SPEC	108-2431	
1 PLC	±0.10	APPLICATION SPEC	114-13319	
2 PLC	±0.10	SIZE	CAGE CODE	DRAWING NO.
3 PLC	±0.10	WEIGHT	A100779	C=2288172
4 PLC	±	FINISH	CUSTOMER DRAWING	
ANGLES	±	SCALE	2:1	SHEET 2 OF 5
SEE NOTES	SEE NOTES	REV	B	

Printed on 16 Aug 2022 08:57 (China Standard Time) from F0086105

THIS DRAWING IS UNPUBLISHED. RELEASED FOR PUBLICATION 20
 © COPYRIGHT 20 BY TYCO ELECTRONICS ALL RIGHTS RESERVED.

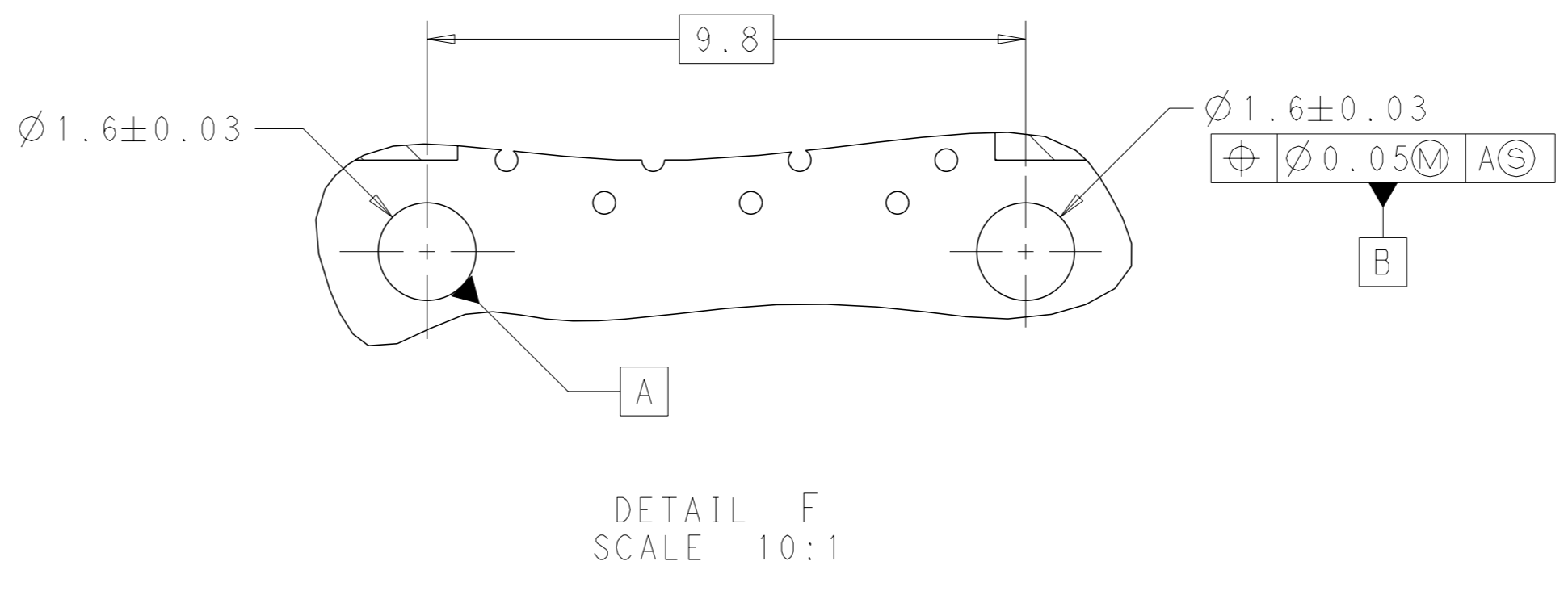
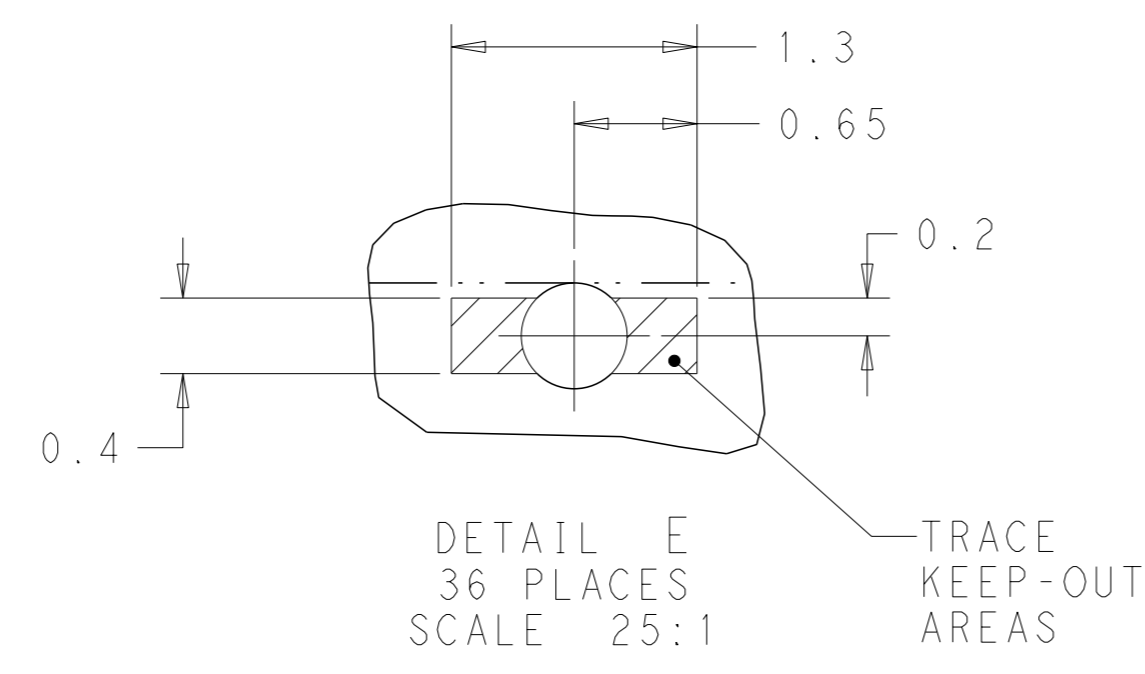
LOC		DIST		REVISIONS			
GP	00	P	LY#	DESCRIPTION	DATE	OWN	APVD
		-		SEE SHEET 1	-	-	-



DETAIL G
 12X INDIVIDUALLY
 STACKED, zSFP+
 SCALE 10:1

THIS DRAWING IS A CONTROLLED DOCUMENT. DIMENSIONING AND TOLERANCING PER ASME Y14.5M-2009.		OWN: M. SHIRK 26 JAN 2015 CHK: P. BECCE 26 JAN 2015 APVD: -	TE Connectivity RECEPTACLE ASSEMBLY, 2X12, STACKED, zSFP+
DIMENSIONS: mm	TOLERANCES UNLESS OTHERWISE SPECIFIED: 0 PLC ±0.10 1 PLC ±0.10 2 PLC ±0.10 3 PLC ±0.10 4 PLC ± ANGLES FINISH *	PRODUCT SPEC: 108-2431 APPLICATION SPEC: 114-13319 WEIGHT: -	
MATERIAL: SEE NOTES	FINISH: SEE NOTES	CUSTOMER DRAWING	SIZE: A1 CAGE CODE: 00779 DRAWING NO: C=2288172 RESTRICTED TO: - SCALE: 2:1 SHEET 3 OF 5 REV B

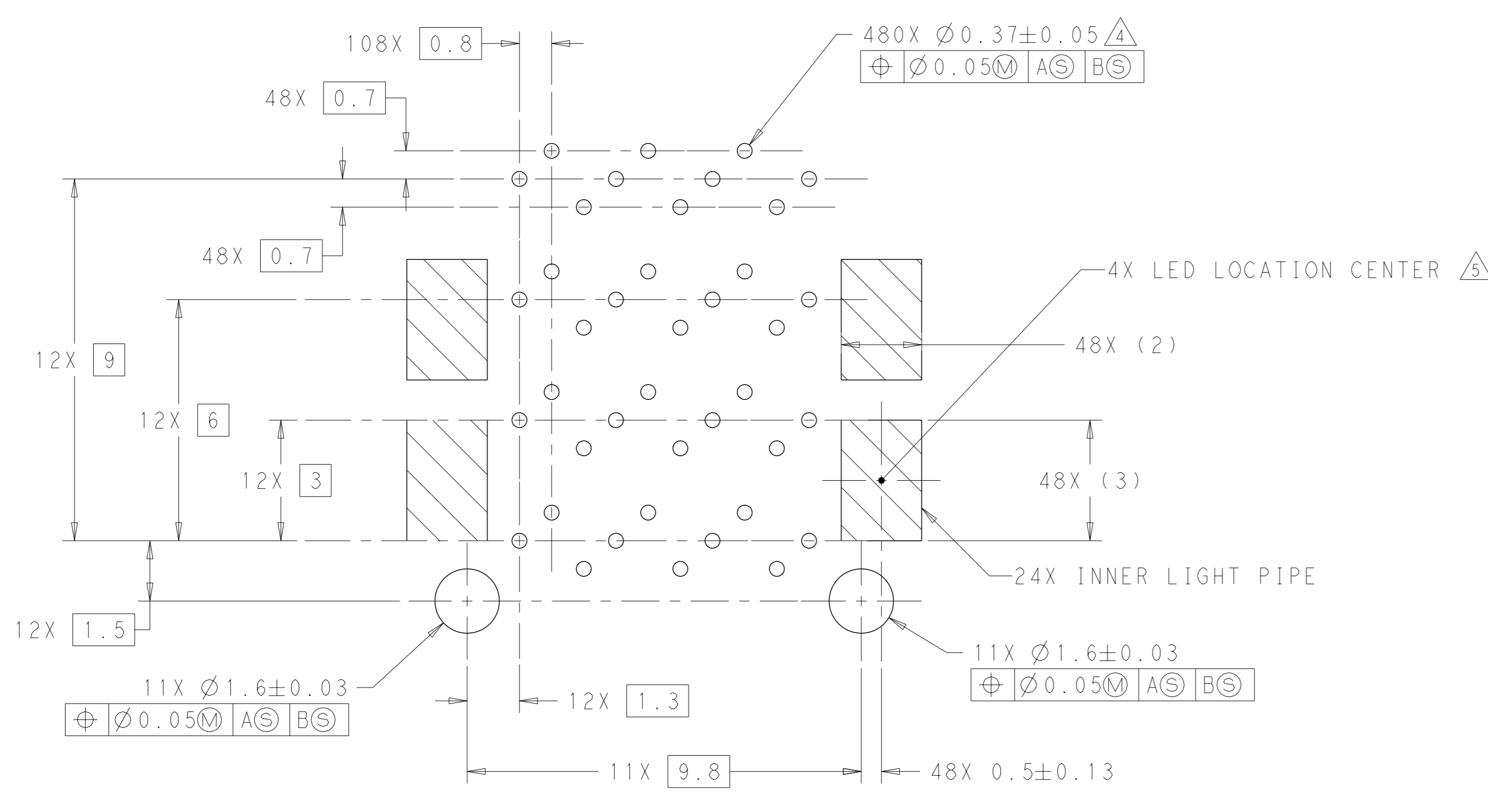
LOC		DIST		REVISIONS				
GP	00	REV	DATE	DESCRIPTION	DATE	OWN	APVD	
		-	-	SEE SHEET 1	-	-	-	



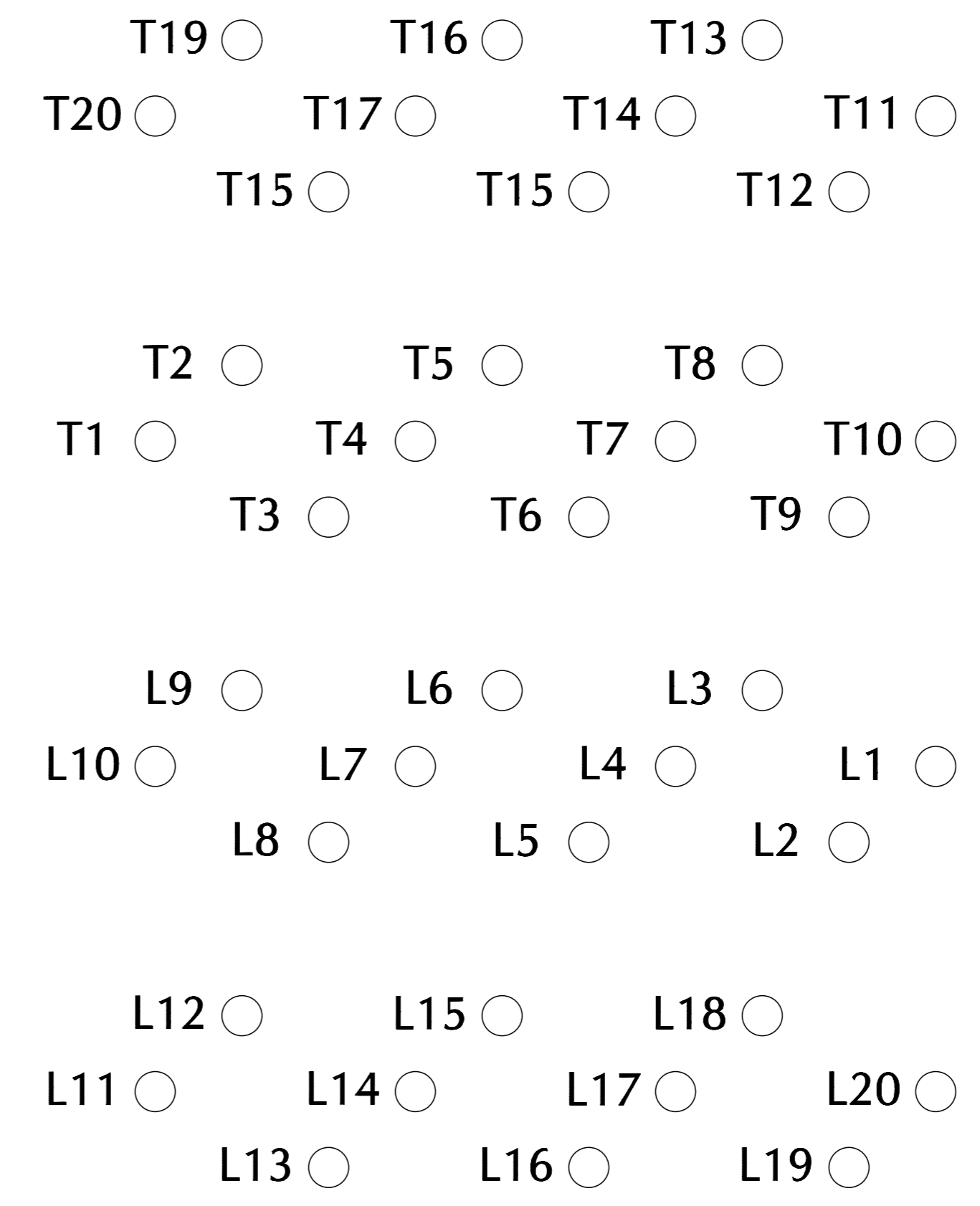
THIS DRAWING IS A CONTROLLED DOCUMENT. DIMENSIONING AND TOLERANCING PER ASME Y14.5M-2009.		OWN: M. SHIRK 26 JAN 2015 CHK: P. BECCE 26 JAN 2015 APVD: -	TE Connectivity RECEPTACLE ASSEMBLY, 2X12, STACKED, zSFP+	
DIMENSIONS: mm	TOLERANCES UNLESS OTHERWISE SPECIFIED:	PRODUCT SPEC: 108-2431	SIZE: A1	CAGE CODE: 00779
0 PLC ±0.10	1 PLC ±0.10	APPLICATION SPEC: 114-13319	SCALE: 2:1	SHEET 4 OF 5
2 PLC ±0.10	3 PLC ±0.10	WEIGHT: -	REV: B	
4 PLC ±0.10	ANGLES: ±°	CUSTOMER DRAWING		
MATERIAL: SEE NOTES	FINISH: SEE NOTES			

Printed on 16 Aug 2022 08:57 (China Standard Time) from E0686105

LOC	DIST	REVISIONS					
GP	00	P	LYR	DESCRIPTION	DATE	OWN	APVD
		-		SEE SHEET 1			

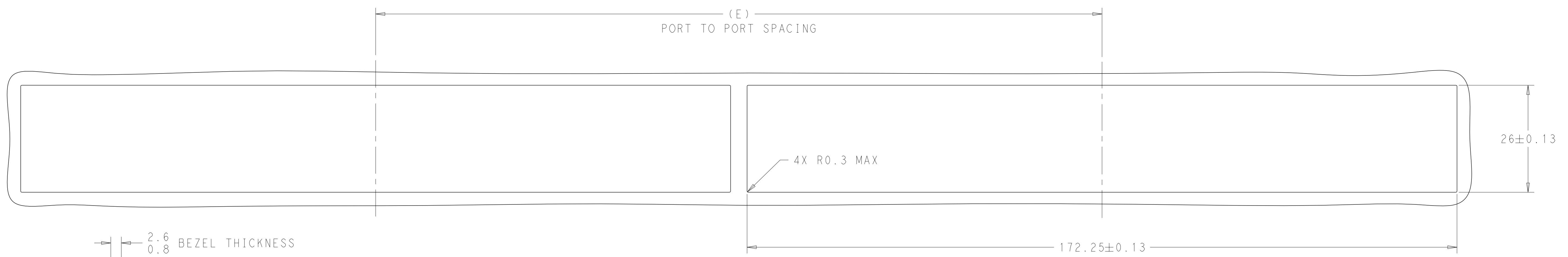


DETAIL C
RECOMMENDED PIN AND LIGHT PIPE LAYOUT
SCALE 10:1

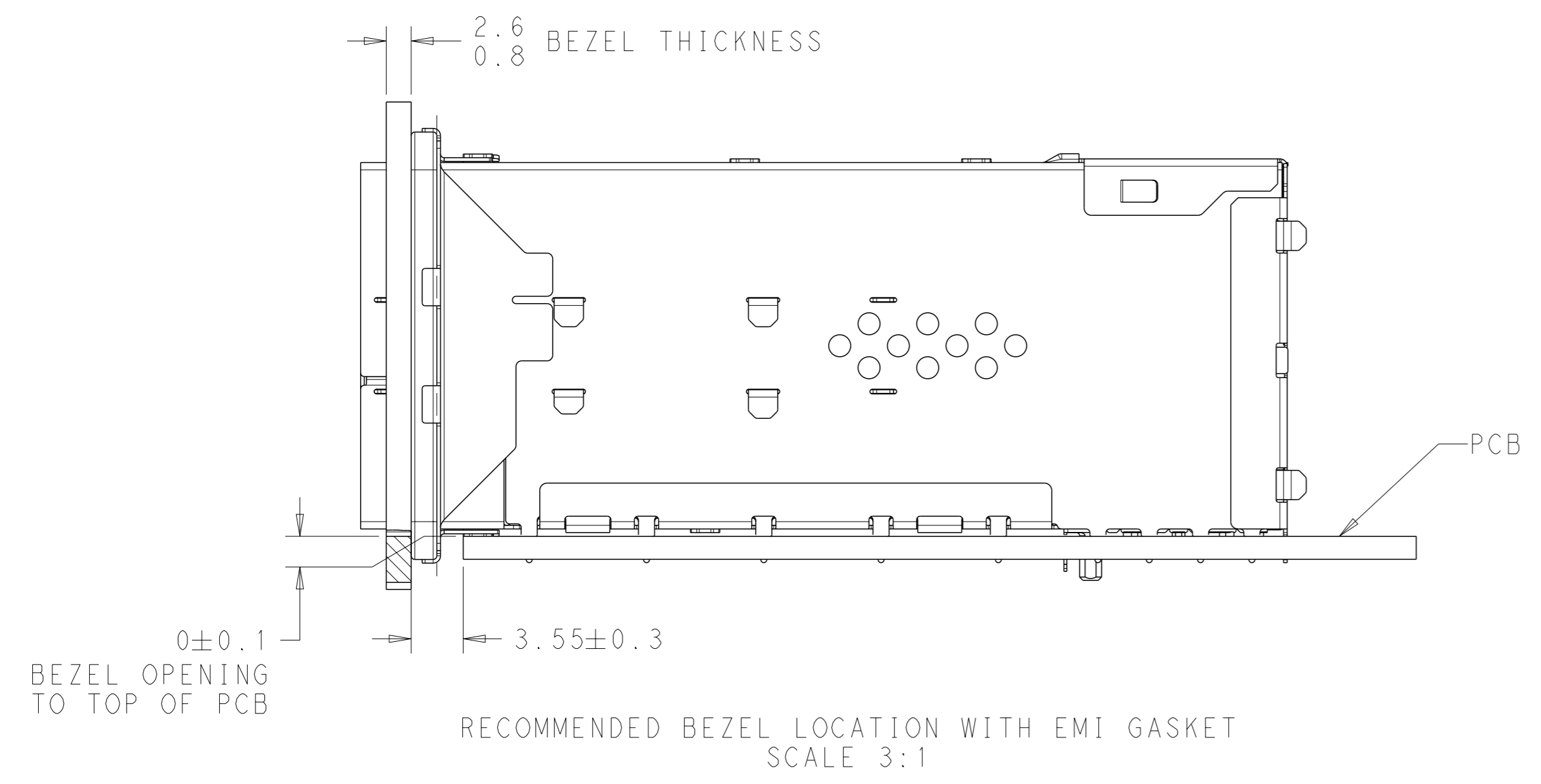


DETAIL D
PIN MAP
12 PLACES
SCALE 20:1

PIN MAP LEGEND	
PIN NUMBER	FUNCTION
L1/T1	VEET
L2/T2	TX-FAULT
L3/T3	TX-DISABLE
L4/T4	SDA
L5/T5	SCL
L6/T6	MOD_ABS
L7/T7	RS0
L8/T8	RX_LOS
L9/T9	RS1
L10/T10	VEER
L11/T11	VEER
L12/T12	RD-
L13/T13	RD+
L14/T14	VEER
L15/T15	VCCR
L16/T16	VCCT
L17/T17	VEET
L18/T18	TD+
L19/T19	TD-
L20/T20	VEET



RECOMMENDED BEZEL CUT OUT DETAIL



RECOMMENDED BEZEL LOCATION WITH EMI GASKET
SCALE 3:1

THIS DRAWING IS A CONTROLLED DOCUMENT. DIMENSIONING AND TOLERANCING PER ASME Y14.5M-2009.		OWN: M. SHIRK 26 JAN 2015 CHK: P. BECCE 26 JAN 2015	TE Connectivity RECEPTACLE ASSEMBLY, 2X12, STACKED, zSFP+
DIMENSIONS: mm	TOLERANCES UNLESS OTHERWISE SPECIFIED:	APVD: -	
0 PLC ±0.10 1 PLC ±0.10 2 PLC ±0.10 3 PLC ±0.10 4 PLC ±	ANGLES FINISH	PRODUCT SPEC: 108-2431 APPLICATION SPEC: 114-13319	SIZE: A1 CAGE CODE: 00779 DRAWING NO: C=2288172
MATERIAL: SEE NOTES	FINISH: SEE NOTES	WEIGHT: -	RESTRICTED TO: -
CUSTOMER DRAWING		SCALE: 2:1	SHEET 5 OF 5 REV B

printed on 16 Aug 2022 08:57:57 China Standard Time) from F0686105