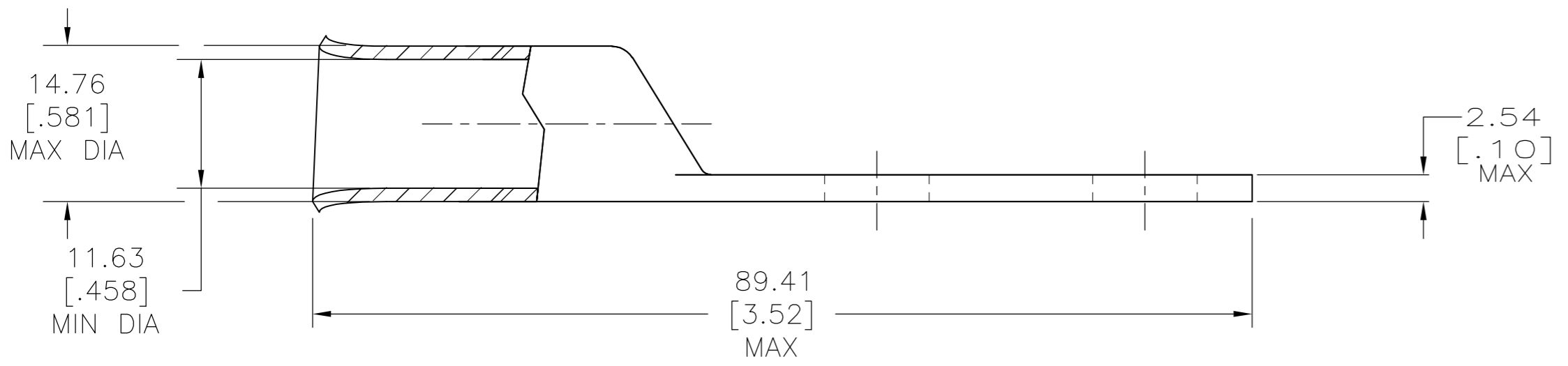
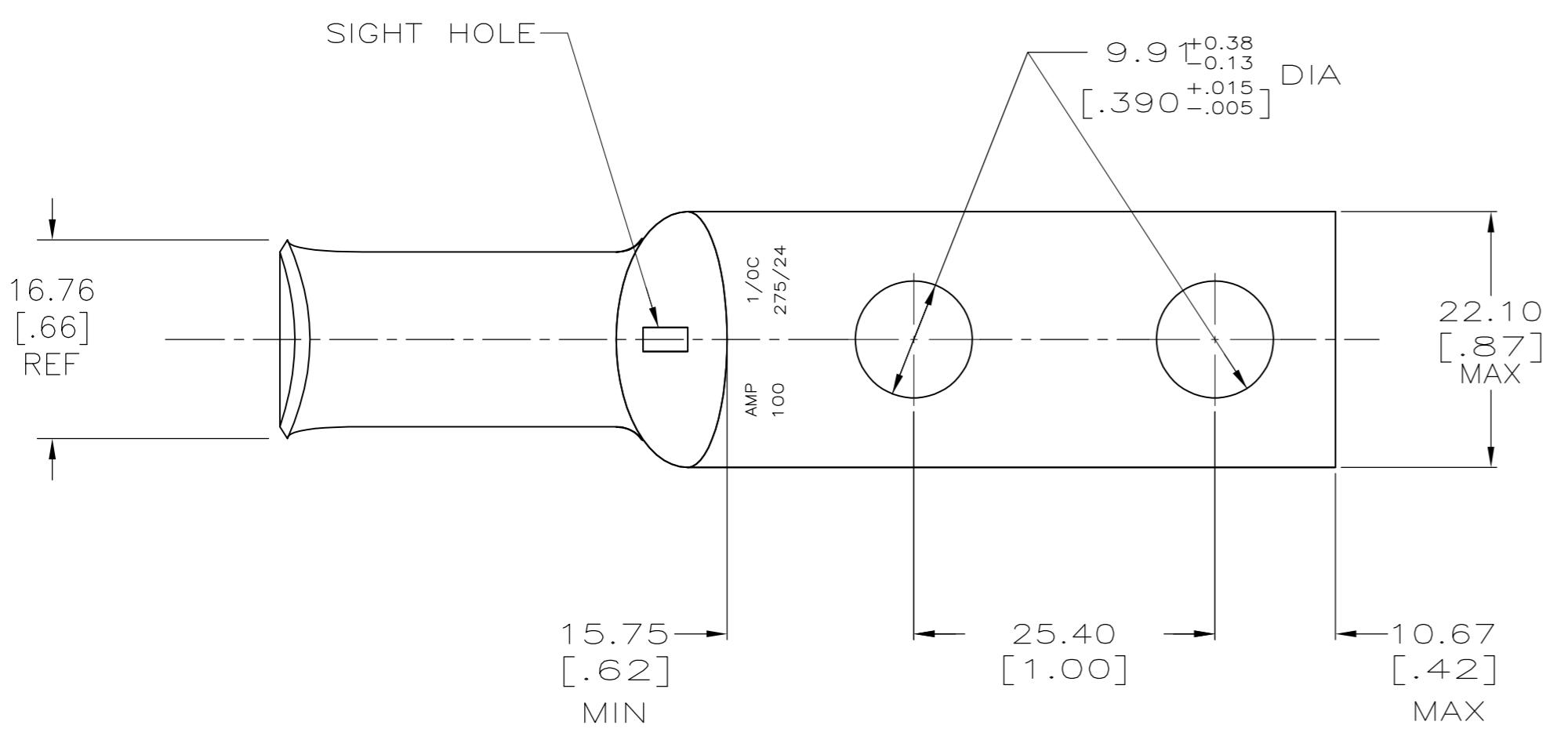


THIS DRAWING IS UNPUBLISHED. RELEASED FOR PUBLICATION
 © COPYRIGHT - By - ALL RIGHTS RESERVED.

LOC	DIST	REVISIONS					
		P	LTR	DESCRIPTION	DATE	DWN	APVD
G	86		A	INITIAL RELEASE	17JUL2014	KR	SH
			A1	ECR-14-012693	23AUG2014	KR	SH



- 1 CIRCULAR MIL RANGE: 83,700-119,500 CM
- 2 TIN PL 0.00381[.000150] MIN THK PER ASTM B-545

\triangle	2286930-1
FINISH	PART NO

THIS DRAWING IS A CONTROLLED DOCUMENT.		DWN 17JUL2014 RAGHAVENDRA K	TE TE Connectivity	
DIMENSIONS: INCHES		CHK 17JUL2014 PIVETTA PATRICE		
TOLERANCES UNLESS OTHERWISE SPECIFIED:		APVD 17JUL2014 HEADER STEPHEN	NAME	
0 PLC ± -		PRODUCT SPEC	TERMINAL, AMPPOWER, WIRE SIZE: 1/0 AWG	
1 PLC ± -		APPLICATION SPEC	SIZE CAGE CODE DRAWING NO RESTRICTED TO	
2 PLC ± 0.51[.020]			A2 00779 C-2286930	
3 PLC ± -			SCALE 2:1 SHEET 1 of 1 REV A1	
4 PLC ± -				
ANGLES ± -				
FINISH		WEIGHT .072 LB		
MATERIAL ANNEALED COPPER ASTM B-75		SEE TABLE	CUSTOMER DRAWING	

2286930