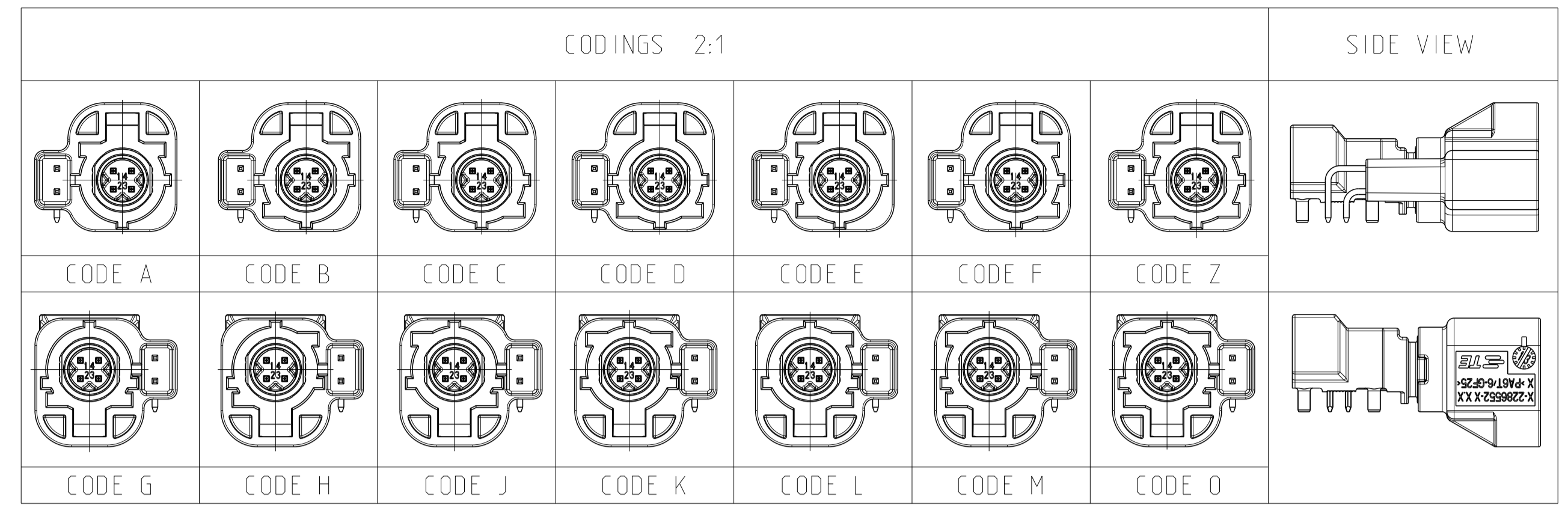


LOC		DIST		REVISIONS			
P	LTN	DESCRIPTION		DATE	DMN	APVD	
C		E-18-008903		11JUN2018	MW	MR	
D		E-19-007934		17MAY2019	AW	MR	
D1		E-19-013099		26AUG2019	YC	DF	
D2		E-20-016235		13NOV2020	AW	MR	

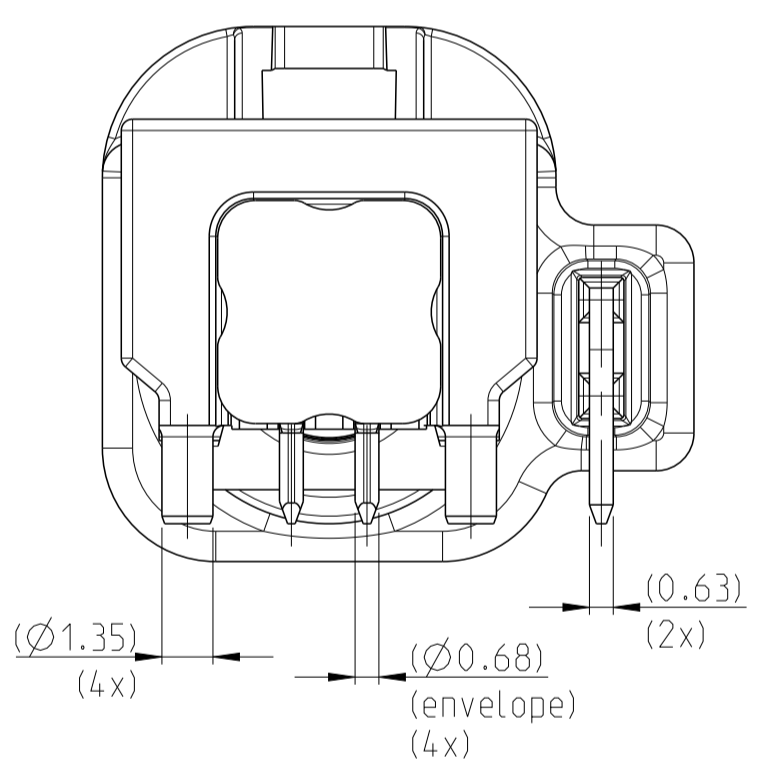
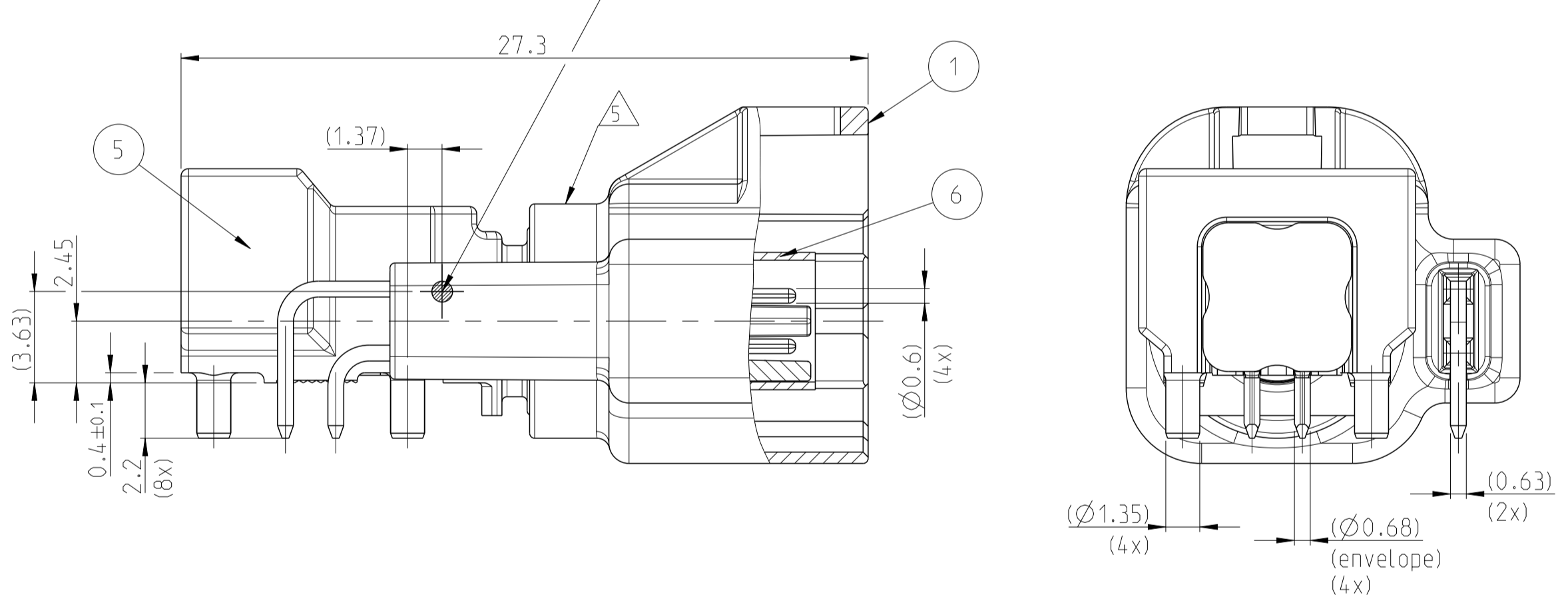
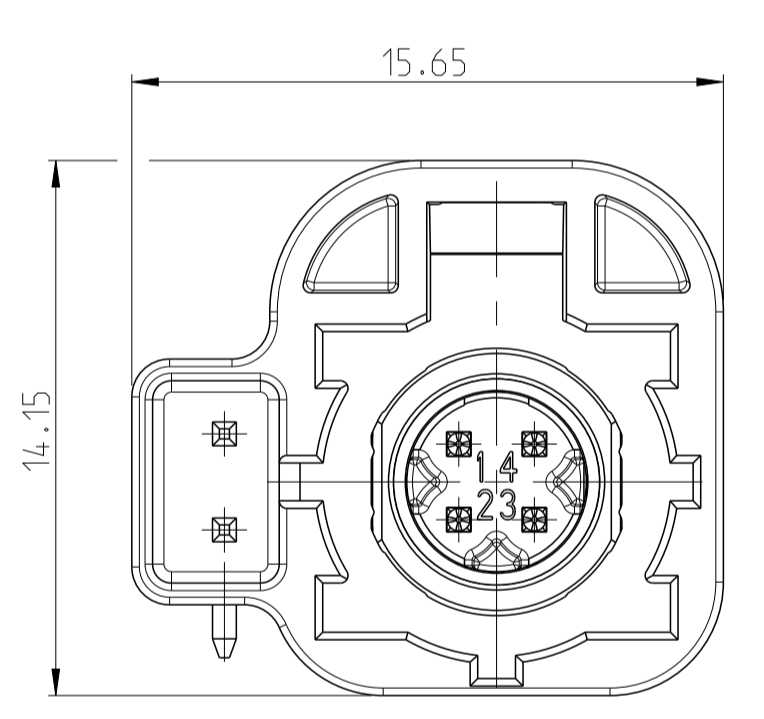
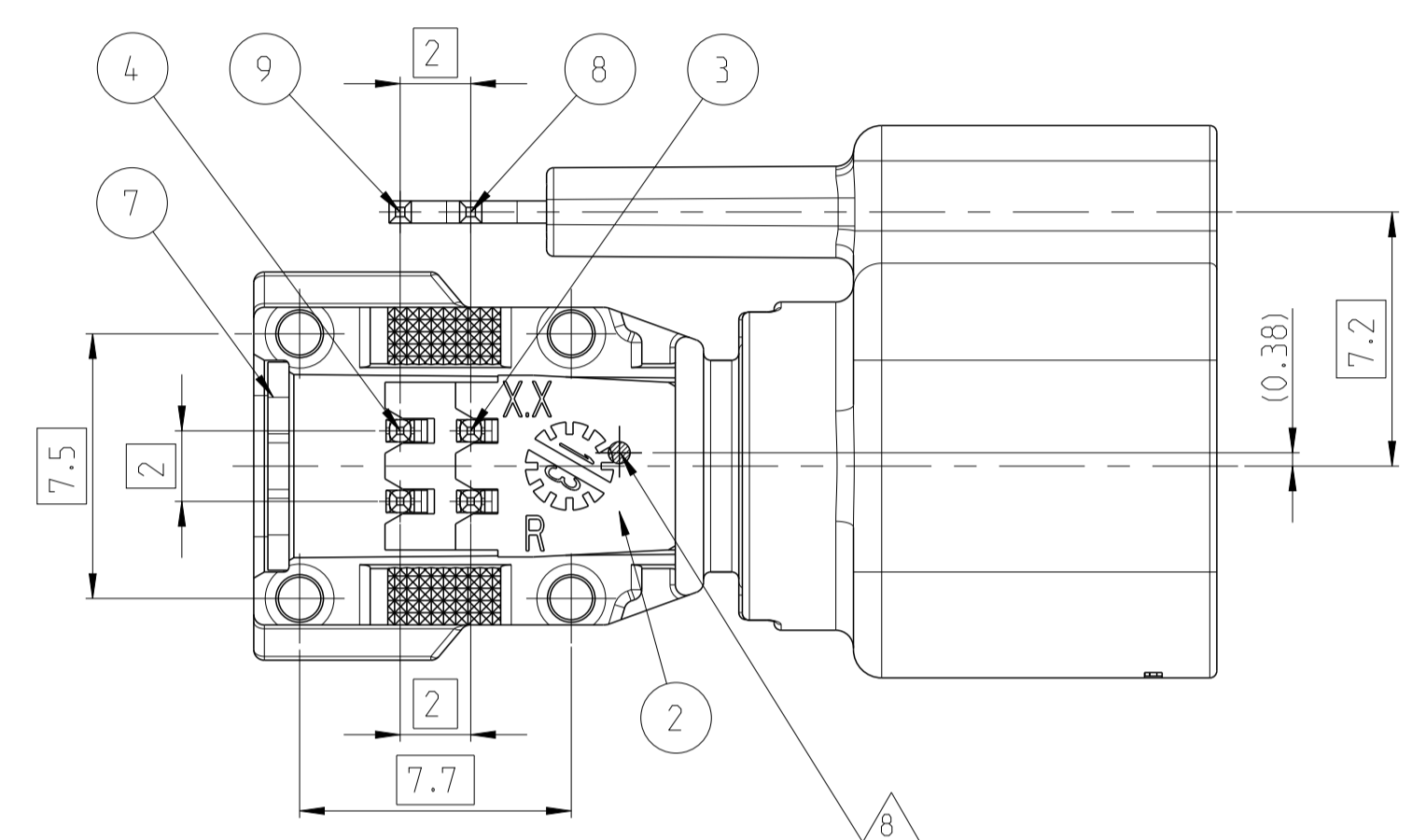


NOTES
 Bemerkung

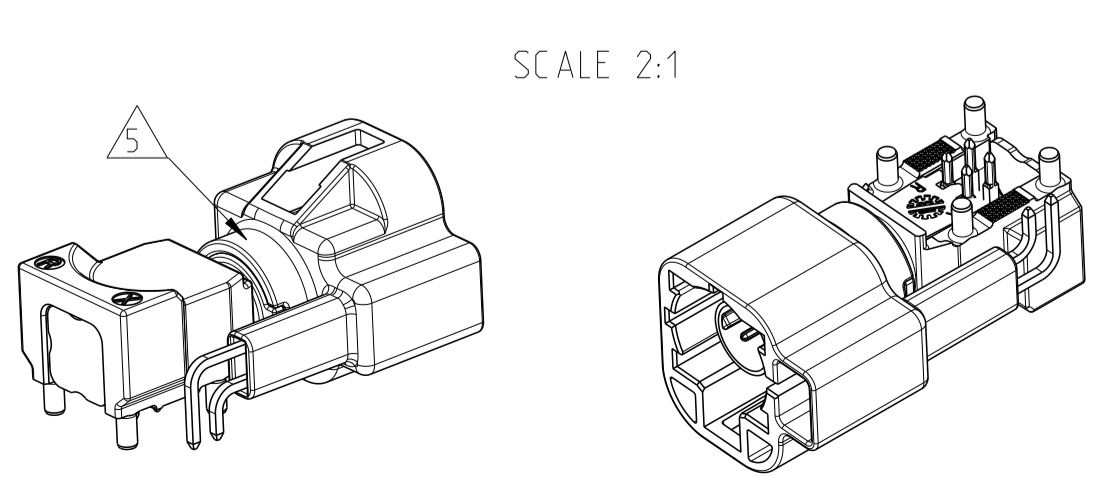
- ONLY THE GERMAN LANGUAGE SHALL BE BINDING
 Massgebend ist der deutsche Text
- DETAILS OF DESIGN ARE LEFT TO TE CONNECTIVITY
 Einzelheiten der Ausfuehrung bleiben TE CONNECTIVITY ueberlassen
- HSD INTERFACE ACC. TO TE SPEC. 114-94444
 HSD Schnittstelle nach TE-Spez. 114-94444
- PACKAGING TAPE AND REEL
 Verpackung Blistergurt
- MARKING OF 100% TEST PASSED
 Gueteilmarkierung nach bestandener 100% Pruefung
- FOR FITTING HSD CONNECTOR PLEASE CONTACT TE CONNECTIVITY
 Fuer passenden gegenstecker bitte TE Connectivity kontaktieren
- ALL DIMENSIONS IN BRACKETS () FOR INFORMATION ONLY
 Alle Masse in Klammern () nur zur Information
- CENTER OF GRAVITY
 Schwerpunkt
- PCB LAYOUT ACCORDING TO TE SPEC. 114-94381
 Platinenlayout nach TE-Spez. 114-94381

WEIGHT [g]: 7.10
 Gewicht [g]: 7.10

AS SHOWN / wie gezeigt Codierung Z



QTY	DESCRIPTION	MATERIAL	FINISH COLOUR, SIMILAR RAL	ITEM NO
1	MQS PIN (LONG)	CuSn6	TIN PLATING	9
1	MQS Pin (lang)		Verzinnung	8
1	MQS PIN (SHORT)			
1	MQS Pin (kurz)			
1	SHIELDING CAP	CuZn37	TIN PLATING	7
1	Schirmkappe		Verzinnung	
1	SHIELDING TUBE	Cu-DHP	INTERFACE SIDE: NICKEL PLATING	6
1	Schirmrohr		MIN. 3-6µm	
1	STECKSEITE: Vernickelung		min. 3-6µm	
1	SCHIELDING BODY	ZnAl4Cu1	SOLDER SIDE: TIN PLATING	5
1	Schirmgehäuse		Lotseite: Verzinnung	
2	CONTACT PIN (LONG)		SOLDER SIDE: TIN PLATING MIN 3µm	4
2	Kontaktpin (Lang)		Lotseite: Verzinnung min. 3µm	
2	CONTACT PIN (SHORT)	CuSn4	INTERFACE SIDE: GOLD PLATING	3
2	Kontaktpin (kurz)		Steckseite: Vergoldung	
1	CAVITY BLOCK	PA4T-GF30 or alternative	BLACK	2
1	Kontaktraeger			
1	0		LIGHT GREEN. 6027	
1	M		PASTEL ORANGE. 2003	
1	L		YELLOW GREEN. 6018	
1	K		CURRY. 1027	
1	J		BEIGE. 1001	
1	H		HEATHER VIOLET. 4003	
1	G		BLuish GREY. 7031	
1	Z		WATER BLUE. 5021	
1	F		NUT BROWN. 8011	
1	E		LEAF GREEN. 6002	
1	D		CLARET VIOLET. 4004	
1	C		SIGNAL BLUE. 5005	
1	B		CREAM WHITE. 9001	
1	A		JET BLACK. 9005	



QUANTITY	CODE	DESCRIPTION	MATERIAL	FINISH COLOUR, SIMILAR RAL	ITEM NO
0-1		ASSY NO X-228650-Y			
A		ASSY CODE			
D		REVISION			

THIS DRAWING IS A CONTROLLED DOCUMENT.

DMN: A. Weiss	15 JUL 2014	TE Connectivity HSD 90-2MQS HEADER HSD 90-2MQS Stecker
CHK: M. Reinhardt	15 JUL 2014	
APVD: M. Reinhardt	15 JUL 2014	
NAME: M. Reinhardt		

PRODUCT SPEC: 108-94479
 APPLICATION SPEC: 114-94381
 WEIGHT: -

Customer Drawing

RESTRICTED TO: -

SCALE: 5:1 SHEET 1 OF 1 REV: D2