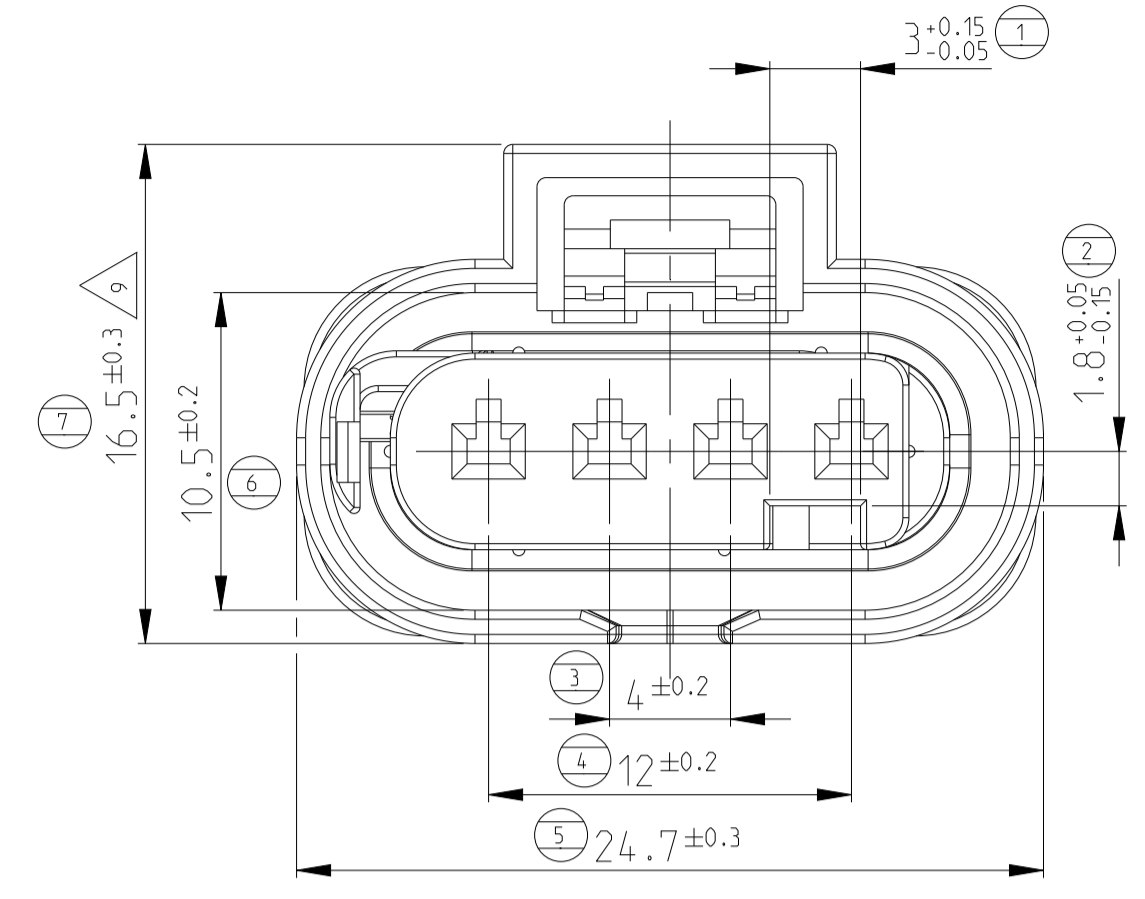
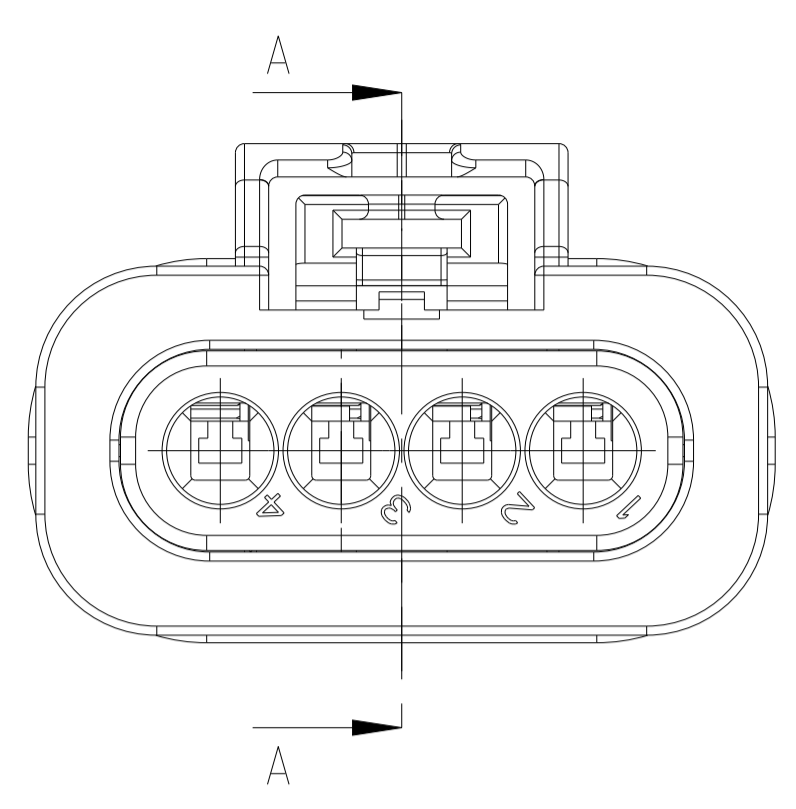
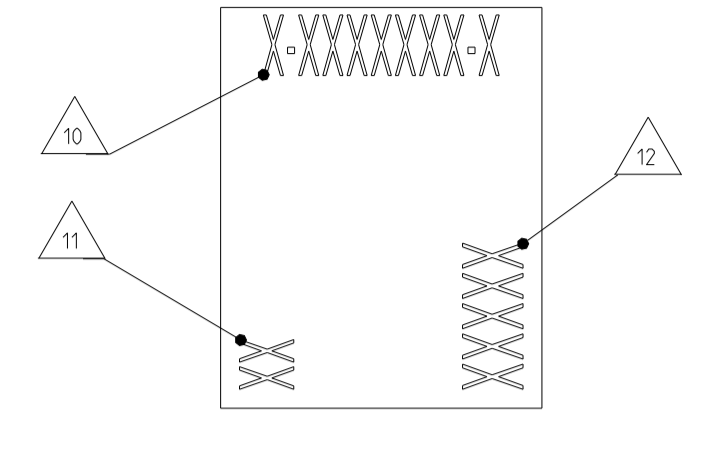
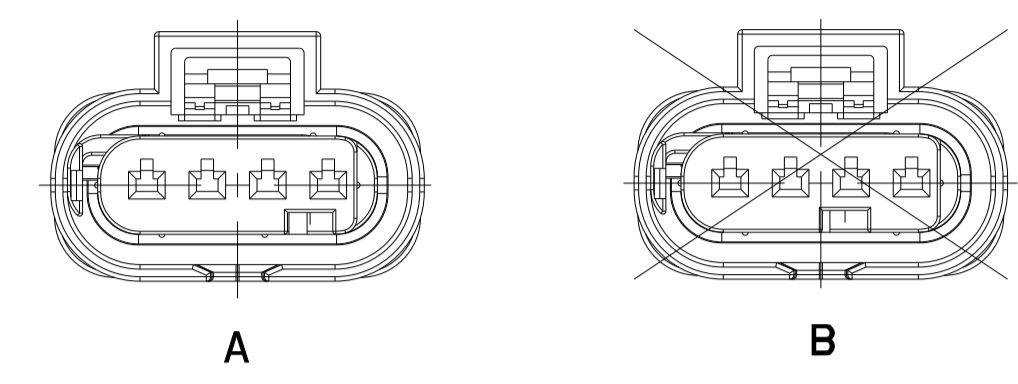


PRINT: **5:1**



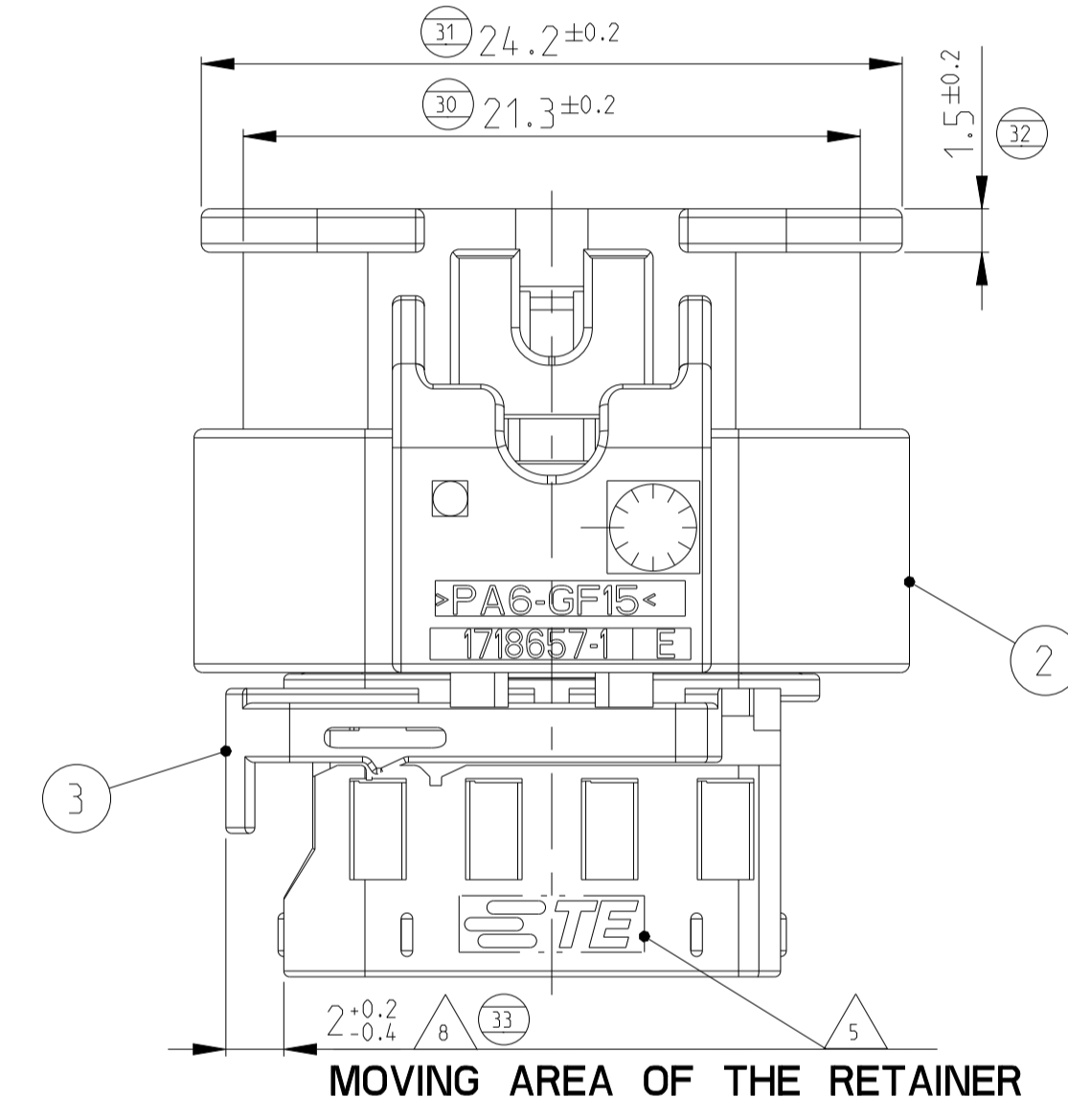
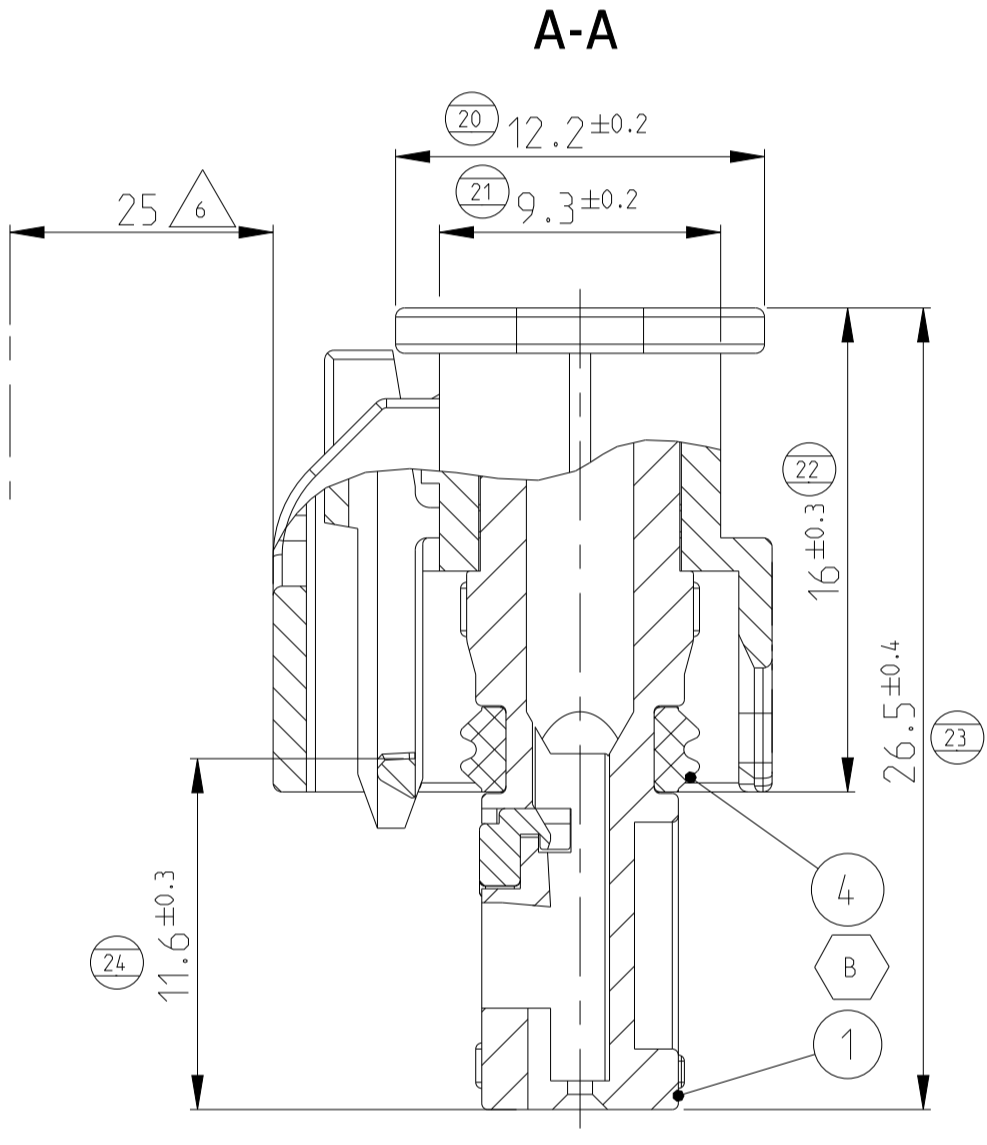
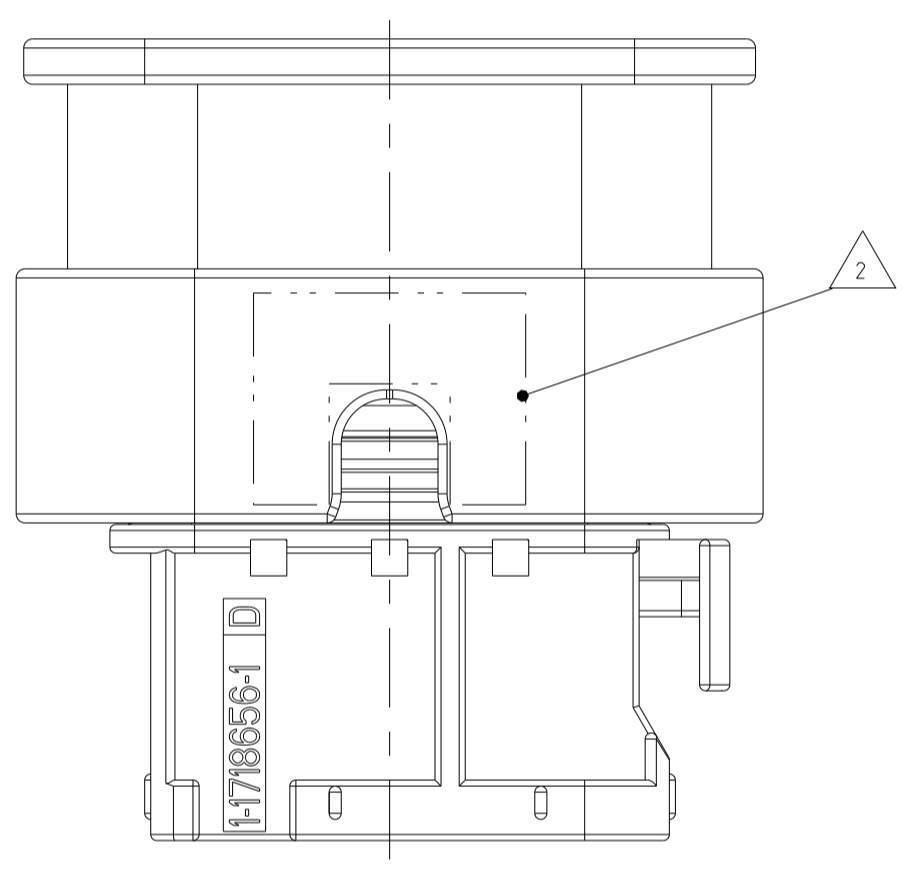
**CODINGS**  
2:1



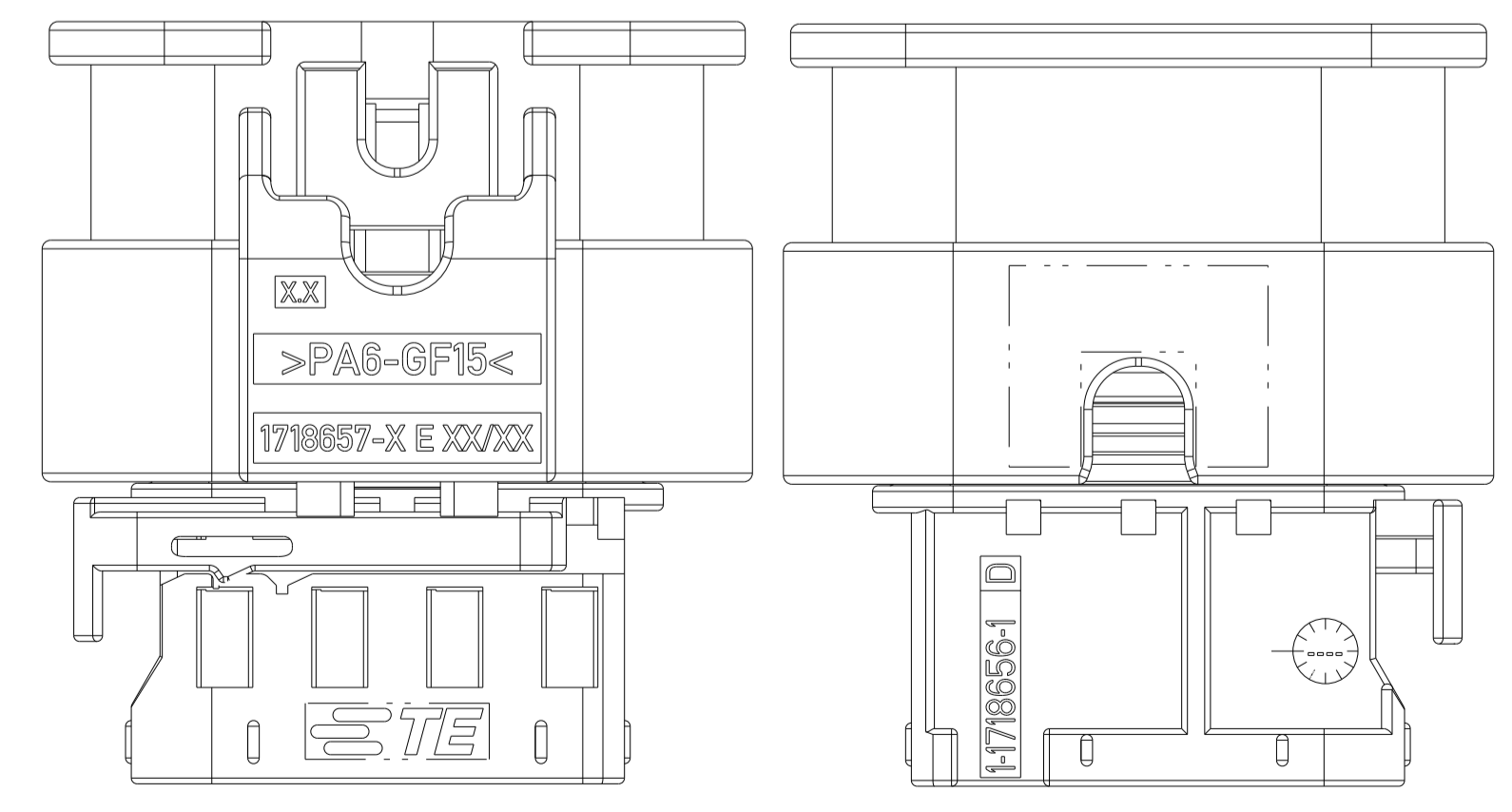
REVISIONS				
P	LTN	DESCRIPTION	DATE	APVD
A		NEW DRAWING	24 JUN 2014	SzN GB
B		Seal and Rec. Hsg. design improvement	21 OCT 2021	SZN LSZ

**NOTES:**

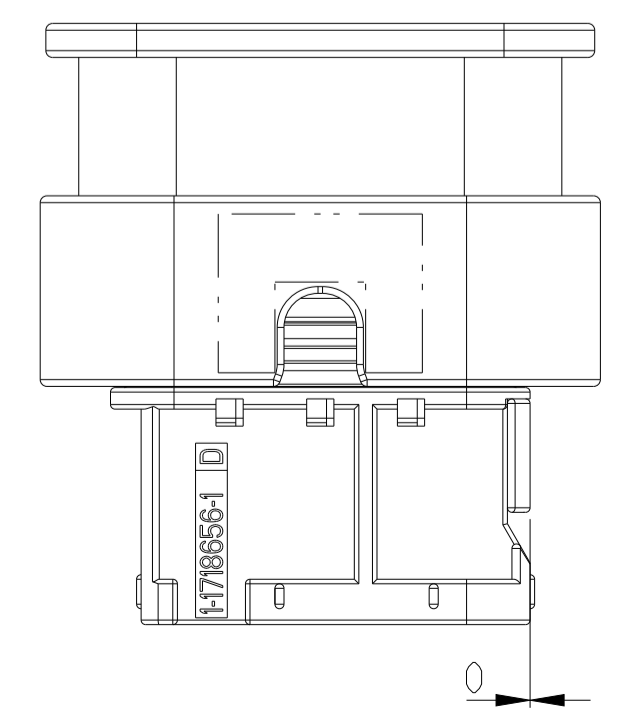
- 1 MAX. WIRE SIZE RANGE 1.0 mm<sup>2</sup> FLR PERMITTED FOR CAVITY-Ø 3.55MM  
 QUANTITY SEE WIRE HARNESS DRAWING  
 FOR PERMISSIBLE CURRENT CARRYING CAPACITY OF THE SINGLE CONTACT  
 SEE PRODUCT SPECIFICATION NO. 108-18782
  - 2 AREA FOR PRINT
  - 3 USABLE CONTACTS MCON 1.2 LL  
 SEE TE-NO. 1452674, SINGLE WIRE SEAL-VERSION
  - 4 ACCORDING TO INTERFACE DRAWING 114-18679-3
  - 5 SUPPLIER-MARK
  - 6 SPACE OF ACTIVITY
  - 7 -
  - 8 SUPPLY CONDITION: RETAINER IN PRELOCKED POSITION
  - 9 WARPAGE PERMITTED TO MAX. -0.5mm
  - 10 TE ORDER-NO.
  - 11 ASSEMBLY LINE SEGMENT IDENTIFICATION
  - 12 DATE CODE (DDYY)
  - 13 -
- 1-...-1 AS SHOWN



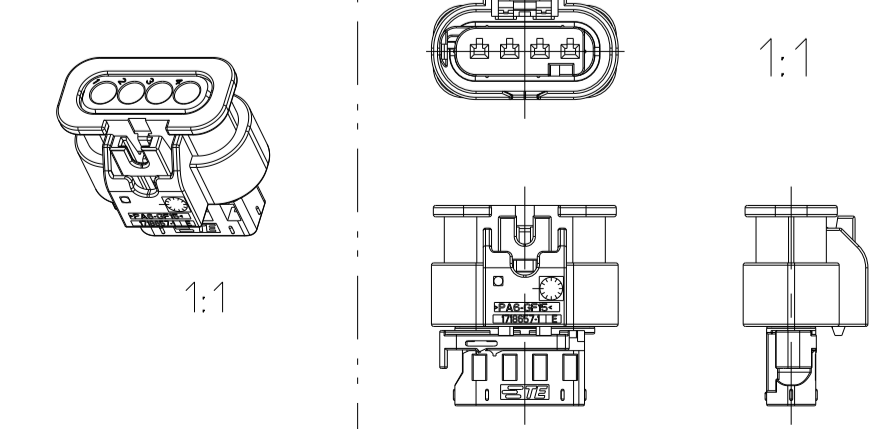
**VERSIONS WITH DIVERGENT MARKING FOR COMPONENTS FROM DIFFERENT TOOLS.**



**RETAINER IN END-LOCK POSITION**  
3:1



**3D VIEW**



TE-ORDER-NO.	COD	TITLE	REV	QTY	TITLE	MATERIAL	SURFACE/COLOUR	ITEM
1-2286471-1	A	4pos. MCON 1.2 - LL Connector, Sealed	B	1	4pos. MCON 1.2 - Seal	MVQ	NATURE	4
				1	4pos. MCON 1.2 - Retainer	PA66-GF15	VIOLET	3
				1	4pos. MCON 1.2 - Protec. Cover	PA6-GF15	BLACK	2
				1	4pos. MCON 1.2 - Rec. Housing	PA66-GF30	BLACK	1

DIMENSIONS: mm TOLERANCES UNLESS OTHERWISE SPECIFIED: 0 PLC ±0.1 1 PLC ±0.1 2 PLC ±0.1 3 PLC ±0.1 4 PLC ±0.1 ANGLES ±0.5° FINISH -		TOLERANCES UNLESS OTHERWISE SPECIFIED ACC. TO DIN 16901-140@CENTRIC TO NOMINAL DIMENSION, EDITION 1982-11 SHALL APPLY. Freimess toleranzen nach DIN 16901-140@. Es gilt die Ausgabe 1982-11. THIS DRAWING IS A CONTROLLED DOCUMENT.		DWN: SzN Nemes 23 JUN 2014 CHK: G. Benzlup 30 JUN 2014 APVD: - NAME: 4pos. MCON 1.2-LL Connector, Sealed PRODUCT SPEC: 108-18969 APPLICATION SPEC: 114-18861 WEIGHT: 5 g CUSTOMER DRAWING:		NAME: 4pos. MCON 1.2-LL Connector, Sealed SIZE: A1 CAGE CODE: 00779 DRAWING NO: C=2286471 SCALE: 4:1 SHEET: 1 of 1 REV: B	
--	--	---	--	---	--	---	--