

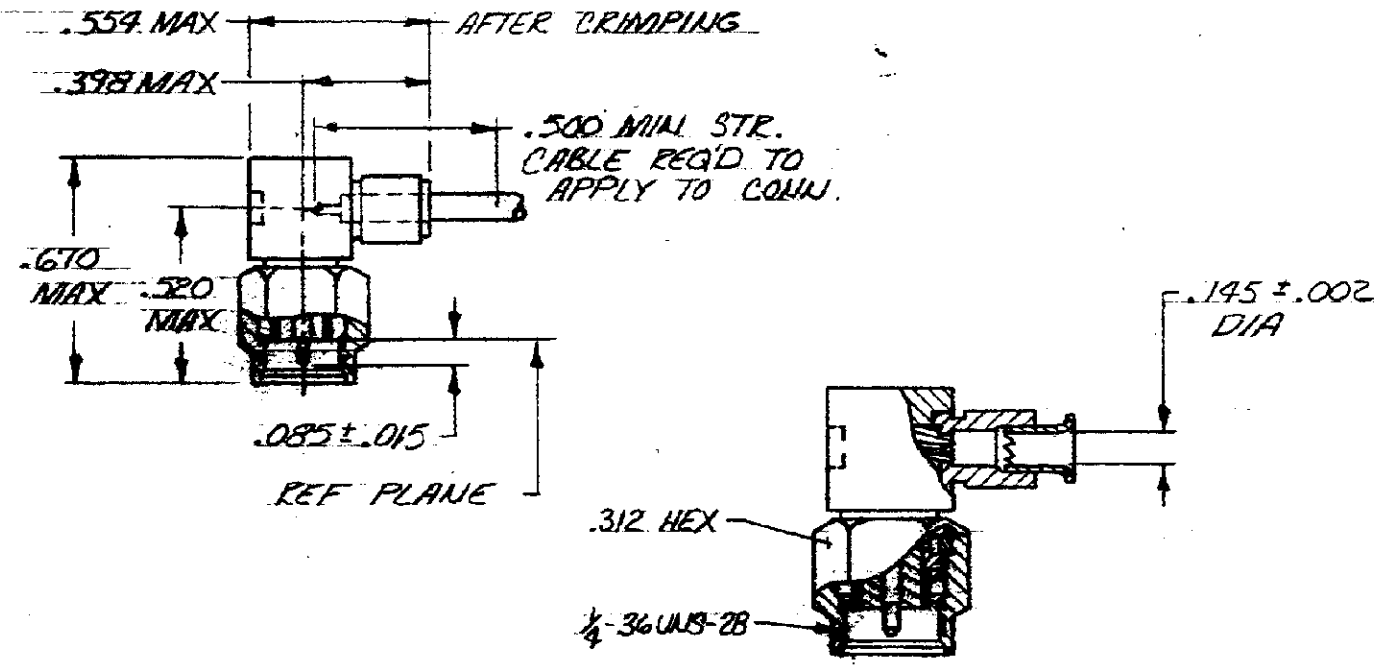
DRAWING MADE IN THIRD ANGLE PROJECTION

THIS DRAWING IS UNPUBLISHED. RELEASED FOR PUBLICATION, 19

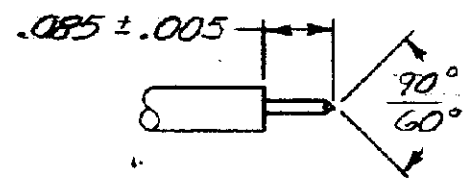
© COPYRIGHT 19 BY AMP INCORPORATED, HARRISBURG, PA. ALL INTERNATIONAL RIGHTS RESERVED. AMP PRODUCTS MAY BE COVERED BY U.S. AND FOREIGN PATENTS AND/OR PATENTS PENDING.

LOC AJ DIST 16

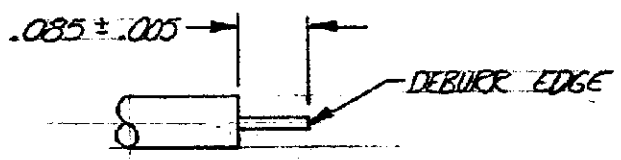
REVISIONS						
P	F	ZONE	LTR	DESCRIPTION	DATE	APPROVED
✓	✓		8	REV & REDWN C83-735		TJ/LH
✓	✓		C	REV PER AJ-2419	1-15-87	BAM/JH



1. FOR USE WITH : .141 SEMI RIGID CABLE.
- ② SILICONE RUBBER PER ZZ-R-765.
- ③ STAINLESS STEEL PER QQ-S-764.
- ④ BRASS PER QQ-B-613.
- ⑤ TEFLON PER LP-403.
- ⑥ NICKEL PL PER QQ-N-290.
- ⑦ GOLD PL PER MIL-G-95204.
- ⑧ BERYLLIUM COPPER PER QQ-C-530.
- ⑨ PASSIVATED BODY.
10. MILITARY P/N 00779 M39012/80-3308



RECOMMENDED STRIP LENGTH



OPTIONAL STRIP LENGTH

UNLESS OTHERWISE SPECIFIED DIMENSIONS ARE IN INCHES. TOLERANCES ON: DECIMALS ± ANGLES ±		CONTRACT NO		AMP INCORPORATED Harrisburg, Pa.	
MATERIAL		DR. T. Smith 7/18/83		NAME CONNECTOR, COAXIAL, R.F. PLUG, RIGHT ANGLE MIL-F, SERIES SMA	
FINISH		CHK D.S. Heide 7/22/83		DRAWING NO 228626-1	
APPROVED		APPROVED		SCALE IITS	
OTHER APPRO		DESIGN APPRO		SHEET	