

4

3

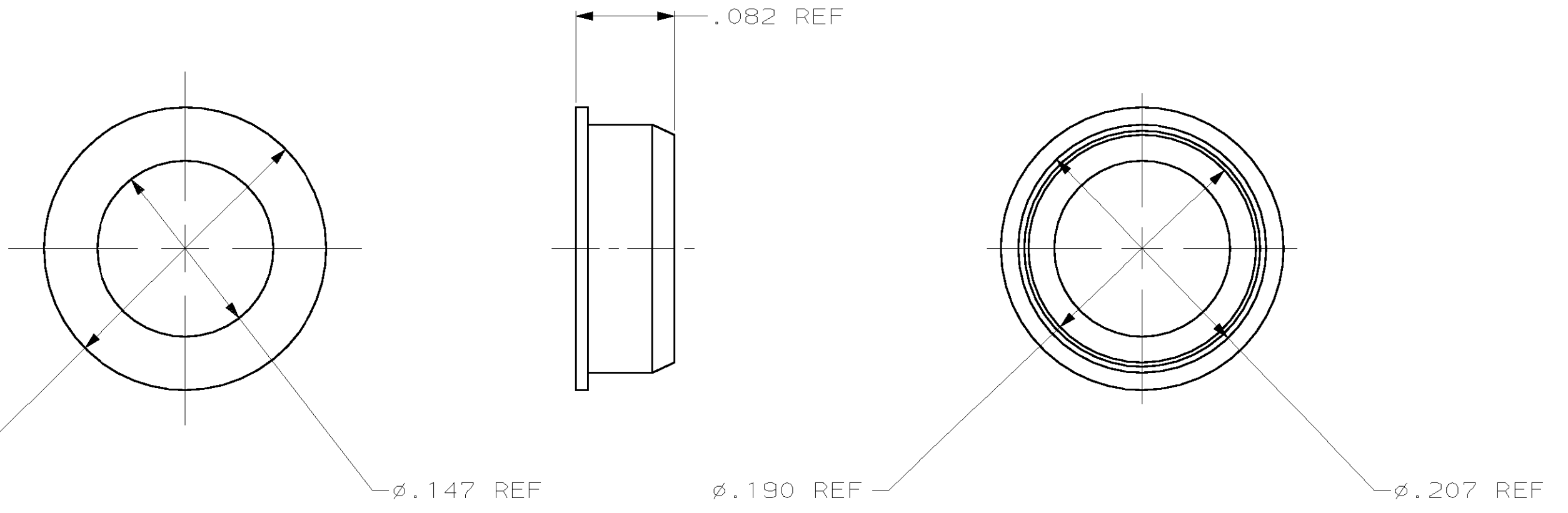
2

1

THIS DRAWING IS UNPUBLISHED. RELEASED FOR PUBLICATION ,19 .
 © COPYRIGHT 19 BY AMP INCORPORATED. ALL RIGHTS RESERVED.

LOC	DIST	REVISIONS			
P	LTR	DESCRIPTION	DATE	DWN	APVD
		0	REV PER 0U20-0169-99	28OCT99	MO KW

1 MATERIAL: NYLON, TYPE 6/6, BLACK



1	228616-1
MATERIAL	PART NUMBER

THIS DRAWING IS A CONTROLLED DOCUMENT.		DWN M. O'BRINE 28OCT99	AMP Incorporated Harrisburg, PA 17105-3608													
DIMENSIONS: INCHES		CHK K. WEIDNER 28OCT99														
TOLERANCES UNLESS OTHERWISE SPECIFIED:		APVD K. WEIDNER 28OCT99	NAME													
<table border="0"> <tr><td>0 PLC</td><td>±-</td></tr> <tr><td>1 PLC</td><td>±-</td></tr> <tr><td>2 PLC</td><td>±-</td></tr> <tr><td>3 PLC</td><td>±-</td></tr> <tr><td>4 PLC</td><td>±-</td></tr> <tr><td>ANGLES</td><td>±-</td></tr> </table>		0 PLC	±-	1 PLC	±-	2 PLC	±-	3 PLC	±-	4 PLC	±-	ANGLES	±-	PRODUCT SPEC	RING, ALIGNMENT, SIZE 8	
0 PLC	±-															
1 PLC	±-															
2 PLC	±-															
3 PLC	±-															
4 PLC	±-															
ANGLES	±-															
MATERIAL -		FINISH -	APPLICATION SPEC	RESTRICTED TO												
		WEIGHT -	SIZE	CAGE CODE												
		CUSTOMER DRAWING	DRAWING NO													
		SCALE 10:1	A3 00779 C- 228616													
		SHEET 1 OF 1	REV 0													

NOT the LATEST REVISION