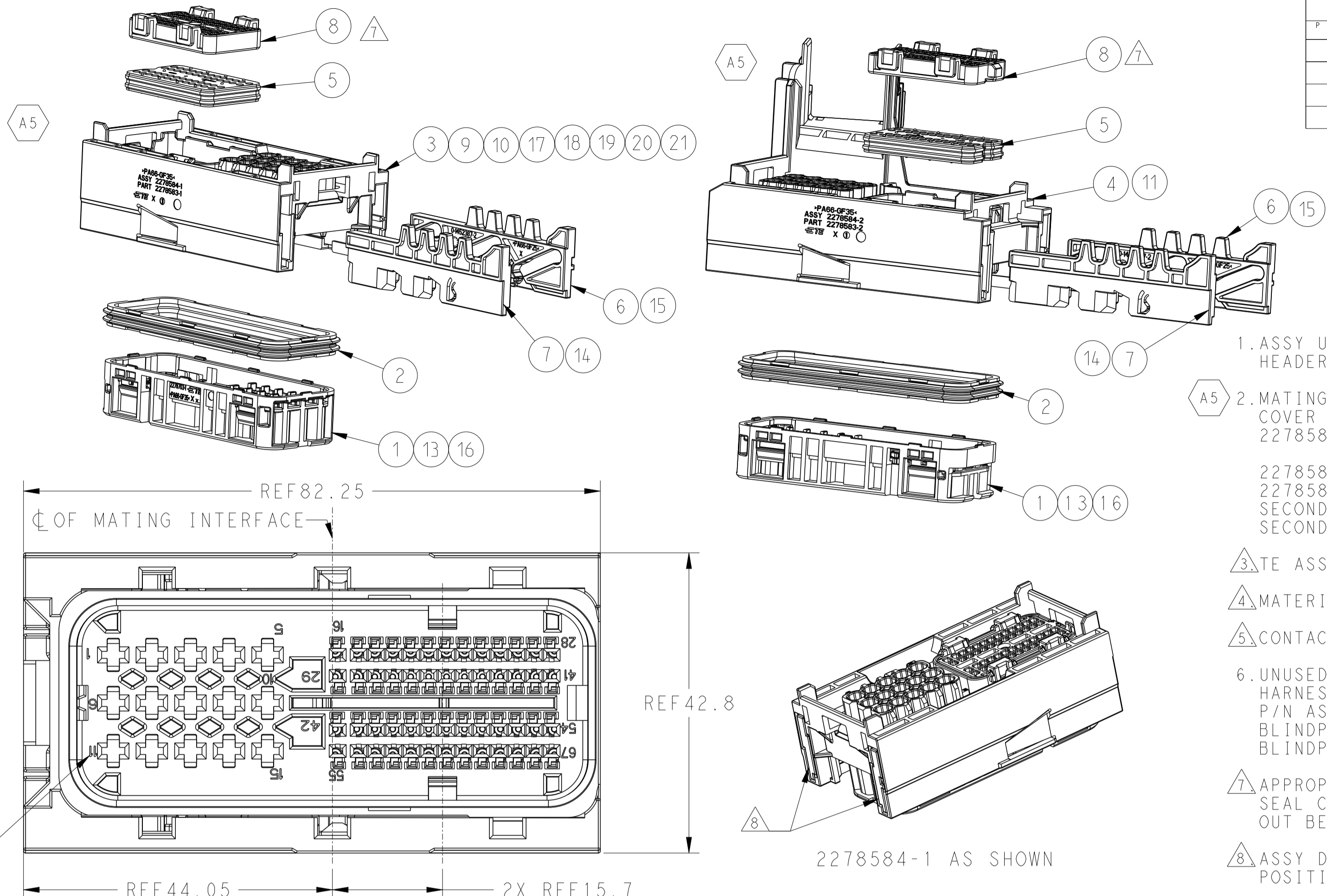
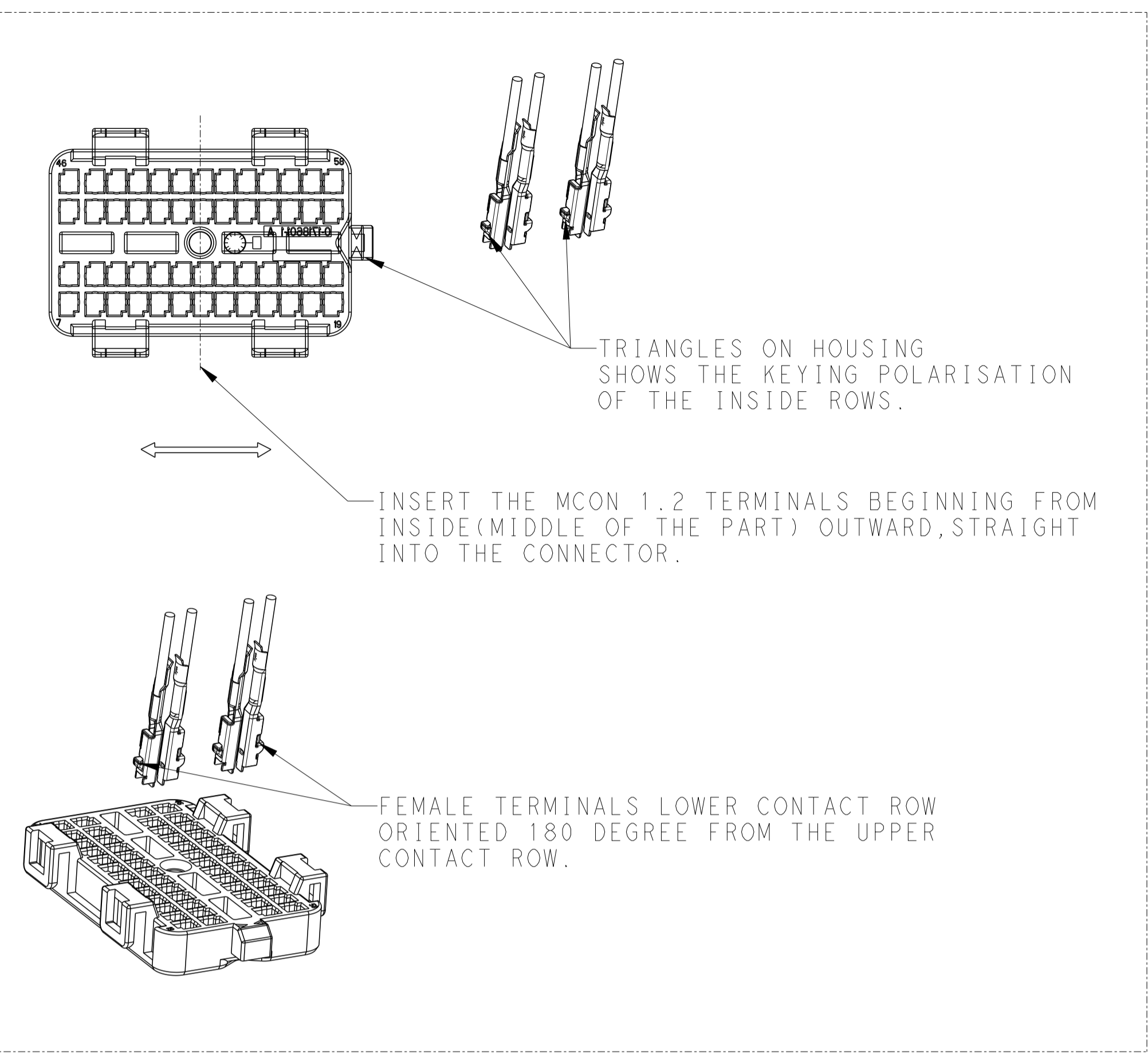
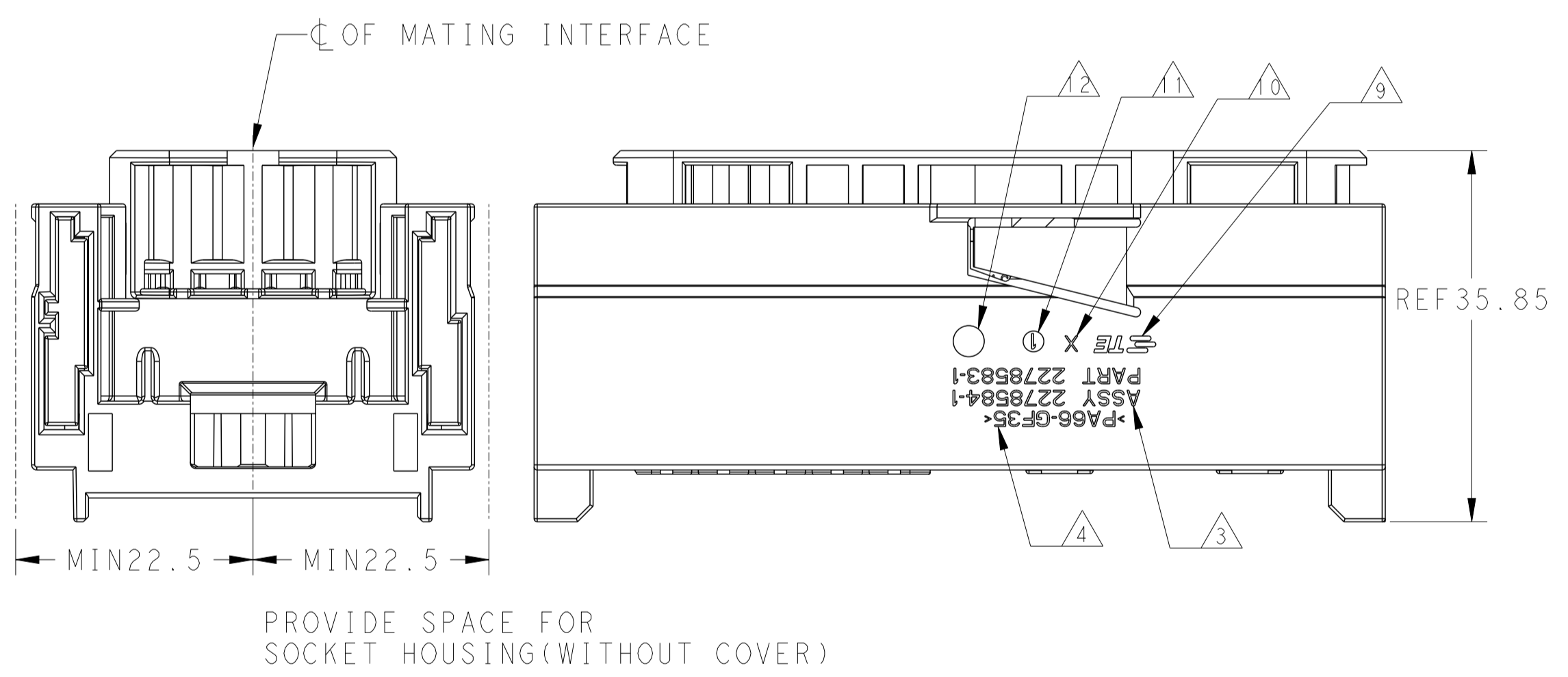


| REVISIONS |     |                         |         |          |
|-----------|-----|-------------------------|---------|----------|
| P         | LTN | DESCRIPTION             | DATE    | OWN APVD |
| A2        |     | REVISION(ECR-21-006140) | 11AUG21 | V.S J.Z  |
| A3        |     | REVISION(ECN-21-124983) | 13OCT21 | B.D J.Z  |
| A4        |     | REVISION(ECN-22-142176) | 08MAR22 | O.H J.Z  |
| A5        |     | ECN-24-258431           | 28MAR24 | O.H J.Z  |



1. ASSY USED WITH PARTS: HEADER TE P/N: 2278594-1
2. MATING WITH: COVER P/N: 2278586-1 FOR 2278584-1, 2278584-6, 2278584-6; 2278586-2 FOR 2278584-2; 2278586-3 FOR 2278584-3; SECONDARY LOCK P/N FOR MCP 2.8 : 2278827-1; SECONDARY LOCK P/N FOR MCON1.2 : 1452409-2;
3. TE ASSY NO.
4. MATERIAL IDENTIFICATION;
5. CONTACT CAVITY IDENTIFICATION;
6. UNUSED CAVITIES TO BE SEALED BY THE HARNESS MAKER-CORRESPONDING BLINDPLUG P/N AS BELOW: BLINDPLUG FOR MCP 2.8: 0-828922-1; BLINDPLUG FOR MCON1.2: 1-1452424-1;
7. APPROPRIATE PINOUT CONFIGURATION OF THE MAT SEAL COVER ACC. TABLE ON SHEET 3 TO BE PUNCHED OUT BEFORE ASSEMBLY PROCESS.
8. ASSY DELIVERED WITH SLIDERS IN THE PRE-LOCKED POSITION.
9. TE LOGO;
10. REVISION NUMBER;
11. CAVITY NUMBER;
12. DATE CODE
13. SEALING FUNCTION REQUIRES ONLY FOLLOWING WIRE SIZE DIAMETERS FOR THE SIGNAL TERMINALS: 0.35mm<sup>2</sup> - 0.75mm<sup>2</sup> = ISO Ø1.2-1.9 mm.
14. 968882 JUST REFERENCE, SUBJECT TO 1355036 DRAWING



REF 82.25  
REF 42.8  
REF 44.05  
2X REF 15.7

| ASSY P/N    | CODE | A5 | A5 | A5 | A5 | A5 | A5 | A5 | A5 | A5 | A5 | A5 | A5 | A5 | A5 | A5 | A5 | A5 | A5 |
|-------------|------|----|----|----|----|----|----|----|----|----|----|----|----|----|----|----|----|----|----|
| 1-2278584-5 | A    |    |    |    |    |    |    |    |    |    |    |    |    |    |    |    |    |    |    |
| 1-2278584-4 | A    |    |    |    |    |    |    |    |    |    |    |    |    |    |    |    |    |    |    |
| 1-2278584-0 | A    |    |    |    |    |    |    |    |    |    |    |    |    |    |    |    |    |    |    |
| 5-2278584-1 | B    |    |    |    |    |    |    |    |    |    |    |    |    |    |    |    |    |    |    |
| 4-2278584-2 | A    |    |    |    |    |    |    |    |    |    |    |    |    |    |    |    |    |    |    |
| 3-2278584-2 | A    |    |    |    |    |    |    |    |    |    |    |    |    |    |    |    |    |    |    |
| 2-2278584-2 | A    |    |    |    |    |    |    |    |    |    |    |    |    |    |    |    |    |    |    |
| 3-2278584-1 | A    |    |    |    |    |    |    |    |    |    |    |    |    |    |    |    |    |    |    |
| 1-2278584-1 | A    |    |    |    |    |    |    |    |    |    |    |    |    |    |    |    |    |    |    |
| 1-2278584-2 | A    |    |    |    |    |    |    |    |    |    |    |    |    |    |    |    |    |    |    |
| 1-2278584-3 | A    |    |    |    |    |    |    |    |    |    |    |    |    |    |    |    |    |    |    |
| 2278584-9   | A    |    |    |    |    |    |    |    |    |    |    |    |    |    |    |    |    |    |    |
| 2278584-8   | A    |    |    |    |    |    |    |    |    |    |    |    |    |    |    |    |    |    |    |
| 2278584-7   | A    |    |    |    |    |    |    |    |    |    |    |    |    |    |    |    |    |    |    |
| 2278584-6   | A    |    |    |    |    |    |    |    |    |    |    |    |    |    |    |    |    |    |    |
| 2278584-5   | A    |    |    |    |    |    |    |    |    |    |    |    |    |    |    |    |    |    |    |
| 2278584-4   | A    |    |    |    |    |    |    |    |    |    |    |    |    |    |    |    |    |    |    |
| 2278584-1   | A    |    |    |    |    |    |    |    |    |    |    |    |    |    |    |    |    |    |    |
| 2278584-2   | A    |    |    |    |    |    |    |    |    |    |    |    |    |    |    |    |    |    |    |
| 2278584-3   | A    |    |    |    |    |    |    |    |    |    |    |    |    |    |    |    |    |    |    |

| ITEM | DESCRIPTION                          | MATERIAL  | COLOR      | Qty |
|------|--------------------------------------|-----------|------------|-----|
| 21   | 67 Pos Cavity Block Up 180°          | PA66-GF35 | BLACK      | 1   |
| 20   | 67 Pos Cavity Block Up 180°          | PA66-GF35 | BLACK      | 1   |
| 19   | 67 Pos Cavity Block Up 180°          | PA66-GF35 | BLACK      | 1   |
| 18   | 67 Pos Cavity Block Up 180°          | PA66-GF35 | BLACK      | 1   |
| 17   | 67 Pos Cavity Block Up 180°          | PA66-GF35 | BLACK      | 1   |
| 16   | 67 Pos Cavity Block Low              | PA66-GF35 | BLACK      | 1   |
| 15   | 96 Pos Slide Right                   | PA6-GF25  | BLACK      | 1   |
| 14   | 96 Pos Slide Left                    | PA6-GF25  | BLACK      | 1   |
| 13   | 67 Pos Cavity Block Low              | PA6-GF35  | BLACK      | 1   |
| 12   | 67 Pos Cavity Block Up 180° STRAIGHT | PA6-GF35  | BLACK      | 1   |
| 11   | 67 Pos Cavity Block Up 45°           | PA6-GF35  | BLACK      | 1   |
| 10   | 67 Pos Cavity Block Up 180°          | PA6-GF35  | BLACK      | 1   |
| 9    | 67 Pos Cavity Block Up 180° STRAIGHT | PA66-GF35 | BLACK      | 1   |
| 8    | 52 POS Seal Cover                    | PBT-GF20  | BLACK      | 1   |
| 7    | 96 Pos Slide Left                    | PA66-GF25 | BLACK      | 1   |
| 6    | 96 Pos Slide Right                   | PA66-GF25 | BLACK      | 1   |
| 5    | 52 Pos family Seal                   | SILICONE  | LIGHT BLUE | 1   |
| 4    | 67 Pos Cavity Block Up 45°           | PA66-GF35 | BLACK      | 1   |
| 3    | 67 Pos Cavity Block Up 180°          | PA66-GF35 | BLACK      | 1   |
| 2    | 96 Pos Peripheral Seal               | SILICONE  | WHITE      | 1   |
| 1    | 67 Pos Cavity Block Low              | PA66-GF35 | BLACK      | 1   |

| TERMINAL P/N | FINISH         | WIRE SIZES(MM <sup>2</sup> ) | SINGLE WIRE SEAL            | TYPE    |
|--------------|----------------|------------------------------|-----------------------------|---------|
| 0-1452503-3  |                | 1.0-1.5                      |                             | MCON1.2 |
| 0-1670144-3  | SILVER PLATED  | 0.5~0.75                     |                             |         |
| 0-1534594-3  |                | 0.35                         |                             |         |
| 0-1452503-2  |                | 1.0-1.5                      |                             | MCP2.8  |
| 0-1670144-2  | GOLD PLATED    | 0.5~0.75                     |                             |         |
| 0-1534594-2  |                | 0.35                         |                             |         |
| 0-1452503-1  |                | 1.0-1.5                      |                             | MCP2.8  |
| 0-1670144-1  | PRE-TIN PLATED | 0.5~0.75                     |                             |         |
| 0-1534594-1  |                | 0.35                         |                             |         |
| 1-968857-3   |                | 1.5-2.5                      | 0-828905-1(FOR ISOØ2.2~3.0) | MCP2.8  |
| 1-968855-3   | SILVER PLATED  | 0.5-1.0                      | 0-828904-1(FOR ISOØ1.2~2.1) |         |
| 1-968882-3   |                | 0.35                         | 0-828904-1(FOR ISOØ1.2~2.1) |         |
| 1-968857-2   |                | 1.5-2.5                      | 0-828905-1(FOR ISOØ2.2~3.0) | MCP2.8  |
| 1-968855-2   | GOLD PLATED    | 0.5-1.0                      | 0-828904-1(FOR ISOØ1.2~2.1) |         |
| 1-968882-2   |                | 0.35                         | 0-828904-1(FOR ISOØ1.2~2.1) |         |
| 1-968857-1   |                | 1.5-2.5                      | 0-828905-1(FOR ISOØ2.2~3.0) | MCP2.8  |
| 1-968855-1   | PRE-TIN PLATED | 0.5-1.0                      | 0-828904-1(FOR ISOØ1.2~2.1) |         |
| 1-968882-1   |                | 0.35                         | 0-828904-1(FOR ISOØ1.2~2.1) |         |
| TERMINAL P/N | FINISH         | WIRE SIZES(MM <sup>2</sup> ) | SINGLE WIRE SEAL            | TYPE    |

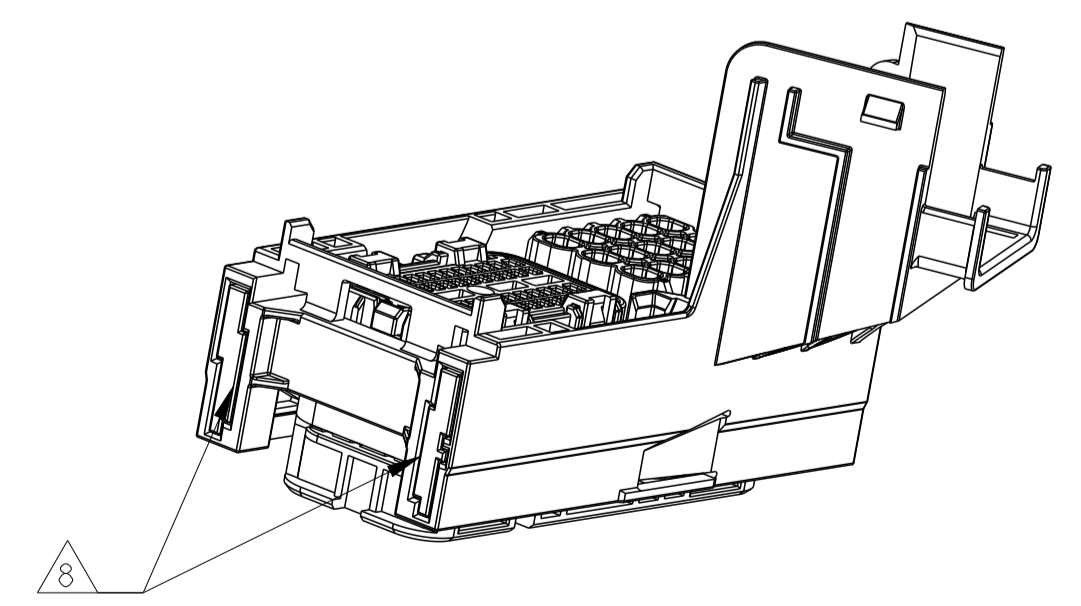
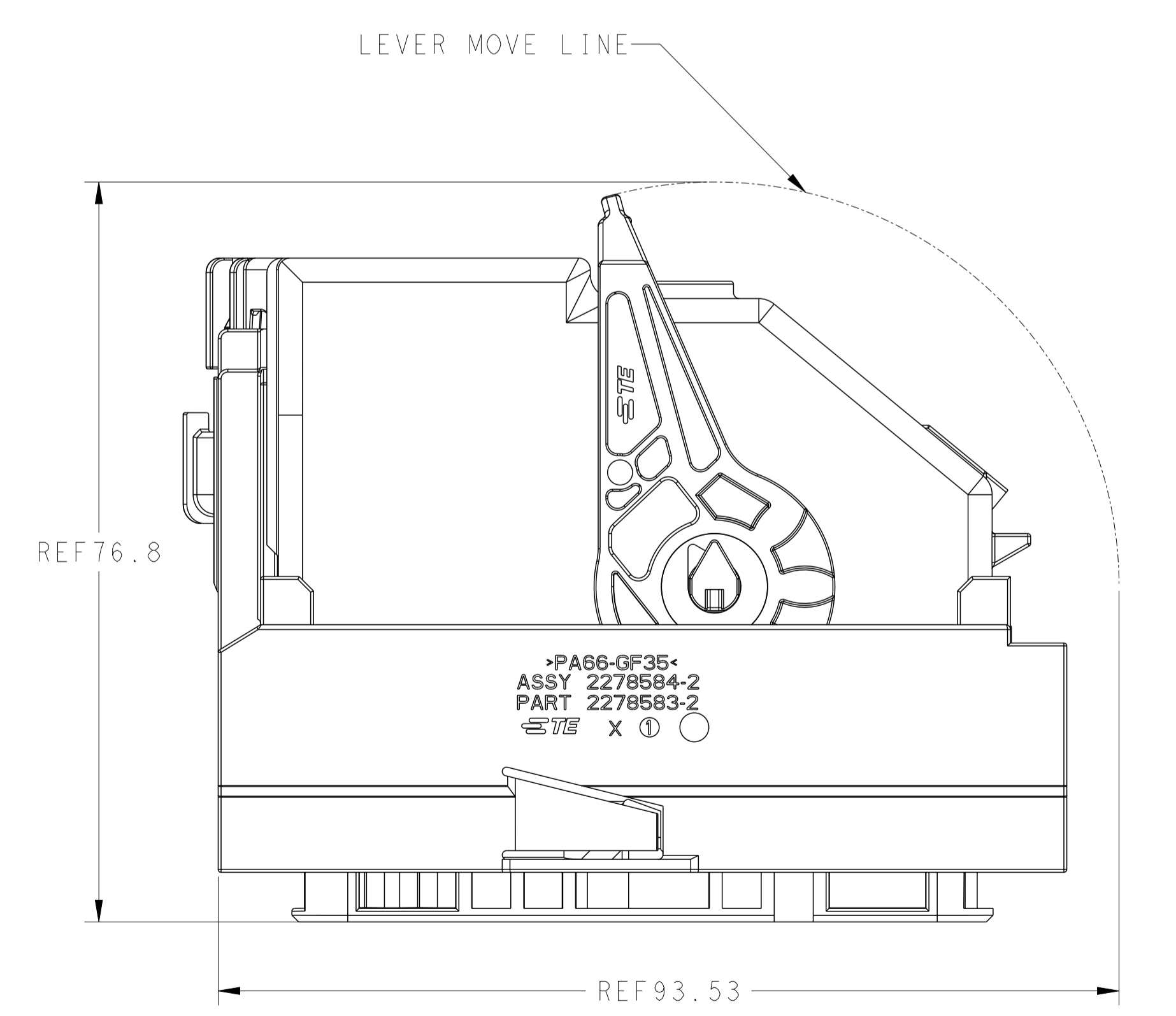
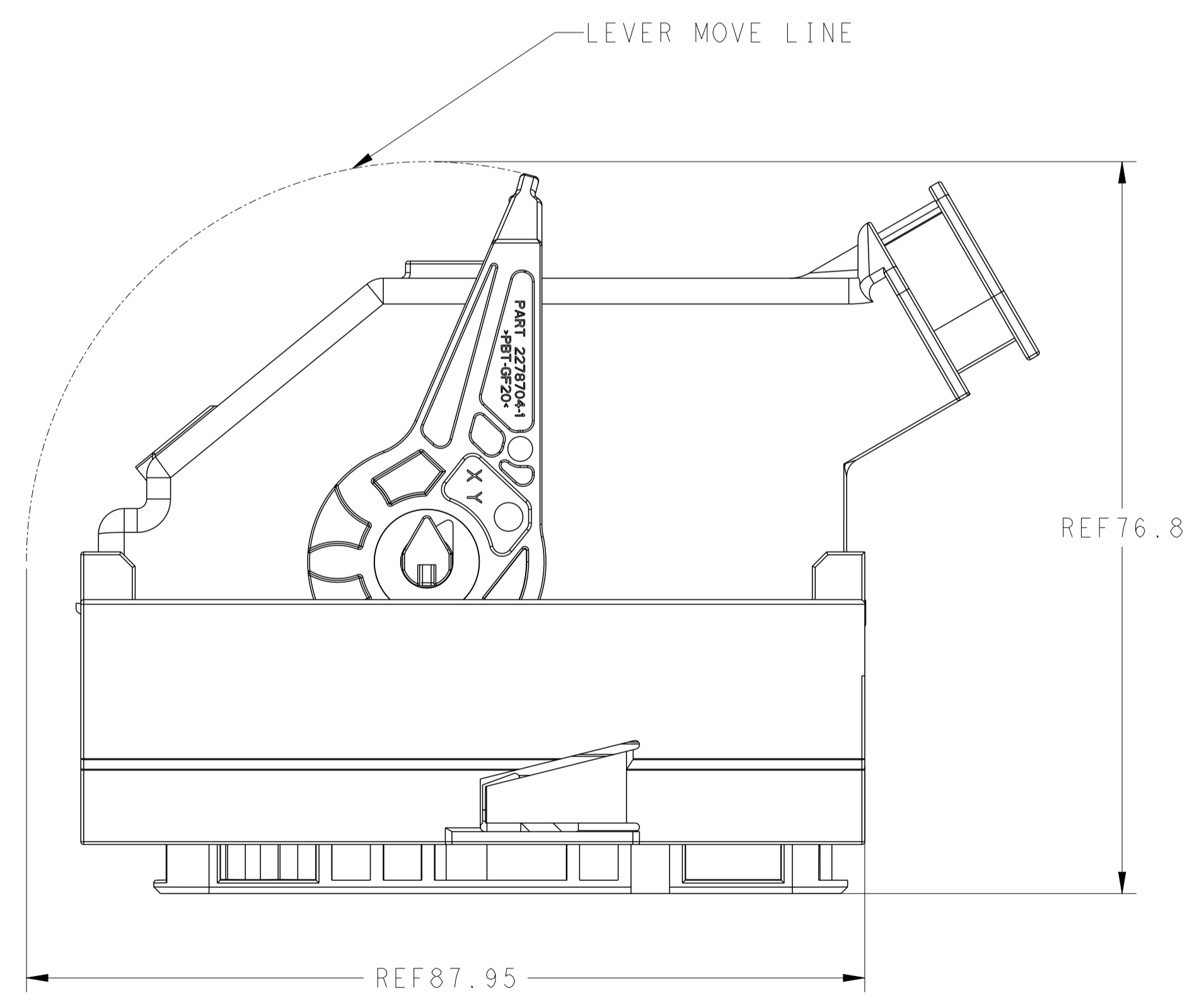
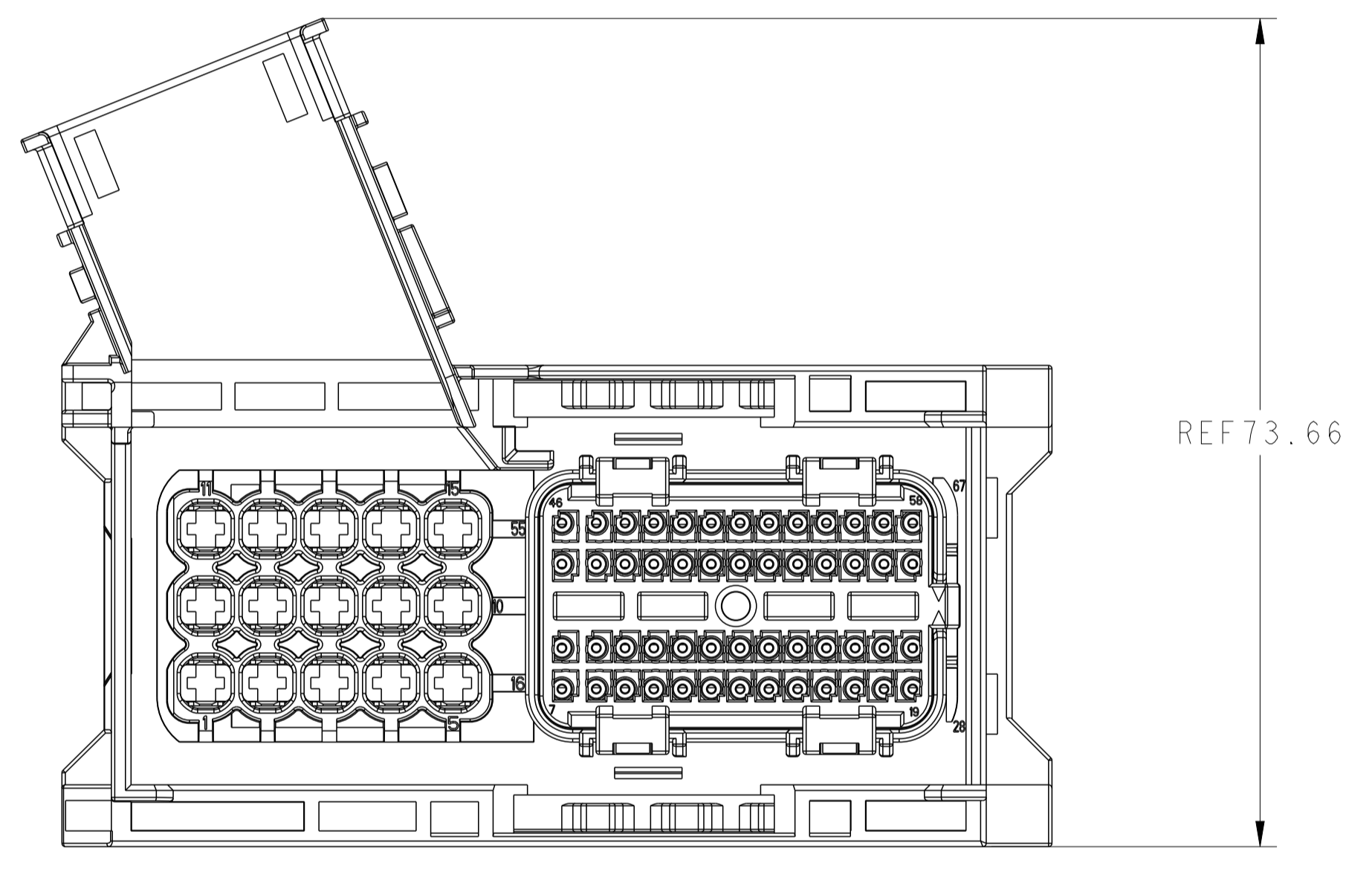
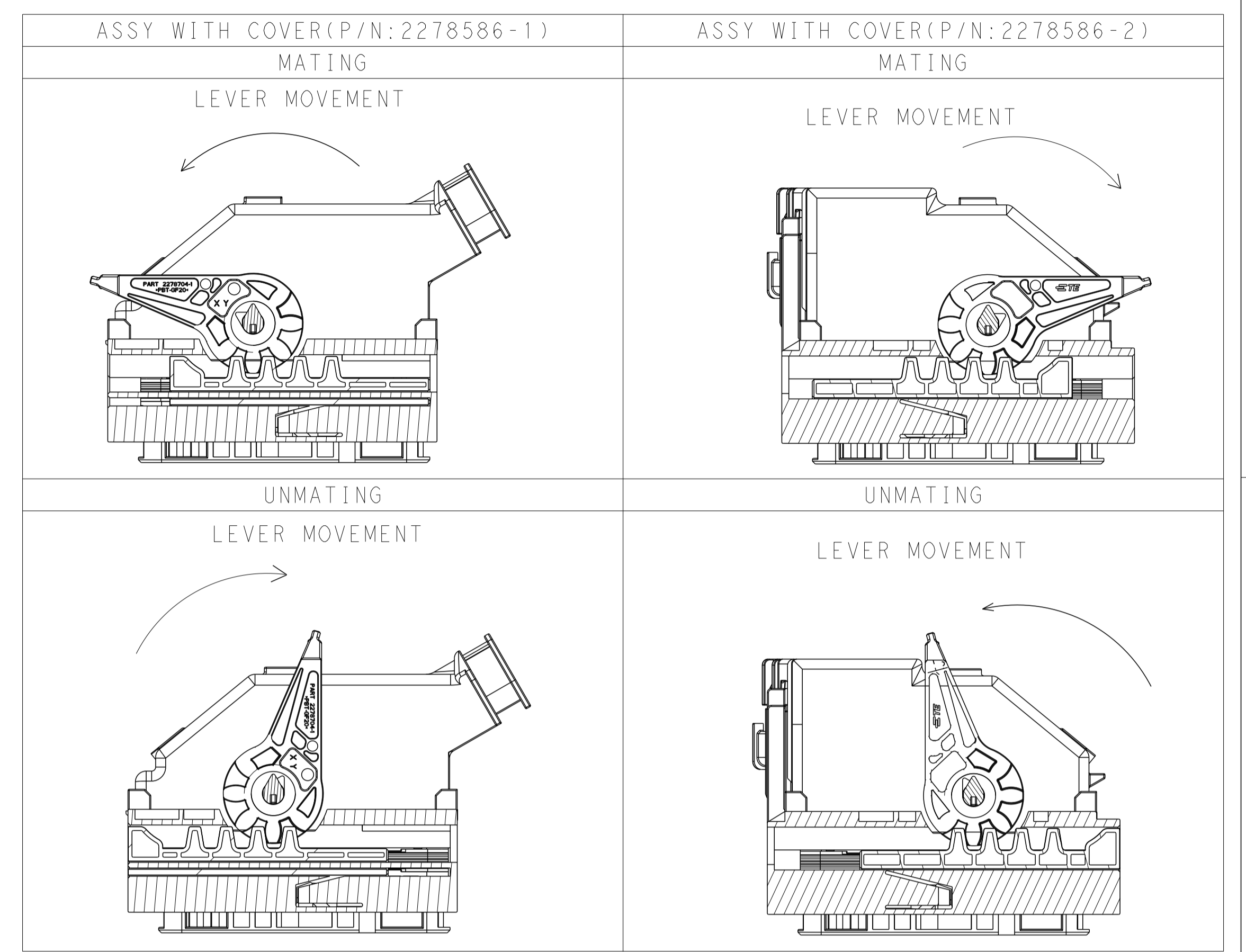
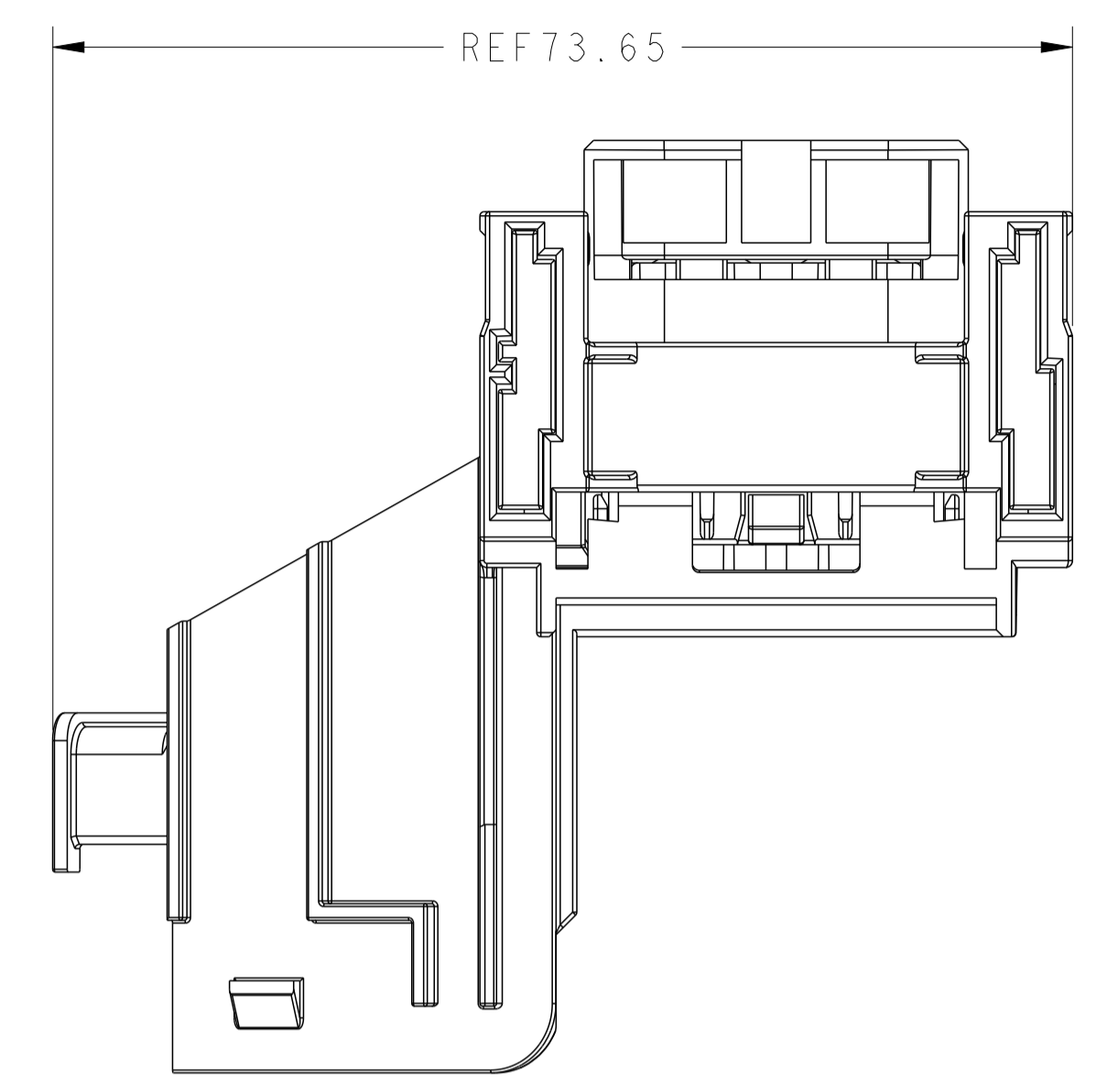
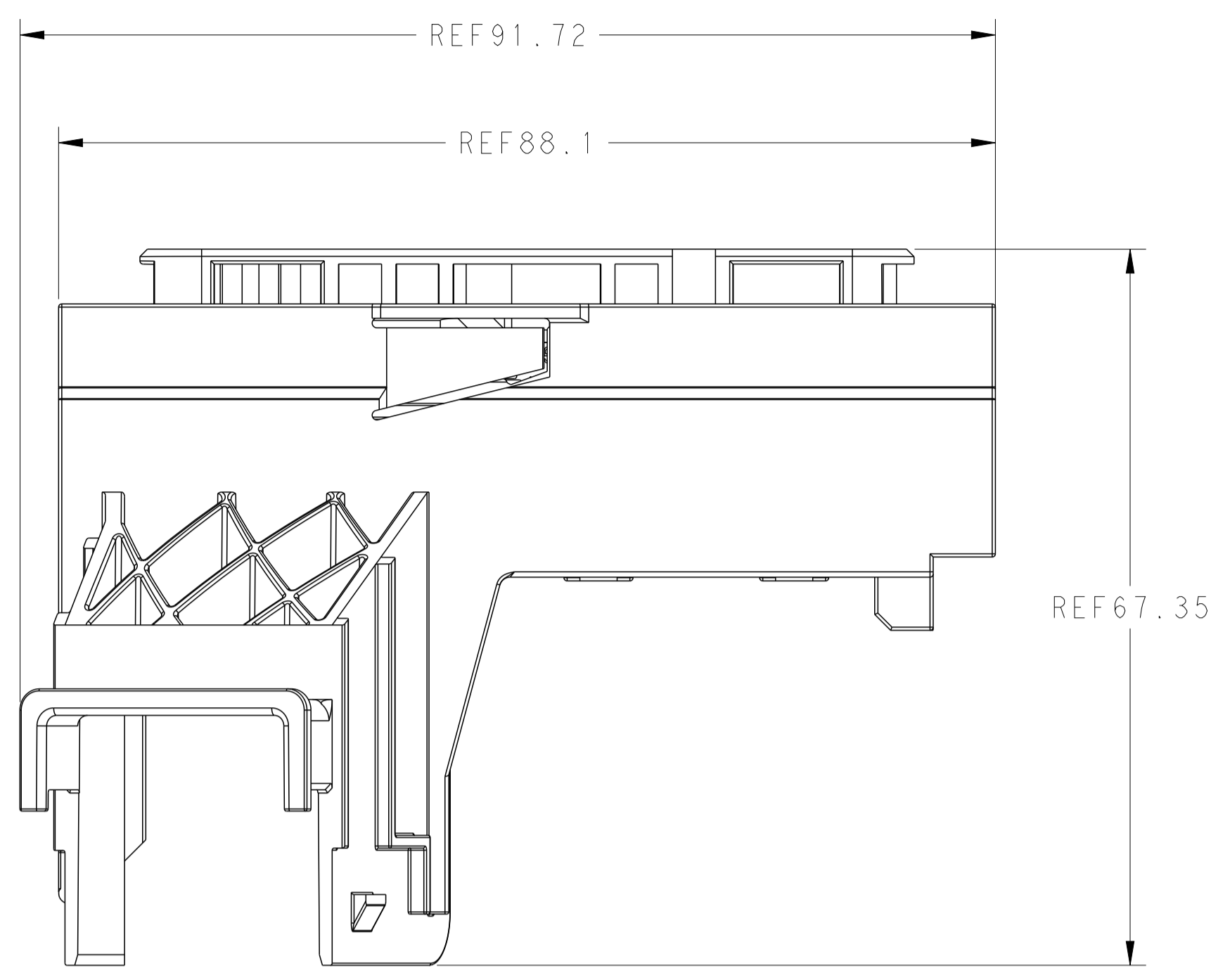
THIS DRAWING IS A CONTROLLED DOCUMENT.

TE Connectivity

67 POS, MIXED, REC HSG, ASSY, SEALED

SCALE 1:1 SHEET 1 OF 3 REV A5

| REVISIONS |     |             |             |       |
|-----------|-----|-------------|-------------|-------|
| P         | LTN | DESCRIPTION | DATE        | APP'D |
|           |     | SEE SHEET   | SEE SHEET 1 |       |



|  |  |                          |   |
|--|--|--------------------------|---|
| THIS DRAWING IS A CONTROLLED DOCUMENT. |  | OWN: D. DING 15AUG2015   | TE Connectivity<br>NAME: 67 POS, MIXED, REC HSG, ASSY, SEALED |
| DIMENSIONS: mm                         |  | CHK: G. ZHU 15AUG2015    |   |
| TOLERANCES UNLESS OTHERWISE SPECIFIED: |  | APP'D: SY WANG 15AUG2015 | SIZE: CAGE CODE: DRAWING NO: RESTRICTED TO                    |
| 0 PLC ±                                |  | PRODUCT SPEC             | A   00779   C=2278584   |
| 1 PLC ±                                |  | APPLICATION SPEC         | SCALE: 2:1 SHEET 2 OF 3 REV: A5                               |
| 2 PLC ±                                |  | 108-101374               |   |
| 3 PLC ±                                |  | 114-101036               |   |
| 4 PLC ±                                |  | WEIGHT                   |   |
| ANGLES                                 |  | CUSTOMER DRAWING         |   |
| FINISH                                 |  |                          |   |

