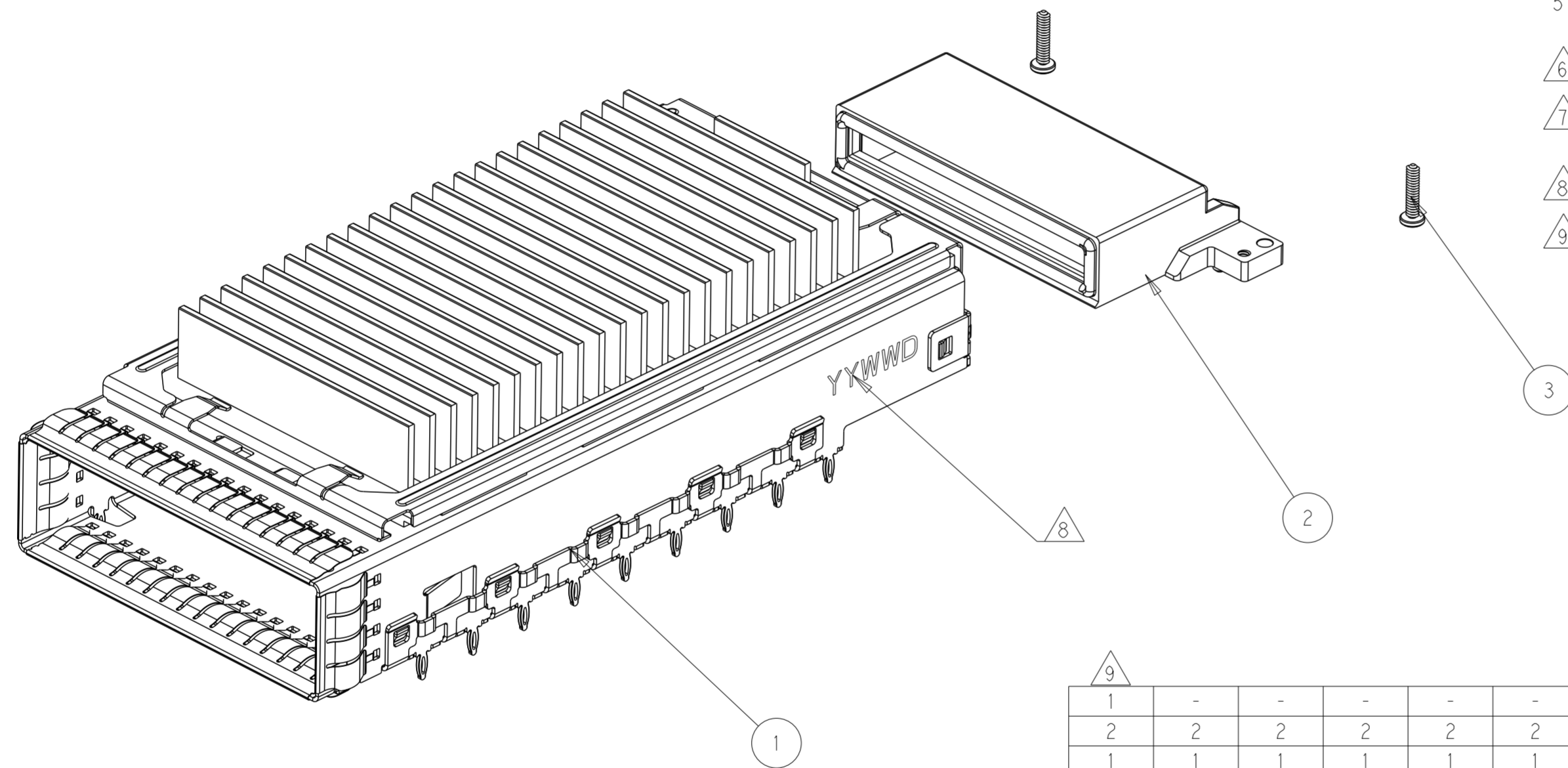


THIS DRAWING IS UNPUBLISHED. RELEASED FOR PUBLICATION 20  
 © COPYRIGHT 20 BY - ALL RIGHTS RESERVED.

REVISIONS					
P	LTR	DESCRIPTION	DATE	DWN	APVD
A		RELEASED FOR MASS PRODUCTION	23APR2019	TX	SH
A1		REVISED PER ECO-20-001509	20DEC2019	JY/IT	SH
A2		ADDED NEW DASH -7	22DEC2020	AJ	SZ
B2		REVISED PER ECN-22-152753	09MAY2022	ES	SZ

- 1 MATERIAL :CAGE :0.4MM THICK NICKEL SILVER ALLOY;  
EMI SPRING: COPPER ALLOY;  
HEAT SINK CLIP: STAINLESS STEEL;  
HEAT SINK:ALUMINUM ALLOY;  
RECEPTACLE COVER:ZINC ALLOY;
- 2 FINISH: EMI SPRING :1.27um NICKEL PALTING OVER ALL;  
HEAT SINK:BLACK ANODIZED COATING;  
RECEPTACLE COVER: 1.27um MIN NICKEL PLATING OVER COPPER PLATING;  
HEAT SINK CLIP:PASSIVATE;
- 3. MATES WITH CFP MSA COMPLIANT TRANSCEIVERS.
- 4 DATUM AND BASIC DIMENSION ESTABLISHED BY CUSTOMER.
- 5. MINIMUM PC BOARD THICKNESS: SIGLE SIDE APPLICATIONS 2.0MM MIN.  
BELLY TO BELLY APPLICATION:3.0MM MIN
- 6 PADS AND VIAS CHASSIS GROUND;
- 7 REFERENCE APPLICATION SOEC 114-32146 FOR  
RECOMMENDED DRILL HOLE DIAMETER AND PLATING THICKNESS.
- 8 DATE CODE LOCATED AT APPROXIMATE AREA AS SHOWN.
- 9 PACKAGED AS A KIT

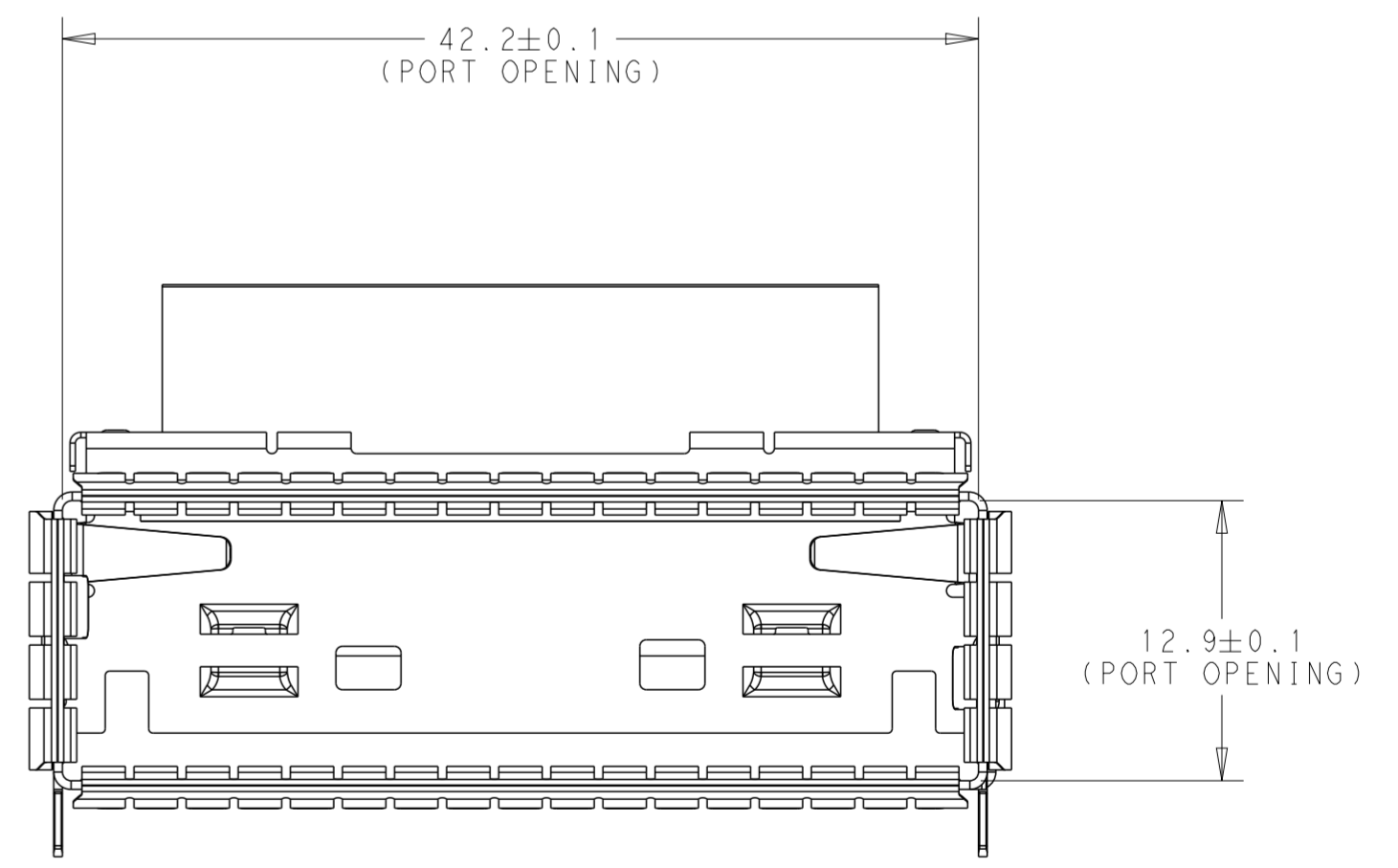
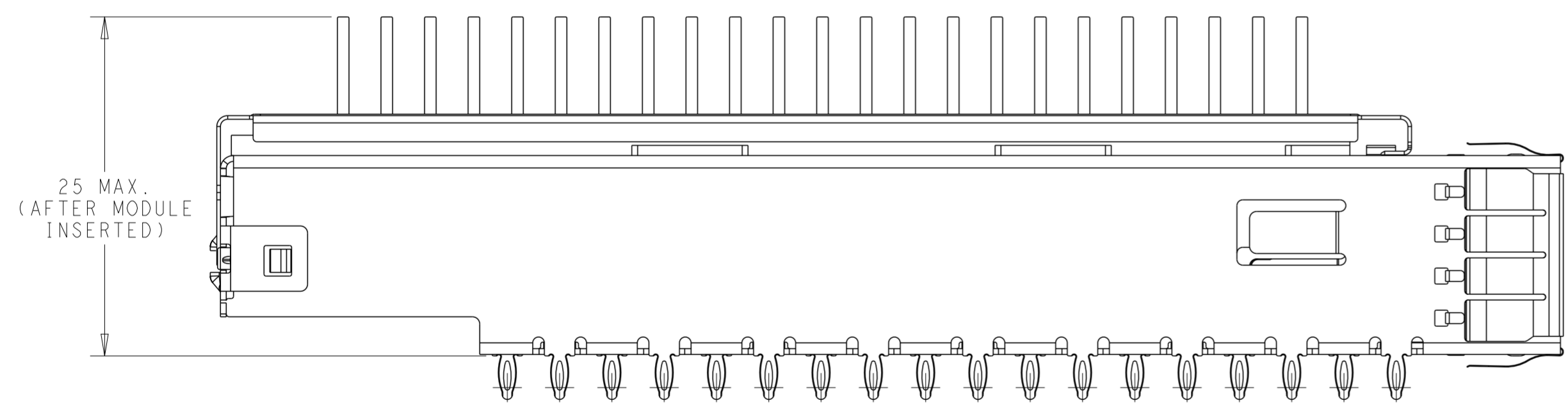
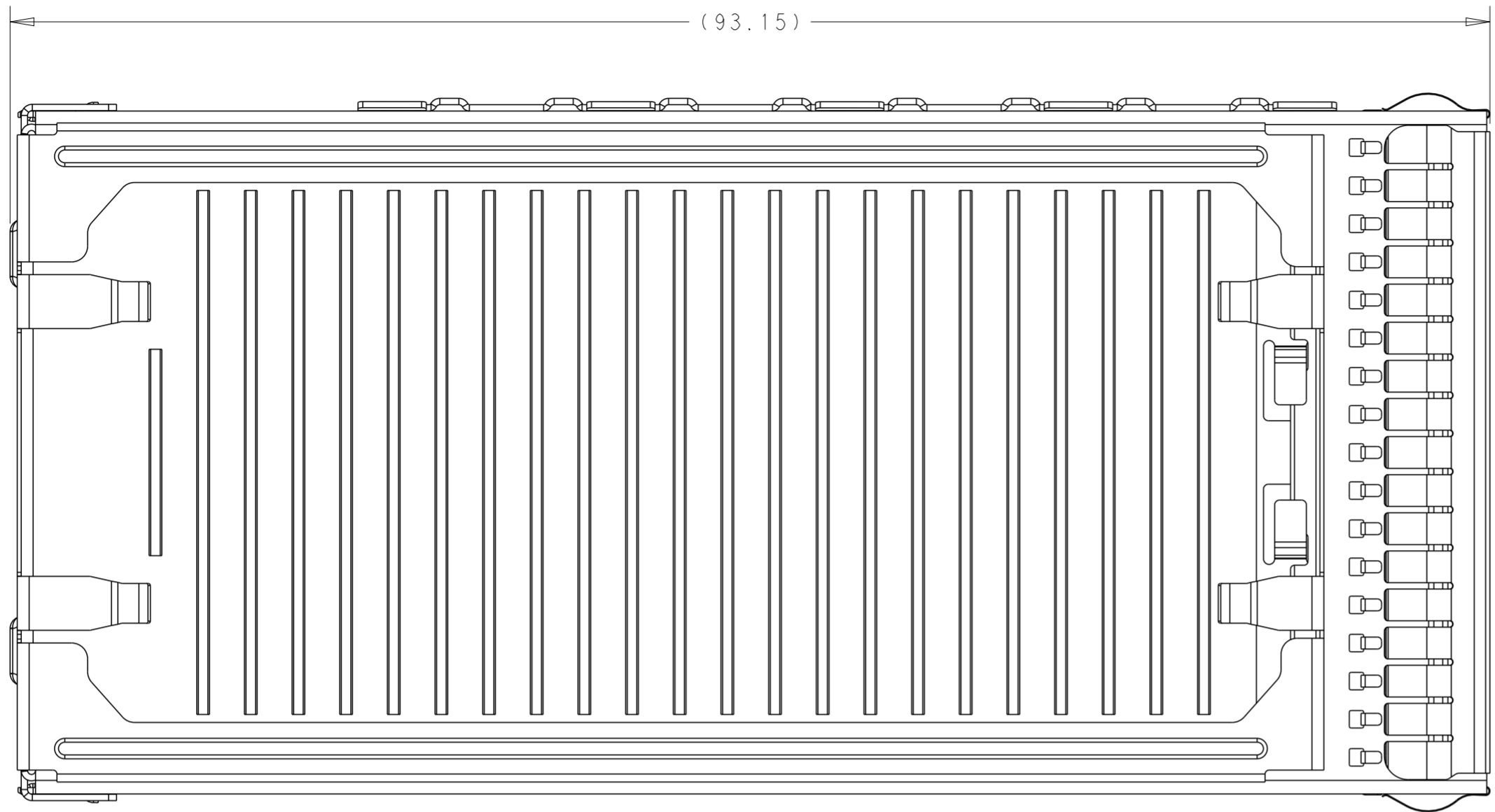


9										DESCRIPTION	ITEM	
1	-	-	-	-	-	-	-	-	-	2288220-1	HEAT SINK CLIP	4
2	2	2	2	2	2	2	2	2	2	2292789-1	SCREW	3
1	1	1	1	1	1	1	1	1	1	2274846-1	RECEPTACLE COVER ASSEMBLY	2
1	-	-	-	-	-	-	-	-	-	2274843-3	CAGE ASSEMBLY WITH MYLAR TAPE,CFP2 1X1	1
-	1	-	-	-	-	-	-	-	-	1-2293277-1	CAGE ASSEMBLY WITH H/S,CFP2 1X1	
-	-	1	-	-	-	-	-	-	-	1-2293277-0	CAGE ASSEMBLY WITH H/S,CFP2 1X1	
-	-	-	1	-	-	-	-	-	-	2293277-9	CAGE ASSEMBLY WITH H/S,CFP2 1X1	
-	-	-	-	1	-	-	-	-	-	2293277-8	CAGE ASSEMBLY WITH H/S,CFP2 1X1	
-	-	-	-	-	1	-	-	-	-	2293277-7	CAGE ASSEMBLY WITH H/S,CFP2 1X1	
-	-	-	-	-	-	1	-	-	-	2293277-6	CAGE ASSEMBLY WITH H/S,CFP2 1X1	
-	-	-	-	-	-	-	1	-	-	2293277-2	CAGE ASSEMBLY WITH H/S,CFP2 1X1	
-	-	-	-	-	-	-	-	1	-	2293277-1	CAGE ASSEMBLY WITH H/S,CFP2 1X1	
1--1	-8	-7	-6	-5	-4	-3	-2	-1		PAR NUMBER	DESCRIPTION	


THIS DRAWING IS A CONTROLLED DOCUMENT.		DWN ANDY.XIE 17JUN2015	TE Connectivity	
DIMENSIONS: mm		CHK -		
TOLERANCES UNLESS OTHERWISE SPECIFIED:		APVD SEAN.HAN 17JUN2015	NAME HARD WARE KIT FOR CFP2 1X1 PRESS FIT (CAGE,HS,HS CLIP,COVER,SCREW)	
0 PLC ± 1 PLC ±0.25 2 PLC ±0.20 3 PLC ±0.1 4 PLC ±0.05		PRODUCT SPEC 108-32103	SIZE A2	
ANGLES ±1		APPLICATION SPEC 114-32146	CAGE CODE -	
FINISH SEE NOTES		WEIGHT -	DRAWING NO C-2274842	
MATERIAL SEE NOTES		CUSTOMER DRAWING	RESTRICTED TO -	
		SCALE 1:1	SHEET 1 OF 13	
				REV B2

THIS DRAWING IS UNPUBLISHED. RELEASED FOR PUBLICATION 20  
 © COPYRIGHT 20 BY - ALL RIGHTS RESERVED.

REVISIONS				
P	LTR	DESCRIPTION	DATE	APVD
-	-	SEE SHEET 1	-	-

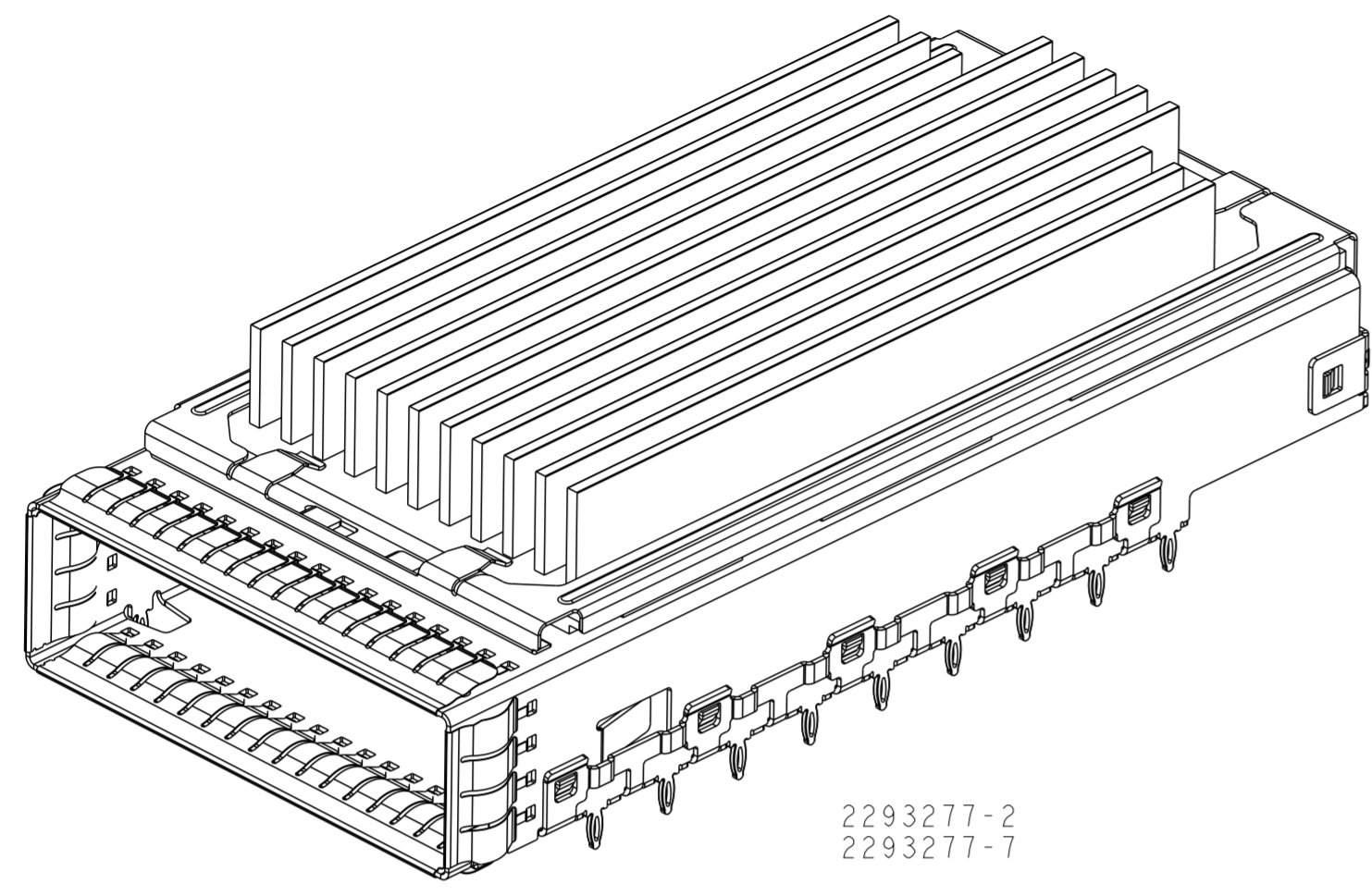


2293277-1 AS SHOWN

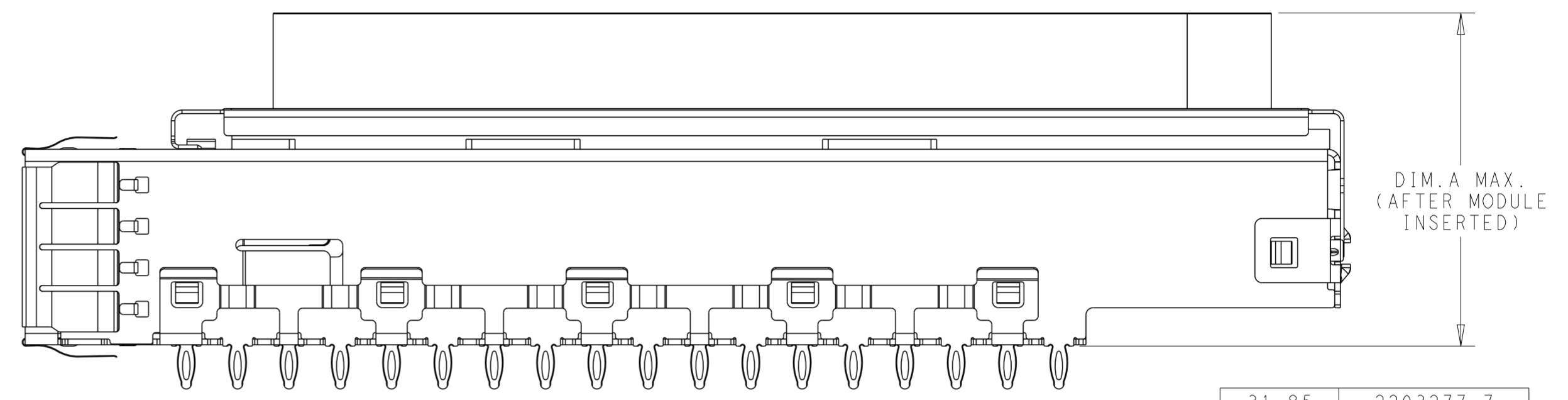
THIS DRAWING IS A CONTROLLED DOCUMENT.		DWN ANDY.XIE 17JUN2015	 TE Connectivity		
DIMENSIONS: mm		CHK -			
TOLERANCES UNLESS OTHERWISE SPECIFIED: 0 PLC ± 1 PLC ±0.25 2 PLC ±0.20 3 PLC ±0.1 4 PLC ±0.05 ANGLES ±1 FINISH		APVD SEAN.HAN 17JUN2015	NAME HARD WARE KIT FOR CFP2 1X1 PRESS FIT (CAGE, HS, HS CLIP, COVER, SCREW)		
MATERIAL SEE NOTES		PRODUCT SPEC 108-32103	SIZE A2	CAGE CODE -	DRAWING NO. C-2274842
FINISH SEE NOTES		APPLICATION SPEC 114-32146	RESTRICTED TO -	SCALE 1:1	SHEET 2 OF 13
-		WEIGHT -	CUSTOMER DRAWING	REV B2	

THIS DRAWING IS UNPUBLISHED. RELEASED FOR PUBLICATION 20  
 © COPYRIGHT 20 BY - ALL RIGHTS RESERVED.

REVISIONS				
P	LTR	DESCRIPTION	DATE	APVD
-	-	SEE SHEET 1	-	-



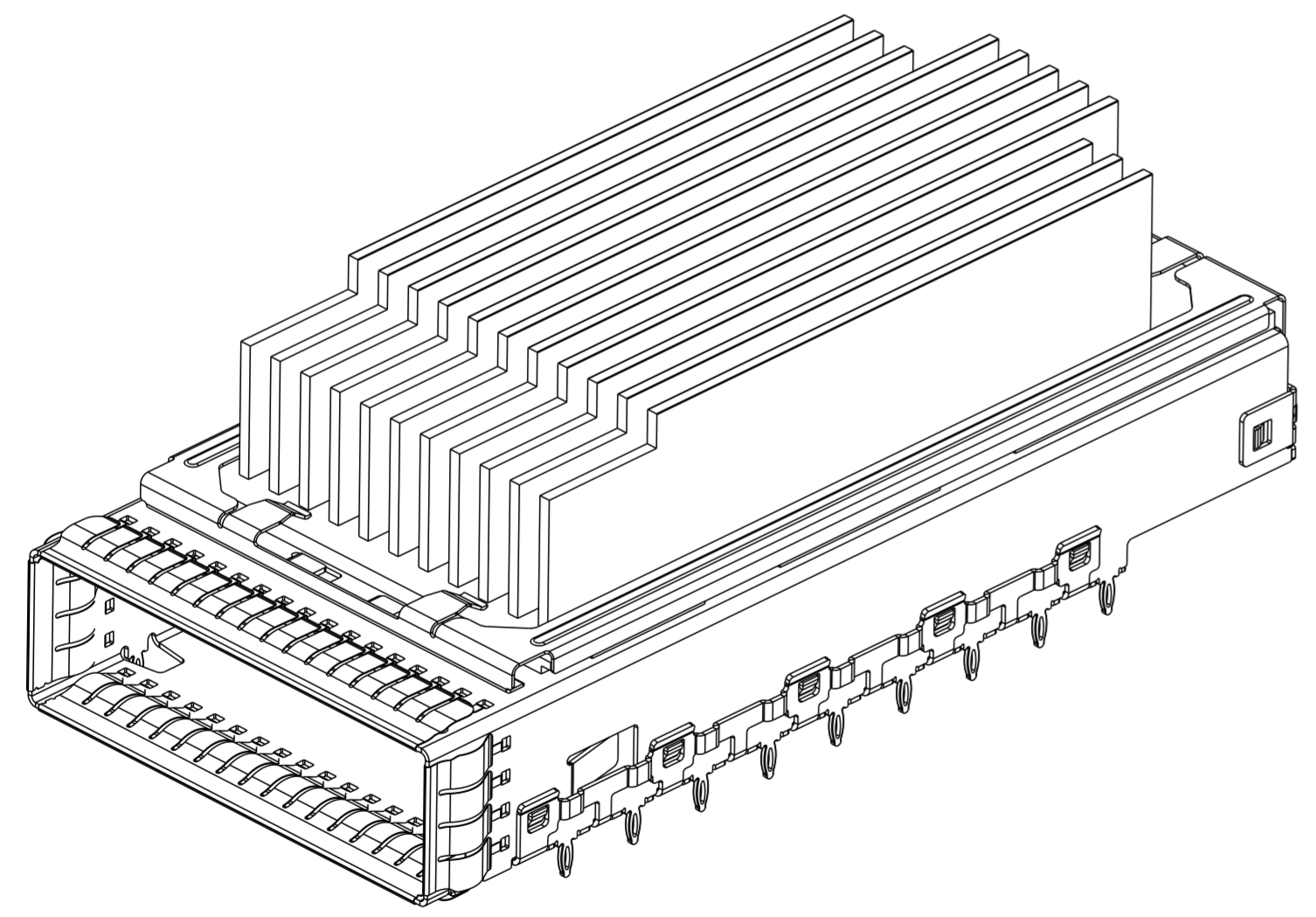
2293277-2  
2293277-7



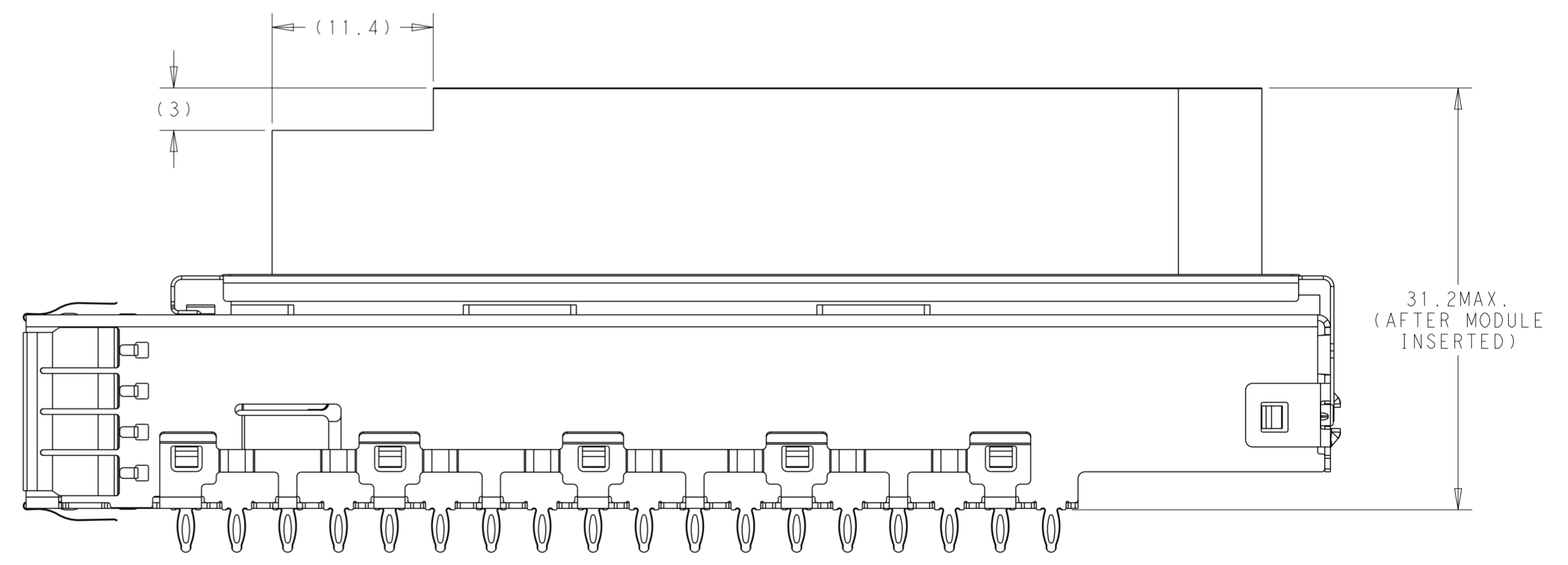
DIM. A MAX.  
(AFTER MODULE  
INSERTED)

2293277-2&2293277-7/1-2293277-0  
OTHER DIMENSIONS  
SAME AS 2293277-1  
SCALE 3:1

31.85	2293277-7
25	2293277-2
27	1-2293277-0
DIM. A	PART NUMBER



2293277-6



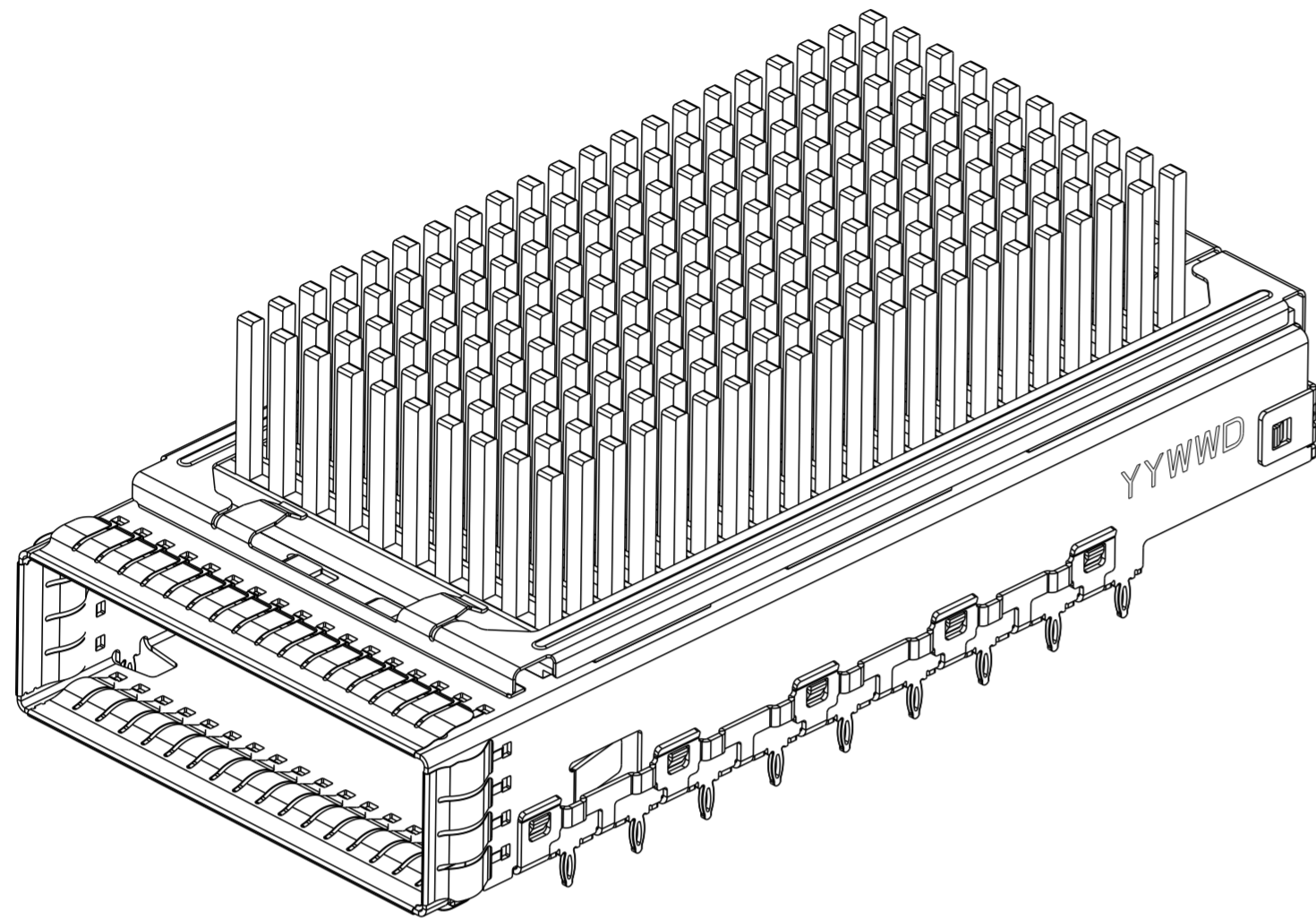
31.2MAX.  
(AFTER MODULE  
INSERTED)

2293277-6 AS SHOWN, UNSPECIFIED  
DIMENSION SAME AS 2293277-1

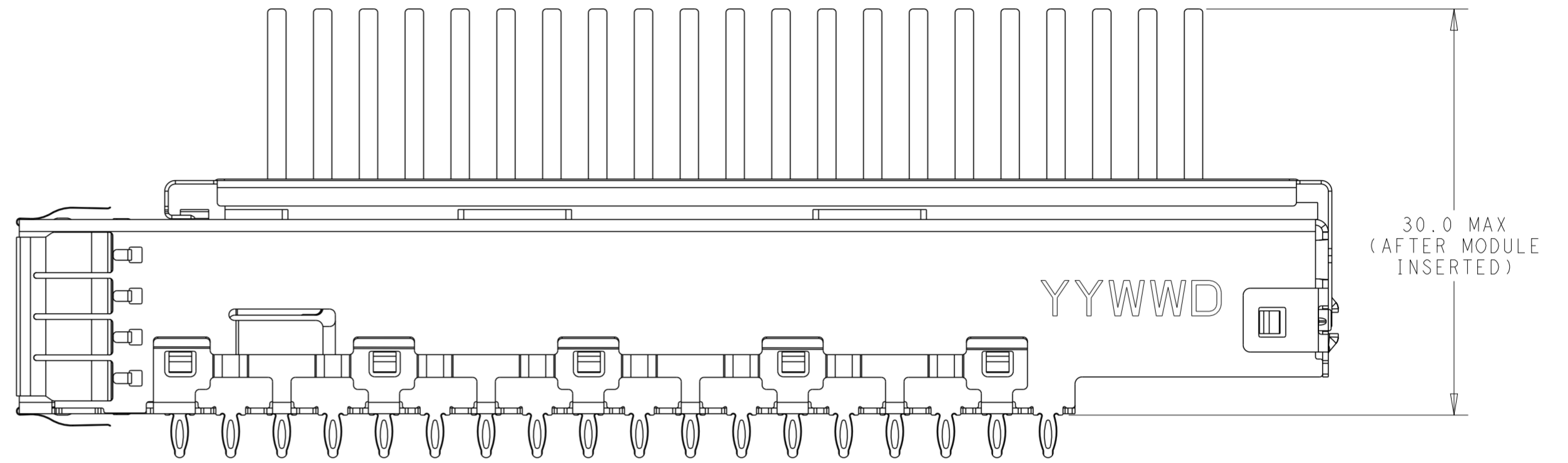
THIS DRAWING IS A CONTROLLED DOCUMENT.		DWN ANDY.XIE 17JUN2015	TE Connectivity		
DIMENSIONS: mm		CHK -			
TOLERANCES UNLESS OTHERWISE SPECIFIED: 0 PLC ± 1 PLC ±0.25 2 PLC ±0.20 3 PLC ±0.1 4 PLC ±0.05 ANGLES ±1 FINISH		APVD SEAN.HAN 17JUN2015	NAME HARD WARE KIT FOR CFP2 1X1 PRESS FIT (CAGE, HS, HS CLIP, COVER, SCREW)		
MATERIAL SEE NOTES		PRODUCT SPEC 108-32103	SIZE A2	CAGE CODE -	DRAWING NO. C-2274842
FINISH -		APPLICATION SPEC 114-32146	RESTRICTED TO -	SCALE 1:1	SHEET 3 OF 13
-		WEIGHT -	CUSTOMER DRAWING	REV B2	

THIS DRAWING IS UNPUBLISHED. RELEASED FOR PUBLICATION 20  
 © COPYRIGHT 20 BY - ALL RIGHTS RESERVED.


REVISIONS				
P	LTR	DESCRIPTION	DATE	APVD
-	-	SEE SHEET 1	-	-



2293277-8 AS SHOWN

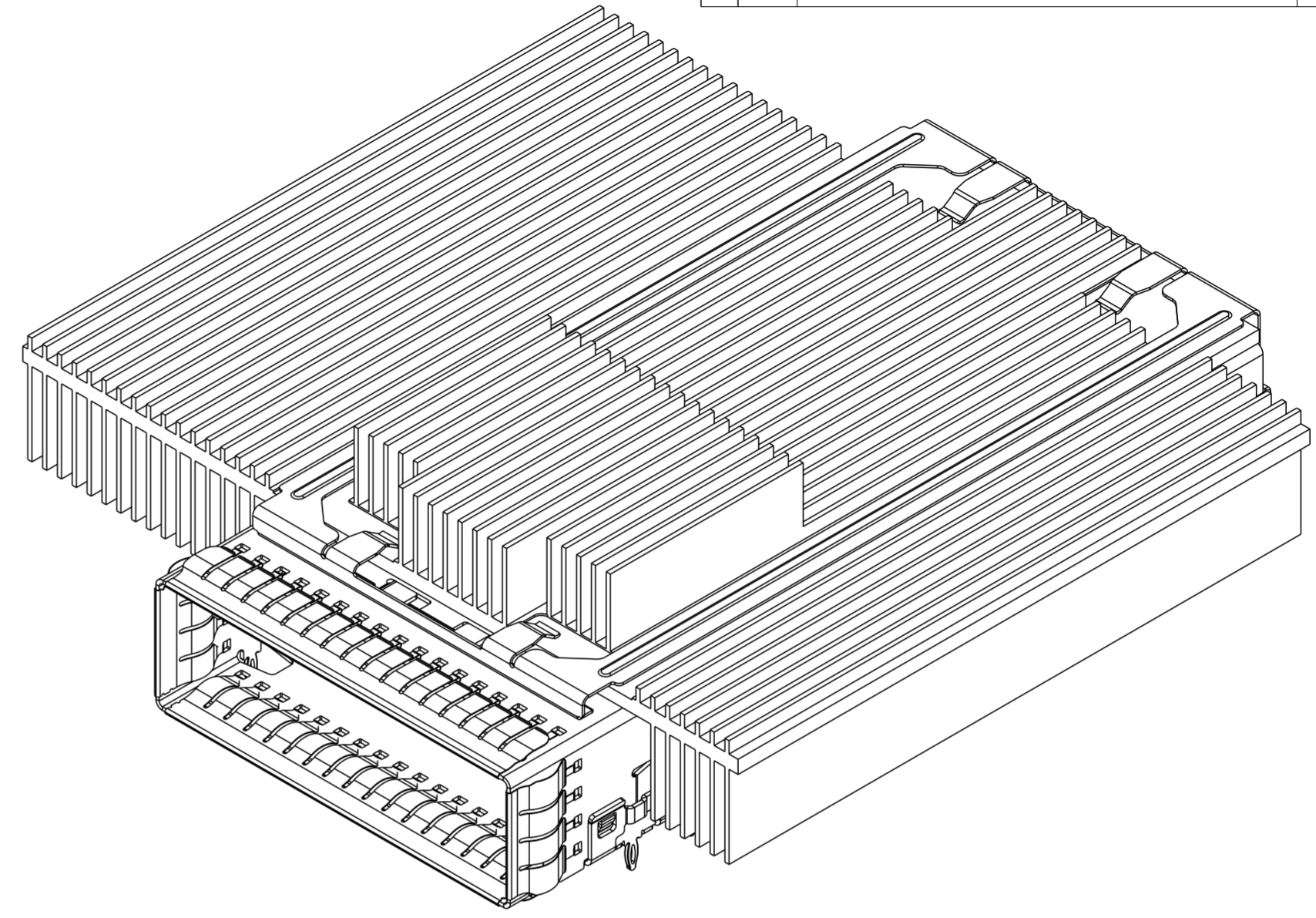
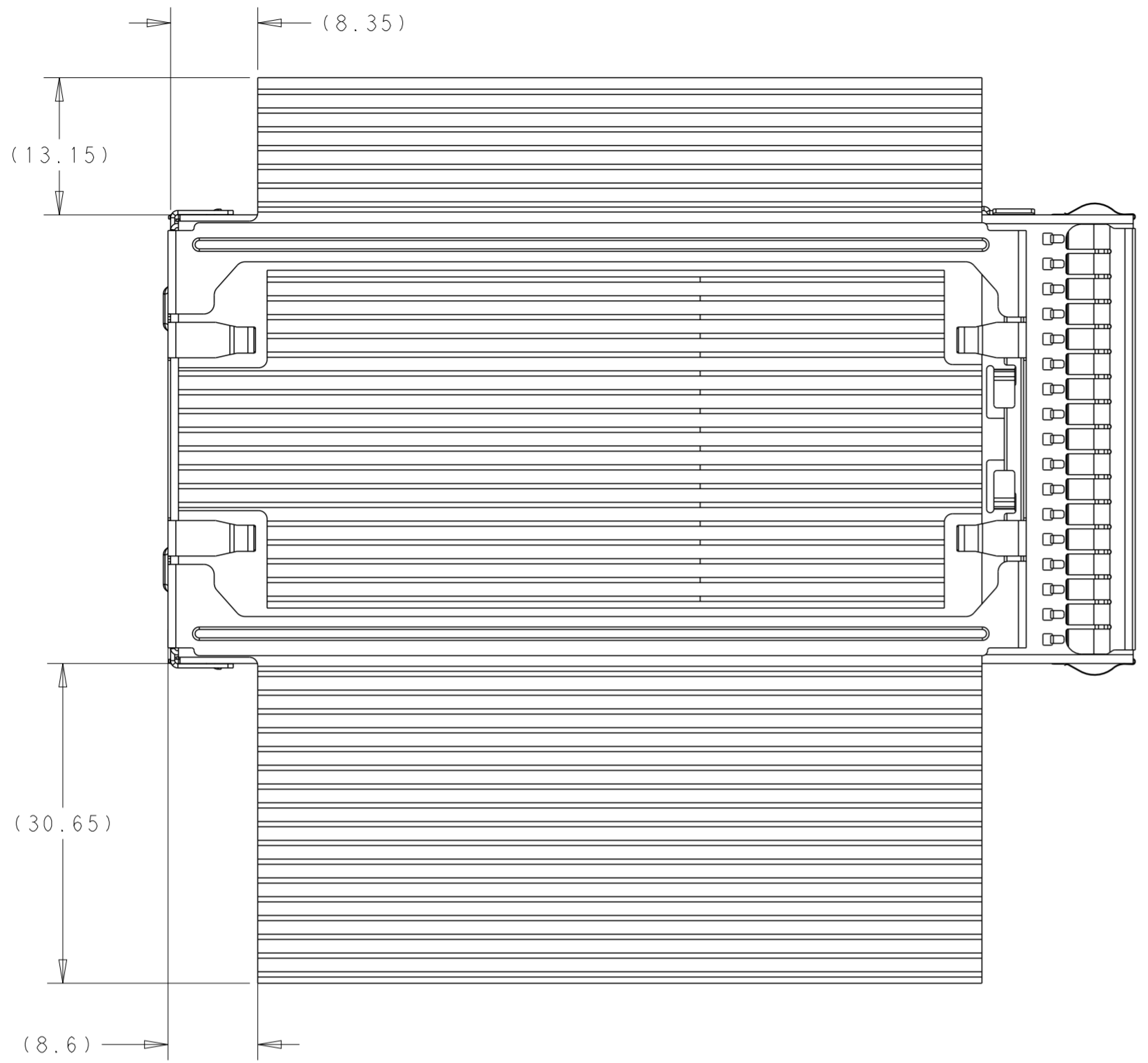


SCALE 3:1

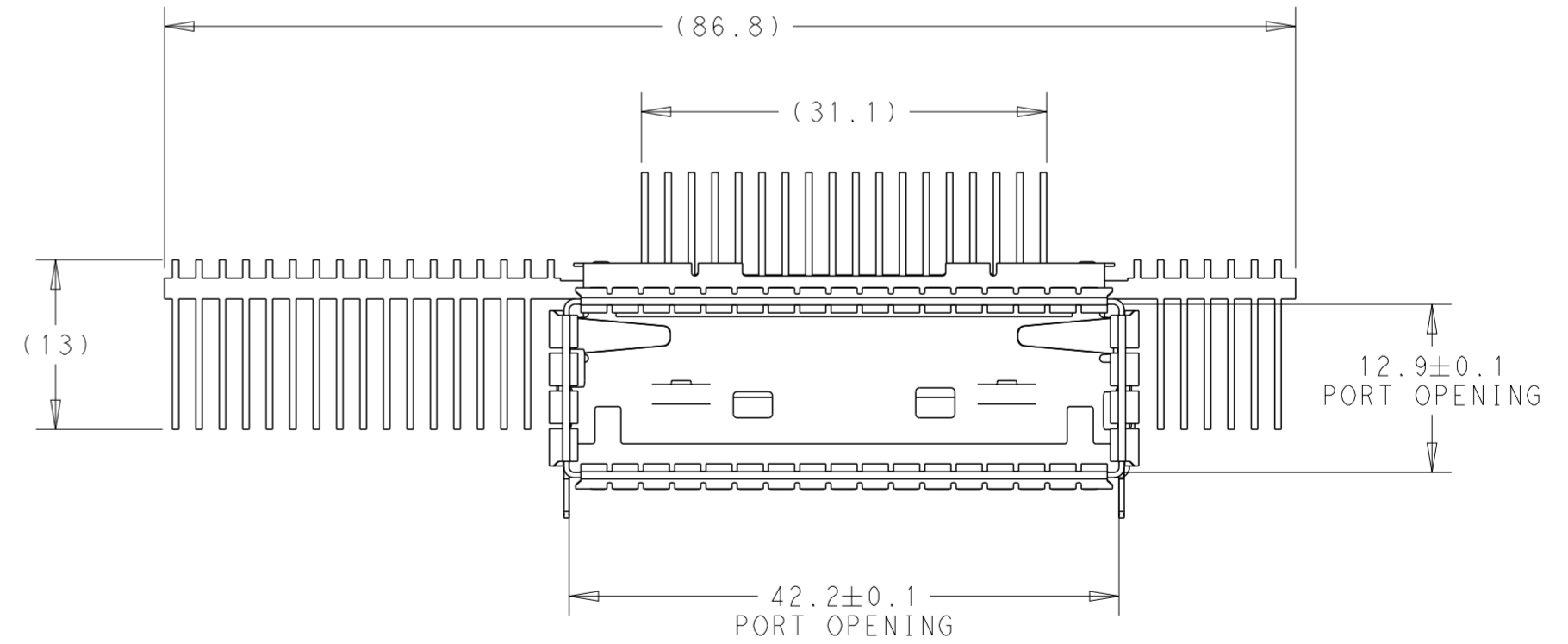
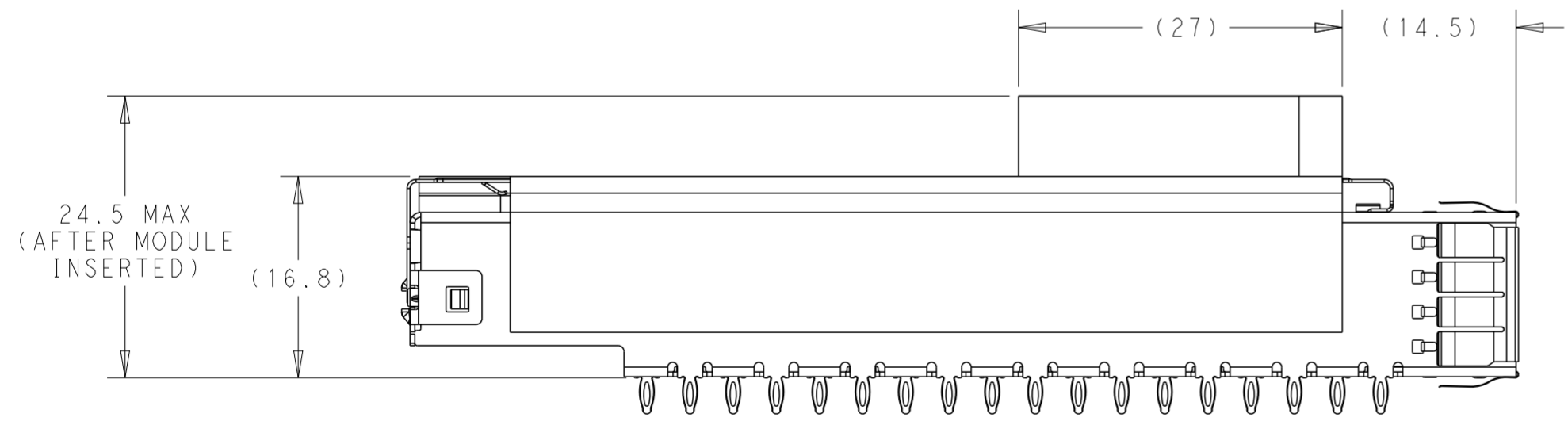
THIS DRAWING IS A CONTROLLED DOCUMENT.		DWN ANDY.XIE 17JUN2015	 TE Connectivity	
DIMENSIONS: mm		CHK -		
TOLERANCES UNLESS OTHERWISE SPECIFIED:		APVD SEAN.HAN 17JUN2015	NAME HARD WARE KIT FOR CFP2 1X1 PRESS FIT (CAGE, HS, HS CLIP, COVER, SCREW)	
0 PLC ±		PRODUCT SPEC 108-32103	SIZE A2	CAGE CODE -
1 PLC ±0.25		APPLICATION SPEC 114-32146	DRAWING NO C-2274842	RESTRICTED TO -
2 PLC ±0.20		WEIGHT -	SCALE 1:1	SHEET 4 OF 13
3 PLC ±0.1		CUSTOMER DRAWING	REV B2	
4 PLC ±0.05				
ANGLES ±1				
FINISH				
MATERIAL SEE NOTES				
FINISH SEE NOTES				

THIS DRAWING IS UNPUBLISHED. RELEASED FOR PUBLICATION 20  
 © COPYRIGHT 20 BY - ALL RIGHTS RESERVED.


REVISIONS					
P	LTR	DESCRIPTION	DATE	DWN	APVD
-	-	SEE SHEET 1	-	-	-



2293277-9 3D VIEW  
 SCALE 2:1

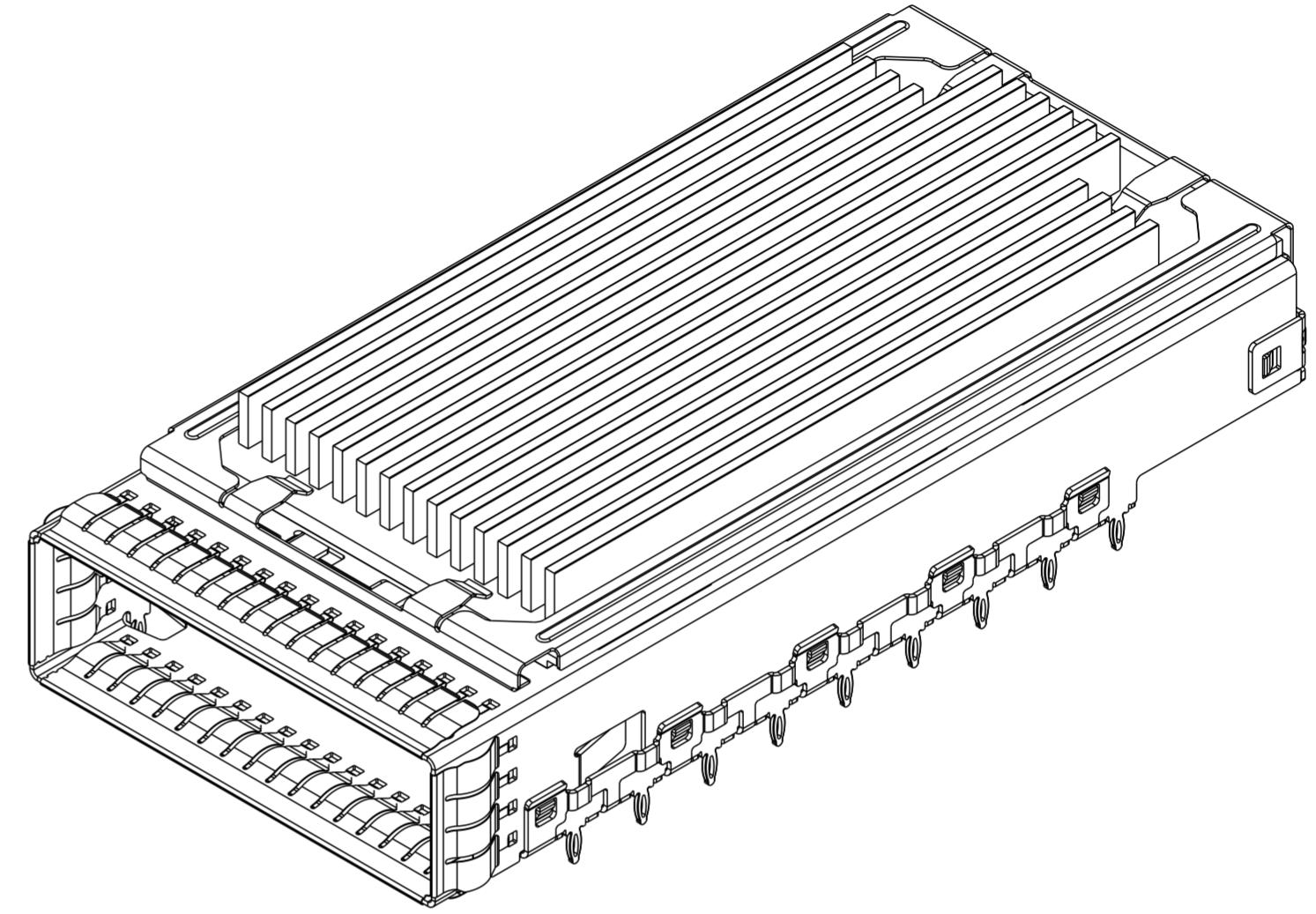
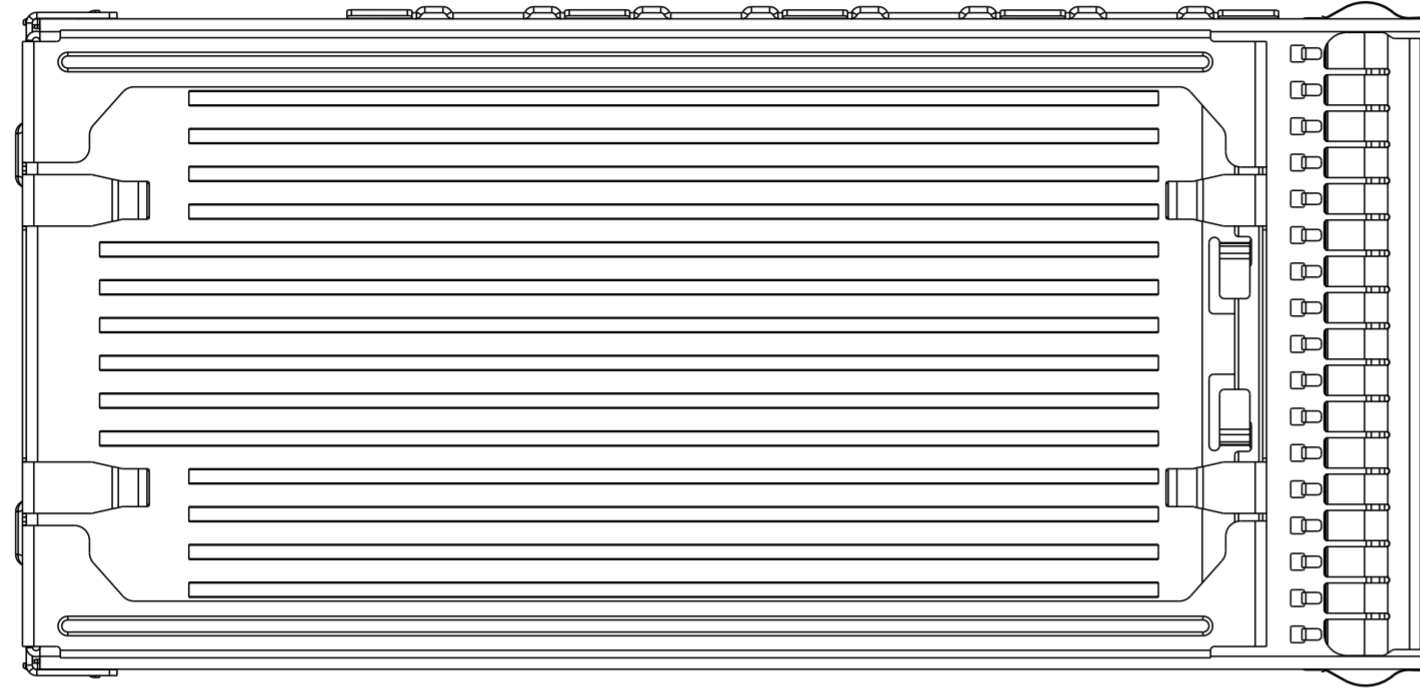


2293277-9 AS SHOWN

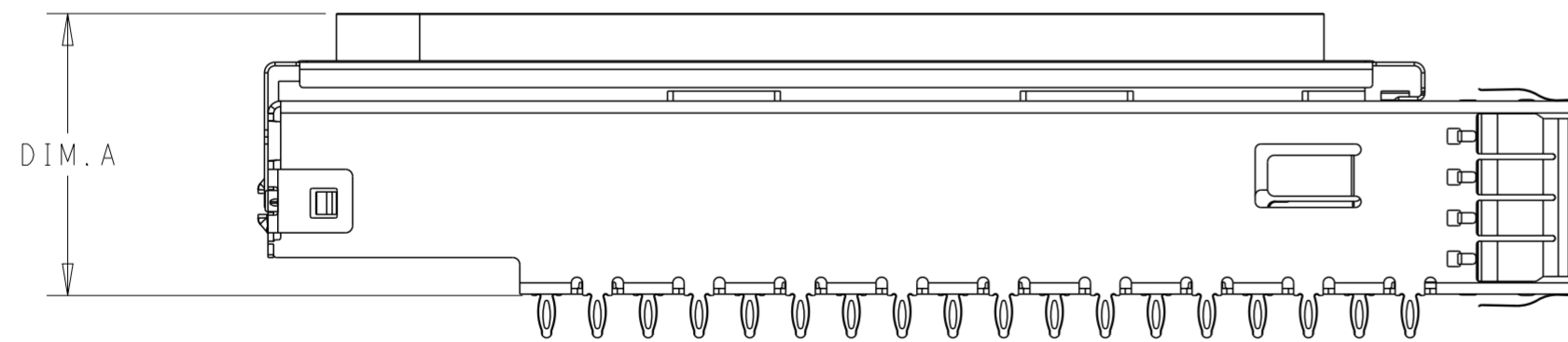
THIS DRAWING IS A CONTROLLED DOCUMENT.		DWN ANDY.XIE 17JUN2015	 TE Connectivity	
DIMENSIONS: mm		CHK -		
TOLERANCES UNLESS OTHERWISE SPECIFIED:		APVD SEAN.HAN 17JUN2015	NAME HARD WARE KIT FOR CFP2 1X1 PRESS FIT (CAGE, HS, HS CLIP, COVER, SCREW)	
0 PLC ± 1 PLC ±0.25 2 PLC ±0.20 3 PLC ±0.1 4 PLC ±0.05		PRODUCT SPEC 108-32103	SIZE A2	CAGE CODE -
MATERIAL SEE NOTES		APPLICATION SPEC 114-32146	DRAWING NO C-2274842	RESTRICTED TO -
FINISH SEE NOTES		WEIGHT -	SCALE 1:1	SHEET 5 OF 13
		CUSTOMER DRAWING	REV B2	

THIS DRAWING IS UNPUBLISHED. RELEASED FOR PUBLICATION 20  
 © COPYRIGHT 20 BY - ALL RIGHTS RESERVED.

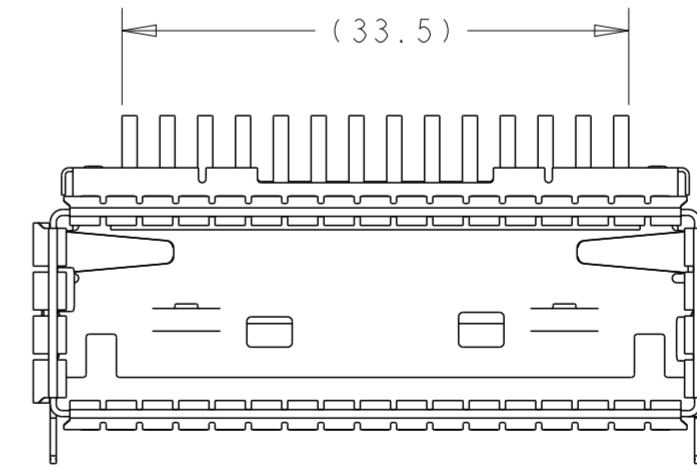
REVISIONS				
P	LTR	DESCRIPTION	DATE	APVD
-		SEE SHEET 1	-	-



1-2293277-1 3D VIEW  
SCALE 2:1



1-2293277-1 AS SHOWN

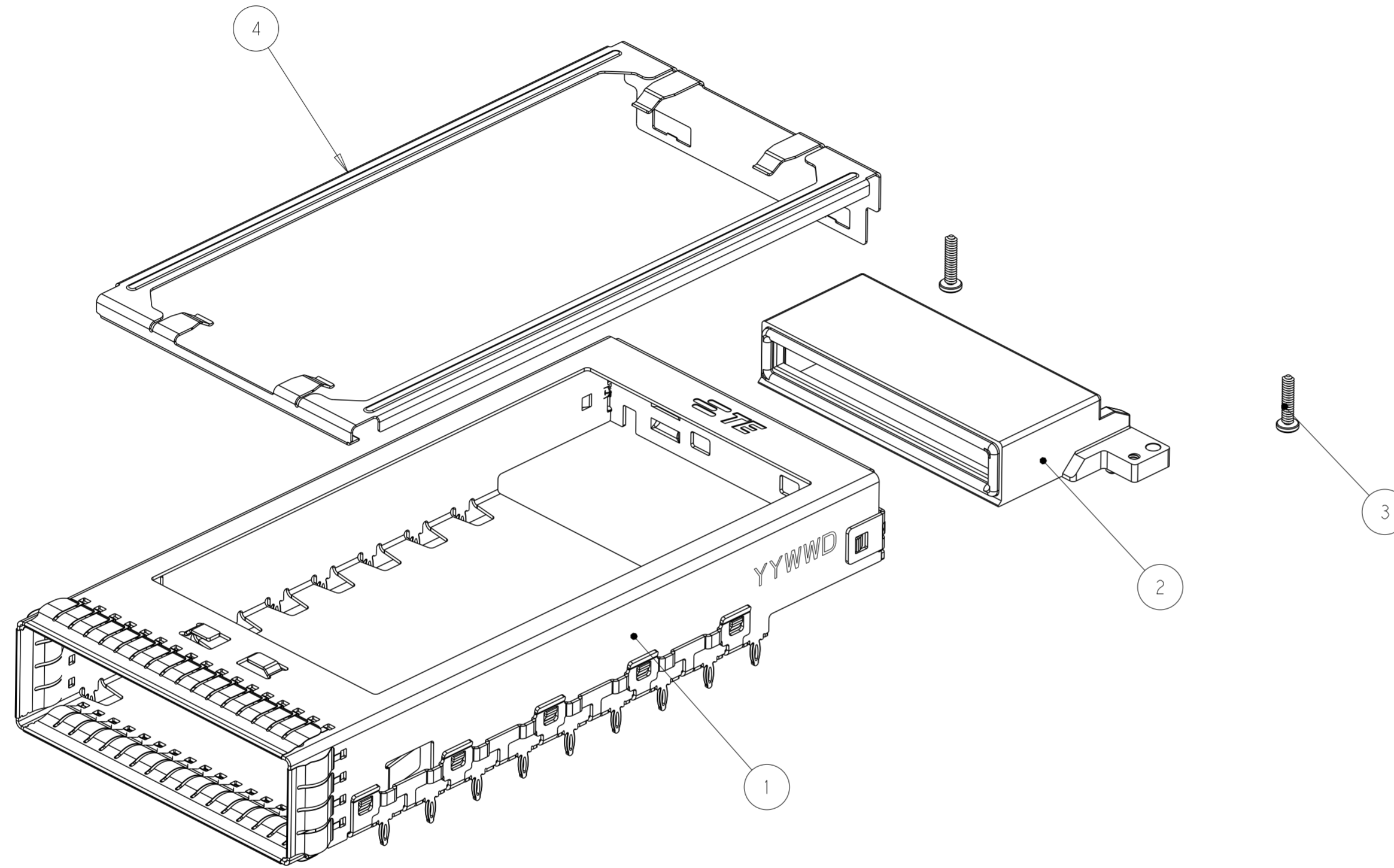


AFTER MODULE INSERTED	21.35 MAX.
BEFORE MODULE INSERTED	20.00±0.25
DESCRIPTION	DIM. A

THIS DRAWING IS A CONTROLLED DOCUMENT.		DWN ANDY.XIE 17JUN2015	TE Connectivity	
DIMENSIONS: mm		CHK -		
TOLERANCES UNLESS OTHERWISE SPECIFIED:		APVD SEAN.HAN 17JUN2015	NAME HARD WARE KIT FOR CFP2 1X1	
0 PLC ±		PRODUCT SPEC 108-32103	PRESS FIT	
1 PLC ±0.25		APPLICATION SPEC 114-32146	(CAGE, HS, HS CLIP, COVER, SCREW)	
2 PLC ±0.20		WEIGHT -	SIZE A2	CAGE CODE -
3 PLC ±0.1		CUSTOMER DRAWING	DRAWING NO C-2274842	RESTRICTED TO -
4 PLC ±0.05			SCALE 1:1	SHEET 6 OF 13
ANGLES ±1				REV B2
FINISH				
MATERIAL SEE NOTES				
SEE NOTES				

THIS DRAWING IS UNPUBLISHED. RELEASED FOR PUBLICATION 20  
 © COPYRIGHT 20 BY - ALL RIGHTS RESERVED.

REVISIONS				
P	LTR	DESCRIPTION	DATE	APVD
-	-	SEE SHEET 1	-	-



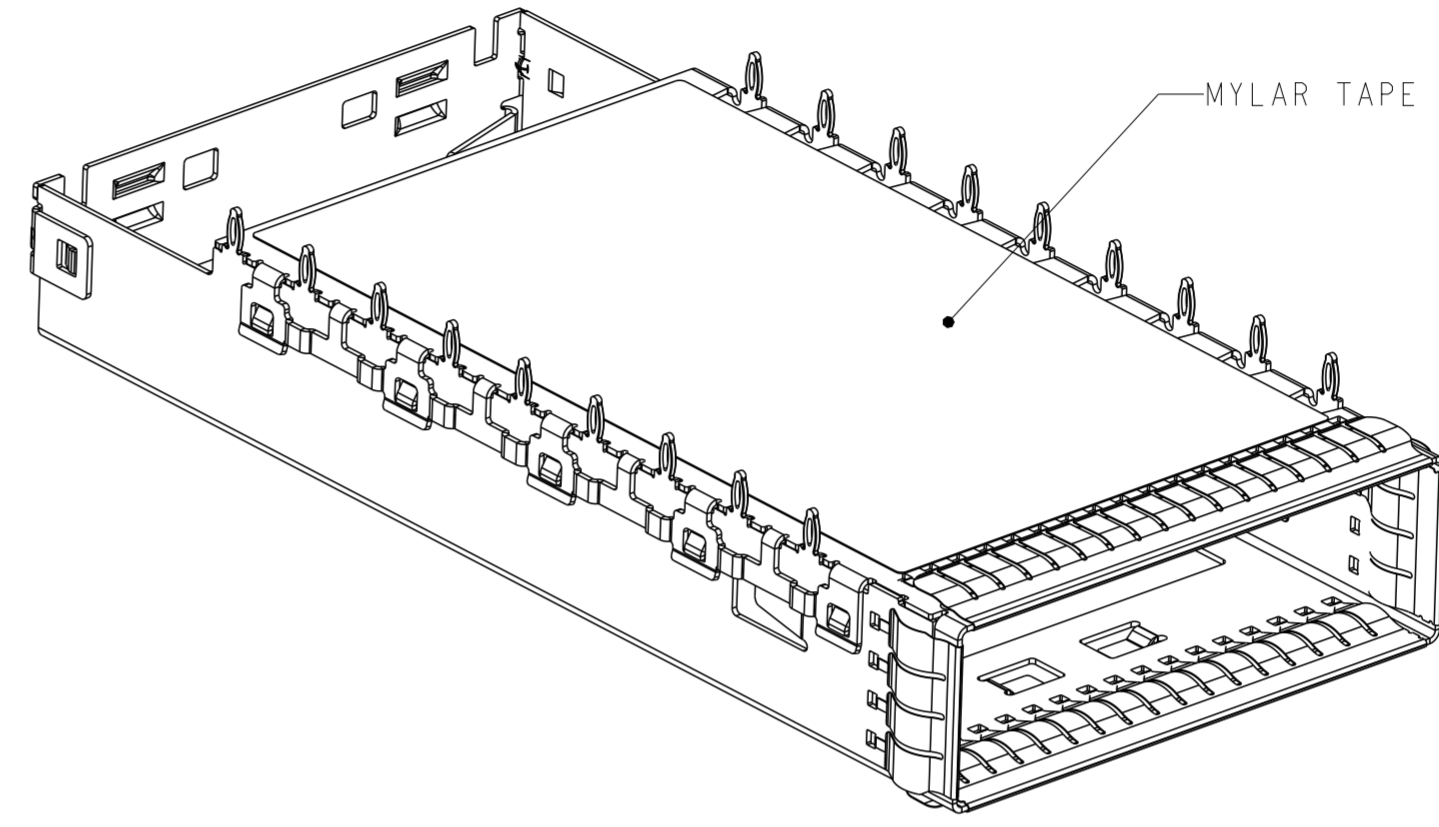
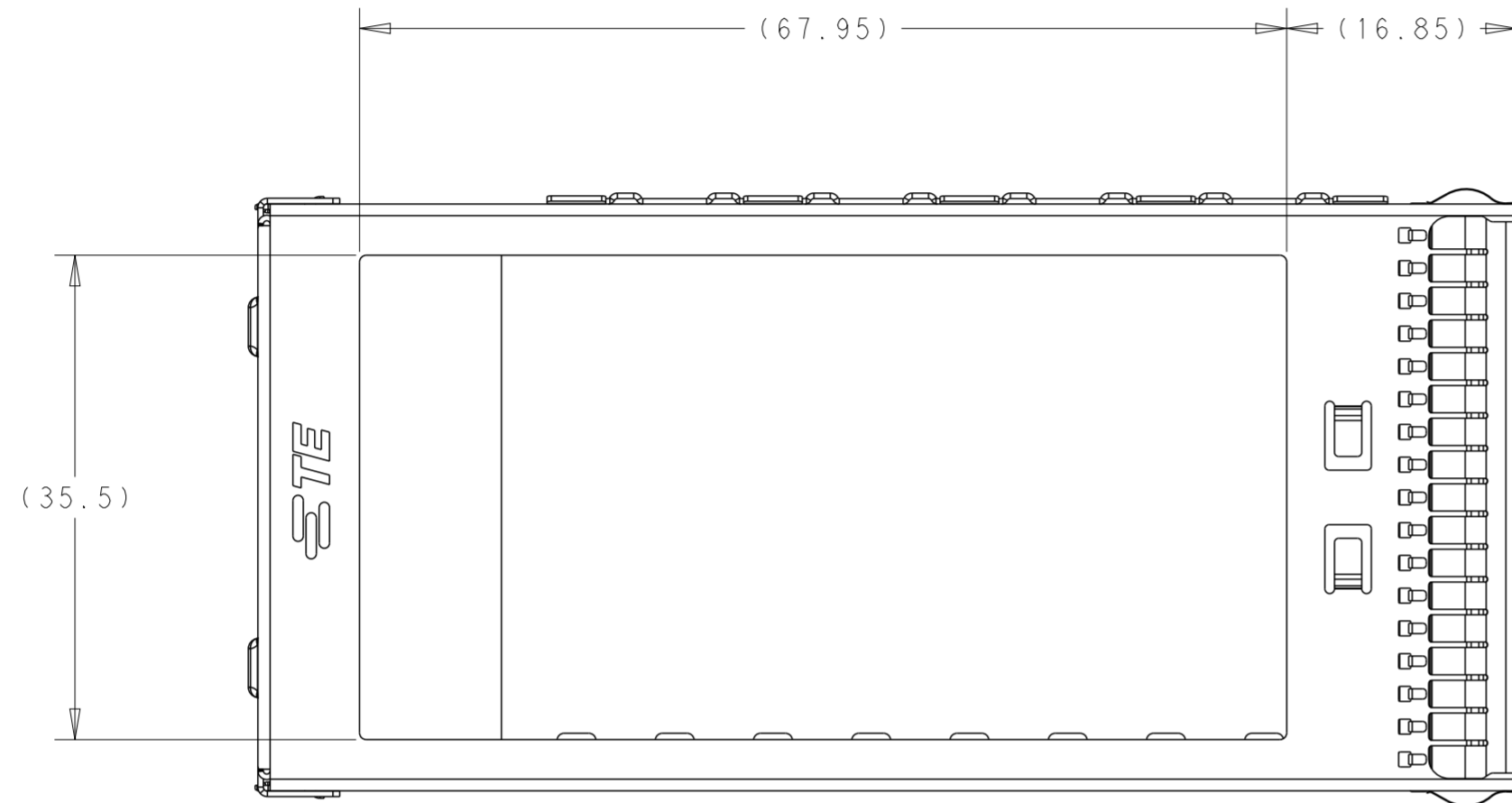
SCALE 2:1

1-2274842-1 AS SHOWN

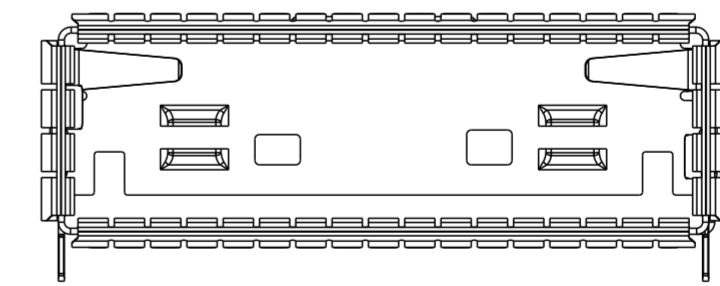
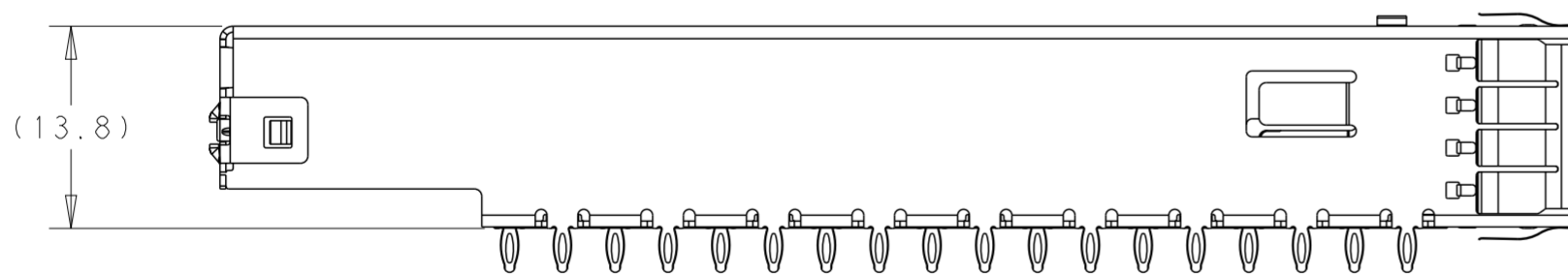
THIS DRAWING IS A CONTROLLED DOCUMENT.		DWN ANDY.XIE CHK -	17JUN2015	TE Connectivity	
DIMENSIONS: mm		APVD SEAN.HAN PRODUCT SPEC	17JUN2015		
		TOLERANCES UNLESS OTHERWISE SPECIFIED: 0 PLC ± 1 PLC ±0.25 2 PLC ±0.20 3 PLC ±0.1 4 PLC ±0.05 ANGLES ±1 FINISH		APPLICATION SPEC 114-32146	SIZE A2
MATERIAL SEE NOTES		WEIGHT -		CAGE CODE -	DRAWING NO C-2274842
CUSTOMER DRAWING		SCALE 1:1		SHEET 7 OF 13	REV B2

THIS DRAWING IS UNPUBLISHED. RELEASED FOR PUBLICATION 20  
 © COPYRIGHT 20 BY - ALL RIGHTS RESERVED.

REVISIONS				
P	LTR	DESCRIPTION	DATE	APVD
-		SEE SHEET 1	-	-



2274843-3 3D VIEW  
SCALE 2:1



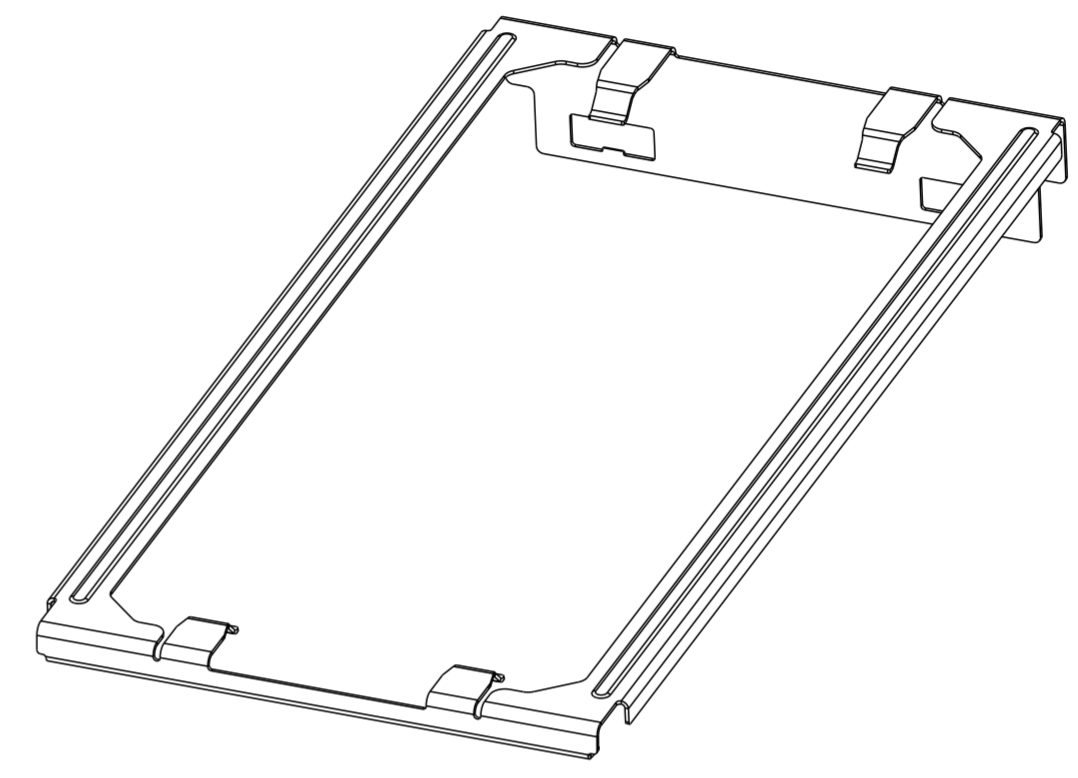
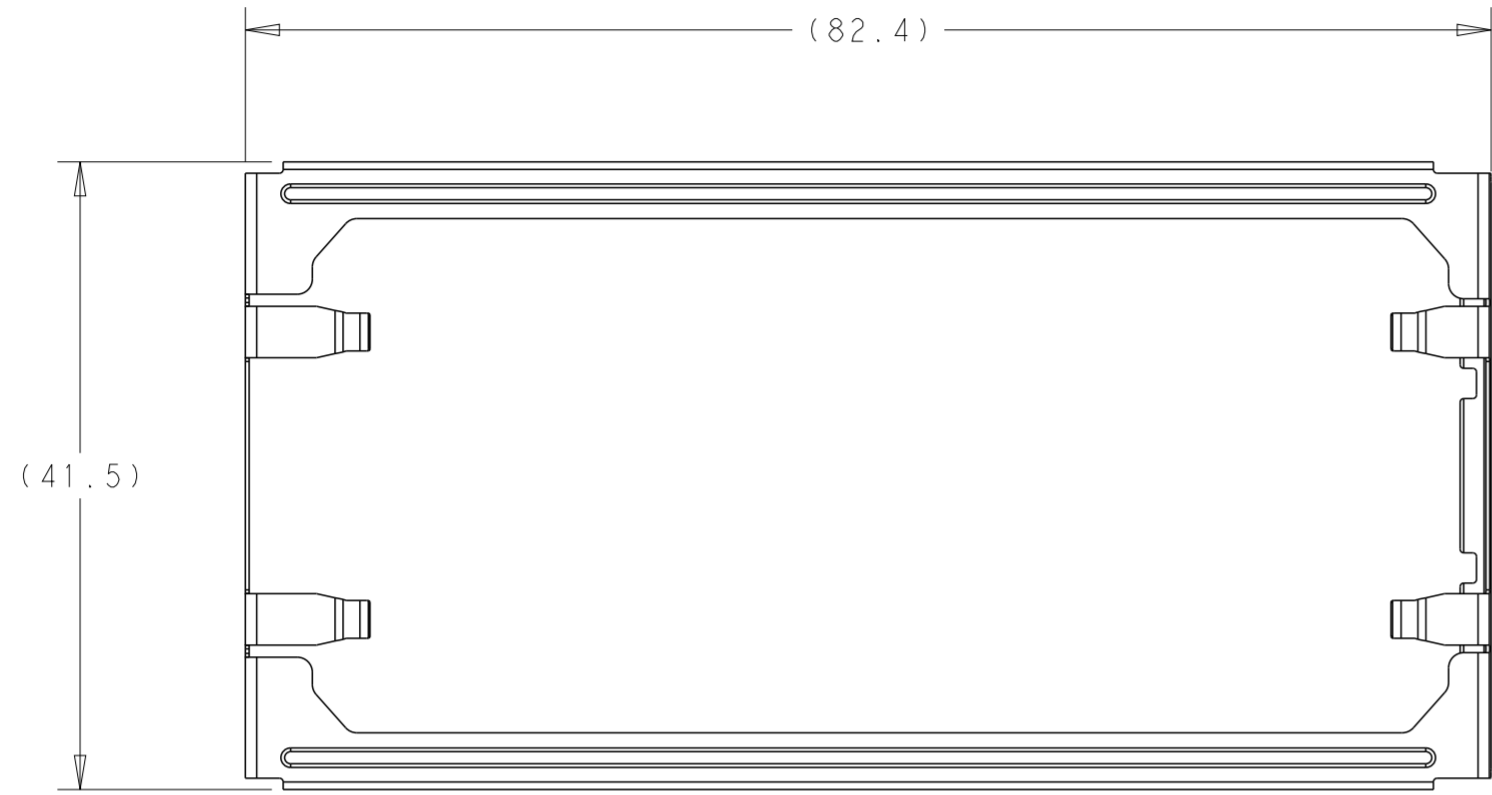
2274843-3 AS SHOWN

THIS DRAWING IS A CONTROLLED DOCUMENT.		DWN ANDY.XIE 17JUN2015	TE Connectivity	
DIMENSIONS: mm		CHK -		
TOLERANCES UNLESS OTHERWISE SPECIFIED:		APVD SEAN.HAN 17JUN2015	NAME HARD WARE KIT FOR CFP2 1X1 PRESS FIT (CAGE, HS, HS CLIP, COVER, SCREW)	
0 PLC ±		PRODUCT SPEC 108-32103	SIZE A2	CAGE CODE -
1 PLC ±0.25		APPLICATION SPEC 114-32146	DRAWING NO C-2274842	RESTRICTED TO -
2 PLC ±0.20		WEIGHT -	SCALE 1:1	SHEET 8 OF 13
3 PLC ±0.1		CUSTOMER DRAWING	REV B2	
4 PLC ±0.05				
ANGLES ±1				
FINISH				
MATERIAL SEE NOTES				
SEE NOTES				

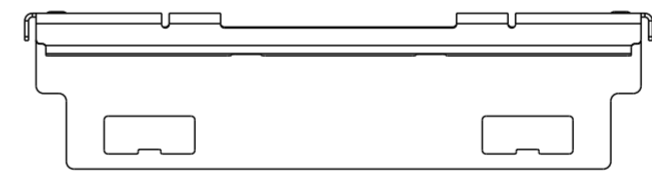


THIS DRAWING IS UNPUBLISHED. RELEASED FOR PUBLICATION 20  
 © COPYRIGHT 20 BY - ALL RIGHTS RESERVED.

REVISIONS				
P	LTR	DESCRIPTION	DATE	APVD
-		SEE SHEET 1	-	-



2288220-1 3D VIEW  
SCALE 2:1

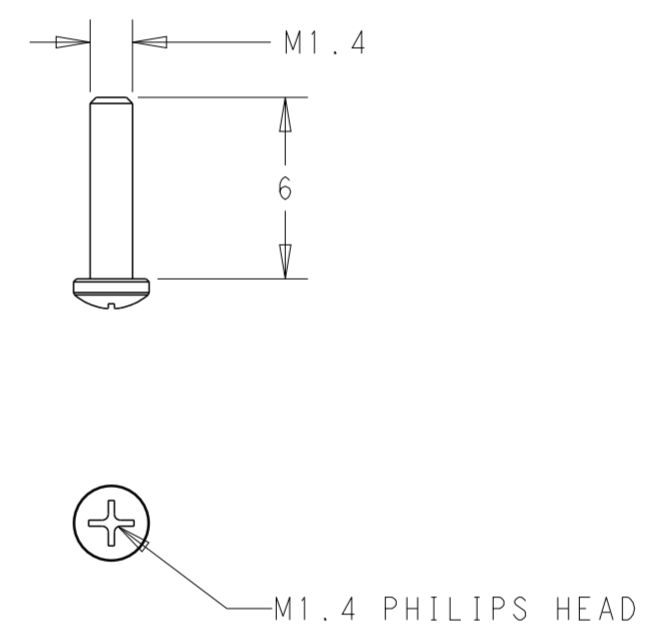
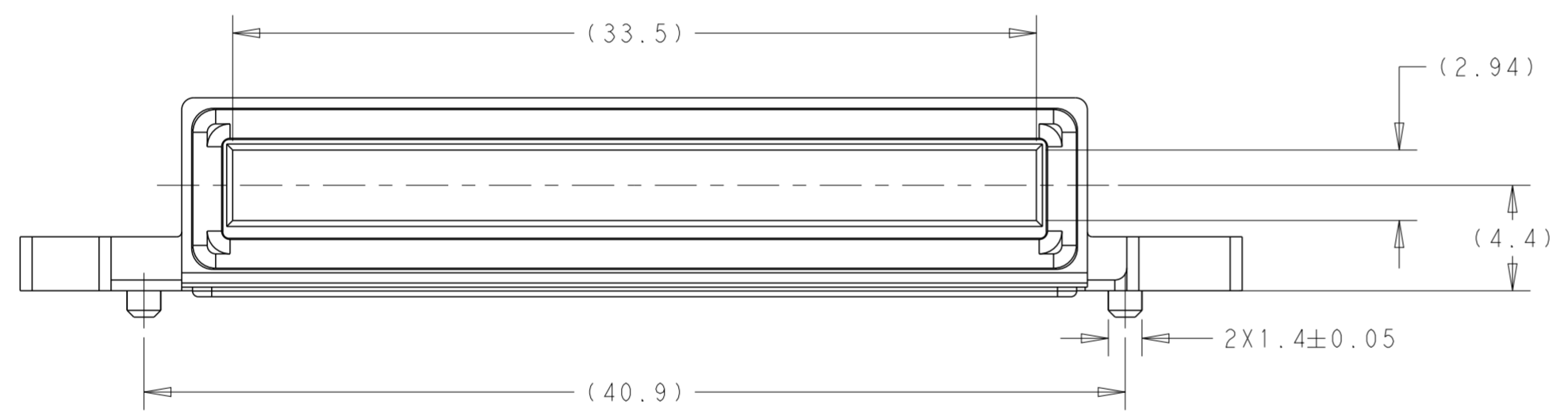
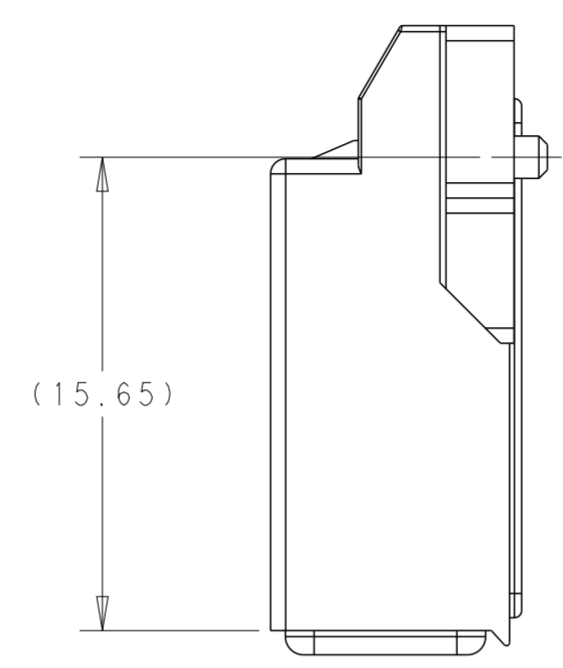
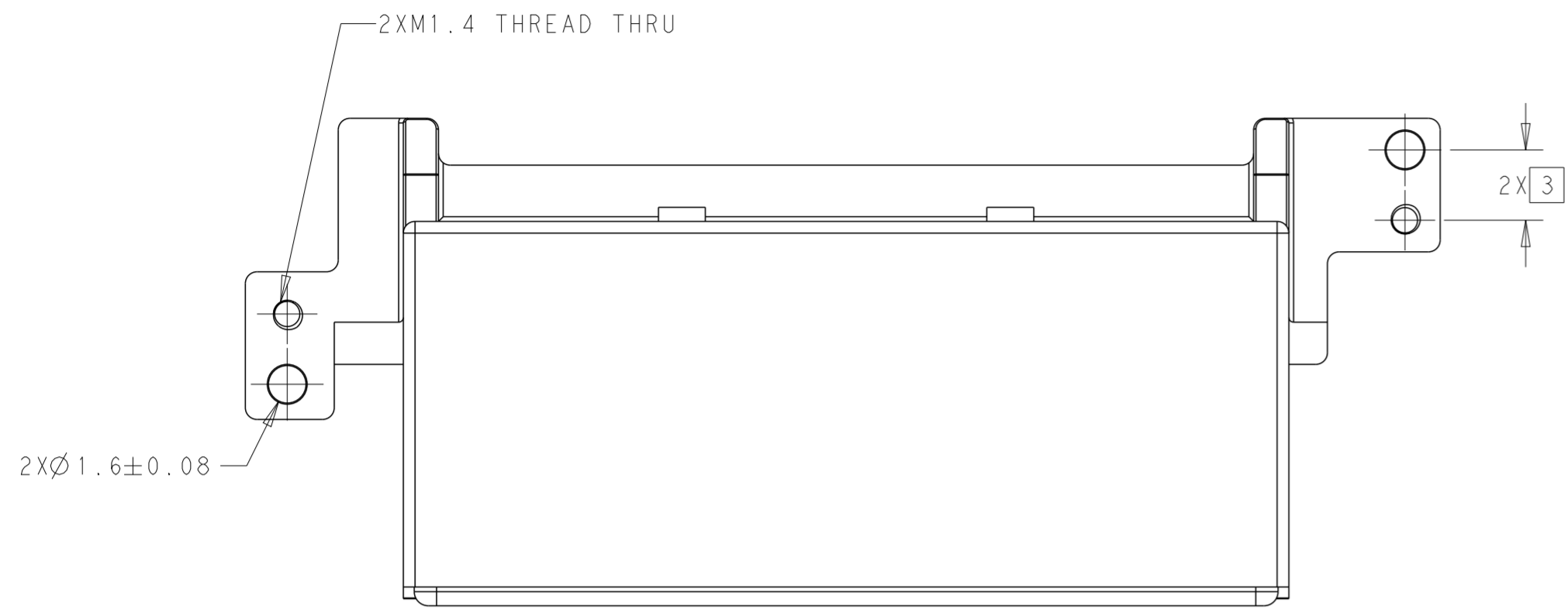


2288220-1 AS SHOWN

THIS DRAWING IS A CONTROLLED DOCUMENT.		DWN ANDY.XIE 17JUN2015	TE Connectivity	
DIMENSIONS: mm		CHK -		
TOLERANCES UNLESS OTHERWISE SPECIFIED:		APVD SEAN.HAN 17JUN2015	NAME HARD WARE KIT FOR CFP2 1X1 PRESS FIT (CAGE, HS, HS CLIP, COVER, SCREW)	
0 PLC ± 1 PLC ±0.25 2 PLC ±0.20 3 PLC ±0.1 4 PLC ±0.05		PRODUCT SPEC 108-32103	SIZE A2	CAGE CODE -
MATERIAL SEE NOTES		APPLICATION SPEC 114-32146	DRAWING NO C-2274842	RESTRICTED TO -
FINISH SEE NOTES		WEIGHT -	SCALE 1:1	SHEET 9 OF 13
		CUSTOMER DRAWING	REV B2	

THIS DRAWING IS UNPUBLISHED. RELEASED FOR PUBLICATION 20  
 © COPYRIGHT 20 BY - ALL RIGHTS RESERVED.

REVISIONS				
P	LTR	DESCRIPTION	DATE	APVD
-	-	SEE SHEET 1	-	-



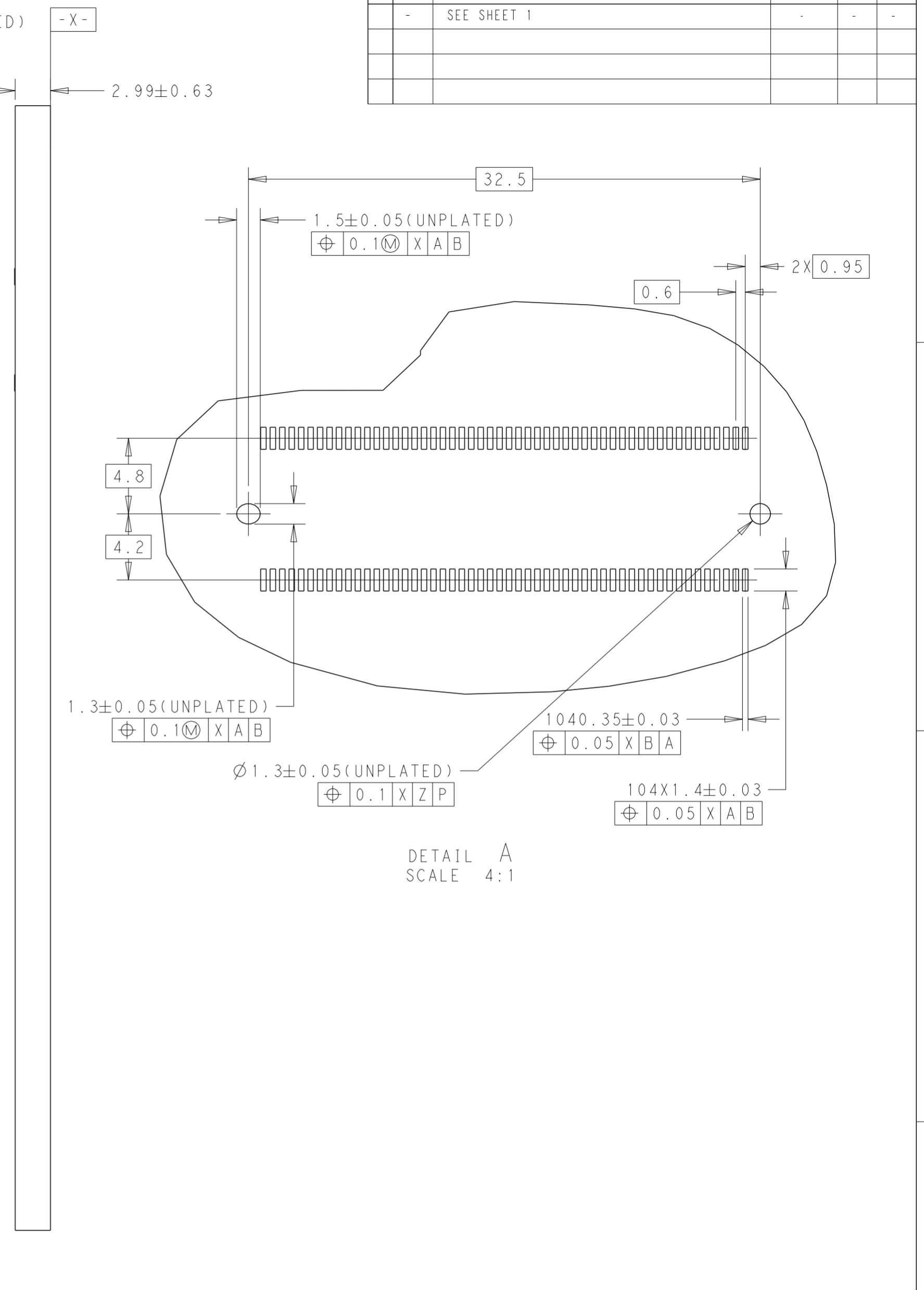
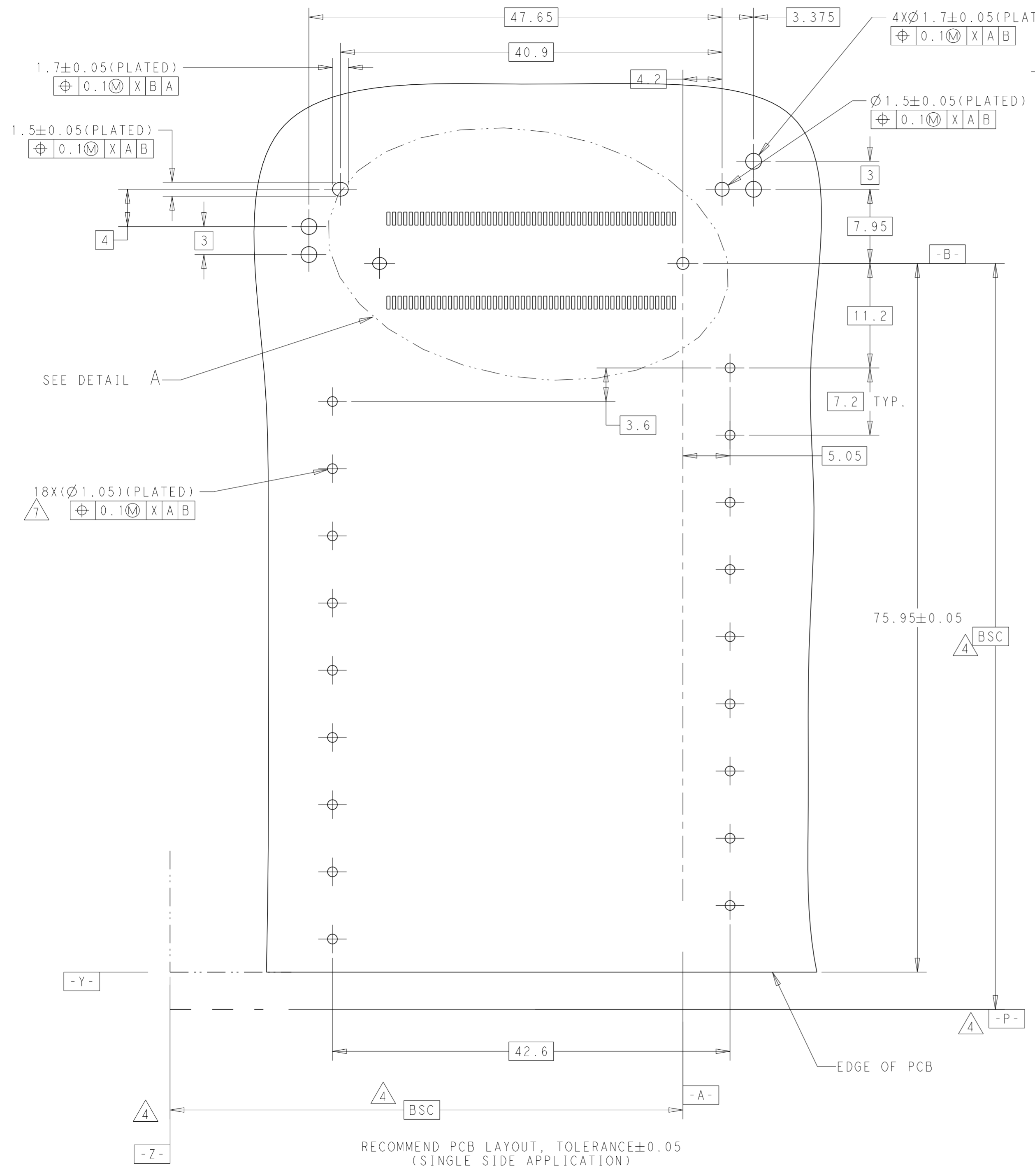
SCALE 4:1



THIS DRAWING IS A CONTROLLED DOCUMENT.		DWN ANDY.XIE 17JUN2015	TE Connectivity	
DIMENSIONS: mm		CHK -		
TOLERANCES UNLESS OTHERWISE SPECIFIED:		APVD SEAN.HAN 17JUN2015	NAME HARD WARE KIT FOR CFP2 1X1	
0 PLC ±		PRODUCT SPEC 108-32103	PRESS FIT	
1 PLC ±0.25		APPLICATION SPEC 114-32146	(CAGE, HS, HS CLIP, COVER, SCREW)	
2 PLC ±0.20		WEIGHT -	SIZE A2	CAGE CODE -
3 PLC ±0.1		CUSTOMER DRAWING	DRAWING NO C-2274842	RESTRICTED TO -
4 PLC ±0.05			SCALE 1:1	SHEET 10 OF 13
ANGLES ±1				
FINISH				
MATERIAL SEE NOTES				
SEE NOTES				

THIS DRAWING IS UNPUBLISHED. RELEASED FOR PUBLICATION 20  
 © COPYRIGHT 20 BY - ALL RIGHTS RESERVED.

REVISIONS					
P	LTR	DESCRIPTION	DATE	DWN	APVD
-	-	SEE SHEET 1	-	-	-



THIS DRAWING IS A CONTROLLED DOCUMENT.		DWN ANDY.XIE 17JUN2015	TE Connectivity		
DIMENSIONS: mm		CHK -			
TOLERANCES UNLESS OTHERWISE SPECIFIED:		APVD SEAN.HAN 17JUN2015	NAME HARD WARE KIT FOR CFP2 1X1 PRESS FIT (CAGE, HS, HS CLIP, COVER, SCREW)		
0 PLC ±		PRODUCT SPEC 108-32103	SIZE A2		
1 PLC ±0.25		APPLICATION SPEC 114-32146	CAGE CODE -		
2 PLC ±0.20		WEIGHT -	DRAWING NO C-2274842		
3 PLC ±0.1		CUSTOMER DRAWING	RESTRICTED TO -		
4 PLC ±0.05		SCALE 1:1	SHEET 11 OF 13		
ANGLES ±1		REV B2			
FINISH SEE NOTES					

THIS DRAWING IS UNPUBLISHED. RELEASED FOR PUBLICATION 20  
 © COPYRIGHT 20 BY - ALL RIGHTS RESERVED.

REVISIONS				
P	LTR	DESCRIPTION	DATE	APVD
-		SEE SHEET 1	-	-

CROSS-HATCHED DENOTES COMPONENT AND TRACE KEEP-OUT AREA (EXCEPT CHASSIS GROUND) FOR NON-MAYLARTAPE APPLICATION. COMPONENTS AND TRACES ARE ONLY ALLOWED FOR APPLICATION WITH MYLAR TAPE

74.63 MAX.

10.63 MIN

8.5  
2.2

EXPOSED PLATED AND SOLDER MASK PULLED BACK (COMPONENT AND TRACE KEEPOUT AREA)

2.8 MIN

46.06  
42.6 MIN

39.2  
37.9

42.1  
36.74

- A -

2.8 MIN

1.7 MIN


4.16  
3.1  
5.16  
1.2

1.8  
14.35  
16  
4.5  
1.78  
6.85

EDGE OF PCB

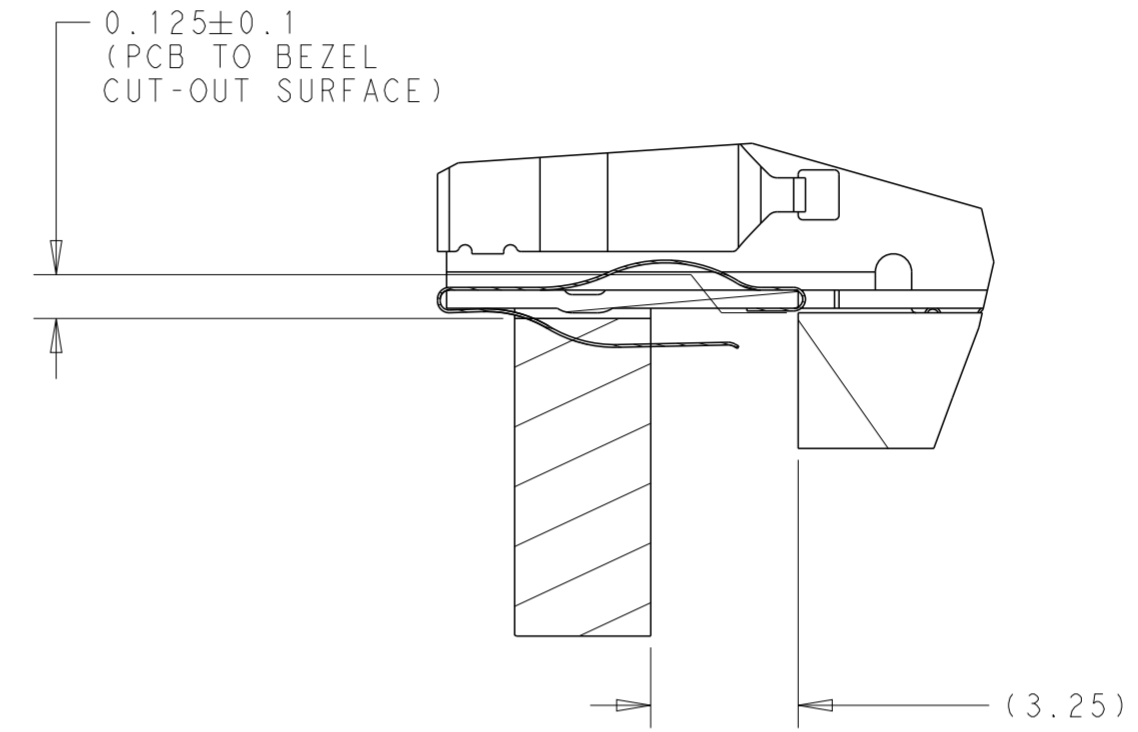
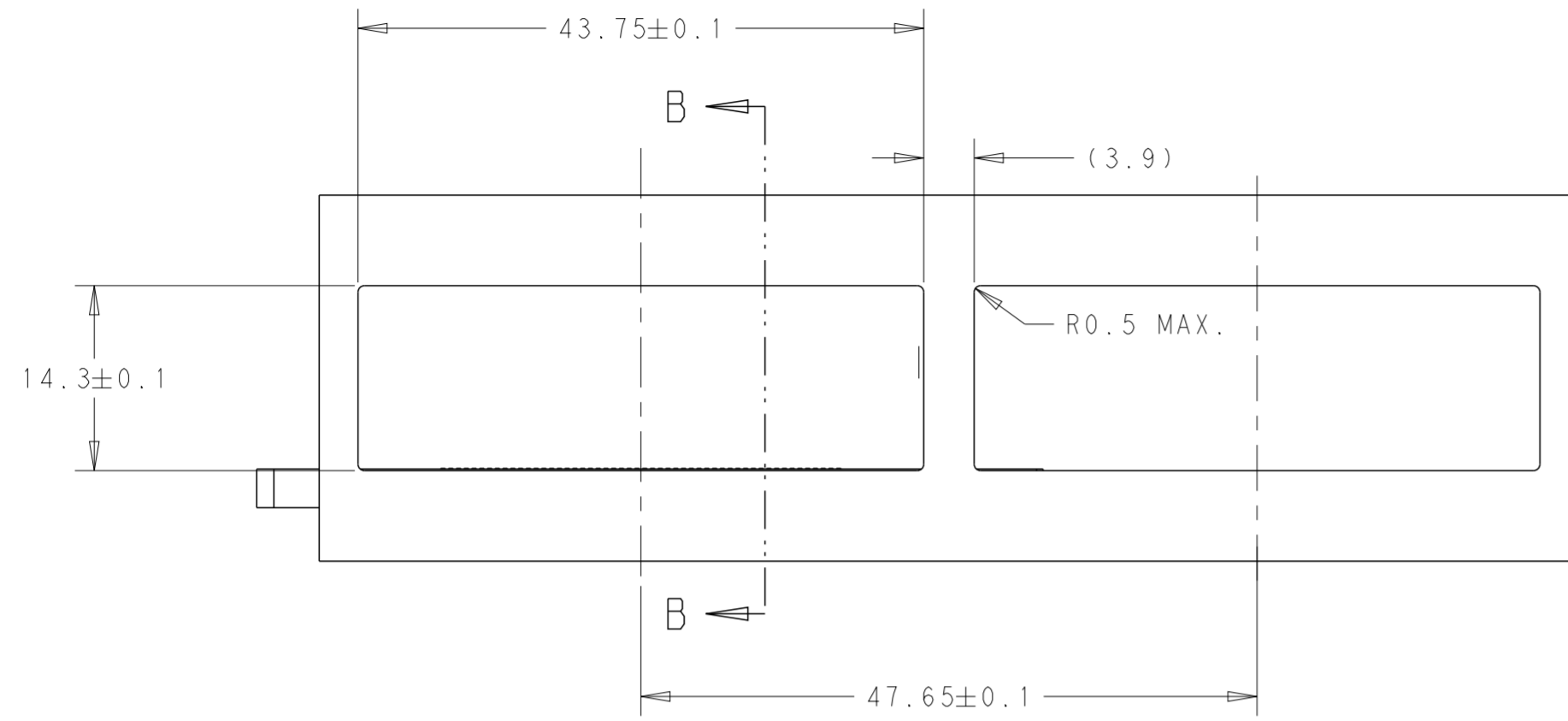
CROSS-HATCHED DENOTES COMPONENT AND TRACE KEEP-OUT AREA (EXCEPT CHASSIS GROUND)

COMPONENT KEEP-OUT AREA (TRACE ALLOWED)

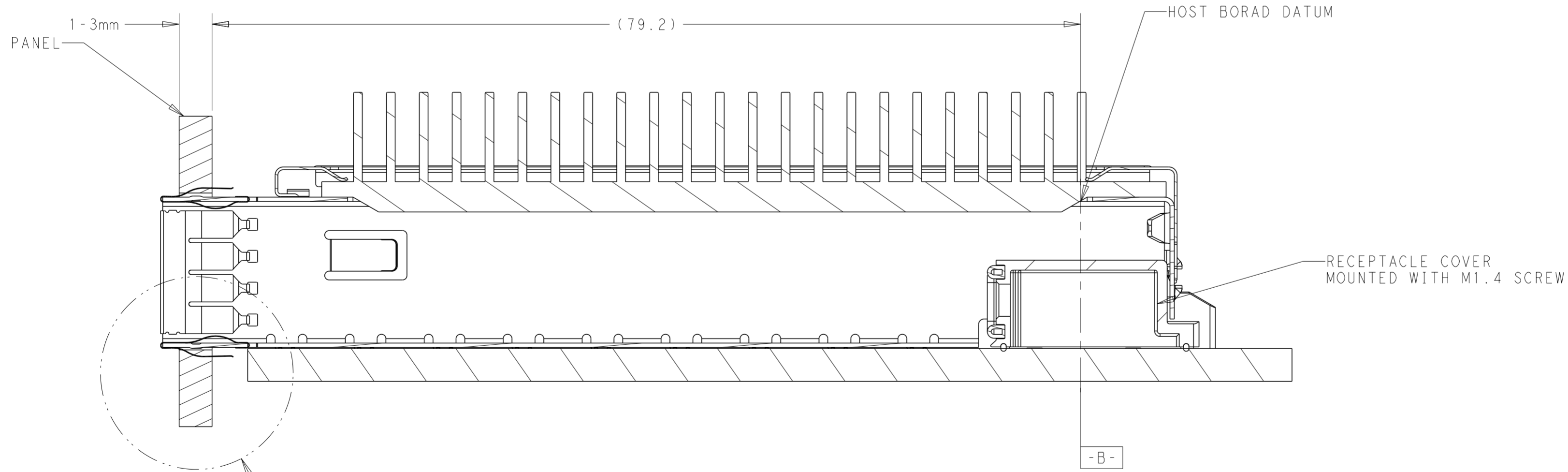
THIS DRAWING IS A CONTROLLED DOCUMENT.		DWN ANDY.XIE 17JUN2015	 TE Connectivity	
DIMENSIONS: mm		CHK -		
TOLERANCES UNLESS OTHERWISE SPECIFIED:		APVD SEAN.HAN 17JUN2015	NAME HARD WARE KIT FOR CFP2 1X1 PRESS FIT (CAGE, HS, HS CLIP, COVER, SCREW)	
0 PLC ± 1 PLC ±0.25 2 PLC ±0.20 3 PLC ±0.1 4 PLC ±0.05 ANGLES ±1 FINISH		PRODUCT SPEC 108-32103	SIZE A2	CAGE CODE -
MATERIAL SEE NOTES		APPLICATION SPEC 114-32146	DRAWING NO C-2274842	RESTRICTED TO -
		WEIGHT -	SCALE 1:1	SHEET 12 OF 13
		CUSTOMER DRAWING	REV B2	

THIS DRAWING IS UNPUBLISHED. RELEASED FOR PUBLICATION 20  
 © COPYRIGHT 20 BY - ALL RIGHTS RESERVED.

REVISIONS				
P	LTR	DESCRIPTION	DATE	APVD
-	-	SEE SHEET 1	-	-



DETAIL B  
SCALE 6:1



SECTION B-B  
SCALE 3:1

SEE DETAIL B

THIS DRAWING IS A CONTROLLED DOCUMENT.		DWN ANDY.XIE 17JUN2015	<b>STE</b> TE Connectivity	
DIMENSIONS: mm		CHK -		
TOLERANCES UNLESS OTHERWISE SPECIFIED:		APVD SEAN.HAN 17JUN2015	NAME HARD WARE KIT FOR CFP2 1X1	
0 PLC ±		PRODUCT SPEC 108-32103	PRESS FIT	
1 PLC ±0.25		APPLICATION SPEC 114-32146	(CAGE, HS, HS CLIP, COVER, SCREW)	
2 PLC ±0.20		WEIGHT -	SIZE A2	CAGE CODE -
3 PLC ±0.1		CUSTOMER DRAWING	DRAWING NO. C-2274842	RESTRICTED TO -
4 PLC ±0.05		SCALE 1:1	SHEET 13 OF 13	REV B2
ANGLES ±1				
FINISH				
MATERIAL SEE NOTES				
SEE NOTES				