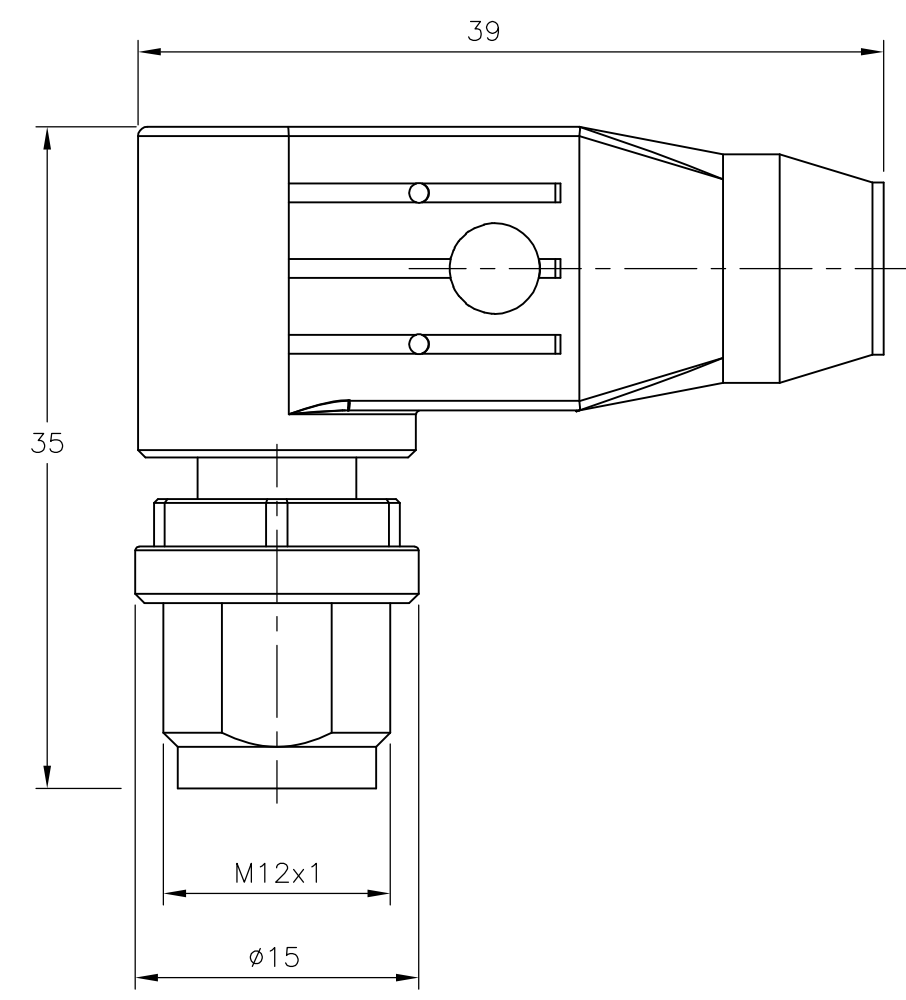
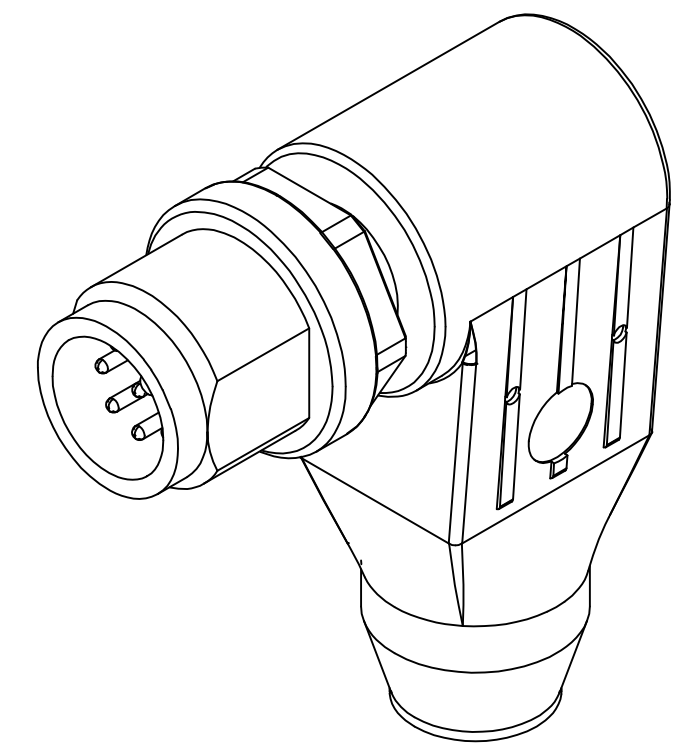
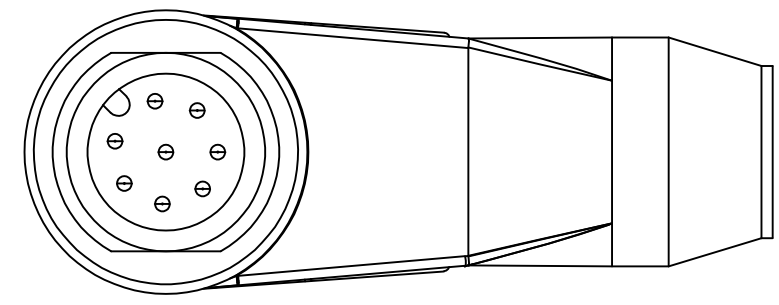
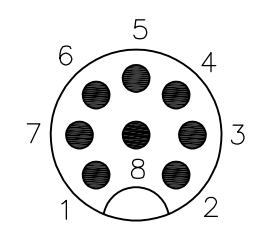


THIS DRAWING IS UNPUBLISHED. RELEASED FOR PUBLICATION
 © COPYRIGHT - By - ALL RIGHTS RESERVED.

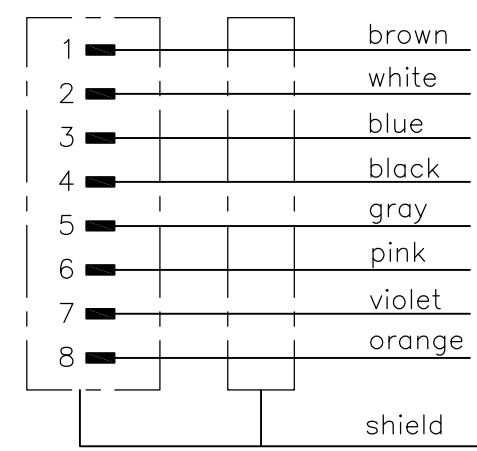
LOC	DIST	REVISIONS					
H	-	P	LTR	DESCRIPTION	DATE	DWN	APVD
			A	INITIAL RELEASE	29APR2014	YC	BvH




Contact Layout Male



Circuit diagram



M12 ANGLED PLUG 8POS SHLD A	2273229-1
DESCRIPTION	TE PN

THIS DRAWING IS A CONTROLLED DOCUMENT.		DWN	29APR2014	 TE Connectivity	NAME	M12 ANGLED PLUG 8POS SHLD A			RESTRICTED TO	
DIMENSIONS: mm		CHK	29APR2014			PRODUCT SPEC	SIZE	CAGE CODE		DRAWING NO
TOLERANCES UNLESS OTHERWISE SPECIFIED:		A.VAN ZANDVOORT								
MATERIAL		FINISH				WEIGHT	SCALE			SHEET
-		-		-	NTS		1 OF 1	A		
CUSTOMER DRAWING				APVD		29APR2014		A.VAN ZANDVOORT		