

4

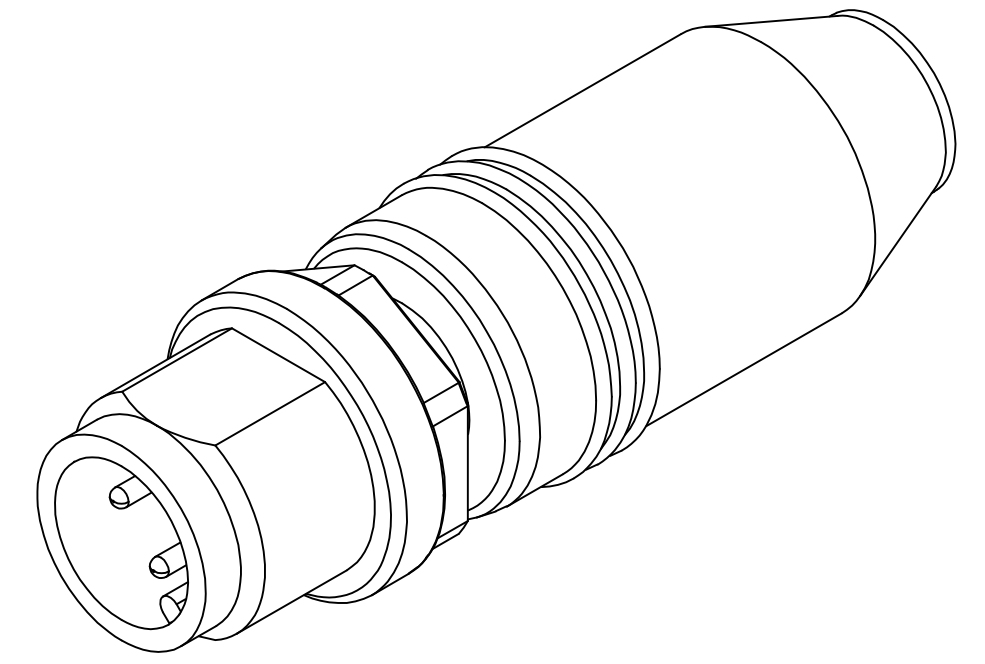
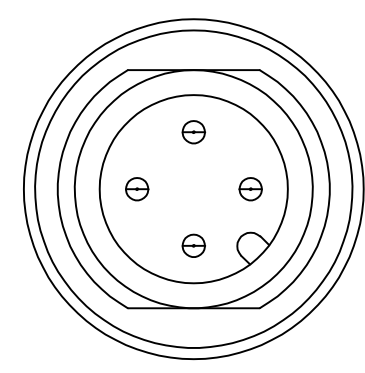
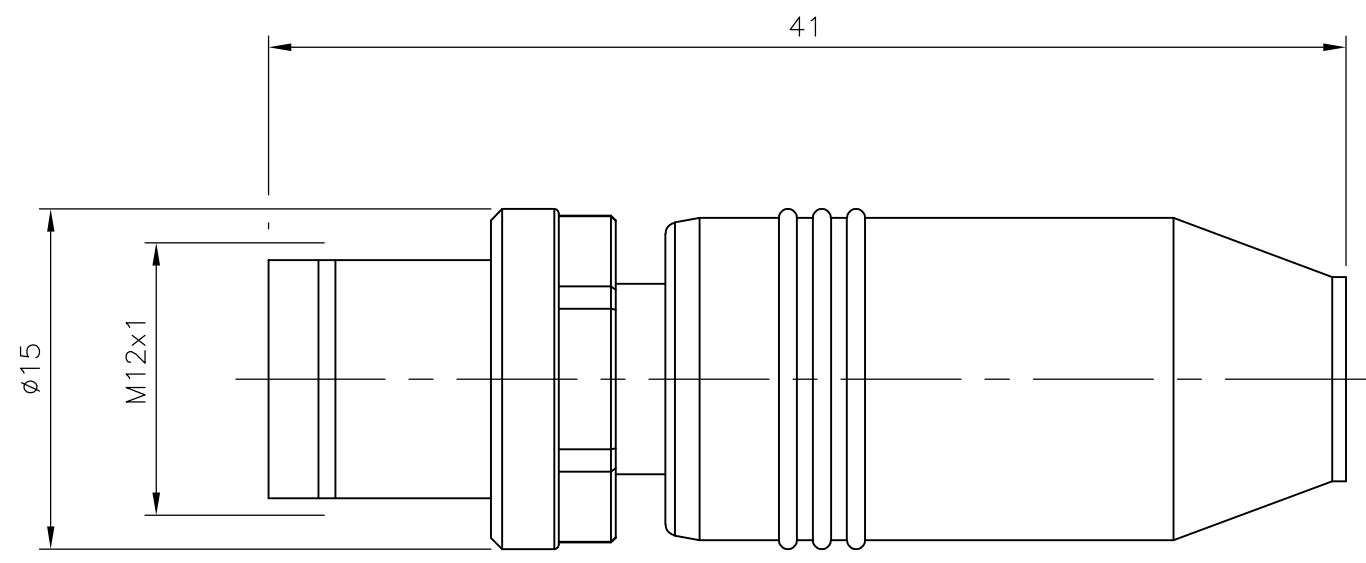
3

2

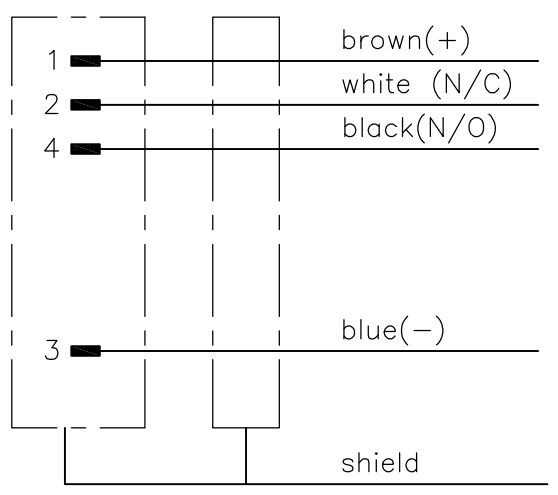
1

THIS DRAWING IS UNPUBLISHED. RELEASED FOR PUBLICATION - , - .
 © COPYRIGHT - By - ALL RIGHTS RESERVED.

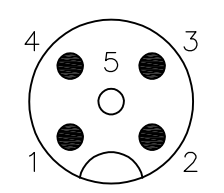
LOC	DIST	REVISIONS			
P	LTR	DESCRIPTION	DATE	DWN	APVD
	A	INITIAL RELEASE	29APR2014	YC	BvH




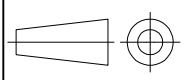
Circuit diagram



Contact Layout Male



M12 STRAIGHT PLUG 4POS SHLD A	2273216-1
DESCRIPTION	TE PN

THIS DRAWING IS A CONTROLLED DOCUMENT.		DWN	29APR2014	 TE Connectivity
		CHK	29APR2014	
		APVD	29APR2014	
		YATHISH.C		NAME
		B.VELDHOVEN		M12 STRAIGHT PLUG 4POS SHLD A
		A.VAN ZANDVOORT		
DIMENSIONS: mm		TOLERANCES UNLESS OTHERWISE SPECIFIED:		
		0 PLC	± -	
		1 PLC	± -	
		2 PLC	± -	
		3 PLC	± -	
		4 PLC	± -	
MATERIAL		FINISH		
		PRODUCT SPEC		
		APPLICATION SPEC		
		SIZE	CAGE CODE	DRAWING NO
		A3	00779	C-2273216
		WEIGHT		RESTRICTED TO
		-		-
CUSTOMER DRAWING		SCALE	SHEET	REV
		NTS	1 OF 1	A