

THIS DRAWING IS UNPUBLISHED.

RELEASED FOR PUBLICATION

ALL RIGHTS RESERVED.

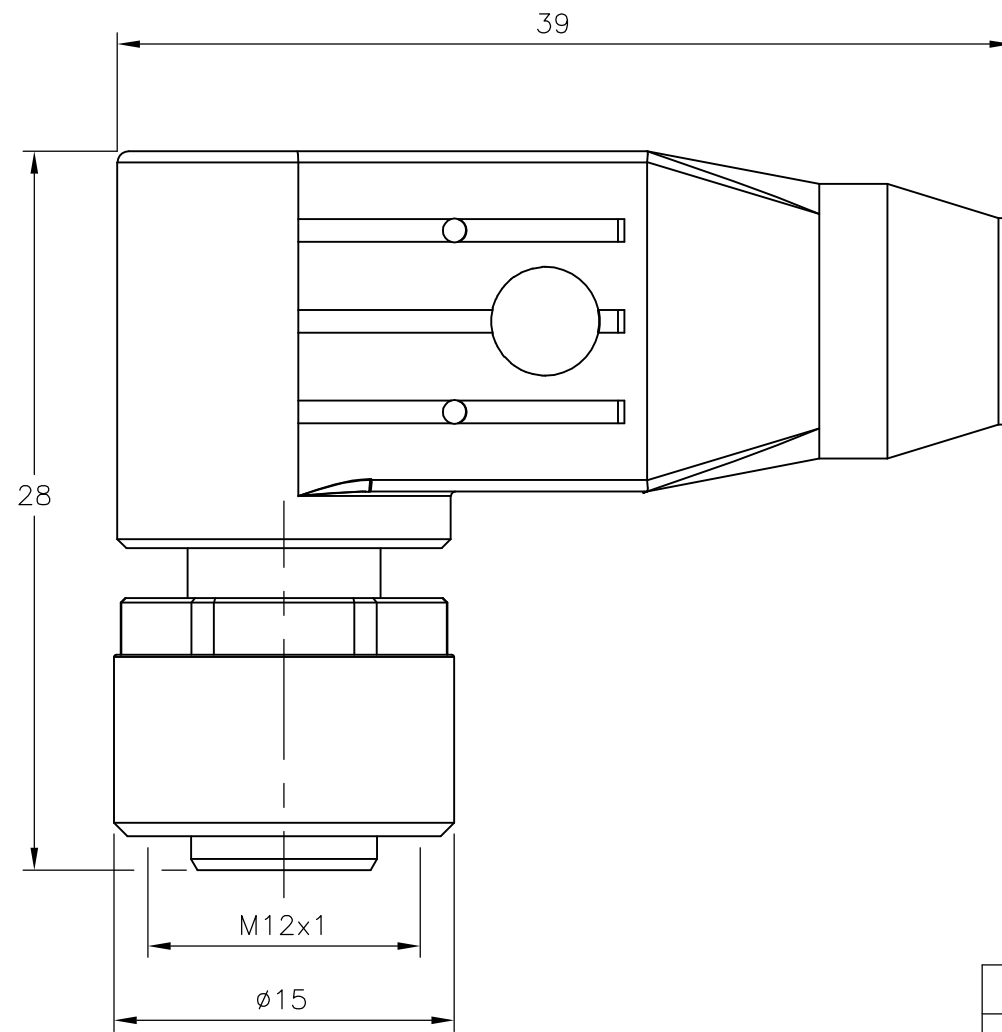
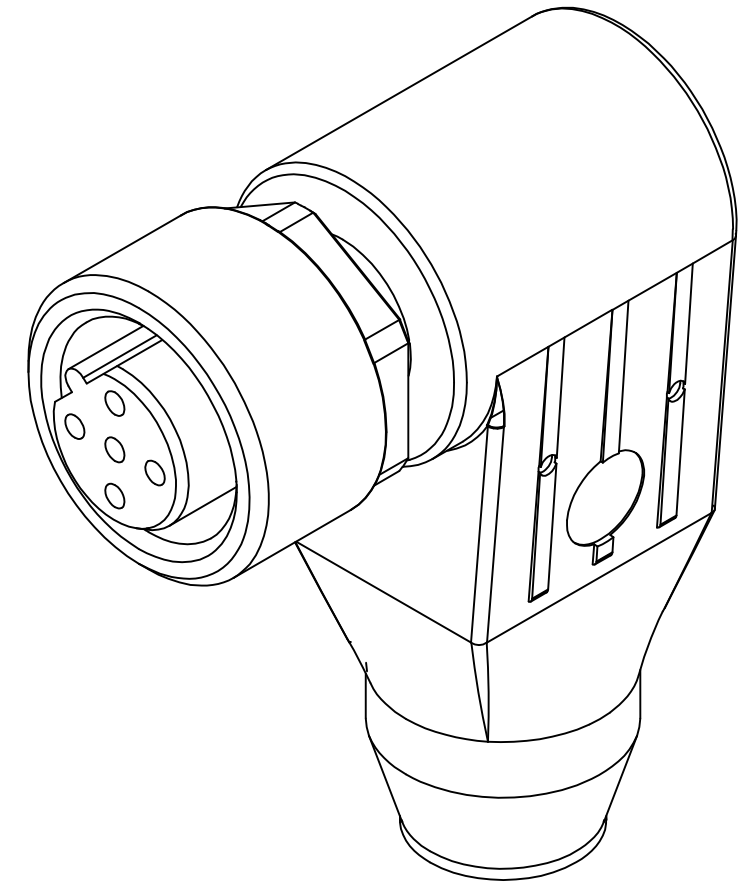
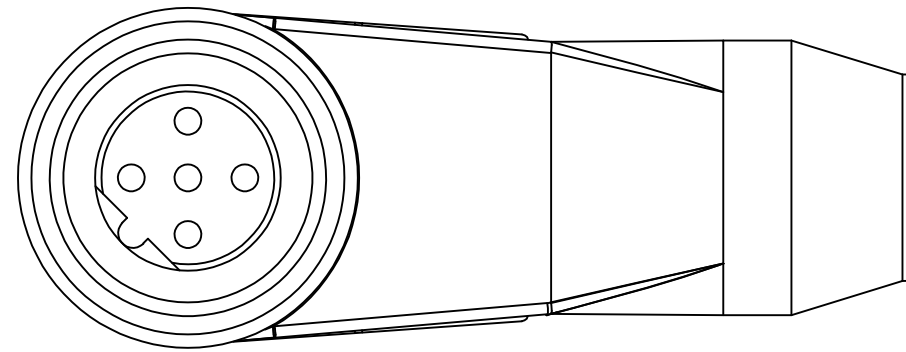
LOC

DIST

REVISIONS

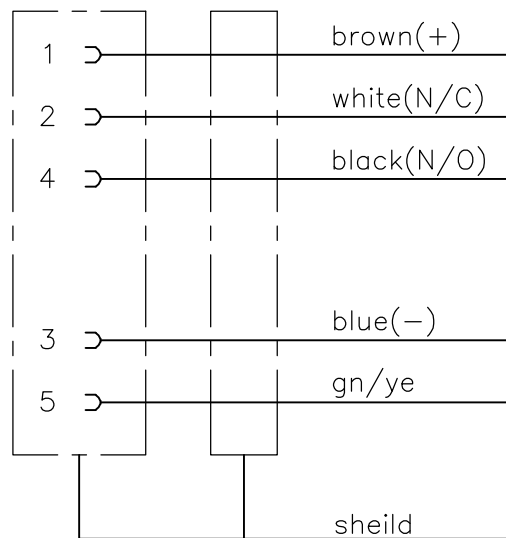
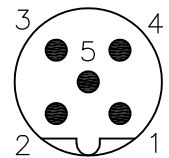
© COPYRIGHT - By -

P	LTR	DESCRIPTION	DATE	DWN	APVD
	A	INITIAL RELEASE	29APR2014	GSK	BvH



Circuit diagram

Contact Layout Female



M12 X 1.0 ANGLED SOCKET 5POS SHLD B	2273206-1
DESCRIPTION	TE PN

THIS DRAWING IS A CONTROLLED DOCUMENT.		DWN 29APR2014 SATHISH KUMAR .G	<b>STE</b> TE Connectivity				
DIMENSIONS: mm		CHK 29APR2014 B.VELDHOVEN					
TOLERANCES UNLESS OTHERWISE SPECIFIED:		APVD 29APR2014 A.VAN ZANDVOORT	NAME M12 ANGLED SOCKET 5POS SHLD B				
MATERIAL		PRODUCT SPEC	SIZE	CAGE CODE	DRAWING NO	RESTRICTED TO	
FINISH		APPLICATION SPEC	A3	00779	C-2273206	-	
		WEIGHT	CUSTOMER DRAWING		SCALE	SHEET	REV
					NTS	1 OF 1	A