

THIS DRAWING IS UNPUBLISHED.

RELEASED FOR PUBLICATION

ALL RIGHTS RESERVED.

LOC

DIST

REVISIONS

© COPYRIGHT - By -

P LTR

DESCRIPTION

DATE

DWN

APVD

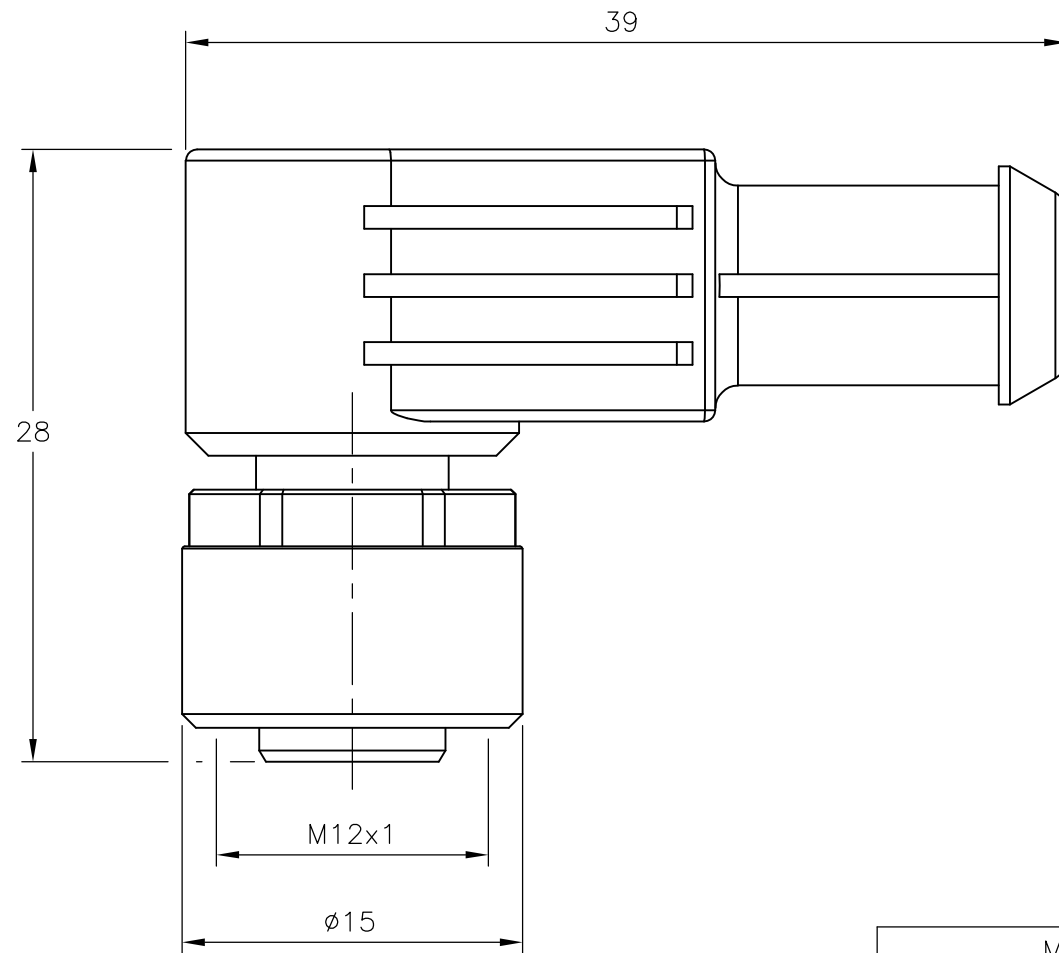
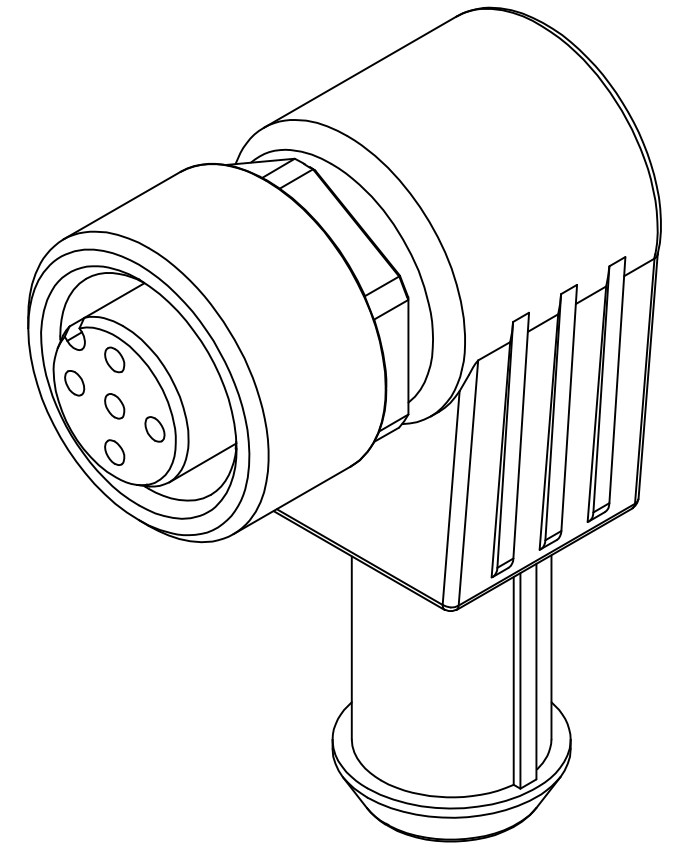
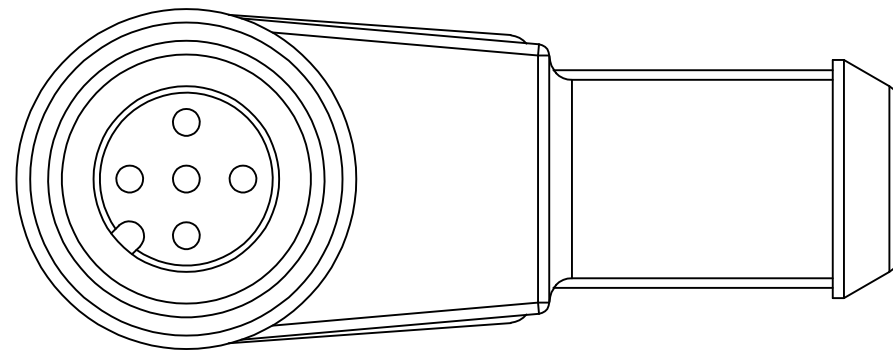
A

INITIAL RELEASE

29APR2014

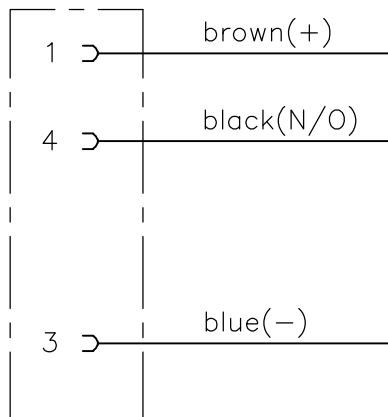
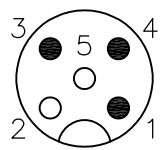
GSK

BvH



Circuit diagram

Contact Layout Female



M12 X 1.0 ANGLED SOCKET 3POS A

2273199-1

DESCRIPTION

TE PN

THIS DRAWING IS A CONTROLLED DOCUMENT.

DWN 29APR2014

SATHISH KUMAR .G

CHK 29APR2014

B.VELDHOVEN

APVD 29APR2014

A.VAN ZANDVOORT

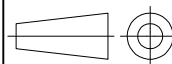
NAME



M12 ANGLED SOCKET 3POS A

DIMENSIONS: mm

TOLERANCES UNLESS OTHERWISE SPECIFIED:



- 0 PLC ± -
- 1 PLC ± -
- 2 PLC ± -
- 3 PLC ± -
- 4 PLC ± -
- ANGLES ± -

MATERIAL

FINISH

PRODUCT SPEC

APPLICATION SPEC

WEIGHT

SIZE

CAGE CODE

DRAWING NO

RESTRICTED TO

A3 00779

C-2273199

CUSTOMER DRAWING

SCALE NTS

SHEET 1 OF 1

REV A