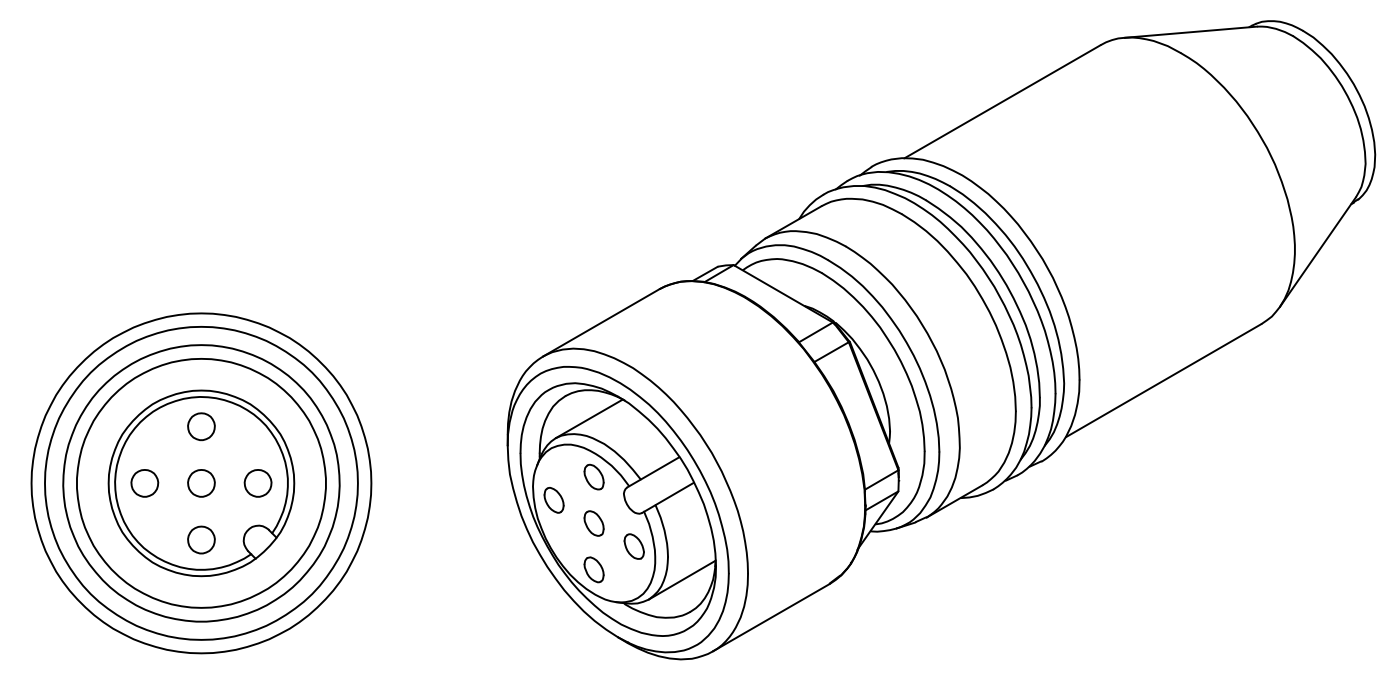
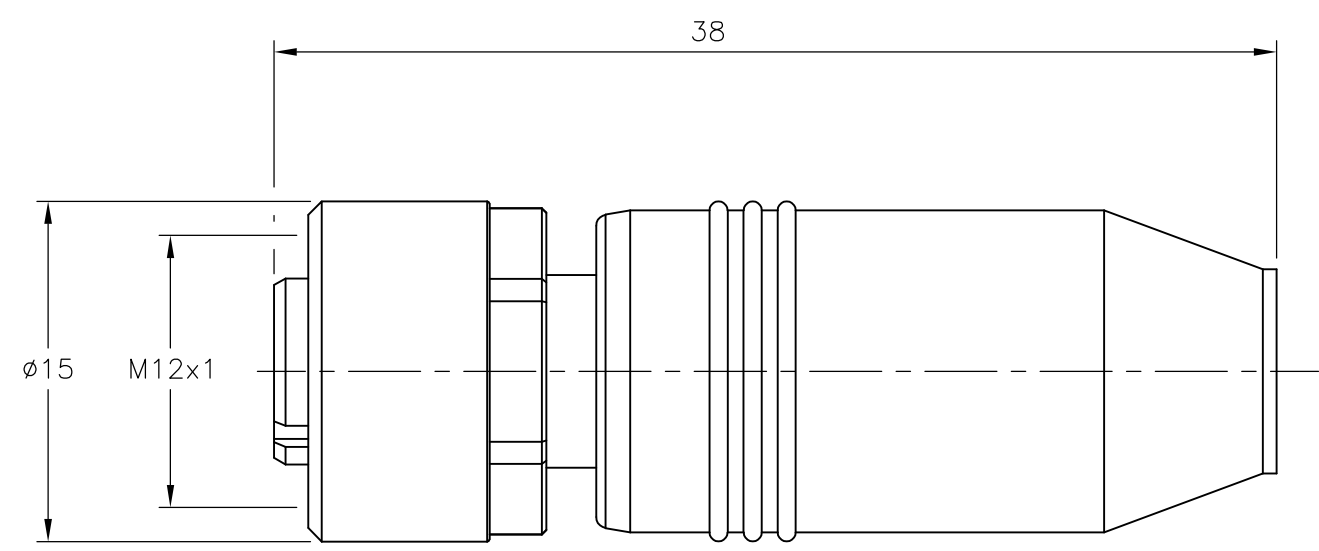
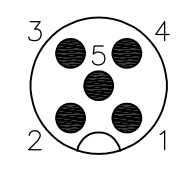


THIS DRAWING IS UNPUBLISHED. RELEASED FOR PUBLICATION
 © COPYRIGHT - By - ALL RIGHTS RESERVED.

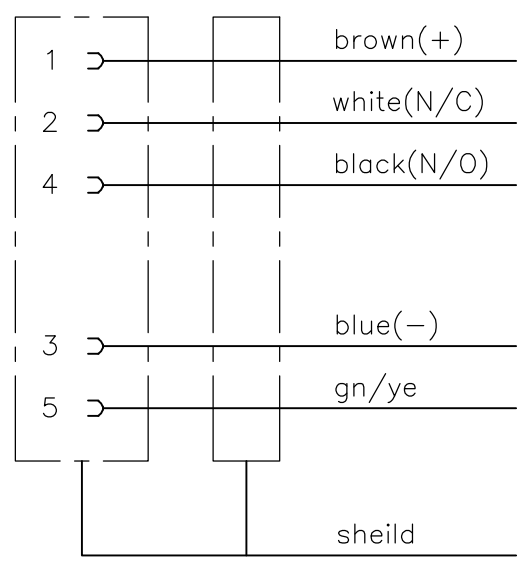
LOC	DIST	REVISIONS					
		P	LTR	DESCRIPTION	DATE	DWN	APVD
H	-		A	INITIAL RELEASE	29APR2014	GSK	BvH



Contact Layout Female



Circuit diagram



M12 X 1.0 STRAIGHT SOCKET 5POS SHLD A	2273194-1
DESCRIPTION	TE PN

THIS DRAWING IS A CONTROLLED DOCUMENT.		DWN 29APR2014 SATHISH KUMAR .G	TE Connectivity		
DIMENSIONS: mm		CHK 29APR2014 B.VELDHOVEN			
TOLERANCES UNLESS OTHERWISE SPECIFIED:		APVD 29APR2014 A.VAN ZANDVOORT	NAME M12 STRAIGHT SOCKET 5POS SHLD A		
0 PLC ± - 1 PLC ± - 2 PLC ± - 3 PLC ± - 4 PLC ± - ANGLES ± -		PRODUCT SPEC -	RESTRICTED TO -		
MATERIAL -		APPLICATION SPEC -	SIZE A3	CAGE CODE 00779	DRAWING NO C-2273194
FINISH -		WEIGHT -	SCALE NTS		SHEET 1 OF 1
CUSTOMER DRAWING			REV A		