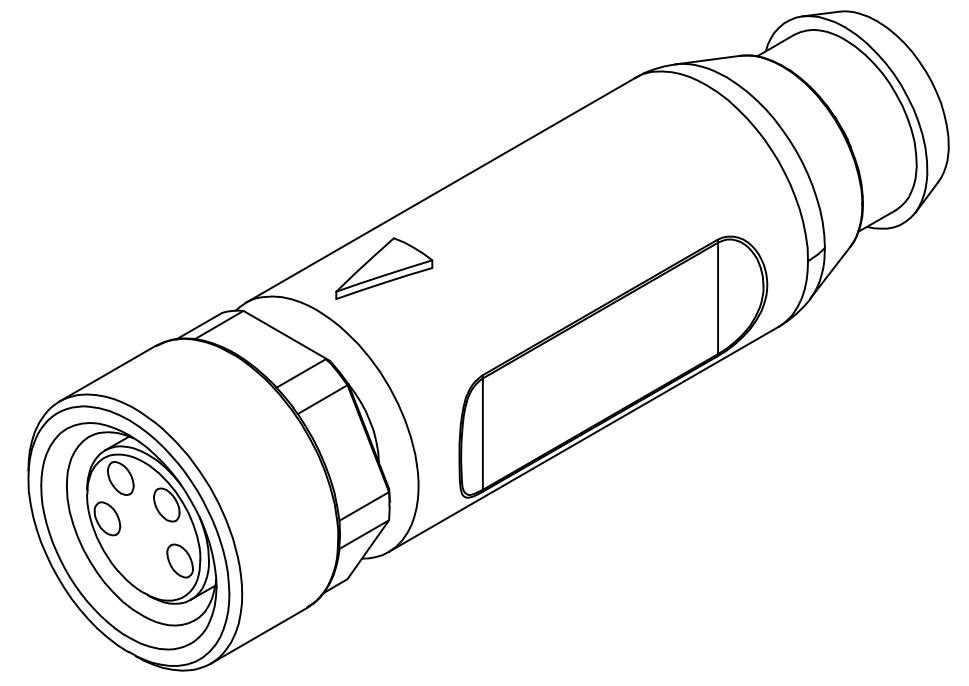
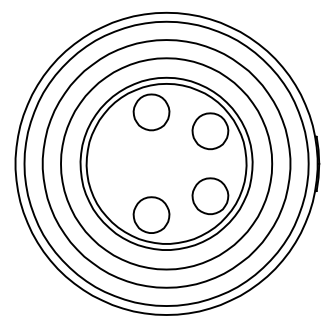
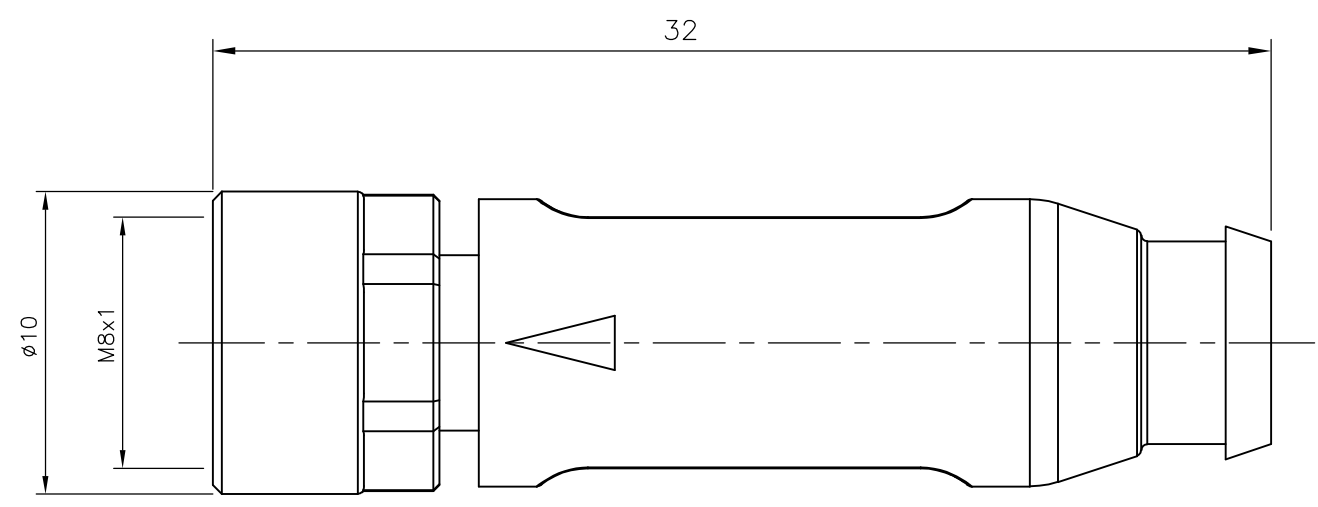
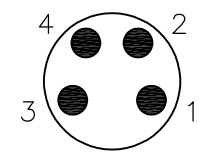


THIS DRAWING IS UNPUBLISHED. RELEASED FOR PUBLICATION
 © COPYRIGHT - By - ALL RIGHTS RESERVED.

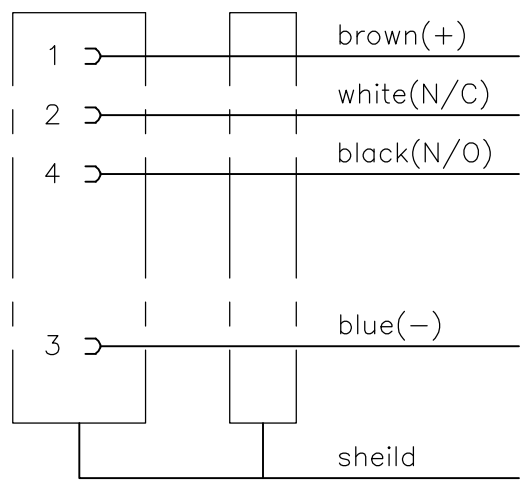
LOC	DIST	REVISIONS					
		P	LTR	DESCRIPTION	DATE	DWN	APVD
H	-		A	INITIAL RELEASE	29APR2014	GSK	BvH



Contact Layout Female



Circuit diagram



M8 X 1.0 STRAIGHT SOCKET SHLD 4POS	2273177-1
DESCRIPTION	TE PN

THIS DRAWING IS A CONTROLLED DOCUMENT.

DIMENSIONS: mm	TOLERANCES UNLESS OTHERWISE SPECIFIED:
	0 PLC ± -
	1 PLC ± -
	2 PLC ± -
	3 PLC ± -
	4 PLC ± -
	ANGLES ± -

MATERIAL	FINISH
-	-

DWN	29APR2014
CHK	29APR2014
APVD	29APR2014
PRODUCT SPEC	-
APPLICATION SPEC	-
WEIGHT	-

SATHISH KUMAR .G		TE Connectivity	
B.VELDHOVEN		M8 X 1.0 STRAIGHT SOCKET SHLD 4POS	
A.VAN ZANDVOORT		SIZE	RESTRICTED TO
-		A3	-
CUSTOMER DRAWING		CAGE CODE	REV
-		00779	A
-		DRAWING NO	SCALE
-		C-2273177	NTS
-		SHEET	1 OF 1