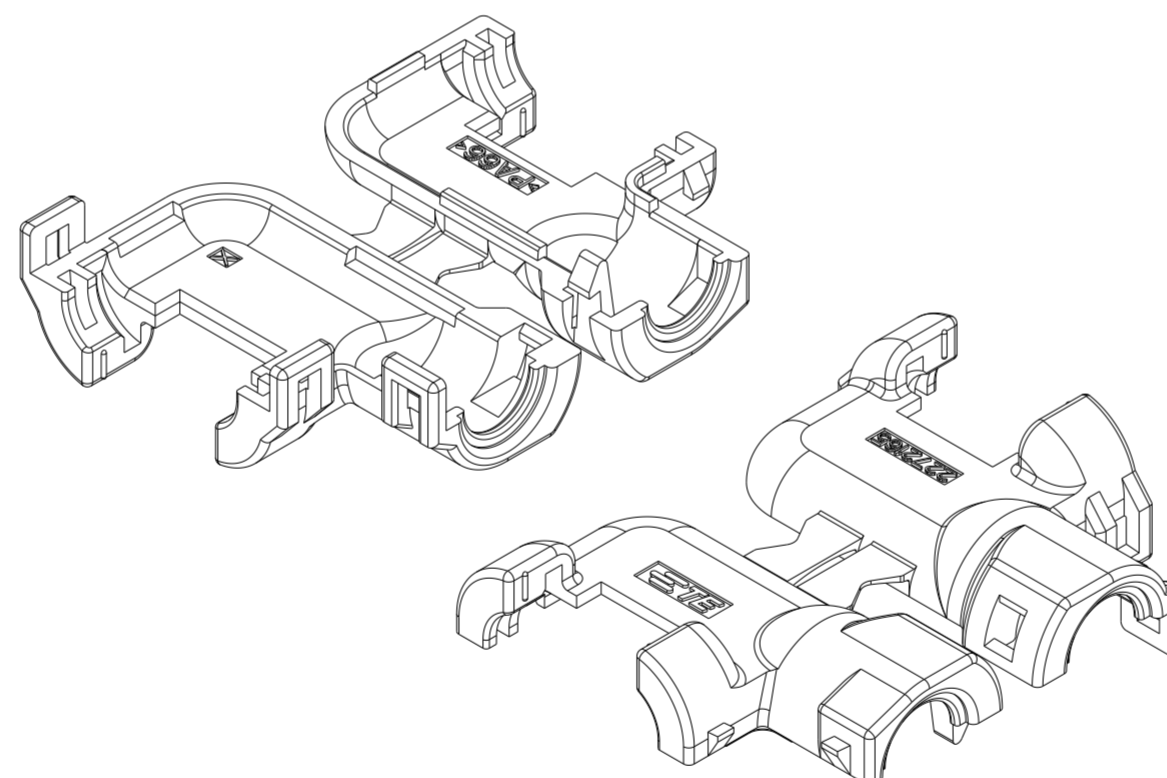
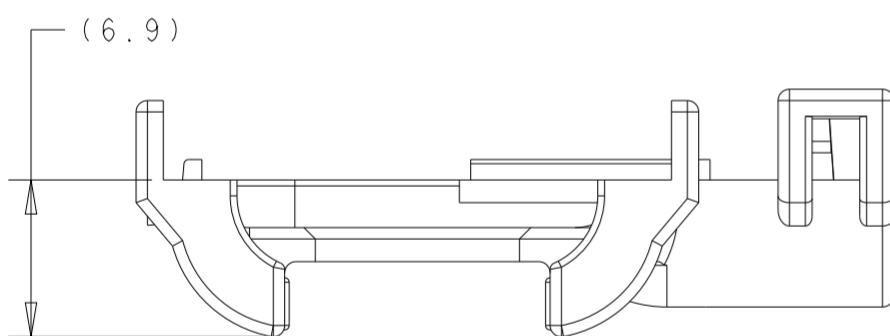
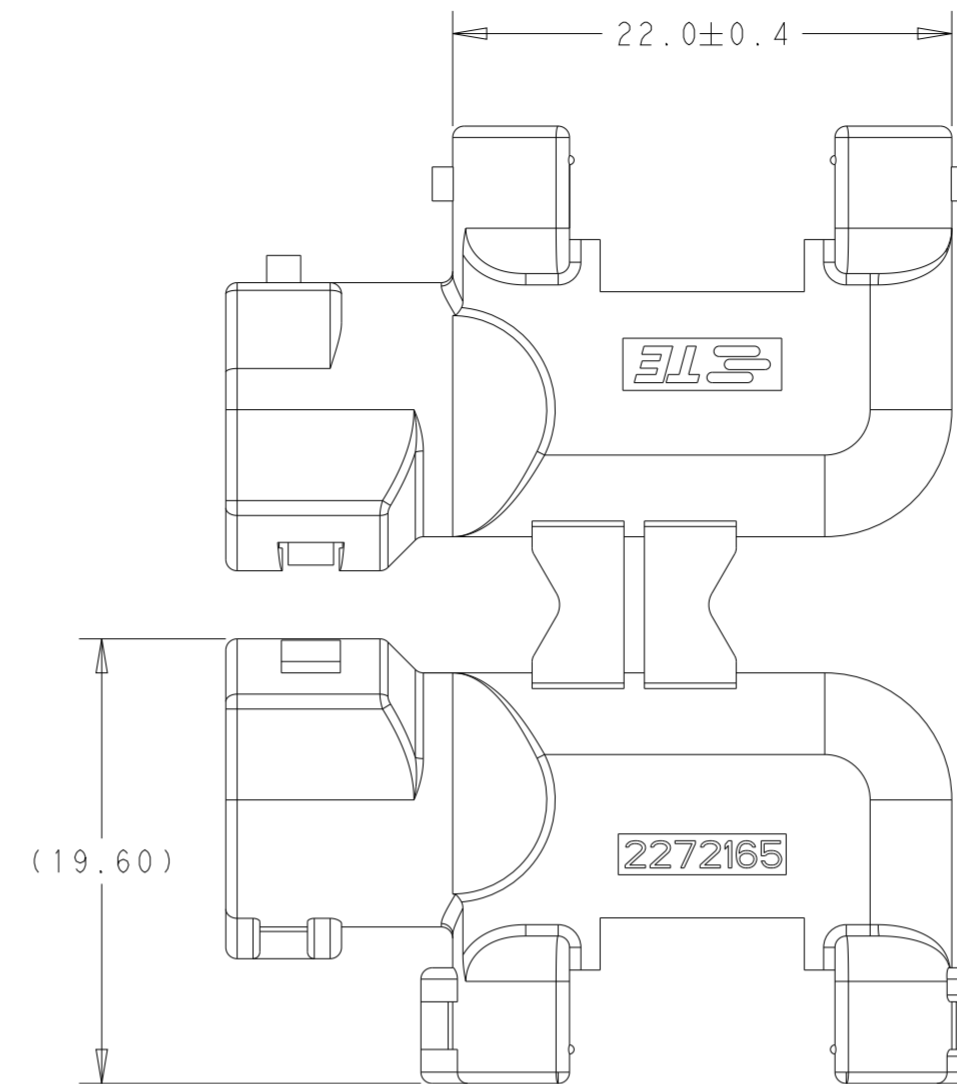
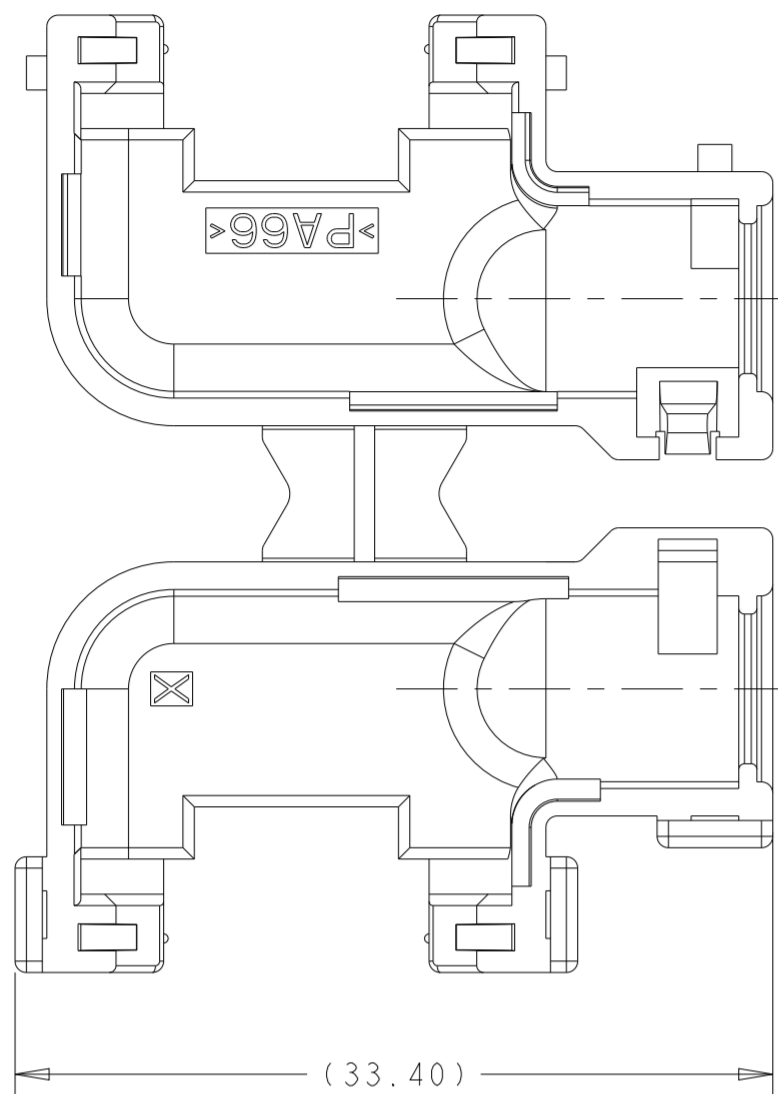
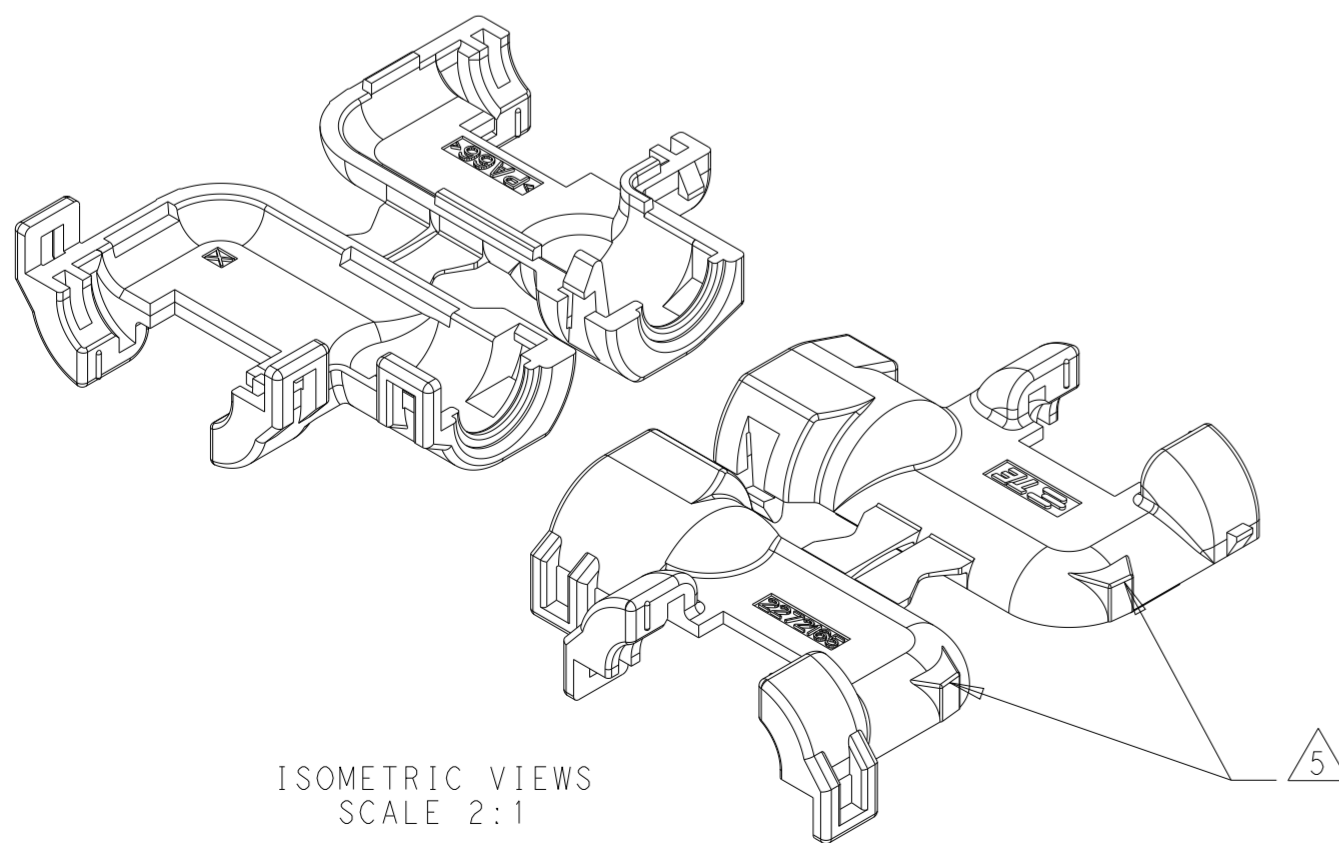


P	LTR	DESCRIPTION	DATE	DWN	APVD
A		RELEASED PER ECO-15-018256	18DEC2015	DD	MB
A1		REV PER ECN-22-182854	08NOV2022	JMS	SI



ISOMETRIC VIEWS  
SCALE 2:1

- 1 MATERIAL: PA66  
COLOR: BLACK
- 2. MATES WITH TE SINGLE-PIECE AND SELECT TWO-PIECE FEMALE CONNECTORS. PART IS NOT TO BE USED WITH 3P MALE CONNECTOR HOUSING CONTACT TE CUSTOMER SERVICE FOR SPECIFIC INQUIRIES
- 3. ACCOMMODATES WIRE CORRUGATED TUBING OF 5mm INNER DIAMETER
- 4. NOTE REMOVED
- 5 ALTERNATE CONSTRUCTION MOLD GATE LOCATION. DOES NOT AFFECT FORM, FIT OR FUNCTION OF THE PART.



ISOMETRIC VIEWS  
SCALE 2:1

2272165-1  
TE PART NUMBER

THIS DRAWING IS A CONTROLLED DOCUMENT.		DWN D. MEAD	11AUG2014	TE Connectivity	
DIMENSIONS:		CHK M. BRENNER	12AUG2014		
TOLERANCES UNLESS OTHERWISE SPECIFIED:		APVD M. BRENNER	12AUG2014		
mm		PRODUCT SPEC			
0 PLC ±- 1 PLC ±0.3 2 PLC ±0.10 3 PLC ±- 4 PLC ±- ANGLES ±1° FINISH -		NAME	MCON WIRE DRESS COVER 3P RIGHT ANGLE		
MATERIAL		APPLIC. SPEC		SIZE	CAGE CODE
1		WEIGHT	-	A2	00779
		CUSTOMER DRAWING		DRAWING NO	C-2272165
		SCALE	3:1	SHEET	1 OF 1
		REV	A1		