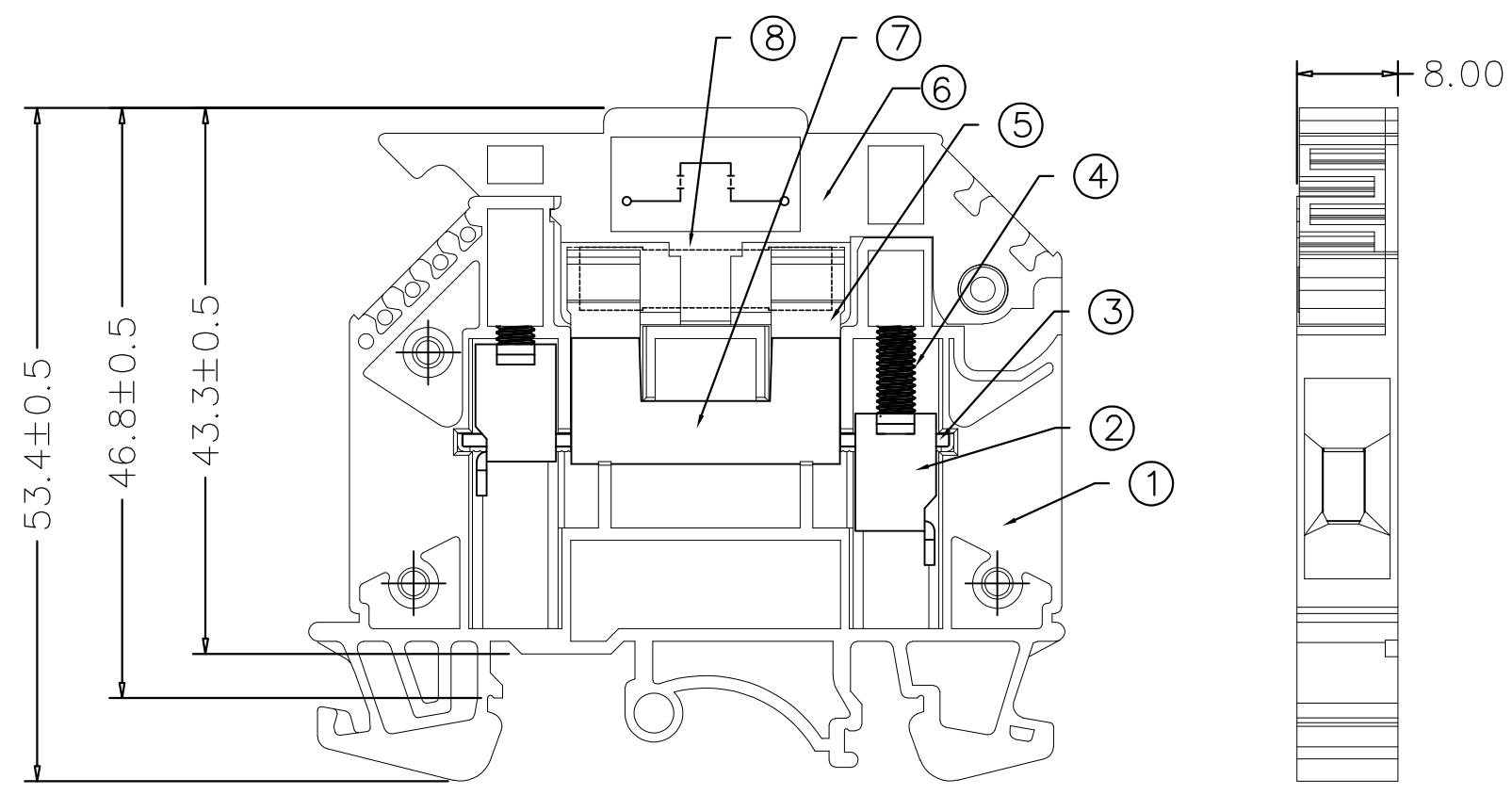
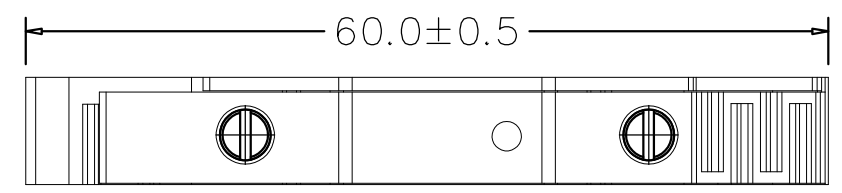
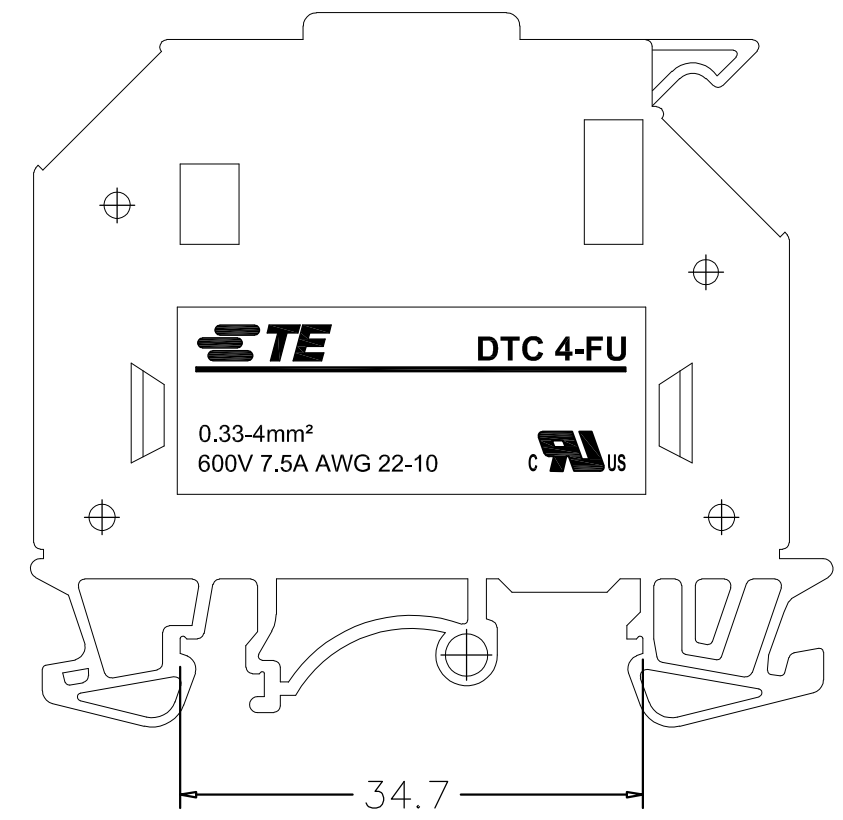


THIS DRAWING IS UNPUBLISHED. RELEASED FOR PUBLICATION
 © COPYRIGHT - By - ALL RIGHTS RESERVED.

REVISIONS				
P	LTR	DESCRIPTION	DATE	APVD
	A	OFFICIAL VERSION RELEASE	25MAR2017	F.Y X.X



ITEM	COMPONENTS	MATERIAL	Q'TY	PLATING
8	ROUND KNIFE SWITCH	COPPER ALLOY	1	Tin Plated
7	HOUSING 2	THERMOPLASTIC	1	
6	ROTATION BODY	THERMOPLASTIC	1	
5	TERMINAL	COPPER ALLOY	2	Tin Plated
4	SCREW	STEEL	2	Zinc Plated
3	SHIM	COPPER ALLOY	2	Tin Plated
2	CLAMP	STEEL	2	Zinc Plated
1	HOUSING 1	THERMOPLASTIC	1	



DTC 4-FU SSW	2271700-2	BLACK
	2271700-1	GRAY
TE SERIES No.	PART NUMBER	COLOR

NOTES:

1. Material: See table
2. Rated current & voltage : (UL)7.5Amp 600V , (IEC)20Amp 800V
3. Impulse withstand voltage: 6KV
4. Screw Size & Torque: M3 . 7.7 lbs-in (0.88Nm)
5. Wire strip length: 10-12mm
6. Suitable wire size : (UL)22 - 10 AWG , (IEC)0.33-4mm²
7. Switch operation cycles: 50times
8. Requirement for environmental substance must be compliance with ROHS and REACH.

THIS DRAWING IS A CONTROLLED DOCUMENT.		DWN FENCER YU 25MAR2017	TE Connectivity NAME 4mm ² WIRE 1 IN 1 OUT SCREW FEATURES OF DISCONNECT TYPE TERMINAL BLOCK		
DIMENSIONS: mm		CHK XIANG XU 25MAR2017			
TOLERANCES UNLESS OTHERWISE SPECIFIED:		PRODUCT SPEC 108-137172			RESTRICTED TO -
0 PLC ± 0.50 1 PLC ± 0.40 2 PLC ± 0.30 3 PLC ± - 4 PLC ± - ANGLES ± 3°		APPLICATION SPEC 114-137172			
MATERIAL -		WEIGHT 14.5 g			SIZE A3
FINISH -		CAGE CODE 00779			DRAWING NO C-2271700
CUSTOMER DRAWING			SCALE 1:1	SHEET 1 OF 1	REV A