

4

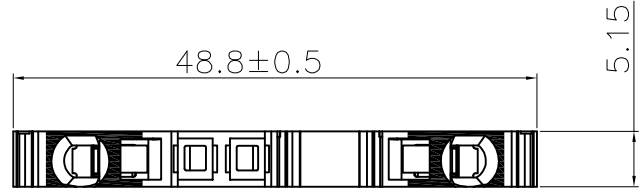
3

2

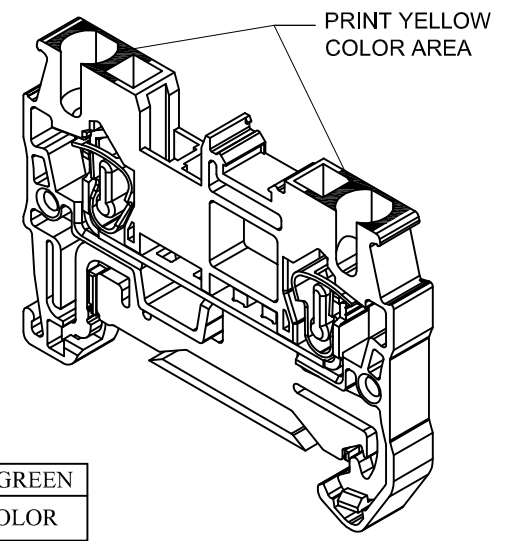
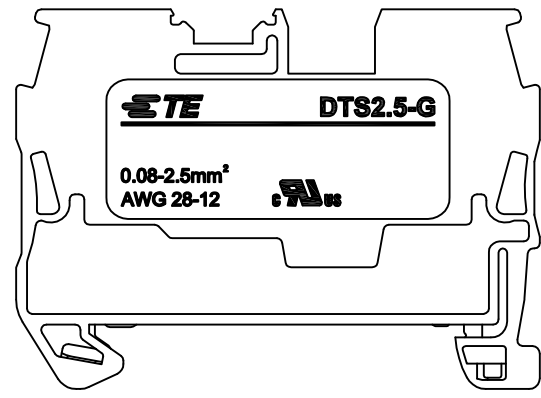
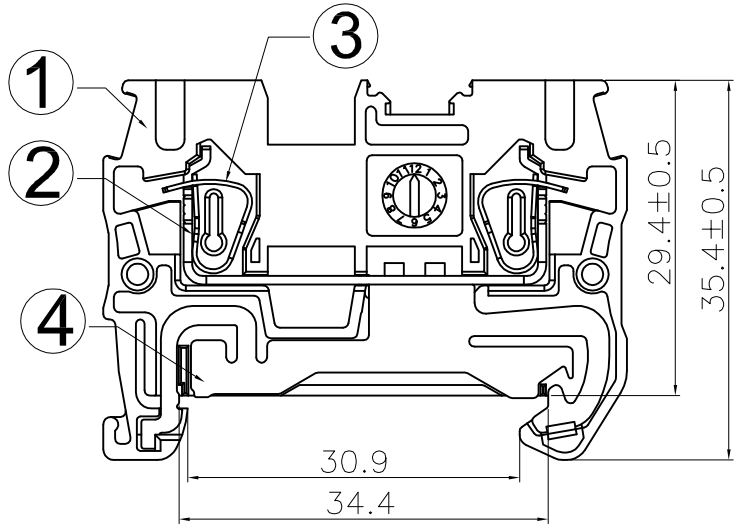
1

THIS DRAWING IS UNPUBLISHED. RELEASED FOR PUBLICATION
 © COPYRIGHT - By - ALL RIGHTS RESERVED.

REVISIONS					
P	LTR	DESCRIPTION	DATE	DWN	APVD
	A1	OFFICIAL VERSION RELEASE	18DEC2015	F.Y	X.X
	A1	PER ECR-16-006247	16JUN2016	F.Y	X.X



ITEM	COMPONENTS	MATERIAL	Q'TY	PLATING
4	GROUND TERMINAL	COPPER ALLOY	1	TIN PLATED
3	SPRING CLAMP	STAINLESS STEEL	2	
2	TERMINAL	COPPER	1	TIN PLATED
1	HOUSING	THERMOPLASTIC	1	



DTS 2.5-G	2271578-1	GREEN
TE SERIES No.	PART NUMBER	COLOR

- NOTE:**
1. Material: See Table
 2. Operation temperature : -40°C to +105°C
 3. Wire strip length: 8mm -10mm
 4. Suitable wire size : 28 - 12 AWG
 5. Requirement for environmental substance must be compliance with ROHS and REACH.
 6. Recommended support rail requirements refer to 114 application specification.

THIS DRAWING IS A CONTROLLED DOCUMENT.		DWN FENCER YU 16JUN2016	STE TE Connectivity	
		CHK KOBBY ZHAO 16JUN2016		
APVD XIANG XU 16JUN2016		NAME 2.5mm ² WIRE 1 IN 1 OUT SPRING CLAMP TYPE TERMINAL BLOCK WITH GROUND FUNCTION		
DIMENSIONS: mm		PRODUCT SPEC 108-137142		SIZE A3
TOLERANCES UNLESS OTHERWISE SPECIFIED: 0 PLC ± 0.50 1 PLC ± 0.40 2 PLC ± 0.30 3 PLC ± - 4 PLC ± - ANGLES ± 3°		APPLICATION SPEC 114-137138		CAGE CODE 00779
MATERIAL -		FINISH -		DRAWING NO C=2271578
		WEIGHT 9.10 g		RESTRICTED TO -
CUSTOMER DRAWING			SCALE 1:1	SHEET 1 OF 1
			REV A1	