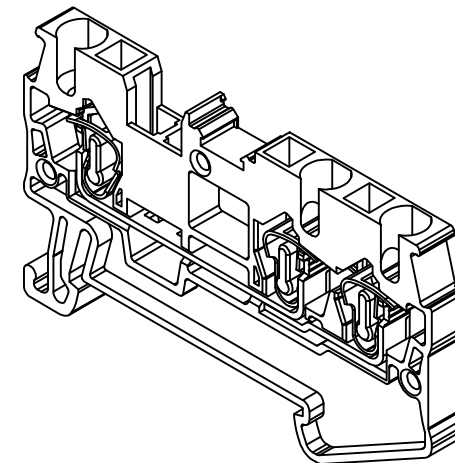
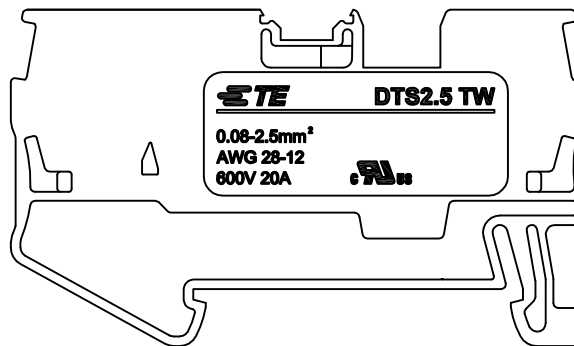
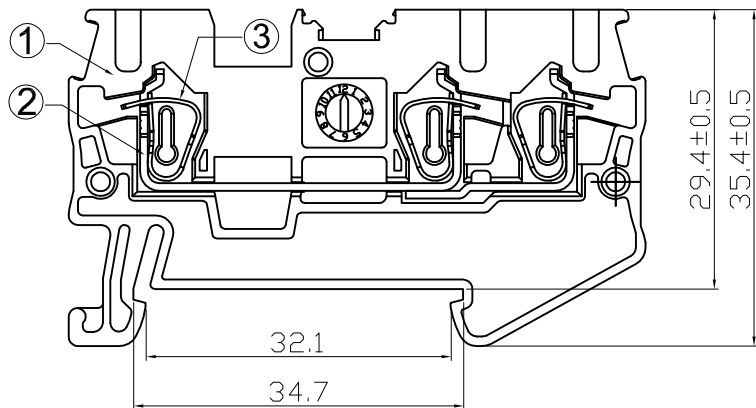
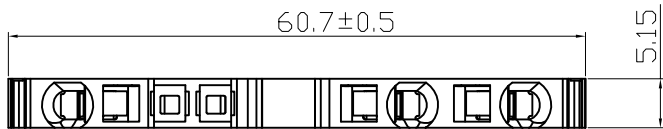


THIS DRAWING IS UNPUBLISHED. RELEASED FOR PUBLICATION
 © COPYRIGHT - By - ALL RIGHTS RESERVED.

REVISIONS					
P	LTR	DESCRIPTION	DATE	DWN	APVD
	A	OFFICIAL VERSION RELEASED	20SEP2015	F.Y	X.X
	A1	PER ECR-15-015708	28OCT2015	F.Y	X.X
	A2	PER ECR-16-006247	16JUN2016	F.Y	X.X



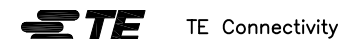
NOTE:

1. Material: See Table
2. Rated current & voltage : 20Amp 600V
3. Rated surge voltage: 8KV
4. Operation temperature : -40°C to +105°C
5. Wire strip length: 8mm -10mm
6. Suitable wire size : 28 - 12AWG
7. Requirement for environmental substance must be compliance with ROHS and REACH.
8. Recommended support rail requirements refer to 114 application specification.

DTS2.5 TW	2271556-5	BLACK
	2271556-4	RED
	2271556-3	ORANGE
	2271556-2	BLUE
	2271556-1	GRAY
TE SERIES No.	PART NUMBER	COLOR

ITEM	COMPONENTS	MATERIAL	Q'TY	PLATING
3	SPRING CLAMP	STAINLESS STEEL	3	
2	TERMINAL	COPPER	1	Tin Plated
1	HOUSING	THERMOPLASTIC	1	

DIMENSIONS:		TOLERANCES UNLESS OTHERWISE SPECIFIED:		DWN FENCER YU 16JUN2016		CHK KOBBY ZHAO 16JUN2016		APVD XIANG XU 16JUN2016		NAME		RESTRICTED TO	
mm				PRODUCT SPEC		APPLICATION SPEC		SIZE		CAGE CODE		DRAWING NO	
		0 PLC	± 0.50	108-137138		114-137138		A3		00779		C=2271556	
		1 PLC	± 0.35										
		2 PLC	± 0.30										
		3 PLC	± -										
MATERIAL		FINISH		WEIGHT		CUSTOMER DRAWING		SCALE		SHEET		REV	
-		-		0.000000		CUSTOMER DRAWING		1:1		1 OF 1		A2	



2.5mm² WIRE 1 IN 2 OUT SPRING CLAMP TYPE TERMINAL BLOCK