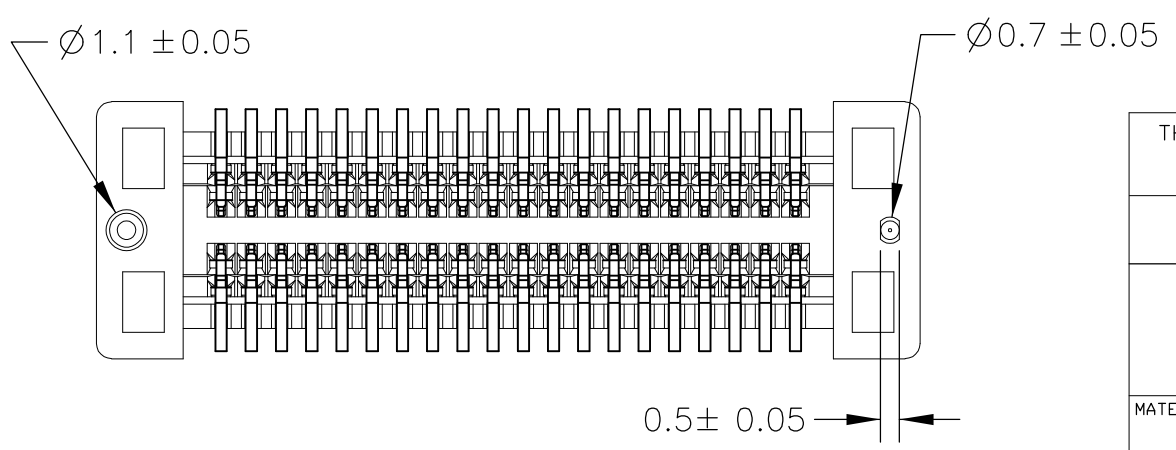
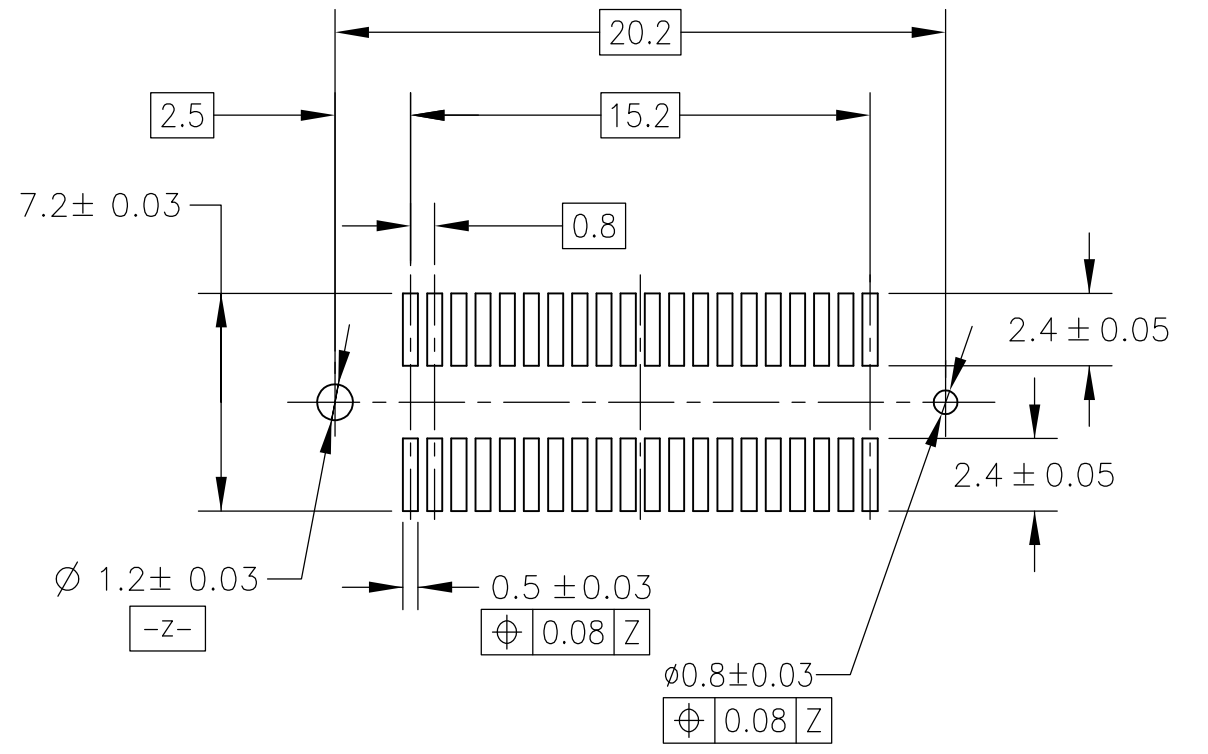
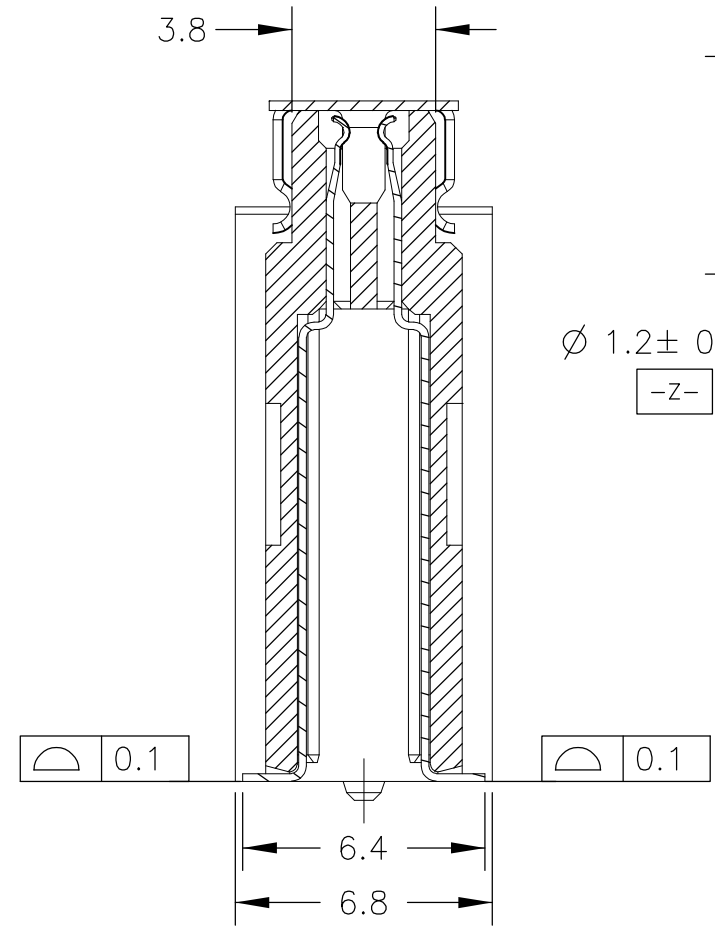
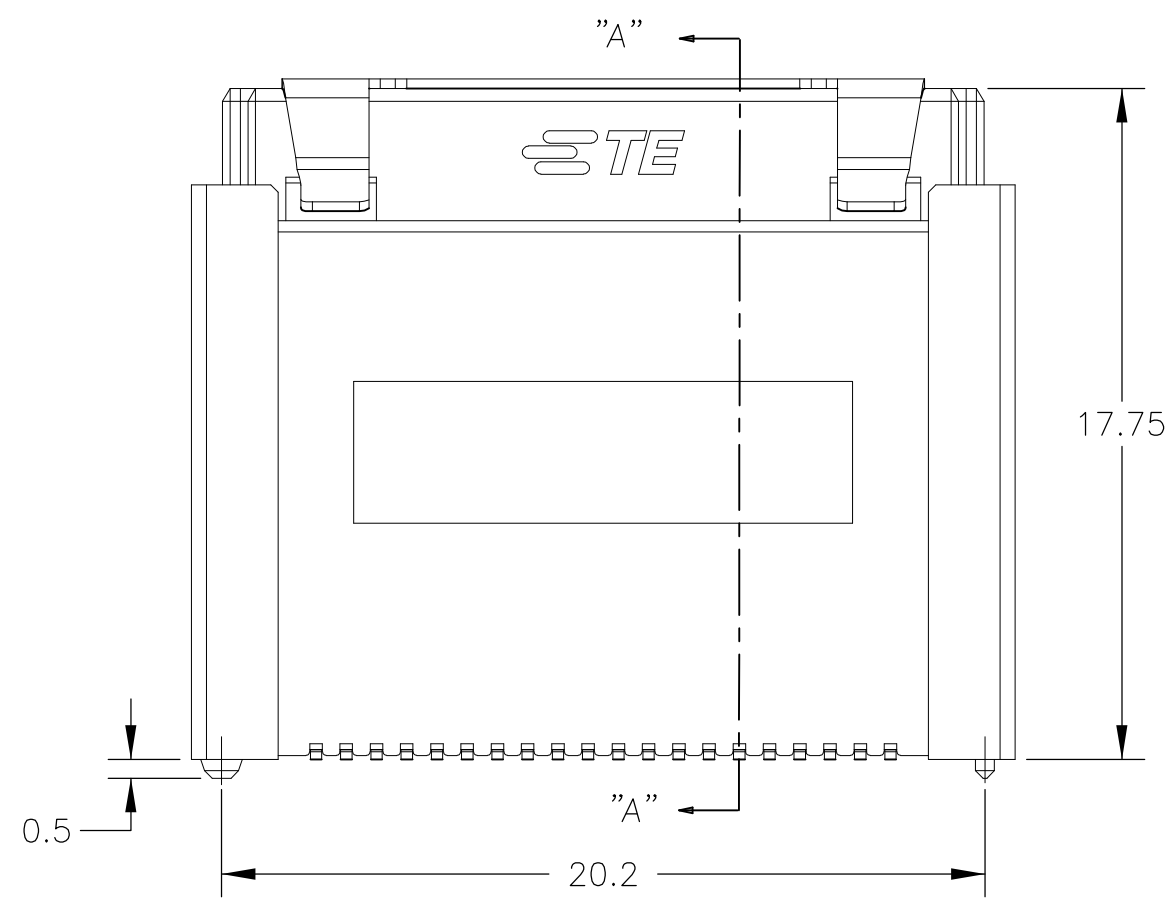
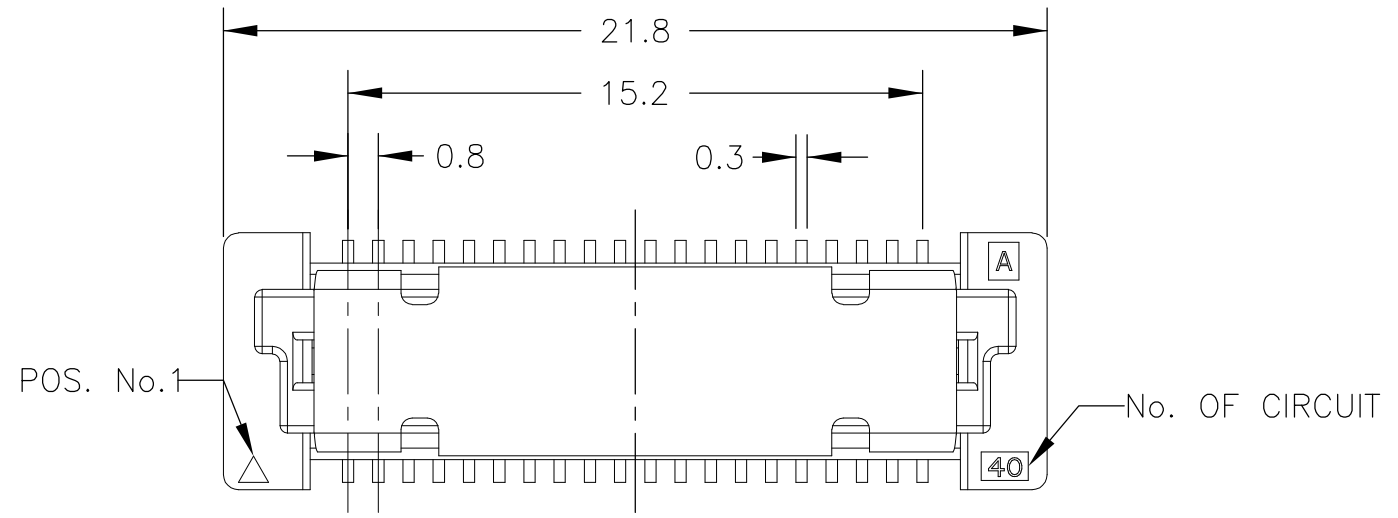


THIS DRAWING IS UNPUBLISHED. RELEASED FOR PUBLICATION 20  
 © COPYRIGHT 20 BY - ALL RIGHTS RESERVED.

LOC	DIST	REVISIONS			
P	LTR	DESCRIPTION	DATE	DWN	APVD
DY	-				



SECTION A-A

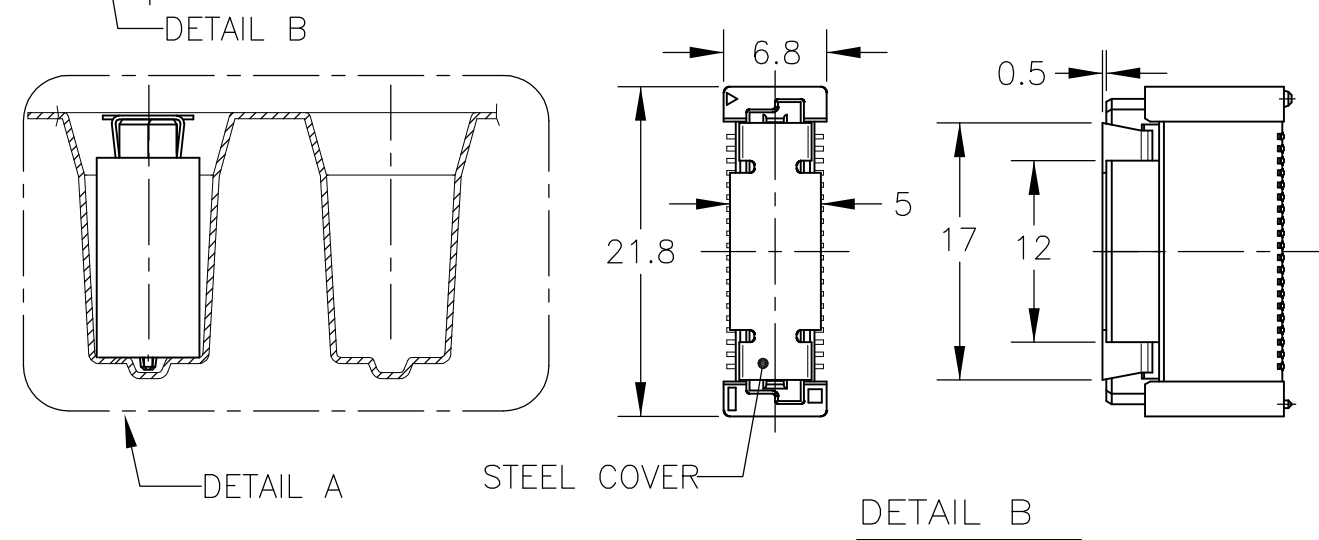
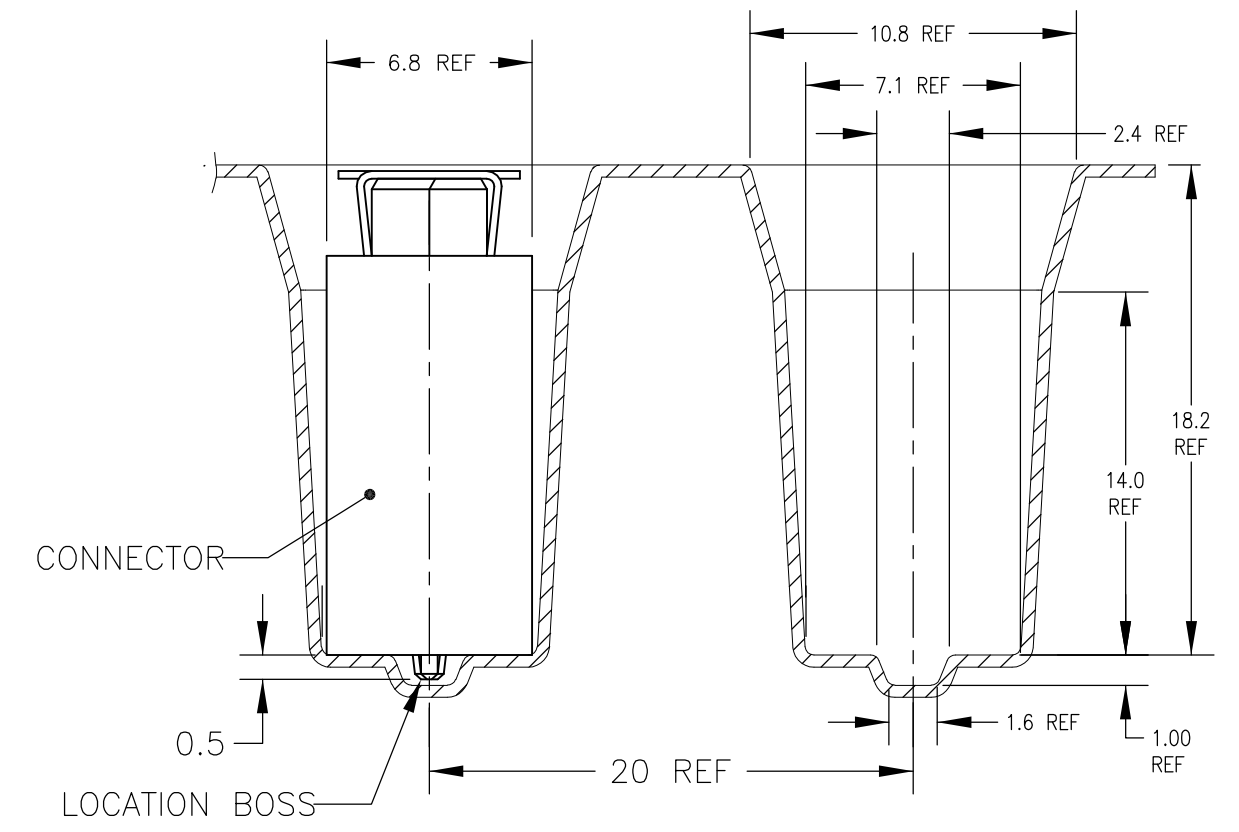
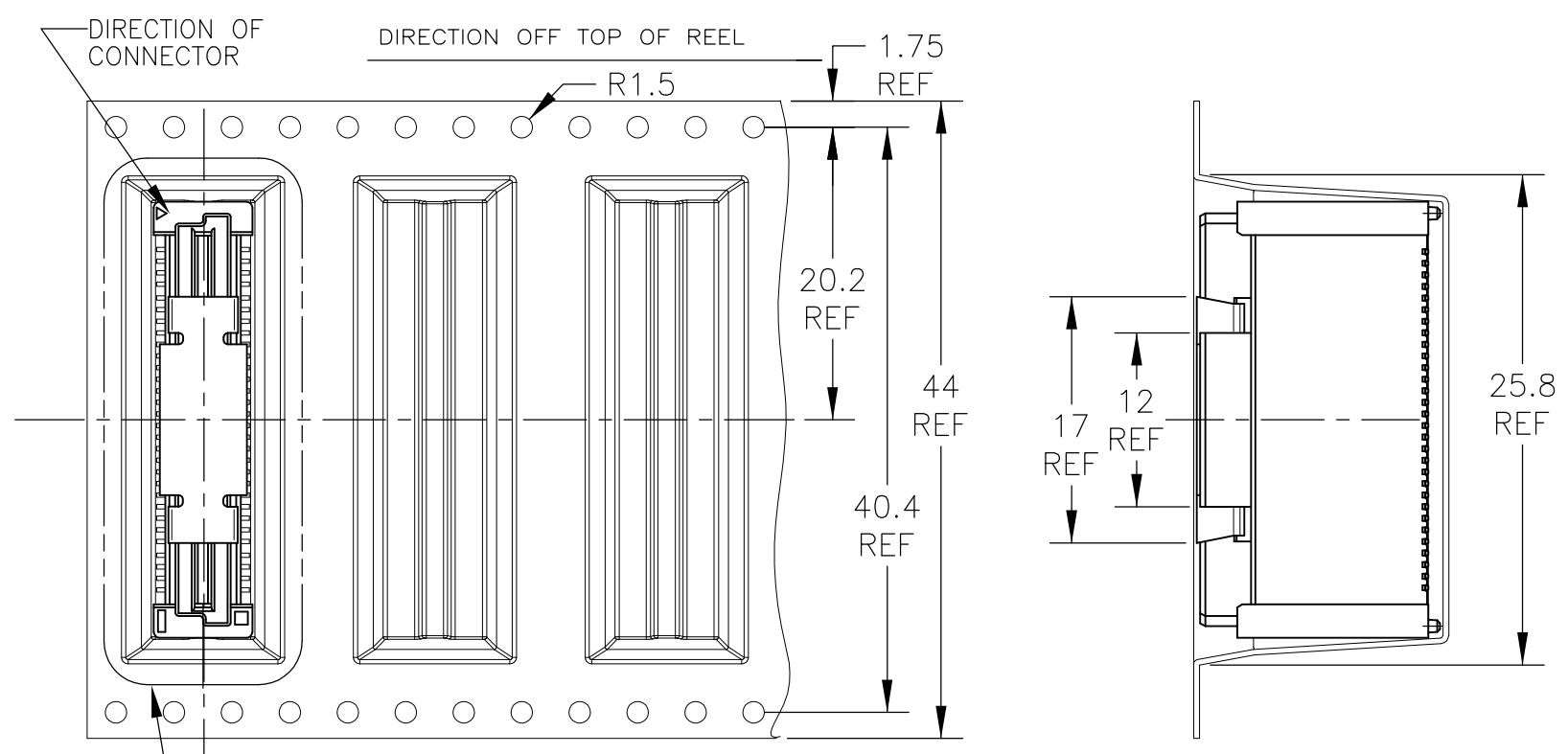
△3	100	40	2271041-2
△2	100	40	2271041-1
FINISH	QTY	POS	P/N

THIS DRAWING IS A CONTROLLED DOCUMENT.		DWN	26NOV2013
		ETHAN CHENG	
		CHK	27NOV2013
		KOBBY ZHAO	
		APVD	28NOV2013
		XU XIANG	
		PRODUCT SPEC	108-5390
		APPLICATION SPEC	114-5254
		WEIGHT	-
		Customer Drawing	
DIMENSIONS:	TOLERANCES UNLESS OTHERWISE SPECIFIED:		
mm			
	0 PLC ±-		
	1 PLC ±0.30		
	2 PLC ±0.25		
	3 PLC ±0.20		
	4 PLC ±-		
	ANGLES ±3°		
MATERIAL	FINISH		
1	SEE P/N TABLE		

<b>STE</b> TE Connectivity			
NAME			
FH 0.8mm BTB CONNECTOR RECEPTACLE 19mm HEIGHT WITH STEEL COVER, ON EMBOSS TAPE			
SIZE	CAGE CODE	DRAWING NO	RESTRICTED TO
A3	00779	©=2271041	-
SCALE		SHEET	REV
1:1		1 OF 2	C

THIS DRAWING IS UNPUBLISHED. RELEASED FOR PUBLICATION 20  
 © COPYRIGHT 20 BY - ALL RIGHTS RESERVED.

LOC	DIST	REVISIONS					
		P	LTR	DESCRIPTION	DATE	DWN	APVD
DY	-	B1	REVISED		22APR2014	E.C	K.Z



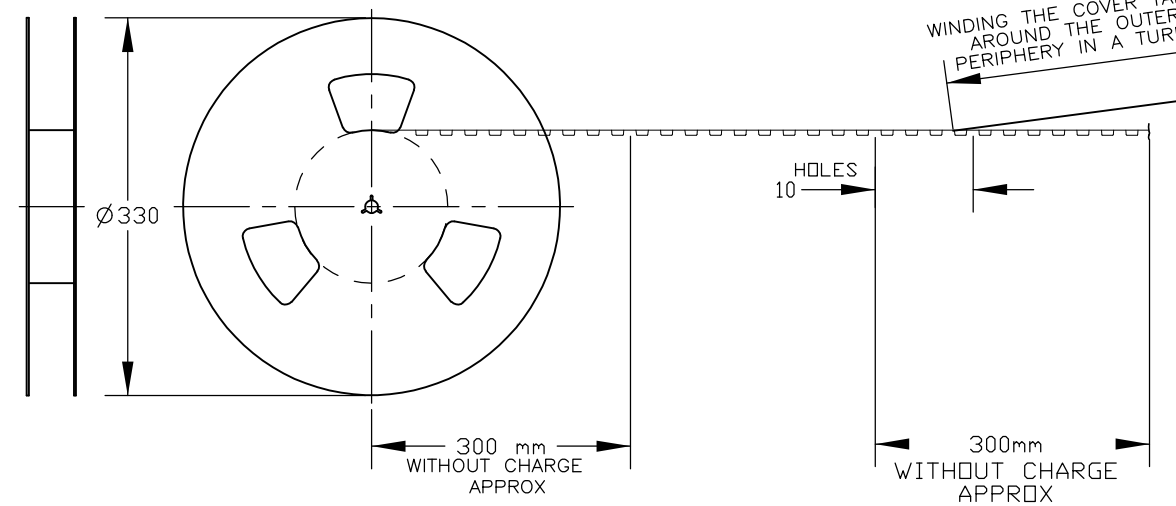
NOTES:

- 1 MATERIALS:  
HOUSING: L.C.P (HIGH TEMP THERMO PLASTIC) UL 94V-0, NATURAL.  
CONTACT: COPPER ALLOY.
- 2 FINISH:  
ENGAGEMENT AREA: 0.00076 MIN GOLD  
SOLDERING AREA: 0.002 MIN MATTE TIN  
UNDERCOAT: 0.0013 MIN NICKEL ALL OVER
- 3 FINISH:  
ENGAGEMENT AREA: 0.00025 MIN GOLD  
SOLDERING AREA: 0.002 MIN MATTE TIN  
UNDERCOAT: 0.0013 MIN NICKEL ALL OVER
4. POSITION SERIES:  
SEE P/N TABLE ON SHEET 2.

5. CONNECTOR MATED STACKED HEIGHT IS COMBINATION OF PLUG HEIGHT "Y" AND REC HEIGHT "X", LESS 5 mm.

STACKED HEIGHT = Y + X - 5

WINDING THE COVER TAPE AROUND THE OUTER PERIPHERY IN A TURN.



THIS DRAWING IS A CONTROLLED DOCUMENT.		DWN 26NOV2013 ETHAN CHENG		
		CHK 27NOV2013 KOBBOY ZHAO		
DIMENSIONS: mm		APVD 28NOV2013 XU XIANG	NAME FH 0.8mm BTB CONNECTOR RECEPTACLE 19mm HEIGHT WITH STEEL COVER, ON EMBOSS TAPE	
TOLERANCES UNLESS OTHERWISE SPECIFIED: 0 PLC ±- 1 PLC ±0.30 2 PLC ±0.25 3 PLC ±0.20 4 PLC ±- ANGLES ±3°		PRODUCT SPEC 108-5390	RESTRICTED TO	
MATERIAL 1		FINISH SEE P/N TABLE	APPLICATION SPEC 114-5254	SIZE A3
			WEIGHT -	CAGE CODE 00779
			Customer Drawing	DRAWING NO C-2271041
			SCALE 1:1	SHEET 2 OF 2
				REV C