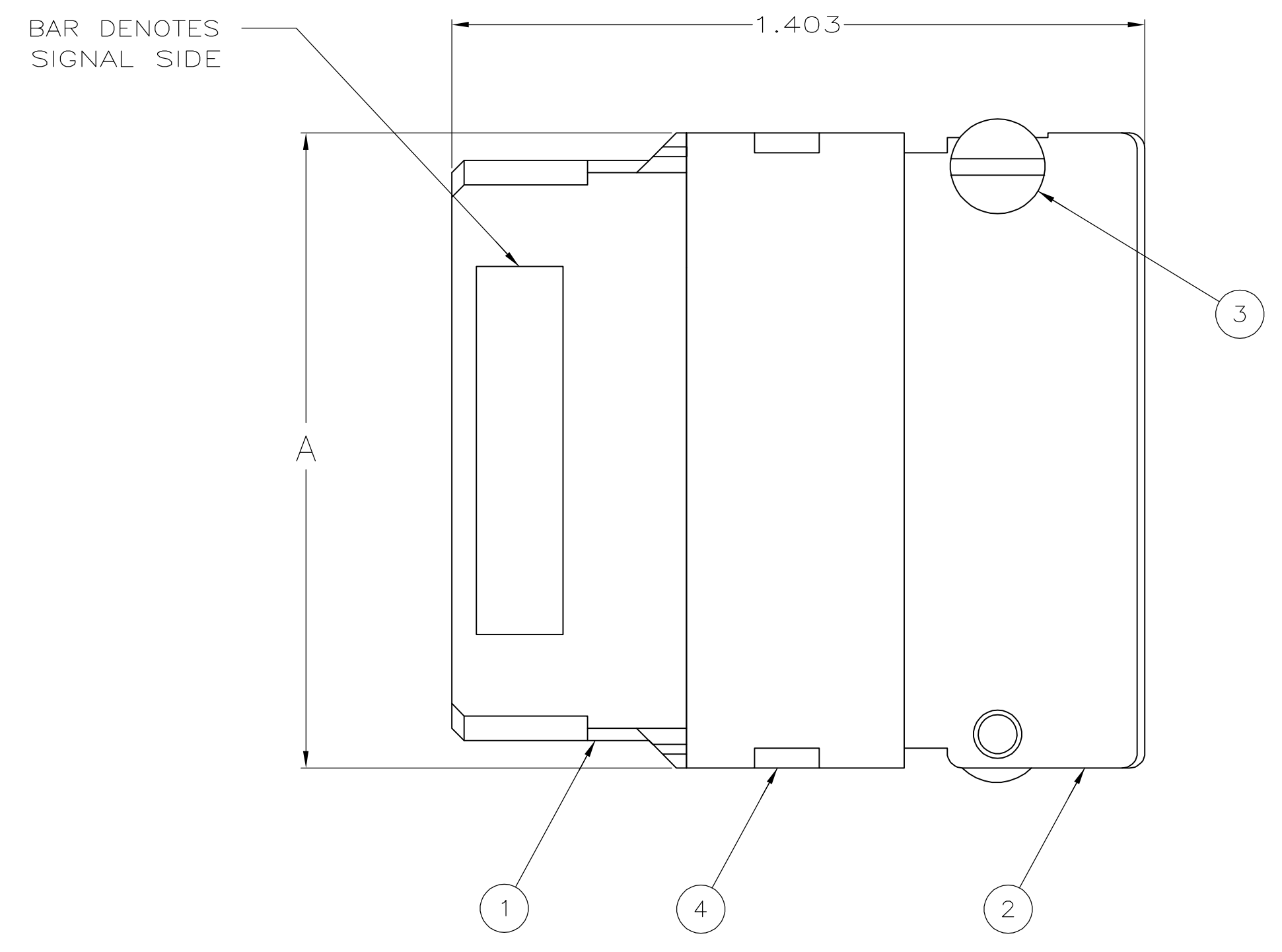
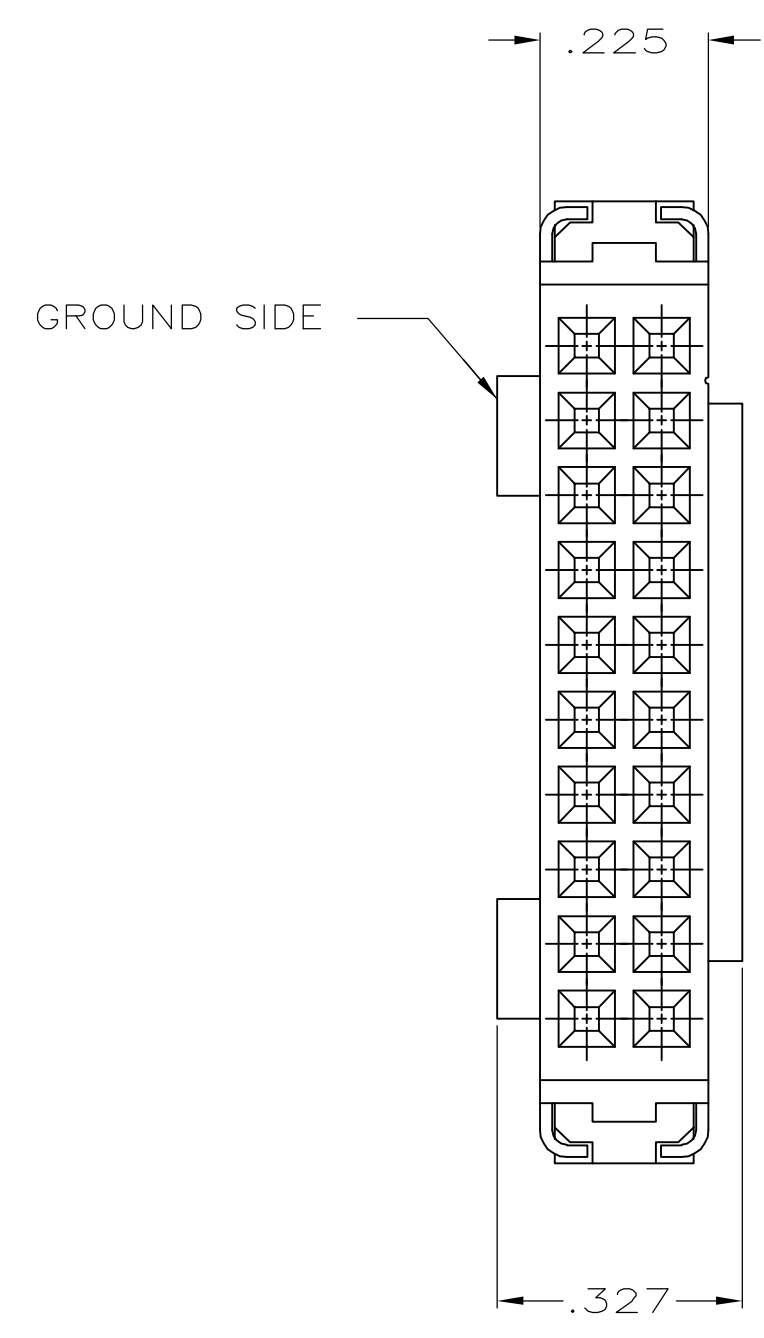
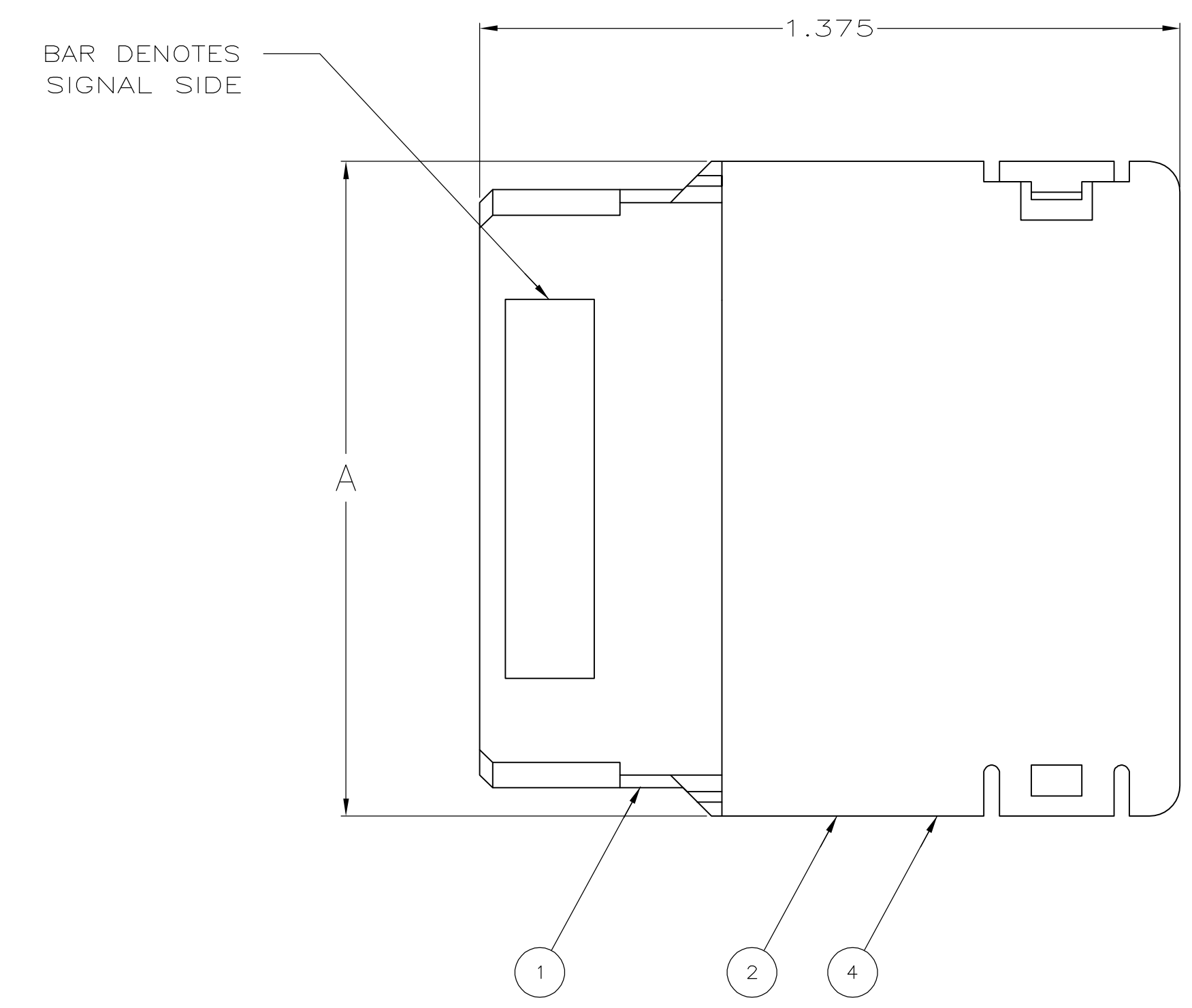
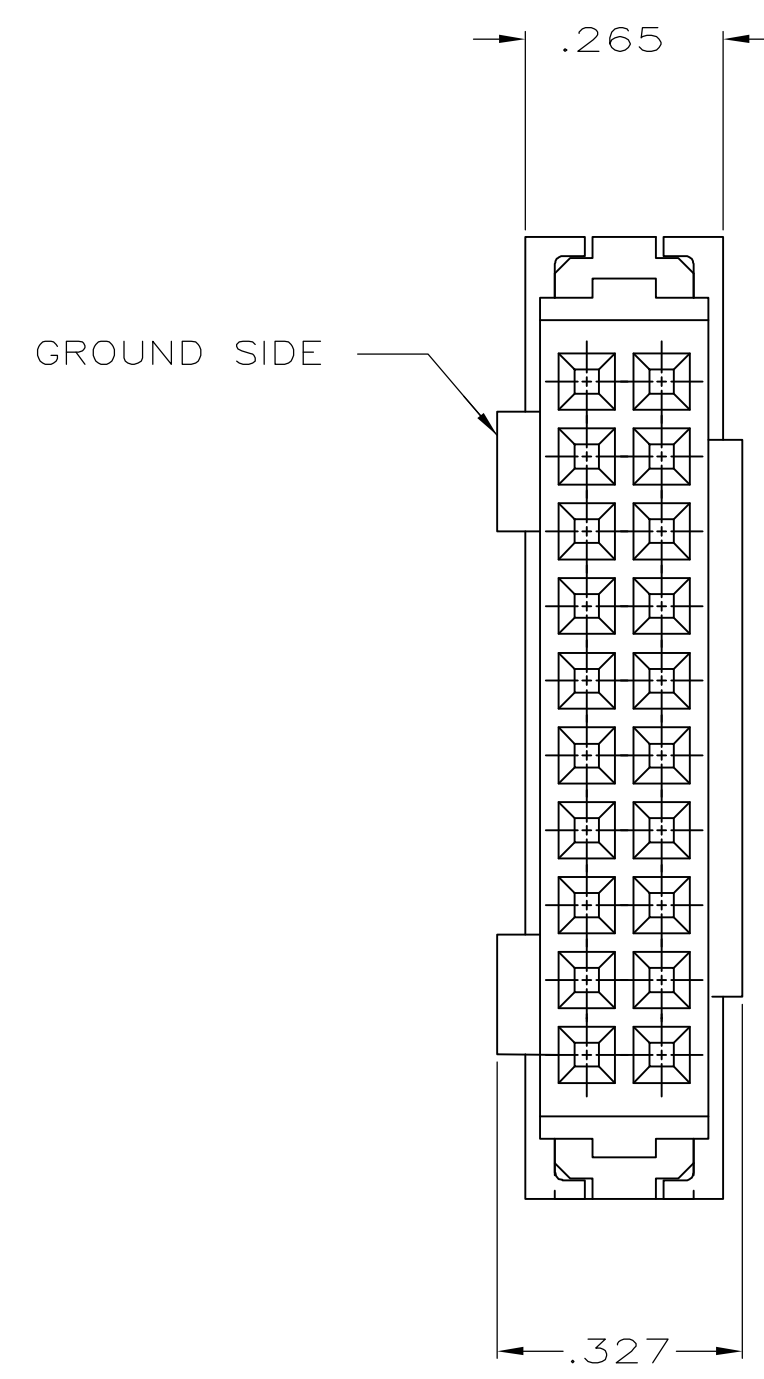


LOC		DIST		P		F		ZONE		LTR		REVISIONS		
CF	39											DESCRIPTION	DATE	APPD
											F	REVISED AND REDRAWN PER AJ-3922	10-37-89	JLG
											J	PER ECR-07-000697	10JAN07	JAK



CLAMP STYLE X



CLAMP STYLE Y

2.786	2-228097-3	3-22798-1	226306-5	I	X	2-226732-2	2-226733-2
2.286	1-228097-8	3-22798-1	226306-1	I	X	1-226732-7	1-226733-7
1.986	1-228097-5	3-22798-1	226306-2	I	X	1-226732-4	1-226733-4
1.826	1-228097-4	3-22798-1	1-226306-2	I	X	1-226732-3	1-226733-3
1.586	1-228097-1	3-22798-1	226306-3	I	X	1-226732-0	1-226733-0
1.286	228097-8	3-22798-1	226306-4	I	X	226732-7	226733-7
1.086	228097-6	-	226730-8	I	Y	226732-5	226733-5
.986	228097-5	-	226730-7	I	Y	226732-4	226733-4
.886	228097-4	-	226730-6	I	Y	226732-3	226733-3
.786	228097-3	-	226730-5	I	Y	226732-2	226733-2
.686	228097-2	-	226730-4	I	Y	226732-1	226733-1
A	④ FOAM QTY=2	③ SCREW QTY=2	② CLAMP HALF QTY=2	STYLE		① HOUSING ASSEMBLY QTY=1	PART NUMBER

DO NOT SCALE PRINT. UNLESS SPECIFIED DIMENSIONS IN mm [INCHES]		TOLERANCES ON :		NAME		PART NO	
2 PLC DEC ± -	3 PLC DEC ± -	ANGLES ± -		DR J.L.GROFT 10-17-89	CHK D.LAMAN 1-29-90	AMP INCORPORATED Harrisburg, Pa. 17105	
MATERIAL -	FINISH -	WEIGHT -		APPD J.HACKMAN 1-31-90	APPD D.LAMAN 2-1-90	HOUSING KIT, DETENT LATCHING, RIBBON COAX	
				APPLICATION SPEC -	PRODUCT SPEC -	SIZE D	CAGE CODE 00779
						SCALE 4:1	DRAWING NO 226733
							SHEET 1 OF 1