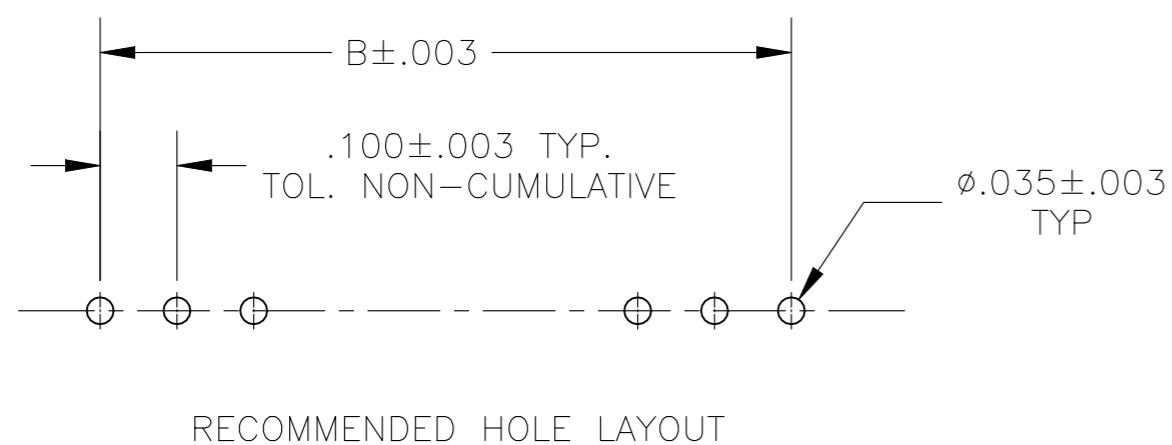
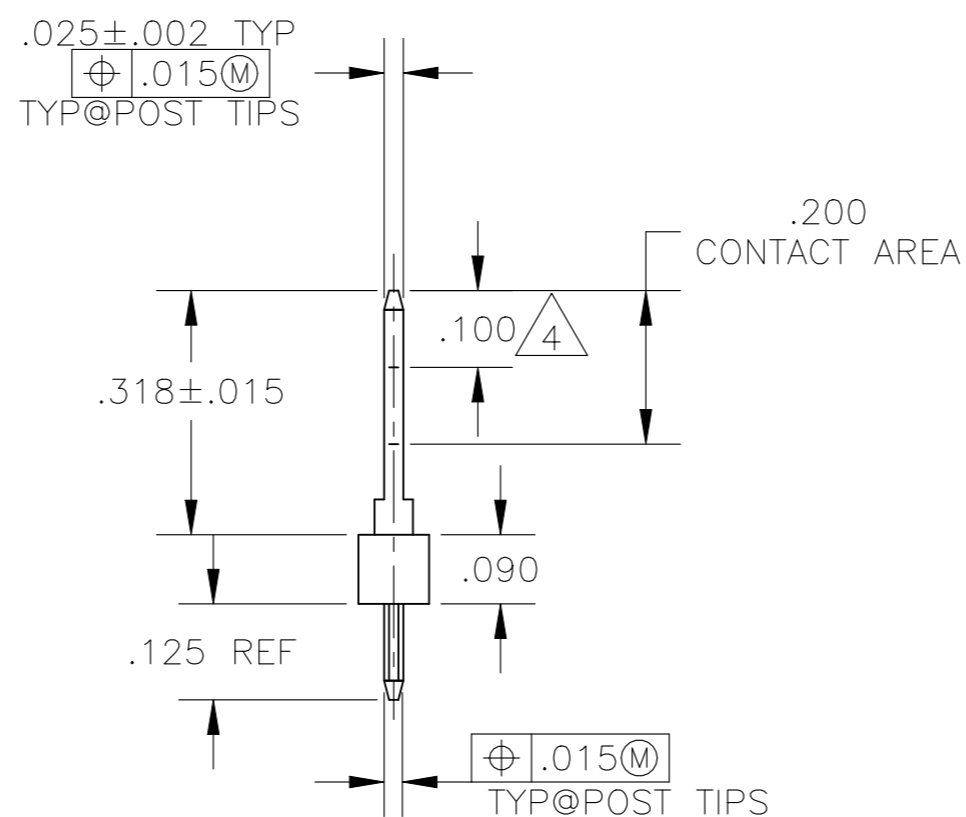
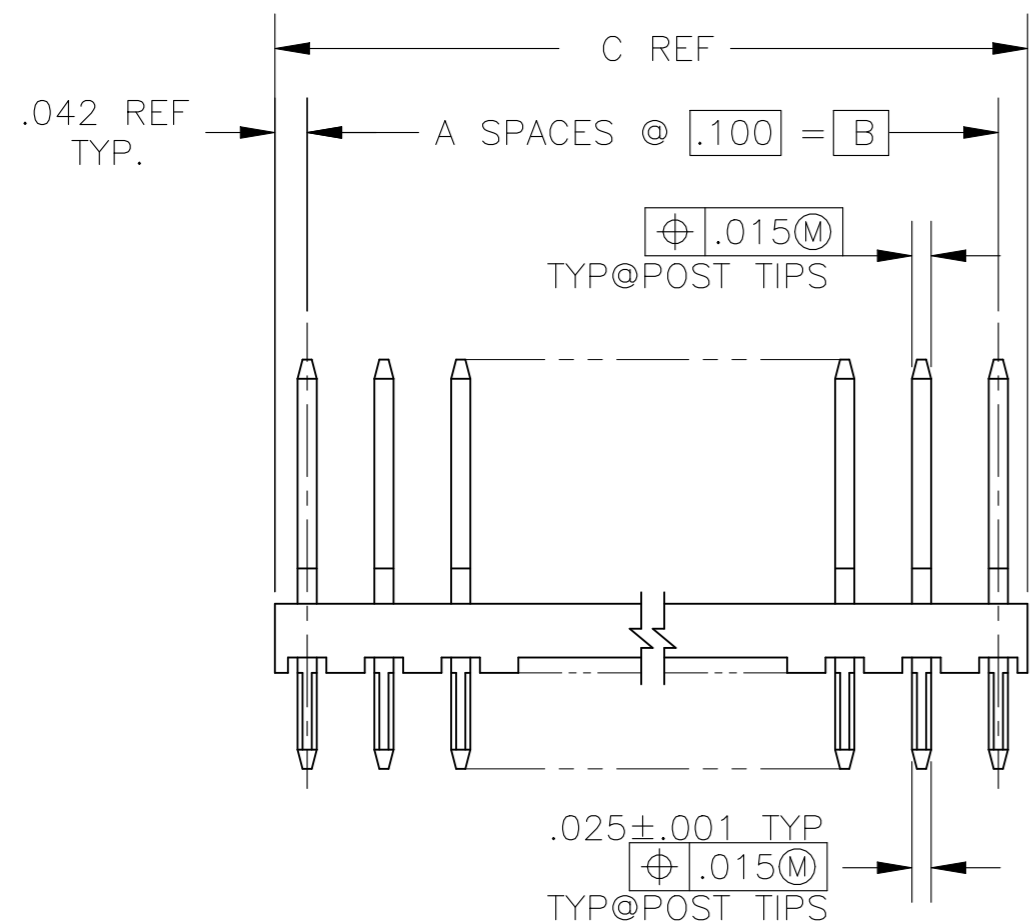


REVISIONS					
P	LTR	DESCRIPTION	DATE	DWN	APVD
	A1	REVISED PER ECN-24-247111	02FEB2024	RK	CAS



OBSOLETE	7	2	3.984	3.900	39	40	4-2267062-0
	7	2	3.884	3.800	38	39	3-2267062-9
	7	2	3.784	3.700	37	38	3-2267062-8
	7	2	3.684	3.600	36	37	3-2267062-7
	7	2	3.584	3.500	35	36	3-2267062-6
	7	2	3.484	3.400	34	35	3-2267062-5
	7	2	3.384	3.300	33	34	3-2267062-4
	7	2	3.284	3.200	32	33	3-2267062-3
	7	2	3.184	3.100	31	32	3-2267062-2
	7	2	3.084	3.000	30	31	3-2267062-1
	7	2	2.984	2.900	29	30	3-2267062-0
	7	2	2.884	2.800	28	29	2-2267062-9
	7	2	2.784	2.700	27	28	2-2267062-8
	7	2	2.684	2.600	26	27	2-2267062-7
	7	2	2.584	2.500	25	26	2-2267062-6
	7	2	2.484	2.400	24	25	2-2267062-5
	7	2	2.384	2.300	23	24	2-2267062-4
	7	2	2.284	2.200	22	23	2-2267062-3
	7	2	2.184	2.100	21	22	2-2267062-2
	7	2	2.084	2.000	20	21	2-2267062-1
OBSOLETE	7	2	1.984	1.900	19	20	2-2267062-0
	7	2	1.884	1.800	18	19	1-2267062-9
OBSOLETE	7	2	1.784	1.700	17	18	1-2267062-8
OBSOLETE	7	2	1.684	1.600	16	17	1-2267062-7
OBSOLETE	7	2	1.584	1.500	15	16	1-2267062-6
OBSOLETE	7	2	1.484	1.400	14	15	1-2267062-5
OBSOLETE	7	2	1.384	1.300	13	14	1-2267062-4
OBSOLETE	7	2	1.284	1.200	12	13	1-2267062-3
OBSOLETE	7	2	1.184	1.100	11	12	1-2267062-2
OBSOLETE	7	2	1.084	1.000	10	11	1-2267062-1
OBSOLETE	7	2	.984	.900	9	10	1-2267062-0
OBSOLETE	7	2	.884	.800	8	9	2267062-9
OBSOLETE	7	2	.784	.700	7	8	2267062-8
OBSOLETE	7	2	.684	.600	6	7	2267062-7
OBSOLETE	7	2	.584	.500	5	6	2267062-6
OBSOLETE	7	2	.484	.400	4	5	2267062-5
OBSOLETE	7	2	.384	.300	3	4	2267062-4
OBSOLETE	7	2	.284	.200	2	3	2267062-3
OBSOLETE	7	2	.184	.100	1	2	2267062-2
OBSOLETE	7	2	.084	-	-	1	2267062-1


FINISH	C	B	A	NO OF POS	PART NO
--------	---	---	---	-----------	---------

- 1 TRUE POSITION TOLERANCE OF POST TIPS APPLIES WHEN HEADERS ARE HELD FLAT AGAINST PC BOARD.
- 2 .000015 GOLD IN CONTACT AREA, MATTE TIN ON SOLDER AREA, ALL OVER .000050 NICKEL.
- 3 .000003 GOLD OVER .000012 Pd/Ni IN CONTACT AREA, MATTE TIN ON SOLDER AREA, ALL OVER .000050 NICKEL.
- 4 POINT OF MEASUREMENT FOR PLATING THICKNESS.
- 5 PARTS PACKAGED IN SINGLE TUBES.
- 6 HOUSING: FLAME RETARDANT THERMOPLASTIC, COLOR-BLACK
POST: PHOS.BRONZE.
- 7 PRELIMINARY PART NUMBER NOT RELEASED FOR PRODUCTION.

THIS DRAWING IS A CONTROLLED DOCUMENT.		DWN NAGALAKSHMI K 03FEB2014	TE Connectivity Ltd.	
DIMENSIONS: INCHES		CHK MILLER MICHAEL 03FEB2014		
TOLERANCES UNLESS OTHERWISE SPECIFIED:		APVD MILLER MICHAEL 03FEB2014	NAME HEADER ASS'Y MOD II, .025 SQ POST, SINGLE ROW, .100 C/L, STACKABLE	
0 PLC ± - 1 PLC ± - 2 PLC ± - 3 PLC ± .005 4 PLC ± - ANGLES ± -		PRODUCT SPEC	RESTRICTED TO	
MATERIAL		FINISH	SIZE A2	CAGE CODE 00779
CUSTOMER DRAWING		WEIGHT	DRAWING NO C=2267062	SCALE 4:1
			SHEET 1 OF 2	REV A1

REVISIONS					
P	LTR	DESCRIPTION	DATE	DWN	APVD
-	-	SEE SHEET 1	-	-	-

FINISH	C	B	A	NO OF POS	PART NO	
OBSOLETE	△/3	3.984	3.900	39	40	9-2267062-0
△/7	△/3	3.884	3.800	38	39	8-2267062-9
△/7	△/3	3.784	3.700	37	38	8-2267062-8
△/7	△/3	3.684	3.600	36	37	8-2267062-7
△/7	△/3	3.584	3.500	35	36	8-2267062-6
△/7	△/3	3.484	3.400	34	35	8-2267062-5
△/7	△/3	3.384	3.300	33	34	8-2267062-4
△/7	△/3	3.284	3.200	32	33	8-2267062-3
△/7	△/3	3.184	3.100	31	32	8-2267062-2
△/7	△/3	3.084	3.000	30	31	8-2267062-1
△/7	△/3	2.984	2.900	29	30	8-2267062-0
△/7	△/3	2.884	2.800	28	29	7-2267062-9
△/7	△/3	2.784	2.700	27	28	7-2267062-8
△/7	△/3	2.684	2.600	26	27	7-2267062-7
△/7	△/3	2.584	2.500	25	26	7-2267062-6
△/7	△/3	2.484	2.400	24	25	7-2267062-5
△/7	△/3	2.384	2.300	23	24	7-2267062-4
△/7	△/3	2.284	2.200	22	23	7-2267062-3
△/7	△/3	2.184	2.100	21	22	7-2267062-2
△/7	△/3	2.084	2.000	20	21	7-2267062-1
OBSOLETE	△/3	1.984	1.900	19	20	7-2267062-0
△/7	△/3	1.884	1.800	18	19	6-2267062-9
OBSOLETE	△/3	1.784	1.700	17	18	6-2267062-8
OBSOLETE	△/3	1.684	1.600	16	17	6-2267062-7
OBSOLETE	△/3	1.584	1.500	15	16	6-2267062-6
OBSOLETE	△/3	1.484	1.400	14	15	6-2267062-5
OBSOLETE	△/3	1.384	1.300	13	14	6-2267062-4
OBSOLETE	△/3	1.284	1.200	12	13	6-2267062-3
OBSOLETE	△/3	1.184	1.100	11	12	6-2267062-2
OBSOLETE	△/3	1.084	1.000	10	11	6-2267062-1
OBSOLETE	△/3	.984	.900	9	10	6-2267062-0
OBSOLETE	△/3	.884	.800	8	9	5-2267062-9
OBSOLETE	△/3	.784	.700	7	8	5-2267062-8
OBSOLETE	△/3	.684	.600	6	7	5-2267062-7
OBSOLETE	△/3	.584	.500	5	6	5-2267062-6
OBSOLETE	△/3	.484	.400	4	5	5-2267062-5
OBSOLETE	△/3	.384	.300	3	4	5-2267062-4
OBSOLETE	△/3	.284	.200	2	3	5-2267062-3
OBSOLETE	△/3	.184	.100	1	2	5-2267062-2
OBSOLETE	△/3	.084	-	-	1	5-2267062-1

THIS DRAWING IS A CONTROLLED DOCUMENT.		DWN 03FEB2014 NAGALAKSHMI K	 TE Connectivity Ltd.	
DIMENSIONS: INCHES		CHK 03FEB2014 MILLER MICHAEL		
TOLERANCES UNLESS OTHERWISE SPECIFIED:		APVD 03FEB2014 MILLER MICHAEL	NAME	
0 PLC ± -		PRODUCT SPEC	HEADER ASS'Y MOD II, .025 SQ POST, SINGLE ROW, .100 C/L, STACKABLE	
1 PLC ± -		APPLICATION SPEC	SIZE	RESTRICTED TO
2 PLC ± -		WEIGHT	A2	-
3 PLC ± .005		CUSTOMER DRAWING	CAGE CODE	SCALE
4 PLC ± -			00779	4:1
ANGLES ± -			DRAWING NO	SHEET
FINISH			C=2267062	2 of 2
			REV	A1