

PART NUMBER	REVISION	DESCRIPTION	FEED TYPE
2266814-1	B	FINE CRIMP HEIGHT ADJUST	MECHANICAL
2266814-2	B	FINE CRIMP HEIGHT ADJUST	PNEUMATIC
7-2266814-1	B	MECHANICAL AND CRIMP TOOLING KIT	MECHANICAL
7-2266814-2	B	PNEUMATIC AND CRIMP TOOLING KIT	PNEUMATIC
7-2266814-7	A	CRIMP TOOLING KIT	-

ATLANTIC VERSION TERMINATOR INTERFACE ADAPTER



APPLICATOR DATA		
CRIMP	SIZE	TYPE
WIRE	1.47 mm [.058]	F
INSUL	1.65 mm [.065]	F

APPLICATOR INSTRUCTIONS
408-35042

TERMINAL DATA: JST TERMINAL		JST CRIMP SPECIFICATION	
TERMINAL NAME: TERMINAL			
WIRE STRIP LENGTH		INSULATION DIAMETER RANGE	
2.30-3.10 mm [.091-.122 IN]		Ø1.20-1.80 mm [.047-.071 IN]	
TERMINAL APPLICATION SPECIFICATION H4009/017-00 Rev 01-29-01			
TERMINALS APPLIED			
TE TERMINAL	JST TERMINAL	TE TERMINAL	JST TERMINAL
286860-1	SHF-001T-0.8BS	286860-4	SHF-001-0.8BS
286860-2	SHF-001T-0.8SS	286860-5	SHF-001G1-0.8BS
286860-3	SHF-001-0.8SS		

WIRE SIZE	CRIMP HEIGHT mm [INCH]	CRIMP HEIGHT REFERENCE SETTING
22 AWG	0.80 +/- 0.05 [.031 +/- .002]	5.1
24 AWG	0.75 +/- 0.05 [.030 +/- .002]	5.6
26 AWG	0.70 +/- 0.05 [.028 +/- .002]	6.2
28 AWG	0.68 +/- 0.025 [.027 +/- .001]	6.4

- RECOMMENDED SPARE PARTS
- REFER TO SUPPLIED INSTRUCTION SHEET FOR CLEANING, LUBRICATION AND STORAGE OF APPLICATOR.
- APPLY PART NUMBER 2-23419-6 LOCTITE TO THREADS OF ITEM 242.
- CRIMP HEIGHT REFERENCE SETTING WAS THE SETTING USED WHEN THE APPLICATOR WAS QUALIFIED AT THE FACTORY. ADJUSTMENT MAY BE NECESSARY WHEN RUNNING APPLICATOR IN THE FIELD.
- UNLESS SPECIFIED OTHERWISE TORQUE VALUES SHALL BE USED PER DOCUMENT, 101-35000.

***WARNING**
ON INSTALLATION, SET WIRE DISC TO CRIMP HEIGHT REFERENCE SETTING FOR LARGEST WIRE SIZE. CRIMP HEIGHT REFERENCE SETTINGS GREATER THAN THE VALUE SHOWN MAY CAUSE DAMAGE TO THE CRIMP TOOLING, REFER TO THE INSTRUCTION SHEET FOR PROPER SETUP AND ADJUSTMENTS.

LOC	DIST	REVISIONS					
		P	LTN	DESCRIPTION	DATE	OWN	APVD
A	66			RELEASED	11AUG2015	GH	GB
				ECR-18-016638	22OCT2018	MZ	KZ

-	1	-	1	-	2119640-1	PUSH ROD, AIR FEED	250
-	1	-	1	-	1803259-1	BUSHING, FLANGED	249
-	1	-	1	-	2119641-1	FEED CAM, AIR FEED	248
-	1	1	1	1	2119082-4	CAM, SNAIL, INSULATION ADJUSTMENT	244
-	1	1	1	1	2079764-1	WASHER, WAVE SPRING, CREST-TO-CREST	243
-	1	1	1	1	2119083-1	RETAINER, INSULATION DIAL	242
-	1	1	1	1	7-18023-7	SCR, SKT HD CAP M3 X 4.0	241
-	-	1	-	1	2119580-1	MECHANICAL FEED ASSEMBLY	239
-	1	-	1	-	2063440-1	AIR FEED MODULE	238
-	2	-	2	-	21045-3	RING, RETAIN, EXTERN, 3/16 CRESCENT	172
-	REF	REF	REF	REF	994970-2	COUNTER, MAGNETIC	164
-	1	-	1	-	240638-1	SPRING, FEED FINGER	163
-	1	-	1	-	3-23627-7	PIN, RETAIN, GRVD, 3/16 X .854	137
-	1	-	1	-	2119799-1	HOLDER, FEED FINGER, AF	136
-	1	1	1	1	2844908-1	SCREW, LOCKING	99
-	1	1	1	1	2844907-1	POST, LOCKING	98
-	1	1	1	1	455888-5	SPACER, CRIMPER	82
-	1	1	1	1	1803607-1	DOCUMENTATION PACKAGE	71
-	1	1	1	1	2119791-5	DEPRESSOR, WIRE	70
-	1	1	1	1	2119740-1	TAG, IDENTIFICATION	67
-	2	2	2	2	2168078-1	SCREW, DRIVE, RH, RoHS, 2 x .188	66
-	1	1	1	1	2168083-2	SCR, SKT HD CAP, RoHS, M4 X 8.0	60
-	1	1	1	1	5-18022-5	SCR, HEX HD CAP, M4 X 6.0	59
-	1	1	1	1	1338685-1	PAWL, FEED	56
-	4	4	4	4	2168083-3	SCR, SKT HD CAP, RoHS, M4 X 12.0	54
-	1	2	1	2	18023-9	SCR, SKT HD CAP M4 X 6.0	49
-	-	1	-	1	2119652-1	FEED CAM, PRE FEED	48
-	-	1	-	1	2119653-1	FEED CAM, POST FEED	47
-	1	1	1	1	1803583-9	APPLICATOR BASIC ASSEMBLY, SF	46
-	1	1	1	1	1803515-1	RAM ASSEMBLY, SF ATLANTIC	44
-	1	1	1	1	1803602-1	SCR, BHSC, RoHS (M8 X 25)	41
-	1	1	1	1	2-1752356-5	SUPPORT, TERMINAL	34
-	2	2	2	2	2079383-5	SCR, BHSC, RoHS (M4 X 20)	33
-	2	2	2	2	2-2844962-6	SPACER, CYLINDRICAL, STRIP GUIDE	30
-	1	1	1	1	2844992-1	ASSEMBLY, STRIP GUIDE	29
-	1	1	1	1	1320928-2	STRIP GUIDE	24
-	1	1	1	1	2168083-2	SCR, SKT HD CAP, RoHS, M4 X 8.0	21
-	2	2	2	2	1-18028-2	WASHER, FLAT, REG M4	20
-	1	1	1	1	2119533-1	STRIPPER, SIDE FEED	19
-	1	1	1	1	2119806-1	INSERT, SHEAR	13
-	1	1	1	1	3-22280-3	SPRING, COMPRESSION	12
-	1	1	1	1	1-356885-4	STOP, SHEAR	11
-	1	1	1	1	2119805-1	SHEAR HOLDER, FRONT	10
-	1	1	1	1	1803095-3	FLOATING SHEAR, FRONT	9
1	2	2	1	1	5-1803171-0	ANVIL, COMBINATION	8
-	-	-	-	-	-	-	7
-	-	-	-	-	-	-	6
-	1	1	1	1	2119757-5	DEPRESSOR, SHEAR	5
-	1	1	1	1	238011-8	BLOCK, CRIMPER SPACER	4
1	2	2	1	1	9-1633962-5	CRIMPER, INSULATION F PREMIUM	3
-	1	1	1	1	455888-1	SPACER, CRIMPER	2
1	2	2	1	1	8-1633730-3	CRIMPER, WIRE	1
-	77	-72	-71	-2	-1	PART NO	ITEM NO

ATLANTIC VERSION
Shown on sheets 1 of 4 & 2 of 4
(Pacific version shown on sheets 3 of 4 & 4 of 4)

DIMENSIONS:		TOLERANCES UNLESS OTHERWISE SPECIFIED:		MATERIAL:		FINISH:	
mm	0 PLC ±	1 PLC ±	2 PLC ±	3 PLC ±	4 PLC ±	ANGLES ±	

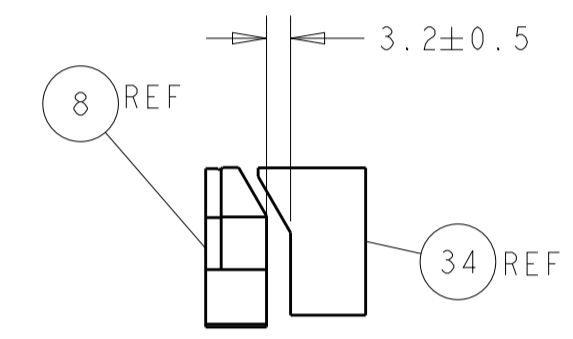
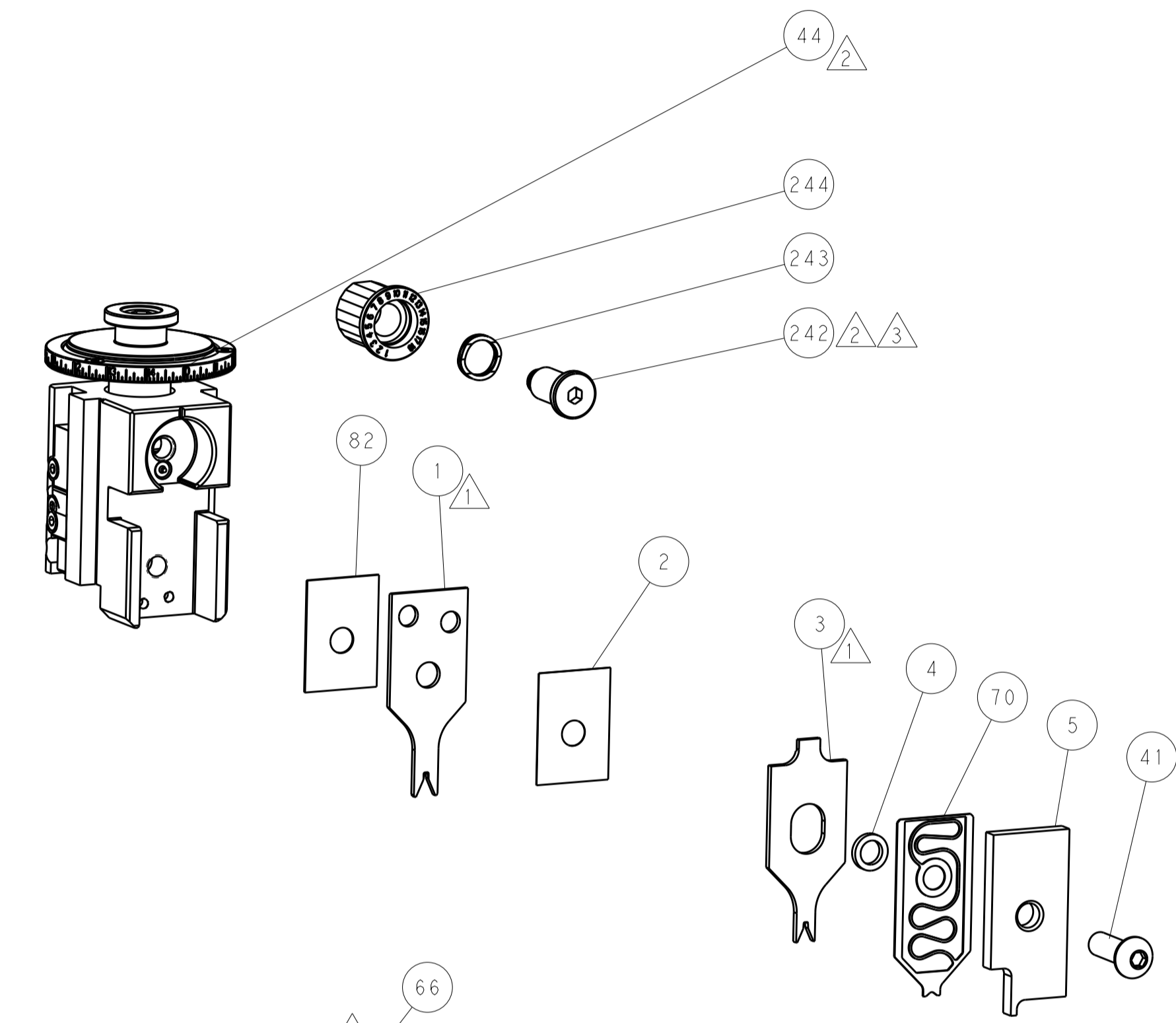
DATE	12JUNE2015	CHK	STAKEM	DATE	12JUNE2015	CHK	G. BAILEY
DATE	12JUNE2015	APVD	T. ELBIN	DATE	12JUNE2015	APVD	
NAME	Ocean Side Feed Applicator						
SIZE	A1	CAGE CODE	00779	DRAWING NO	2266814	RESTRICTED TO	
Customer Accessible Production Drawing				SCALE	1:2	SHEET	1 OF 4
				REV	B		

LOC	DIST	REV	DATE	BY	CHK	APPV
A	66					

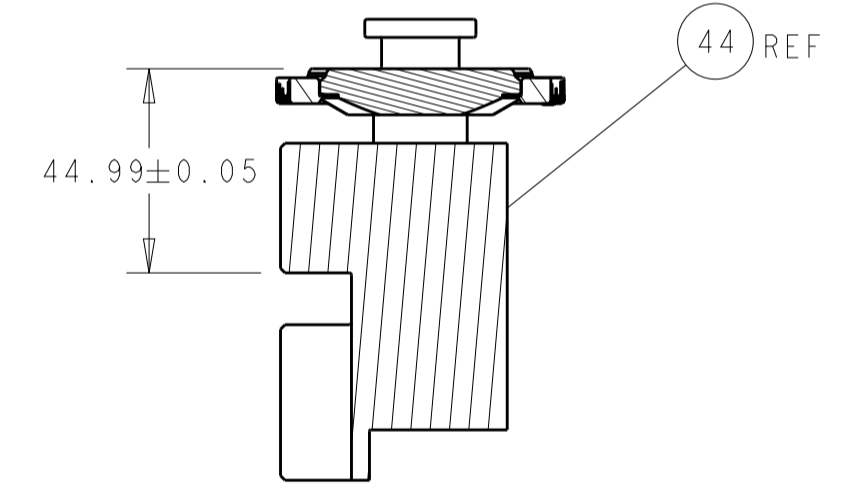
FEED TYPE MECHANICAL



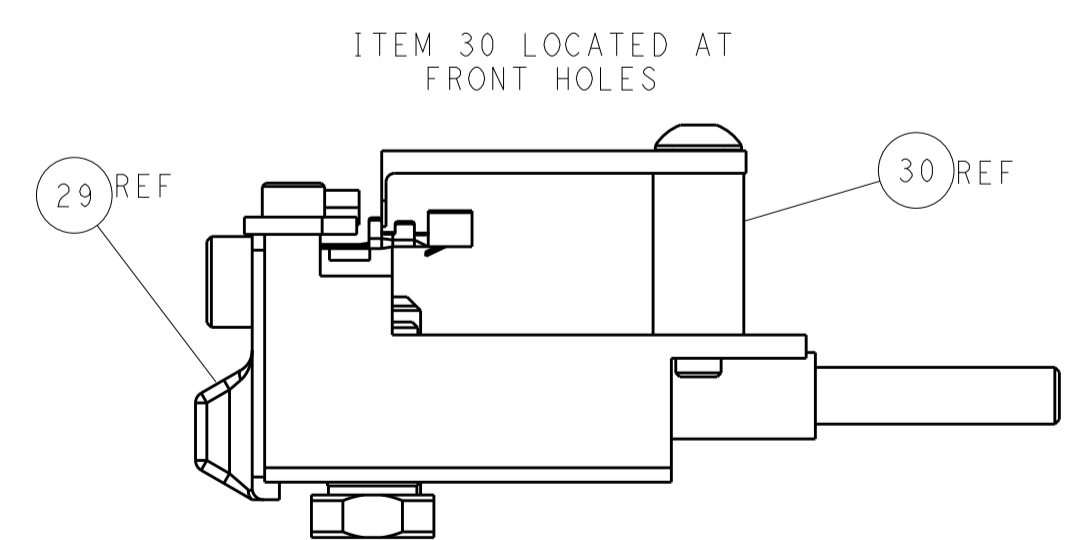
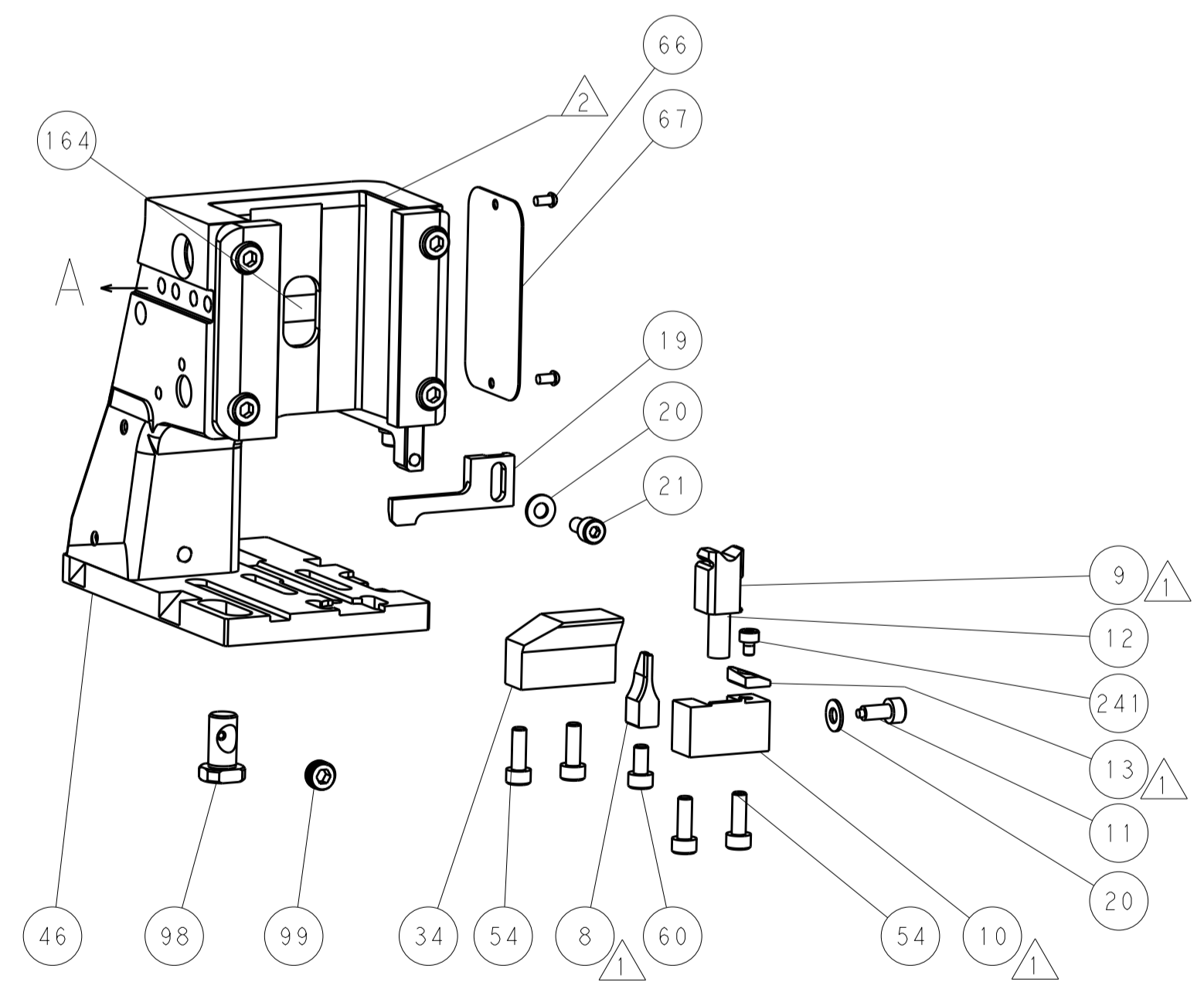
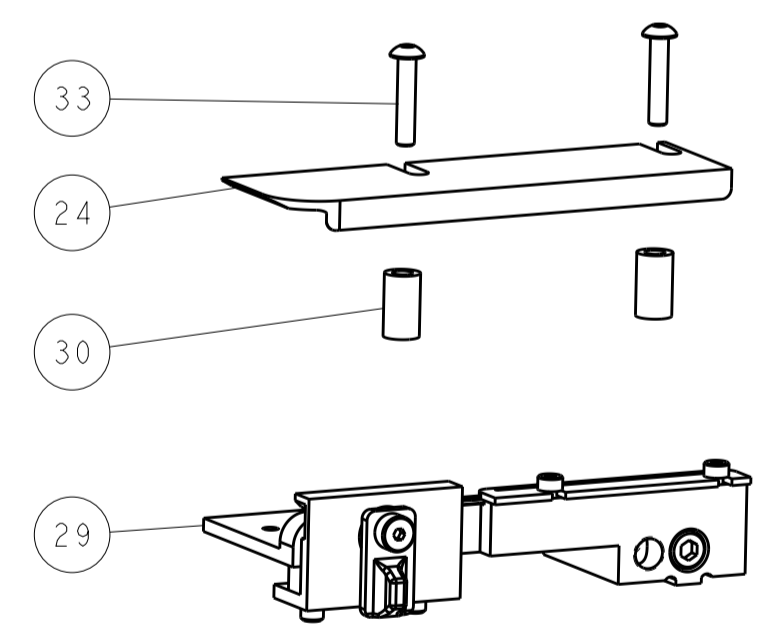
PNEUMATIC



TERMINAL SUPPORT LOCATION

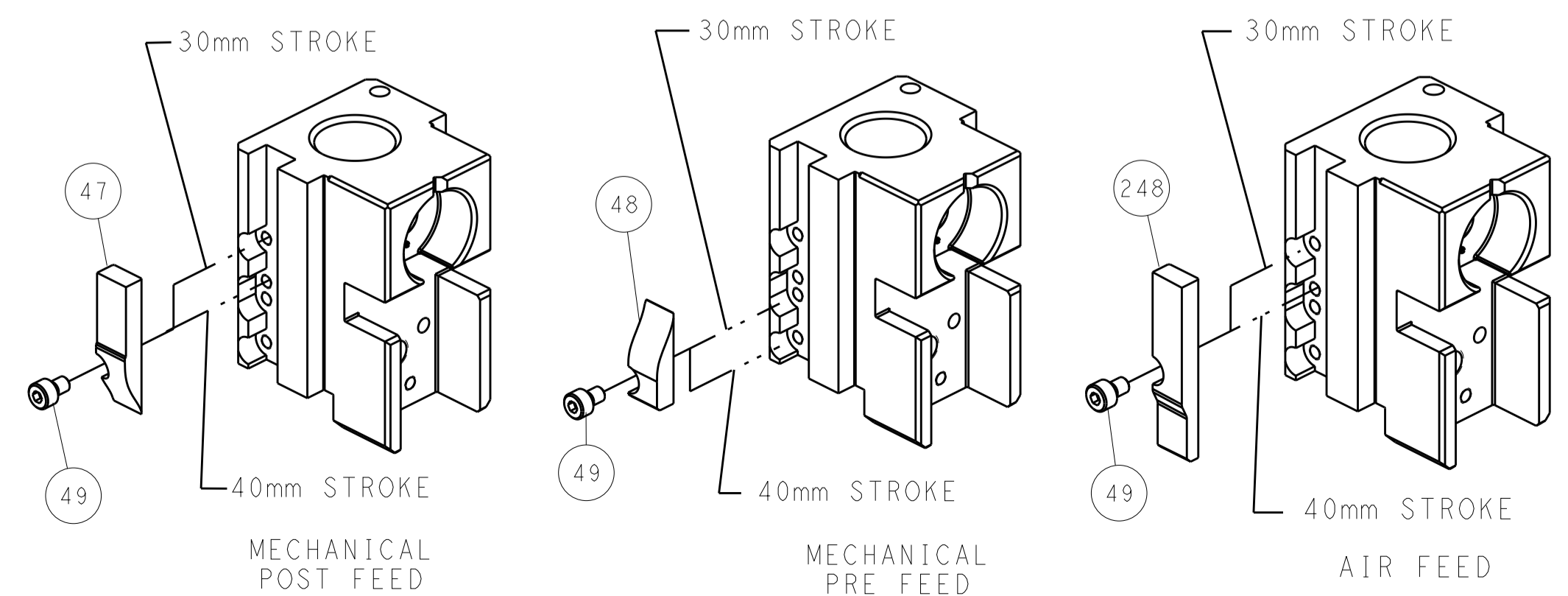


RAM SET-UP



FEED TRACK POSITION GUIDE BY INSULATION BARREL

CAM POSITIONS



ATLANTIC VERSION
 Shown on sheets 1 of 4 & 2 of 4
 (Pacific version shown on sheets 3 of 4 & 4 of 4)

DIMENSIONS:		TOLERANCES UNLESS OTHERWISE SPECIFIED:		DWG: STAKEM 12JUNE2015		TE Connectivity	
mm	0 PLC ±	1 PLC ±	2 PLC ±	3 PLC ±	4 PLC ±	Harrisburg, PA 17105-3608	
MATERIAL:		FINISH:		CHK: G. BAILEY 12JUNE2015		NAME: Ocean Side Feed Applicator	
				APPV: T. ELBIN 12JUNE2015		SIZE: CAGE CODE: DRAWING NO: A1 00779 ©=2266814	
				WEIGHT:		RESTRICTED TO:	
				Customer Accessible Production Drawing		SCALE: 1:2 SHEET 2 OF 4 REV B	

PART NUMBER	REVISION	DESCRIPTION	FEED TYPE
2-2266814-1	B	FINE CRIMP HEIGHT ADJUST	MECHANICAL
2-2266814-2	B	FINE CRIMP HEIGHT ADJUST	PNEUMATIC
7-2266814-7	A	CRIMP TOOLING KIT	-

PACIFIC VERSION TERMINATOR
INTERFACE ADAPTER



APPLICATOR DATA		
CRIMP	SIZE	TYPE
WIRE	1.47 mm [.058]	F
INSUL	1.65 mm [.065]	F
APPLICATOR INSTRUCTIONS 408-35042		

TERMINAL DATA: JST TERMINAL		JST CRIMP SPECIFICATION	
TERMINAL NAME: TERMINAL			
WIRE STRIP LENGTH 2.30-3.10 mm [.091-.122 IN]		INSULATION DIAMETER RANGE Ø1.20-1.80 mm [.047-.071 IN]	
TERMINAL APPLICATION SPECIFICATION H4009/017-00 Rev 01-29-01			
TERMINALS APPLIED			
TE TERMINAL	JST TERMINAL	TE TERMINAL	JST TERMINAL
286860-1	SHF-001T-0.8BS	286860-4	SHF-001-0.8BS
286860-2	SHF-001T-0.8SS	286860-5	SHF-001G1-0.8BS
286860-3	SHF-001-0.8SS		

WIRE SIZE	CRIMP HEIGHT mm [INCH]	CRIMP HEIGHT REFERENCE SETTING
22 AWG	0.80 +/- 0.05 [.031 +/- .002]	5.1
24 AWG	0.75 +/- 0.05 [.030 +/- .002]	5.6
26 AWG	0.70 +/- 0.05 [.028 +/- .002]	6.2
28 AWG	0.68 +/- 0.025 [.027 +/- .001]	6.4

- 1 RECOMMENDED SPARE PARTS
 - 2 REFER TO SUPPLIED INSTRUCTION SHEET FOR CLEANING, LUBRICATION AND STORAGE OF APPLICATOR.
 - 3 APPLY PART NUMBER 2-23419-6 LOCTITE TO THREADS OF ITEM 242.
 - 4 CRIMP HEIGHT REFERENCE SETTING WAS THE SETTING USED WHEN THE APPLICATOR WAS QUALIFIED AT THE FACTORY. ADJUSTMENT MAY BE NECESSARY WHEN RUNNING APPLICATOR IN THE FIELD.
5. UNLESS SPECIFIED OTHERWISE TORQUE VALUES SHALL BE USED PER DOCUMENT, 101-35000.

***WARNING**
ON INSTALLATION, SET WIRE DISC TO CRIMP HEIGHT REFERENCE SETTING FOR LARGEST WIRE SIZE. CRIMP HEIGHT REFERENCE SETTINGS GREATER THAN THE VALUE SHOWN MAY CAUSE DAMAGE TO THE CRIMP TOOLING, REFER TO THE INSTRUCTION SHEET FOR PROPER SETUP AND ADJUSTMENTS.

LOC	DIST	REV	DATE	BY	APPV
A	66				

REV	DATE	BY	APPV	DESCRIPTION	DATE	BY	APPV
-	1	-		2119640-1			250
-	1	-		1803259-1			249
-	1	1		2119082-4			244
-	1	1		2079764-1			243
-	1	1		2119083-1			242
-	1	1		7-18023-7			241
-	-	1		2119580-1			239
-	1	-		2063440-1			238
-	2	-		21045-3			172
-	REF	REF		994970-2			164
-	1	-		240638-1			163
-	1	-		2119641-2			151
-	1	1		2168083-8			144
-	4	4		2168083-9			143
-	-	1		2119653-2			142
-	1	1		1-1803583-0			141
-	1	1		1803516-1			140
-	1	-		3-23627-7			137
-	1	-		2119799-1			136
-	1	1		2844908-1			99
-	1	1		2844907-1			98
-	1	1		455888-5			82
-	1	1		1803607-1			71
-	1	1		2119791-5			70
-	1	1		2119740-1			67
-	2	2		2168078-1			66
-	1	1		5-18022-5			59
-	1	1		1338685-1			56
-	1	2		18023-9			49
-	-	1		2119652-1			48
-	1	1		1803602-1			41
-	1	1		2-1752356-5			34
-	2	2		2079383-5			33
-	2	2		2-2844962-6			30
-	1	1		2844992-1			29
-	1	1		1320928-2			24
-	1	1		2168083-2			21
-	2	2		1-18028-2			20
-	1	1		2119533-1			19
-	1	1		2119806-1			13
-	1	1		3-22280-3			12
-	1	1		1-356885-4			11
-	1	1		2119805-1			10
-	1	1		1803095-3			9
1	1	1		5-1803171-0			8
-	-	-		-			7
-	-	-		-			6
-	1	1		2119757-5			5
-	1	1		238011-8			4
1	1	1		9-1633962-5			3
-	1	1		455888-1			2
1	1	1		8-1633730-3			1

PACIFIC VERSION
Shown on sheets 3 of 4 & 4 of 4
(Atlantic version shown on sheets 1 of 4 & 2 of 4)

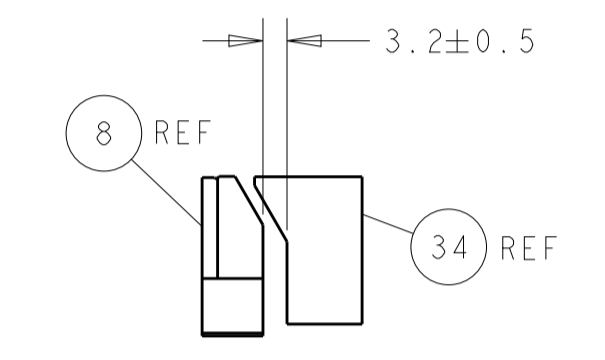
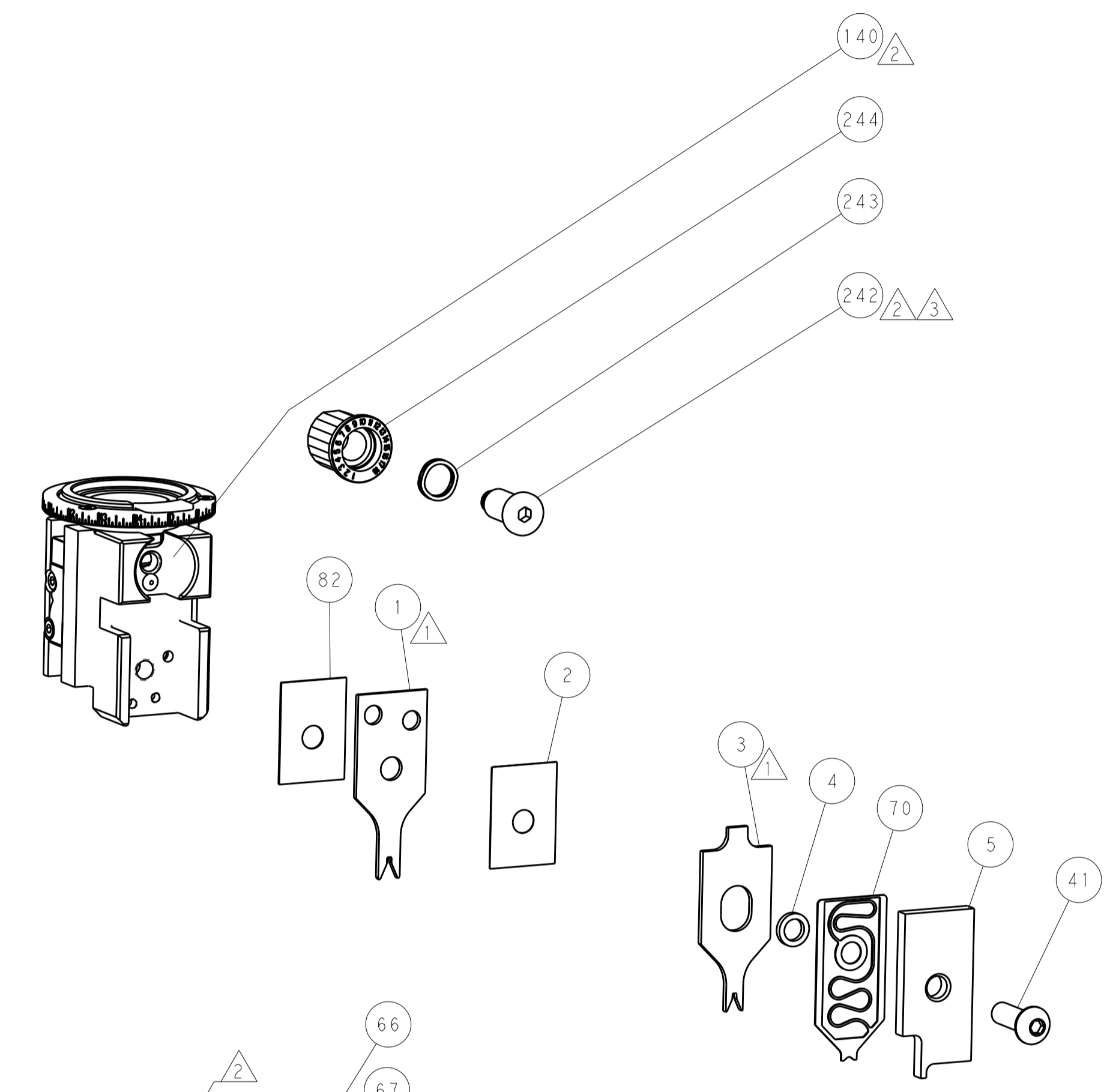
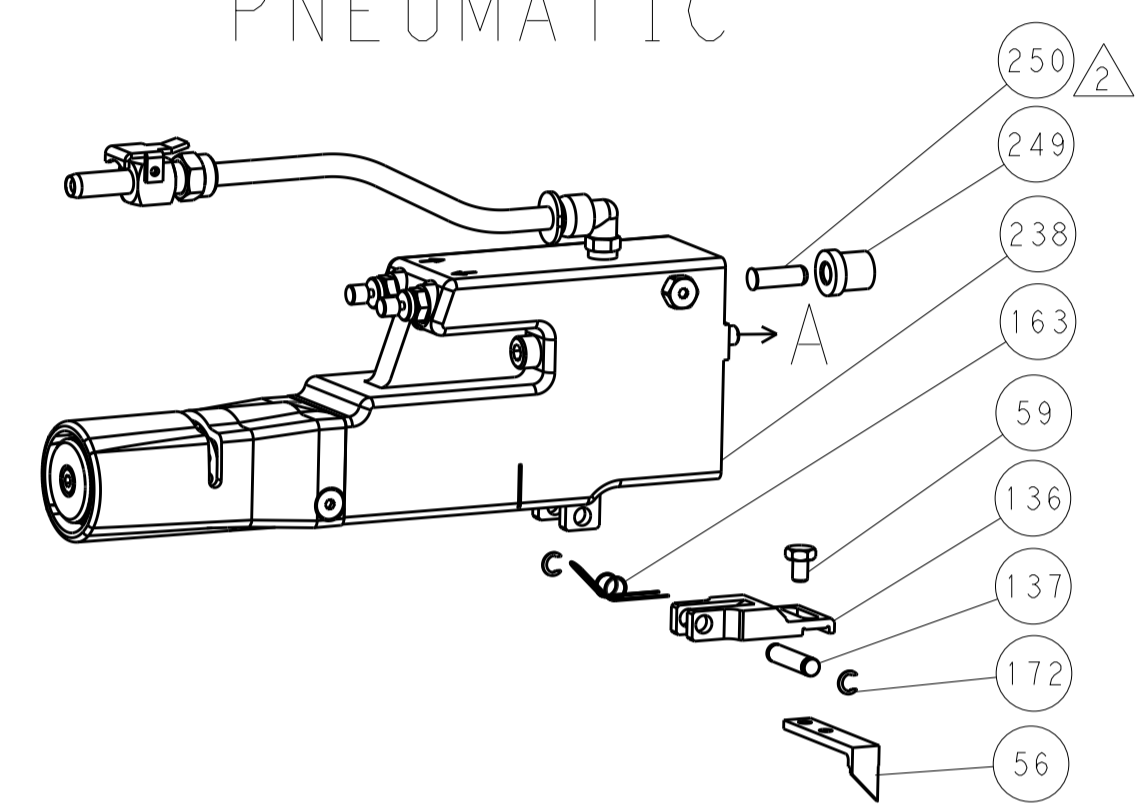
DIMENSIONS: mm		TOLERANCES UNLESS OTHERWISE SPECIFIED:		DWG: STAKEM 12JUNE2015		CHK: G. BAILEY 12JUNE2015		APVD: T. ERLIN 12JUNE2015		NAME: Ocean Side Feed Applicator	
0 PLC	±	1 PLC	±	SIZE	CAGE CODE	DRAWING NO	RESTRICTED TO				
2 PLC	±	3 PLC	±	SCALE	1:2	3	4				
4 PLC	±	ANGLES	±	WEIGHT	00779	©=2266814	REV				
MATERIAL	FINISH			Customer Accessible Production Drawing		SCALE		SHEET 3 OF 4		REV B	

LOC	DIST	REVISIONS					
		P	LTN	DESCRIPTION	DATE	OWN	APVD
A	66	-	-	SEE SHEET 1	-	-	-

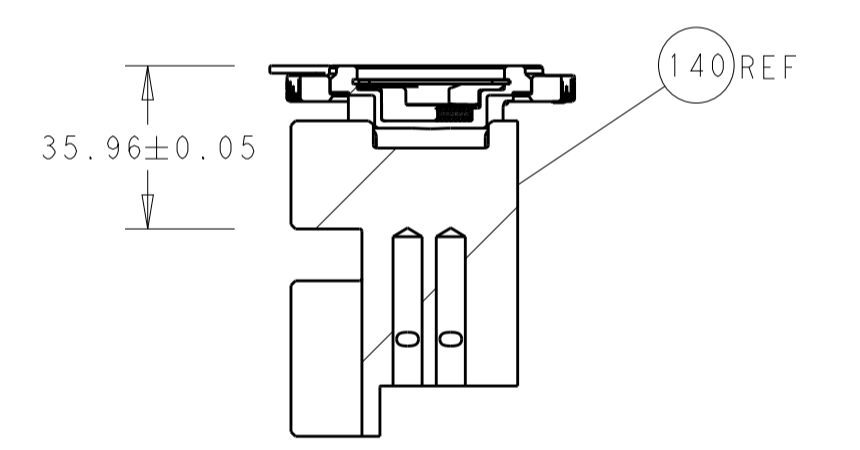
FEED TYPE MECHANICAL



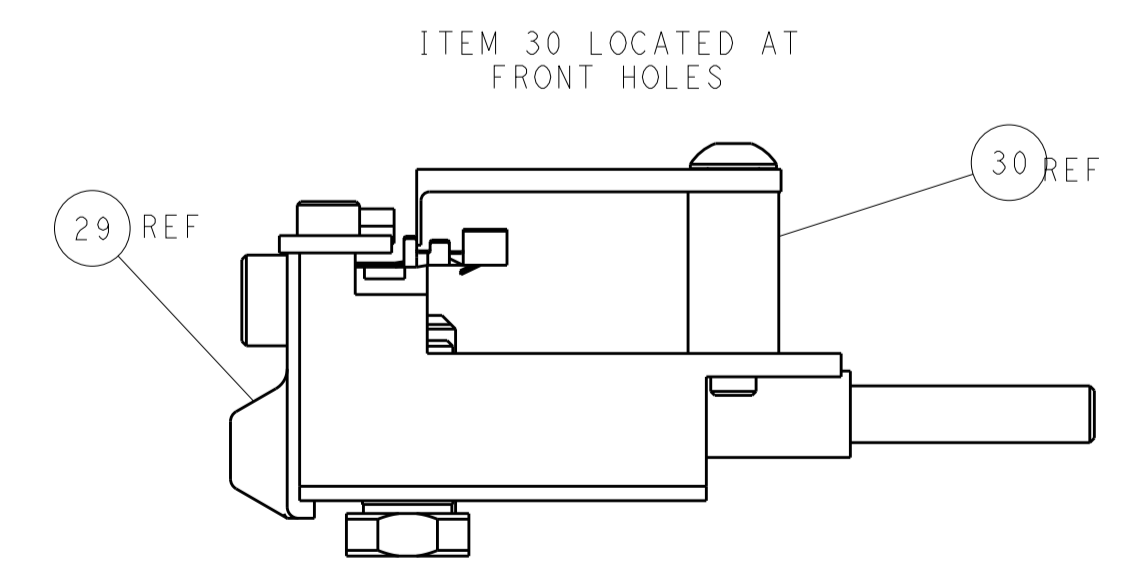
PNEUMATIC



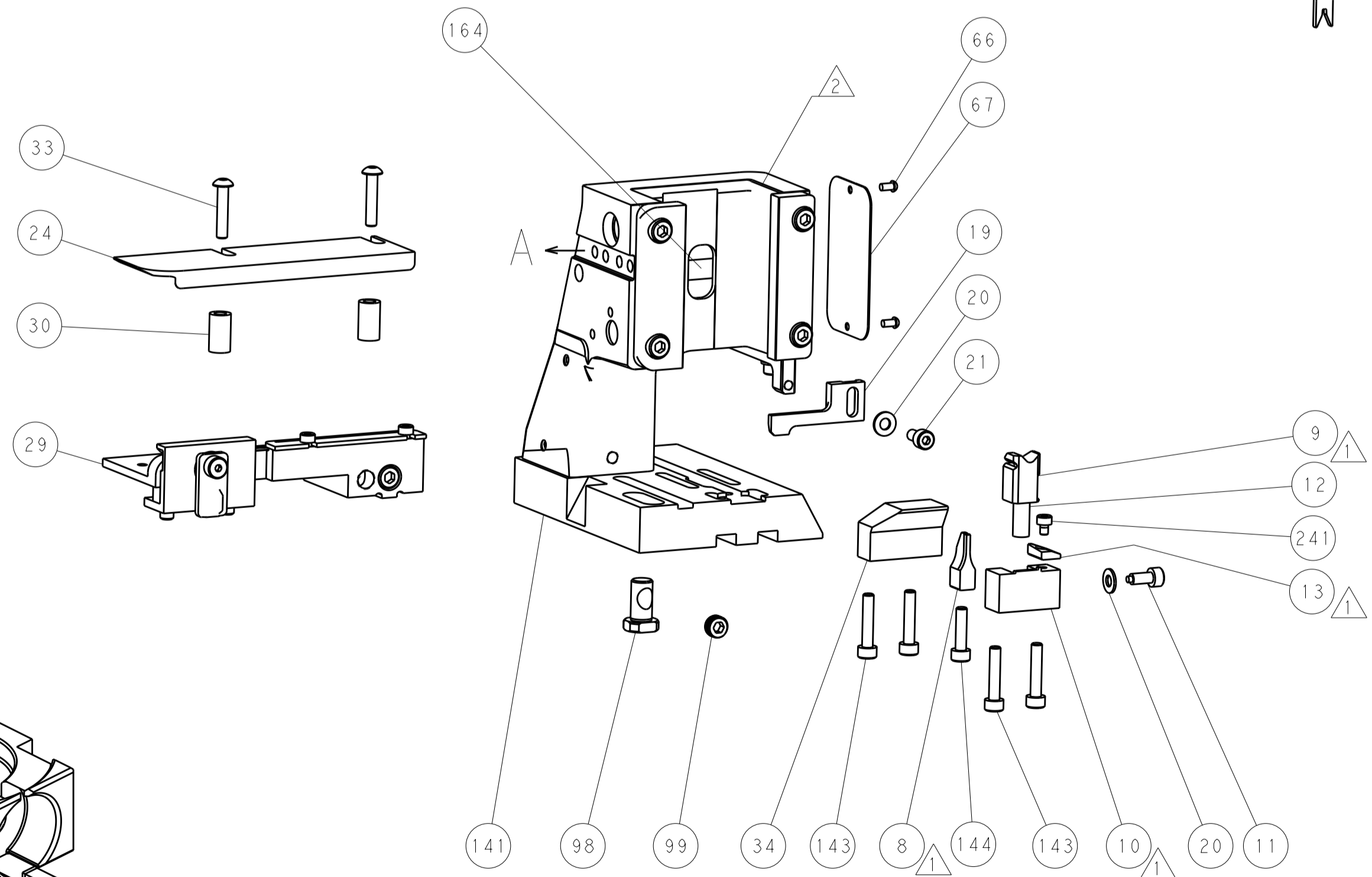
TERMINAL SUPPORT LOCATION



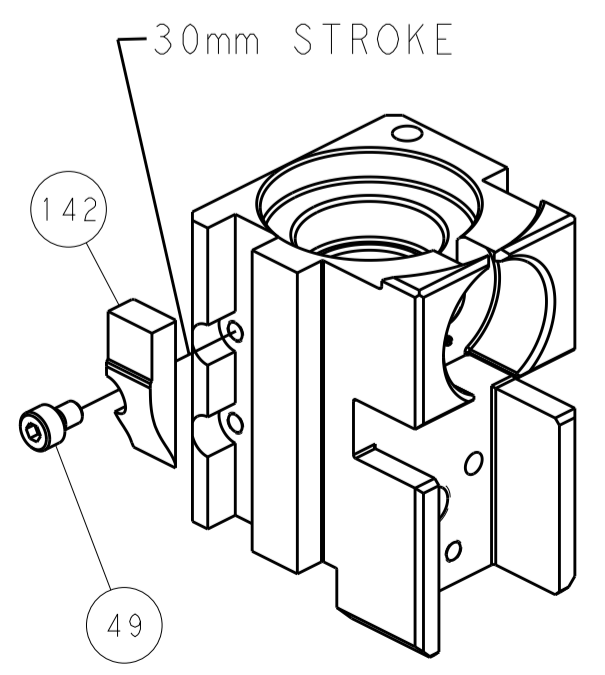
RAM SET-UP



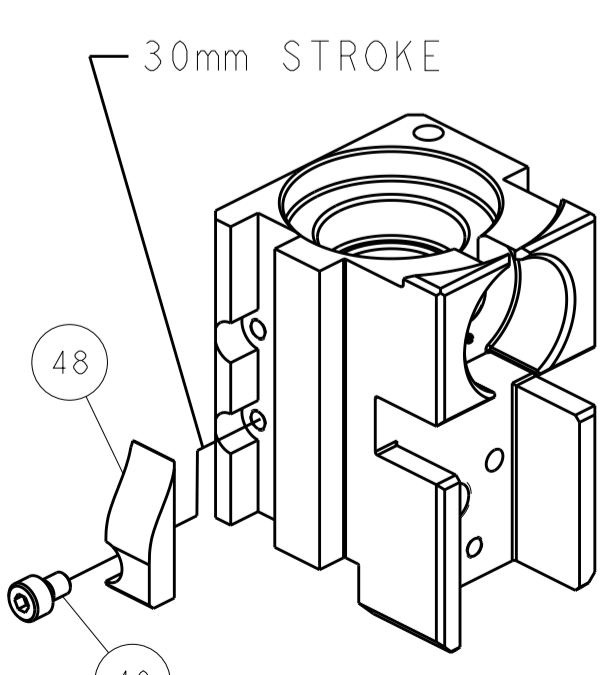
FEED TRACK POSITION
GUIDE BY INSULATION BARREL



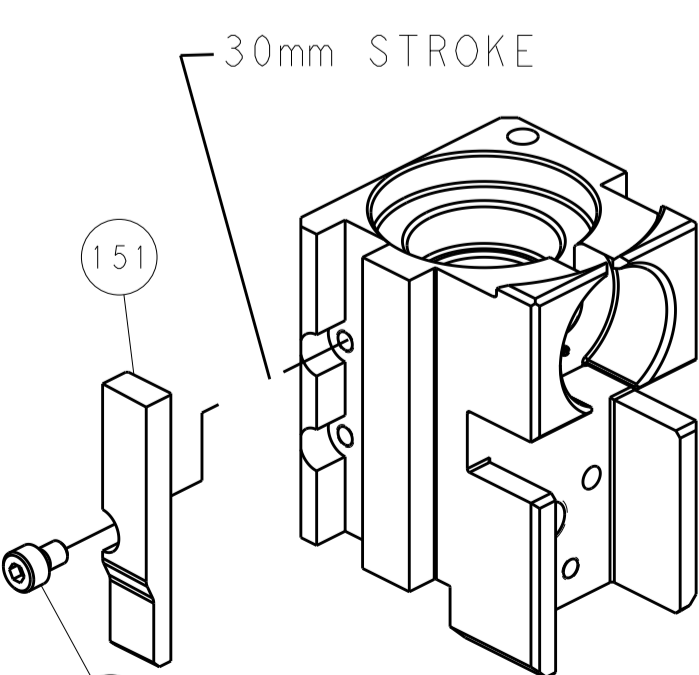
CAM POSITIONS



MECHANICAL
POST FEED



MECHANICAL
PRE FEED



AIR FEED

PACIFIC VERSION
 Shown on sheets 3 of 4 & 4 of 4
 (Atlantic version shown on sheets 1 of 4 & 2 of 4)

DIMENSIONS:		TOLERANCES UNLESS OTHERWISE SPECIFIED:		DWN: STAKEM 12JUNE2015		TE Connectivity	
mm	0 PLC ±	1 PLC ±	2 PLC ±	3 PLC ±	4 PLC ±	5 PLC ±	Harrisburg, PA 17105-3608
MATERIAL:		FINISH:		CHK: G. BAILEY 12JUNE2015		NAME: Ocean Side Feed Applicator	
				APVD: T. ELBIN 12JUNE2015		SIZE: CAGE CODE: DRAWING NO: 00779	
				PRODUCT SPEC:		RESTRICTED TO:	
				APPLICATION SPEC:		Customer Accessible Production Drawing	
				WEIGHT:		SCALE: 1:2 SHEET 4 OF 4 REV B	