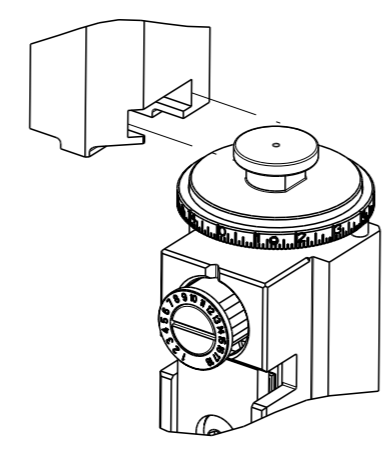


| PART NUMBER | REVISION | DESCRIPTION | FEED TYPE |
|-------------|----------|----------------------------------|------------|
| 2266750-1 | C | FINE CRIMP HEIGHT ADJUST | MECHANICAL |
| 2266750-2 | C | FINE CRIMP HEIGHT ADJUST | PNEUMATIC |
| 7-2266750-1 | C | MECHANICAL AND CRIMP TOOLING KIT | MECHANICAL |
| 7-2266750-2 | C | PNEUMATIC AND CRIMP TOOLING KIT | PNEUMATIC |
| 7-2266750-7 | A | CRIMP TOOLING KIT | - |

ATLANTIC VERSION TERMINATOR INTERFACE ADAPTER



| APPLICATOR DATA | | |
|-----------------|-----------------|------|
| CRIMP | SIZE | TYPE |
| WIRE | 1.40 mm [0.055] | F |
| INSUL | 1.78 mm [0.070] | F |

APPLICATOR INSTRUCTIONS
408-35042

| | | | |
|---|--------------------------|-------------------------------|-----------------|
| TERMINAL DATA: DELPHI TERMINAL DELPHI PACKARD CRIMP SPECIFICATION | | | |
| TERMINAL NAME: TAXI TERM F MICRO 64 | | | |
| WIRE STRIP LENGTH | | INSULATION DIAMETER RANGE | |
| 3.47-4.24 mm [1.37-.167 IN] | | Ø1.47-1.63 mm [0.058-.064 IN] | |
| TERMINAL APPLICATION SPECIFICATION | 15394147 pg 2,5,10 of 11 | | |
| TERMINALS APPLIED | | | |
| TE TERMINAL | DELPHI TERMINAL | TE TERMINAL | DELPHI TERMINAL |
| 1572387-1 | 15356826 | 1572387-3 | 15410620 |
| 1572387-2 | 15394147 | | |

| WIRE SIZE | CRIMP HEIGHT mm [INCH] | CRIMP HEIGHT REFERENCE SETTING |
|-----------|--------------------------------|--------------------------------|
| 0.50mm2 | 0.85 +/- 0.03 [0.033 +/- .001] | 5.0 |
| 0.35mm2 | 0.75 +/- 0.03 [0.030 +/- .001] | 6.0 |

- RECOMMENDED SPARE PARTS
- REFER TO SUPPLIED INSTRUCTION SHEET FOR CLEANING, LUBRICATION AND STORAGE OF APPLICATOR.
- APPLY PART NUMBER 2-23419-6 LOCTITE TO THREADS OF ITEM 242.
- CRIMP HEIGHT REFERENCE SETTING WAS THE SETTING USED WHEN THE APPLICATOR WAS QUALIFIED AT THE FACTORY. ADJUSTMENT MAY BE NECESSARY WHEN RUNNING APPLICATOR IN THE FIELD.
- 5. UNLESS SPECIFIED OTHERWISE TORQUE VALUES SHALL BE USED PER DOCUMENT, 101-35000.

***WARNING**
ON INSTALLATION, SET WIRE DISC TO CRIMP HEIGHT REFERENCE SETTING FOR LARGEST WIRE SIZE. CRIMP HEIGHT REFERENCE SETTINGS GREATER THAN THE VALUE SHOWN MAY CAUSE DAMAGE TO THE CRIMP TOOLING, REFER TO THE INSTRUCTION SHEET FOR PROPER SETUP AND ADJUSTMENTS.

| LOC | DIST | REVISIONS | | | | | |
|-----|------|-----------|-----|---------------|-----------|-----|------|
| | | P | LY# | DESCRIPTION | DATE | OWN | APVD |
| A | 66 | 1 | | DEVELOPMENT | 08APR2015 | YY | UG |
| | | A | | RELEASED | 30APR2015 | YY | GB |
| | | B | | ECR-18-000258 | 08JAN2018 | YY | JDG |
| | | C | | ECR-21-001381 | 03FEB2021 | JAH | RR |

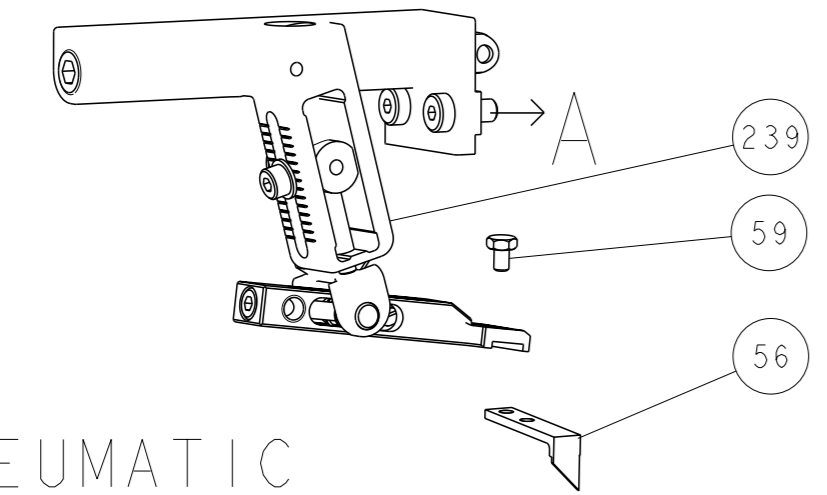
| | | | | | | | | |
|---|-----|-----|-----|-----|-------------|-------------------------------------|-----------------------|---|
| - | 1 | - | 1 | - | 2119641-1 | FEED CAM, AIR FEED | 248 | |
| - | 1 | 1 | 1 | 1 | 2119082-8 | CAM, SNAIL, INSULATION ADJUSTMENT | 244 | |
| - | 1 | 1 | 1 | 1 | 2079764-1 | WASHER, WAVE SPRING, CREST-TO-CREST | 243 | |
| - | 1 | 1 | 1 | 1 | 2119083-1 | RETAINER, INSULATION DIAL | 242 | |
| - | 1 | 1 | 1 | 1 | 7-18023-7 | SCR, SKT HD CAP M3 X 4.0 | 241 | |
| - | - | 1 | - | 1 | 2119580-1 | MECHANICAL FEED ASSEMBLY | 239 | |
| - | 1 | - | 1 | - | 2844940-1 | AIR FEED MODULE | 238 | |
| - | REF | REF | REF | REF | 994970-2 | COUNTER, MAGNETIC | 164 | |
| - | 1 | 1 | 1 | 1 | 2844908-1 | SCREW, LOCKING | 99 | |
| - | 1 | 1 | 1 | 1 | 2844907-1 | POST, LOCKING | 98 | |
| - | 1 | 1 | 1 | 1 | 455888-6 | SPACER, CRIMPER | 82 | |
| - | 1 | 1 | 1 | 1 | 1803607-3 | DOCUMENTATION PACKAGE | 71 | |
| - | 1 | 1 | 1 | 1 | 2119740-1 | TAG, IDENTIFICATION | 67 | |
| - | 2 | 2 | 2 | 2 | 2168078-1 | SCREW, DRIVE, RH, RoHS, 2 x .188 | 66 | |
| - | 1 | 1 | 1 | 1 | 2168083-2 | SCR, SKT HD CAP, RoHS, M4 X 8.0 | 60 | |
| - | 1 | 1 | 1 | 1 | 5-18022-5 | SCR, HEX HD CAP, M4 X 6.0 | 59 | |
| - | 1 | 1 | 1 | 1 | 1338685-1 | PAWL, FEED | 56 | |
| - | 4 | 4 | 4 | 4 | 2168083-3 | SCR, SKT HD CAP, RoHS, M4 X 12.0 | 54 | |
| - | 2 | 2 | 2 | 2 | 1-2168083-0 | SCR, SKT HD CAP, RoHS, M4 X 10 | 53 | |
| - | 1 | 1 | 1 | 1 | 1803382-1 | HOLD DOWN, SPRING LOADED | 50 | |
| - | 1 | 2 | 1 | 2 | 18023-9 | SCR, SKT HD CAP M4 X 6.0 | 49 | |
| - | - | 1 | - | 1 | 2119652-1 | FEED CAM, PRE FEED | 48 | |
| - | - | 1 | - | 1 | 2119653-1 | FEED CAM, POST FEED | 47 | |
| - | 1 | 1 | 1 | 1 | 1803583-9 | APPLICATOR BASIC ASSEMBLY, SF | 46 | |
| - | 1 | 1 | 1 | 1 | 1803515-1 | RAM ASSEMBLY, SF ATLANTIC | 44 | |
| - | 1 | 1 | 1 | 1 | 1803602-1 | SCR, BHSC, RoHS (M8 X 25) | 41 | |
| - | 1 | 1 | 1 | 1 | 3-1752356-3 | SUPPORT, TERMINAL | 34 | |
| - | 2 | 2 | 2 | 2 | 2079383-5 | SCR, BHSC, RoHS (M4 X 20) | 33 | |
| - | 2 | 2 | 2 | 2 | 2-2844962-6 | SPACER, CYLINDRICAL, STRIP GUIDE | 30 | |
| - | 1 | 1 | 1 | 1 | 2844992-1 | ASSEMBLY, STRIP GUIDE | 29 | |
| - | 1 | 1 | 1 | 1 | 455888-3 | SPACER, CRIMPER | 28 | |
| - | 1 | 1 | 1 | 1 | 1320928-2 | STRIP GUIDE | 24 | |
| - | 1 | 1 | 1 | 1 | 2168083-2 | SCR, SKT HD CAP, RoHS, M4 X 8.0 | 21 | |
| - | 2 | 2 | 2 | 2 | 1-18028-2 | WASHER, FLAT, REG M4 | 20 | |
| - | 1 | 1 | 1 | 1 | 2119533-1 | STRIPPER, SIDE FEED | 19 | |
| - | 1 | 1 | 1 | 1 | 2119806-1 | INSERT, SHEAR | 13 | |
| - | 1 | 1 | 1 | 1 | 3-22280-3 | SPRING, COMPRESSION | 12 | |
| - | 1 | 1 | 1 | 1 | 1-356885-4 | STOP, SHEAR | 11 | |
| - | 1 | 1 | 1 | 1 | 2119805-1 | SHEAR HOLDER, FRONT | 10 | |
| - | 1 | 1 | 1 | 1 | 1803095-1 | FLOATING SHEAR, FRONT | 9 | |
| - | 1 | 2 | 2 | 1 | 1 | 4-1633917-4 | ANVIL, COMBINATION | 8 |
| - | - | - | - | - | - | - | 7 | |
| - | - | - | - | - | - | - | 6 | |
| - | 1 | 1 | 1 | 1 | 2119757-4 | DEPRESSOR, SHEAR | 5 | |
| - | 1 | 1 | 1 | 1 | 2-238011-5 | BLOCK, CRIMPER SPACER | 4 | |
| - | 1 | 2 | 2 | 1 | 1 | 5-1803016-7 | CRIMPER, INSULATION F | 3 |
| - | 1 | 1 | 1 | 1 | 455888-5 | SPACER, CRIMPER | 2 | |
| - | 1 | 2 | 2 | 1 | 1 | 1-456402-4 | CRIMPER, WIRE PREMIUM | 1 |
| - | 77 | 72 | 71 | -2 | -1 | PART NO | ITEM NO | |

ATLANTIC VERSION
Shown on sheets 1 of 4 & 2 of 4
(Pacific version shown on sheets 3 of 4 & 4 of 4)

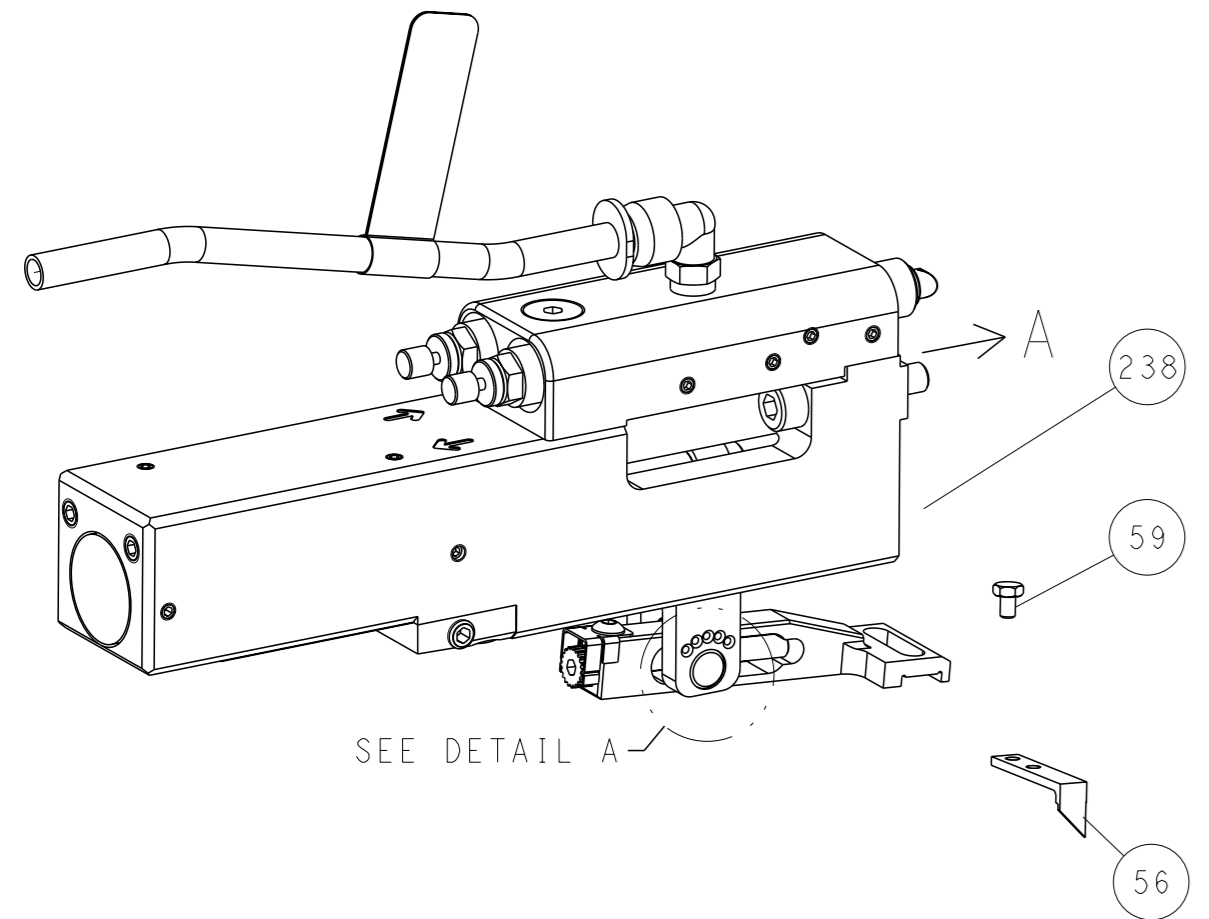
| | | | | | | |
|-------------|---------|--|-----------------|-------------------------|--|--|
| DIMENSIONS: | | TOLERANCES UNLESS OTHERWISE SPECIFIED: | | OWN Y. YIN 08APR2015 | TE Connectivity Harrisburg, PA 17105-3608 | |
| mm | 0 PLC ± | 1 PLC ± | 2 PLC ± | CHK G. BAILEY 08APR2015 | NAME Ocean Side Feed Applicator | |
| | 3 PLC ± | 4 PLC ± | ANGLES FINISH * | APVD U. GUO 08APR2015 | SIZE CAGE CODE DRAWING NO RESTRICTED TO | |
| MATERIAL | | | | PRODUCT SPEC | A1 00779 C=2266750 | |
| | | | | APPLICATION SPEC | SCALE 1:2 SHEET 1 OF 4 REV C | |
| | | | | WEIGHT | Customer Accessible Production Drawing | |

| LOC | DIST | REVISIONS | | | |
|-----|------|-------------|------|-----|------|
| A | 66 | REV | DATE | OWN | APVD |
| - | - | SEE SHEET 1 | - | - | - |
| | | | | | |
| | | | | | |

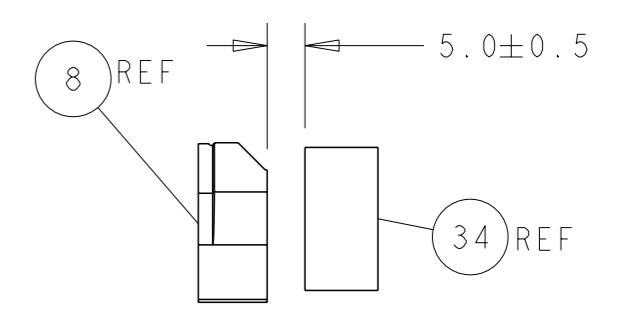
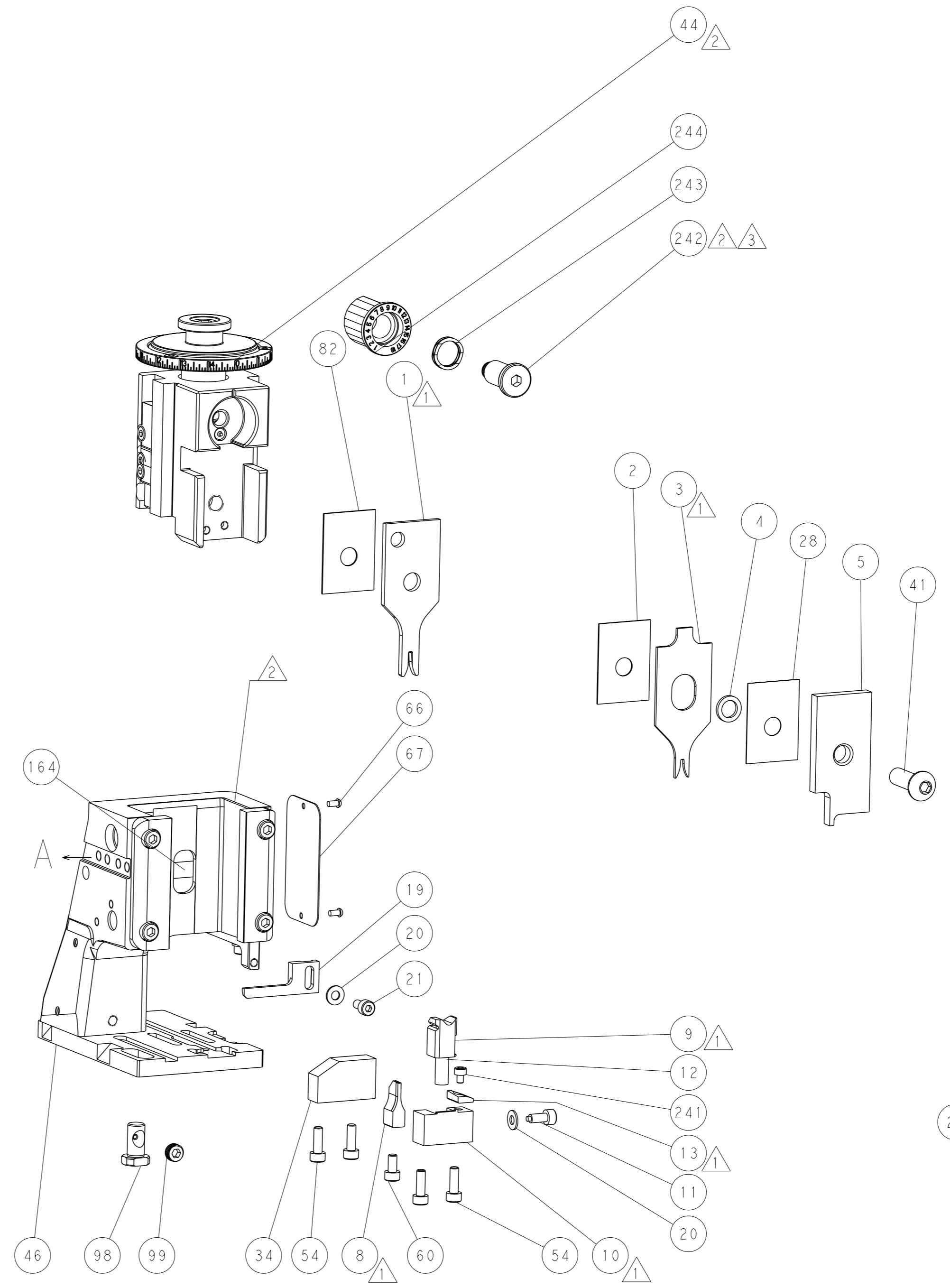
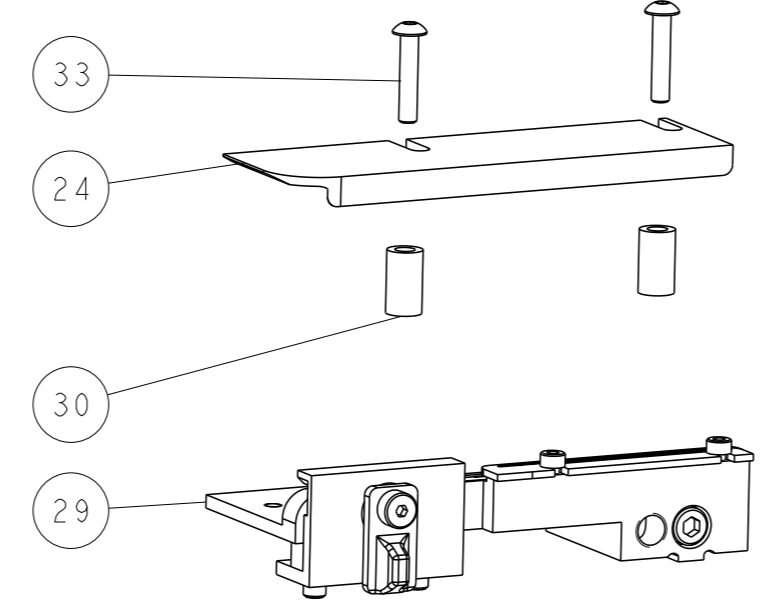
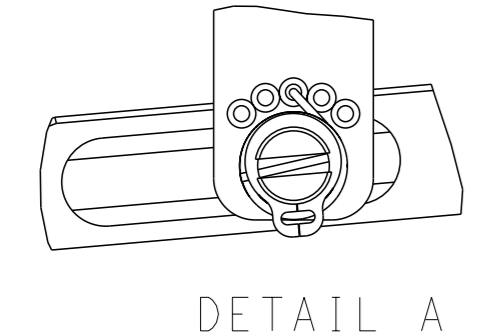
FEED TYPE MECHANICAL



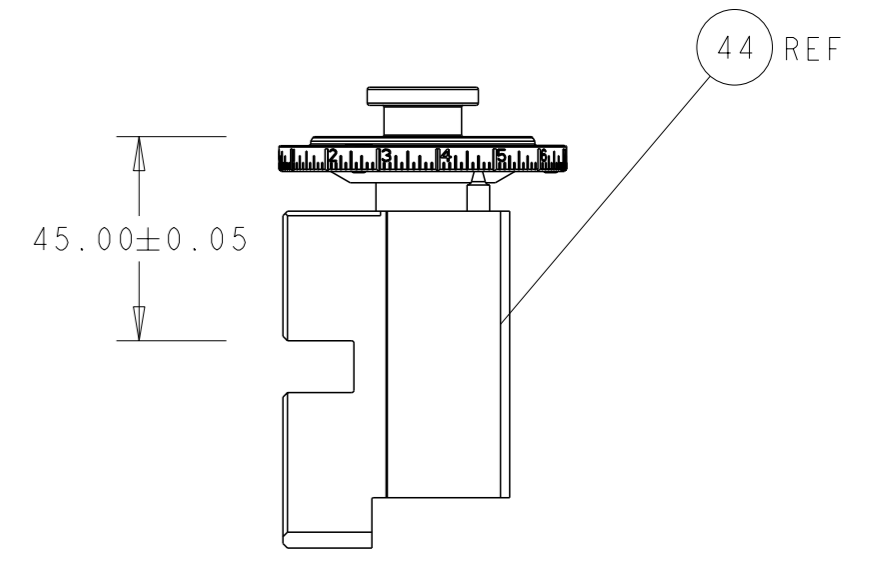
PNEUMATIC



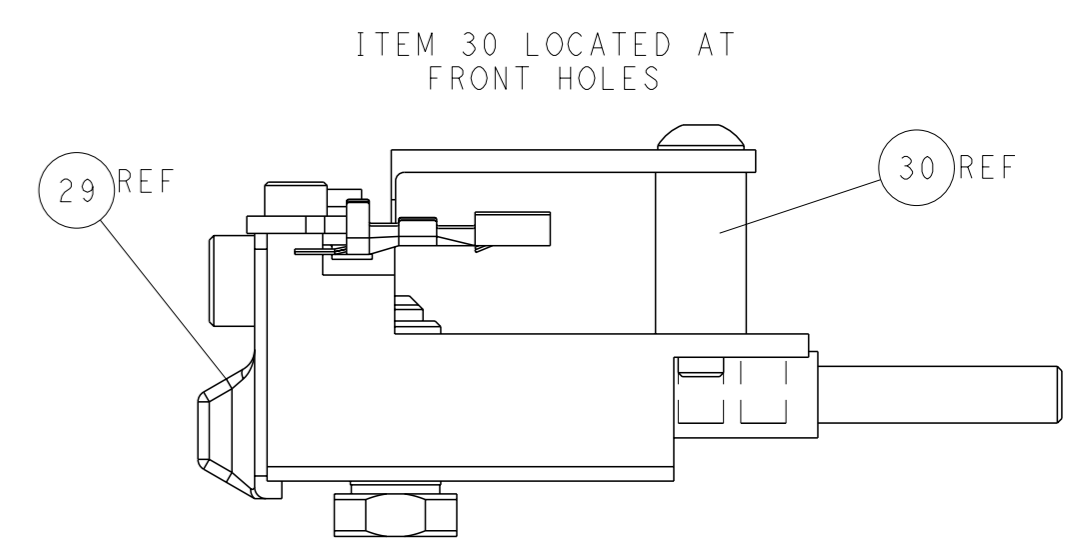
FEED SPRING SETTING POSITION (SHOWN FROM REAR SIDE)



TERMINAL SUPPORT LOCATION

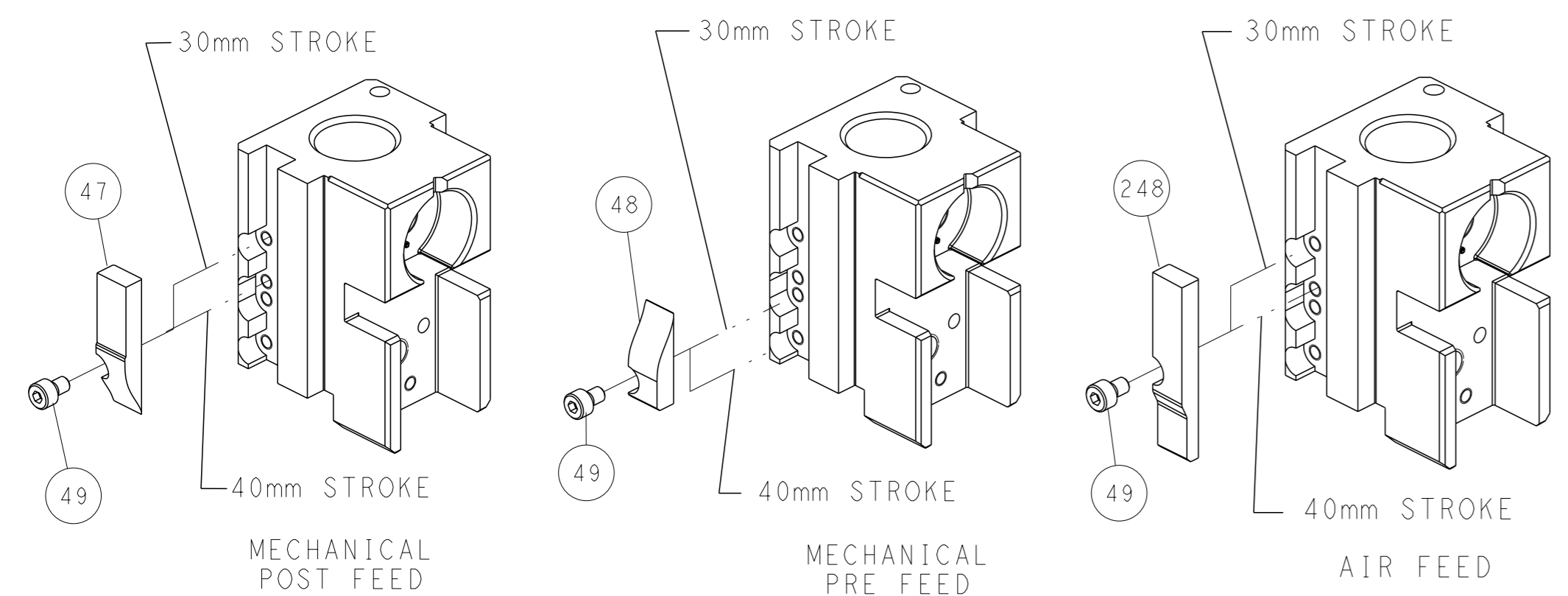


RAM SET-UP



FEED TRACK POSITION GUIDE BY INSULATION BARREL

CAM POSITIONS

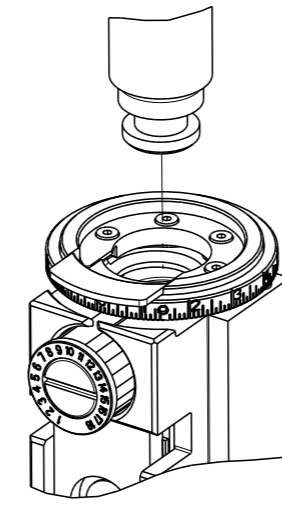


ATLANTIC VERSION
 Shown on sheets 1 of 4 & 2 of 4
 (Pacific version shown on sheets 3 of 4 & 4 of 4)

| | | | |
|---|-----------|---|--|
| <small>THIS DRAWING IS A CONTROLLED DOCUMENT FOR TYCO ELECTRONICS CORPORATION. IT IS SUBJECT TO CHANGE AND TO CONTROLING ENGINEERING DISCRETION. SHOULD BE CONTACTED FOR THE LATEST REVISION.</small> | | OWN: Y. YIN 08APR2015 CHK: G. BAILEY 08APR2015 APVD: H. GUO 08APR2015 | NAME: TE Connectivity Harrisburg, PA 17105-3608 |
| DIMENSIONS: mm TOLERANCES UNLESS OTHERWISE SPECIFIED: 0 PLC ± 1 PLC ± 2 PLC ± 3 PLC ± 4 PLC ± ANGLES FINISH ± | MATERIAL: | PRODUCT SPEC: APPLICATION SPEC: WEIGHT: | SIZE: A1 CAGE CODE: 00779 DRAWING NO: C=2266750 SCALE: 1:2 SHEET: 2 of 4 REV: C |
| Customer Accessible Production Drawing | | | RESTRICTED TO: |

| | | | |
|--|--------------------------|--------------------------|------------|
| THIS DRAWING IS UNPUBLISHED. | RELEASED FOR PUBLICATION | | |
| © COPYRIGHT 20 BY TYCO ELECTRONICS CORPORATION. ALL RIGHTS RESERVED. | 20 | | |
| PART NUMBER | REVISION | DESCRIPTION | FEED TYPE |
| 2-2266750-1 | C | FINE CRIMP HEIGHT ADJUST | MECHANICAL |
| 2-2266750-2 | C | FINE CRIMP HEIGHT ADJUST | PNEUMATIC |
| 7-2266750-7 | A | CRIMP TOOLING KIT | - |

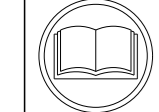
PACIFIC VERSION TERMINATOR
INTERFACE ADAPTER



| APPLICATOR DATA | | |
|--------------------------------------|----------------|------|
| CRIMP | SIZE | TYPE |
| WIRE | 1.40 mm [.055] | F |
| INSUL | 1.78 mm [.070] | F |
| APPLICATOR INSTRUCTIONS 408-35042 | | |

| | | | |
|---|--------------------------|------------------------------|-----------------|
| TERMINAL DATA: DELPHI TERMINAL DELPHI PACKARD CRIMP SPECIFICATION | | | |
| TERMINAL NAME: TAXI TERM F MICRO 64 | | | |
| WIRE STRIP LENGTH | | INSULATION DIAMETER RANGE | |
| 3.47-4.24 mm [.137-.167 IN] | | ∅1.47-1.63 mm [.058-.064 IN] | |
| TERMINAL APPLICATION SPECIFICATION | 15394147 pg 2,5,10 of 11 | | |
| TERMINALS APPLIED | | | |
| TE TERMINAL | DELPHI TERMINAL | TE TERMINAL | DELPHI TERMINAL |
| 1572387-1 | 15356826 | 1572387-3 | 15410620 |
| 1572387-2 | 15394147 | | |

| WIRE SIZE | CRIMP HEIGHT mm [INCH] | CRIMP HEIGHT REFERENCE SETTING |
|-----------|----------------------------|--------------------------------|
| 0.50mm2 | 0.85+/-0.03 [.033+/-0.001] | 5.0 |
| 0.35mm2 | 0.75+/-0.03 [.030+/-0.001] | 6.0 |



- 1. RECOMMENDED SPARE PARTS
- 2. REFER TO SUPPLIED INSTRUCTION SHEET FOR CLEANING, LUBRICATION AND STORAGE OF APPLICATOR.
- 3. APPLY PART NUMBER 2-23419-6 LOCTITE TO THREADS OF ITEM 242.
- 4. CRIMP HEIGHT REFERENCE SETTING WAS THE SETTING USED WHEN THE APPLICATOR WAS QUALIFIED AT THE FACTORY. ADJUSTMENT MAY BE NECESSARY WHEN RUNNING APPLICATOR IN THE FIELD.
- 5. UNLESS SPECIFIED OTHERWISE TORQUE VALUES SHALL BE USED PER DOCUMENT, 101-35000.

***WARNING**
ON INSTALLATION, SET WIRE DISC TO CRIMP HEIGHT REFERENCE SETTING FOR LARGEST WIRE SIZE. CRIMP HEIGHT REFERENCE SETTINGS GREATER THAN THE VALUE SHOWN MAY CAUSE DAMAGE TO THE CRIMP TOOLING, REFER TO THE INSTRUCTION SHEET FOR PROPER SETUP AND ADJUSTMENTS.

| LOC | DIST | REVISIONS | | | | | |
|-----|------|-----------|-----|-------------|------|-----|------|
| A | 66 | P | LYR | DESCRIPTION | DATE | OWN | APVD |
| | | - | - | SEE SHEET 1 | - | - | - |

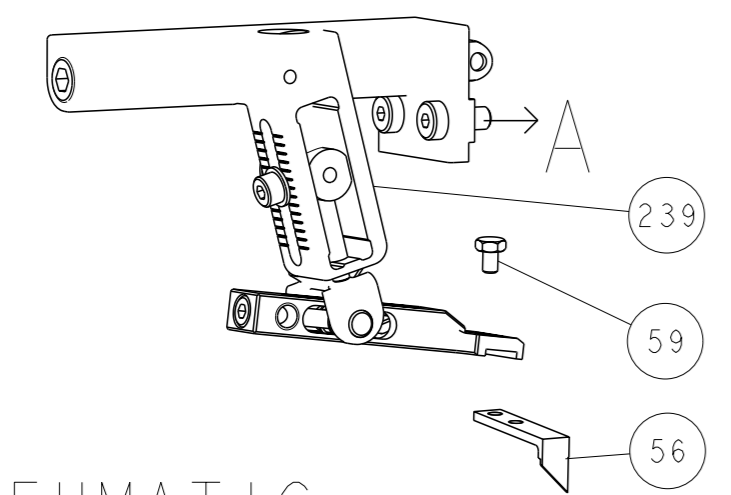
| | | | | | |
|---|-----|-----|-------------|-------------------------------------|---------|
| - | 1 | 1 | 2119082-8 | CAM, SNAIL, INSULATION ADJUSTMENT | 244 |
| - | 1 | 1 | 2079764-1 | WASHER, WAVE SPRING, CREST-TO-CREST | 243 |
| 3 | - | 1 | 2119083-1 | RETAINER, INSULATION DIAL | 242 |
| - | 1 | 1 | 7-18023-7 | SCR, SKT HD CAP M3 X 4.0 | 241 |
| - | - | 1 | 2119580-1 | MECHANICAL FEED ASSEMBLY | 239 |
| - | 1 | - | 2844940-1 | AIR FEED MODULE | 238 |
| - | REF | REF | 994970-2 | COUNTER, MAGNETIC | 164 |
| - | 1 | - | 2119641-2 | FEED CAM, AIR FEED | 151 |
| - | 1 | 1 | 2168083-8 | SCR, SKT HD CAP, RoHS, M4 X 16 | 144 |
| - | 4 | 4 | 2168083-9 | SCR, SKT HD CAP, RoHS, M4 X 20 | 143 |
| - | - | 1 | 2119653-2 | FEED CAM, POST FEED | 142 |
| - | 1 | 1 | 1-1803583-0 | APPLICATOR BASIC ASSEMBLY, SF | 141 |
| - | 1 | 1 | 1803516-1 | RAM ASSEMBLY, SF PACIFIC | 140 |
| - | 1 | 1 | 2844908-1 | SCREW, LOCKING | 99 |
| - | 1 | 1 | 2844907-1 | POST, LOCKING | 98 |
| - | 1 | 1 | 455888-6 | SPACER, CRIMPER | 82 |
| - | 1 | 1 | 1803607-3 | DOCUMENTATION PACKAGE | 71 |
| - | 1 | 1 | 2119740-1 | TAG, IDENTIFICATION | 67 |
| - | 2 | 2 | 2168078-1 | SCREW, DRIVE, RH, RoHS, 2 x .188 | 66 |
| - | 1 | 1 | 5-18022-5 | SCR, HEX HD CAP, M4 X 6.0 | 59 |
| - | 1 | 1 | 1338685-1 | PAWL, FEED | 56 |
| - | 2 | 2 | 1-2168083-0 | SCR, SKT HD CAP, RoHS, M4 X 10 | 53 |
| - | 1 | 1 | 1803382-1 | HOLD DOWN, SPRING LOADED | 50 |
| - | 1 | 2 | 18023-9 | SCR, SKT HD CAP M4 X 6.0 | 49 |
| - | - | 1 | 2119652-1 | FEED CAM, PRE FEED | 48 |
| - | 1 | 1 | 1803602-1 | SCR, BHSC, RoHS (M8 X 25) | 41 |
| - | 1 | 1 | 3-1752356-3 | SUPPORT, TERMINAL | 34 |
| - | 2 | 2 | 2079383-5 | SCR, BHSC, RoHS (M4 X 20) | 33 |
| - | 2 | 2 | 2-2844962-6 | SPACER, CYLINDRICAL, STRIP GUIDE | 30 |
| - | 1 | 1 | 2844992-1 | ASSEMBLY, STRIP GUIDE | 29 |
| - | 1 | 1 | 455888-3 | SPACER, CRIMPER | 28 |
| - | 1 | 1 | 1320928-2 | STRIP GUIDE | 24 |
| - | 1 | 1 | 2168083-2 | SCR, SKT HD CAP, RoHS, M4 X 8.0 | 21 |
| - | 2 | 2 | 1-18028-2 | WASHER, FLAT, REG M4 | 20 |
| - | 1 | 1 | 2119533-1 | STRIPPER, SIDE FEED | 19 |
| 1 | 1 | 1 | 2119806-1 | INSERT, SHEAR | 13 |
| - | 1 | 1 | 3-22280-3 | SPRING, COMPRESSION | 12 |
| - | 1 | 1 | 1-356885-4 | STOP, SHEAR | 11 |
| - | 1 | 1 | 2119805-1 | SHEAR HOLDER, FRONT | 10 |
| - | 1 | 1 | 1803095-1 | FLOATING SHEAR, FRONT | 9 |
| 1 | 1 | 1 | 4-1633917-4 | ANVIL, COMBINATION | 8 |
| - | - | - | - | - | 7 |
| - | - | - | - | - | 6 |
| - | 1 | 1 | 2119757-4 | DEPRESSOR, SHEAR | 5 |
| - | 1 | 1 | 2-238011-5 | BLOCK, CRIMPER SPACER | 4 |
| 1 | 1 | 1 | 5-1803016-7 | CRIMPER, INSULATION F | 3 |
| - | 1 | 1 | 455888-5 | SPACER, CRIMPER | 2 |
| 1 | 1 | 1 | 1-456402-4 | CRIMPER, WIRE PREMIUM | 1 |
| - | - | - | -77-22-21 | PART NO | ITEM NO |

PACIFIC VERSION
Shown on sheets 3 of 4 & 4 of 4
(Atlantic version shown on sheets 1 of 4 & 2 of 4)

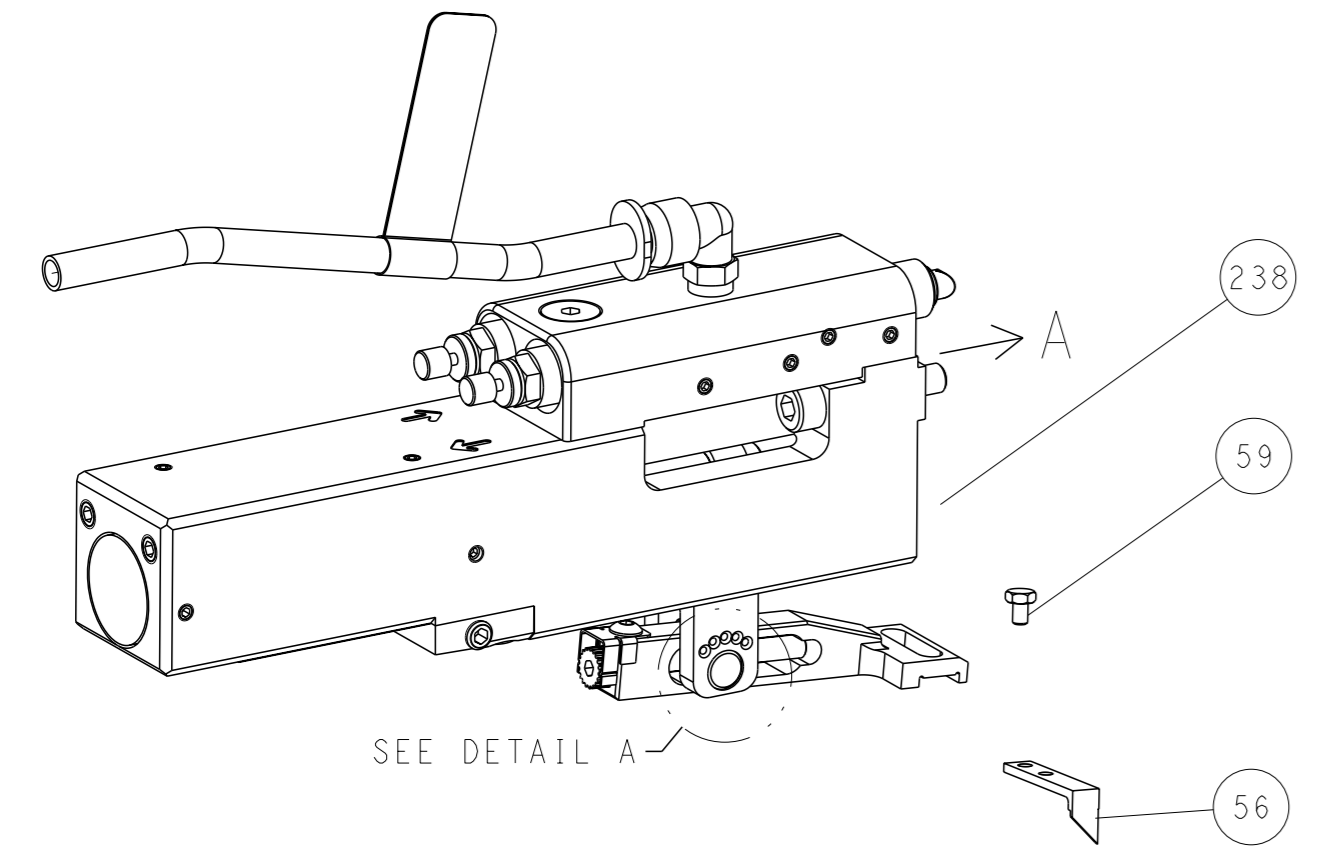
| | | | | | |
|-------------|---|--|---|--|--|
| DIMENSIONS: | | TOLERANCES UNLESS OTHERWISE SPECIFIED: | | OWN Y. YIN 08APR2015 | TE Connectivity Harrisburg, PA 17105-3608 |
| mm | 0 PLC ± 1 PLC ± 2 PLC ± 3 PLC ± 4 PLC ± | ± | ± | CHK G. BAILEY 08APR2015 | |
| MATERIAL: | | FINISH: | | APVD U. GUO 08APR2015 | Ocean Side Feed Applicator |
| - | | - | | PRODUCT SPEC | |
| - | | - | | APPLICATION SPEC | SIZE CAGE CODE DRAWING NO |
| - | | - | | WEIGHT | A1 00779 C=2266750 |
| - | | - | | Customer Accessible Production Drawing | |
| - | | - | | SCALE | 1:2 SHEET 3 of 4 REV C |

| LOC | | DIST | | REVISIONS | | | |
|-----|----|------|-----|-------------|------|-----|------|
| A | 66 | P | LYR | DESCRIPTION | DATE | OWN | APVD |
| | | - | | SEE SHEET 1 | - | - | - |

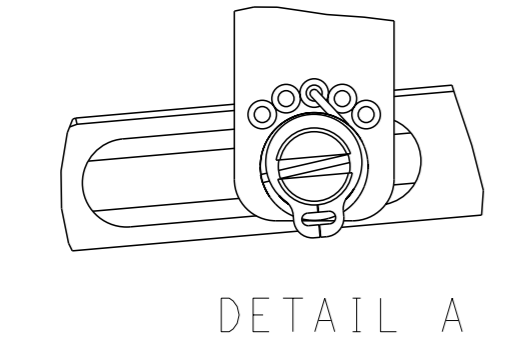
FEED TYPE MECHANICAL



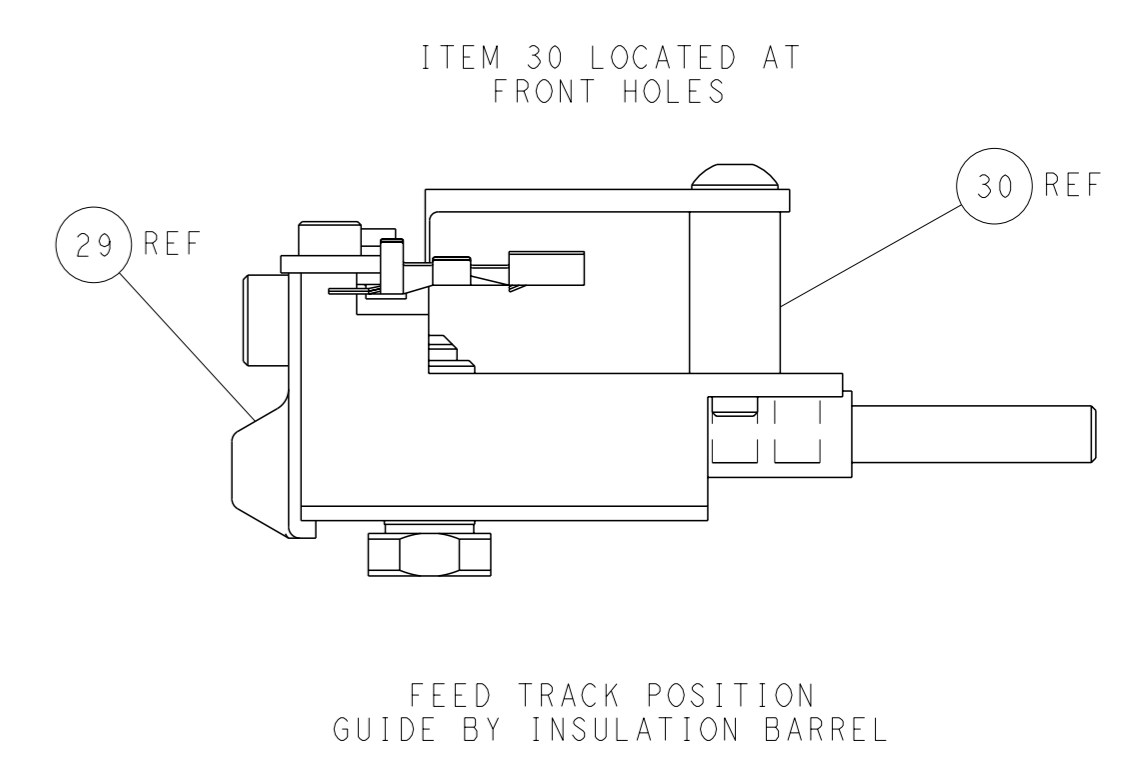
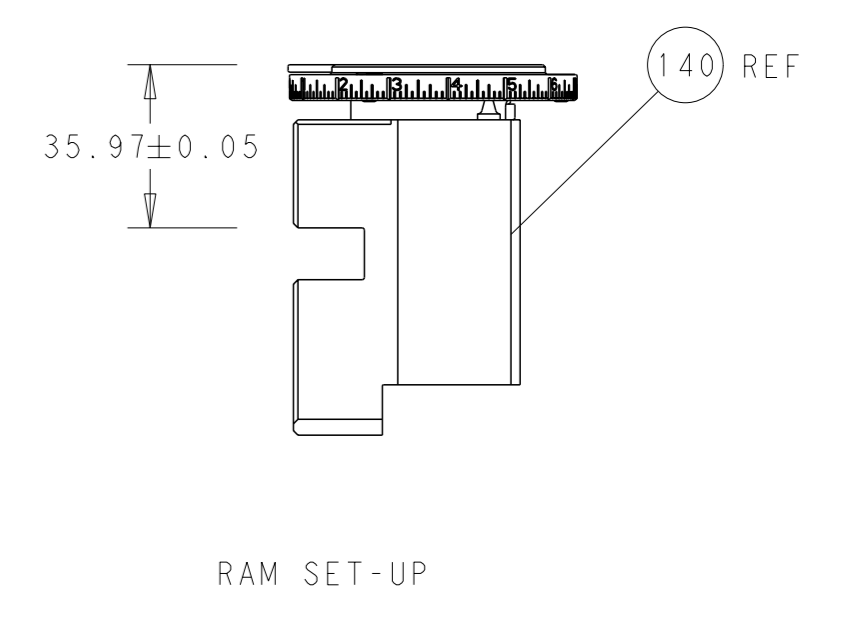
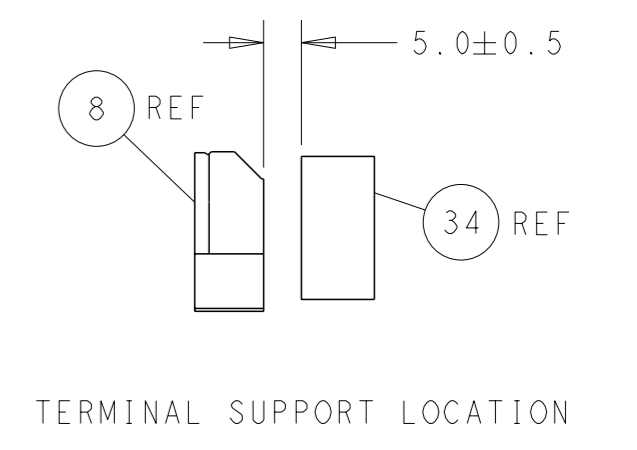
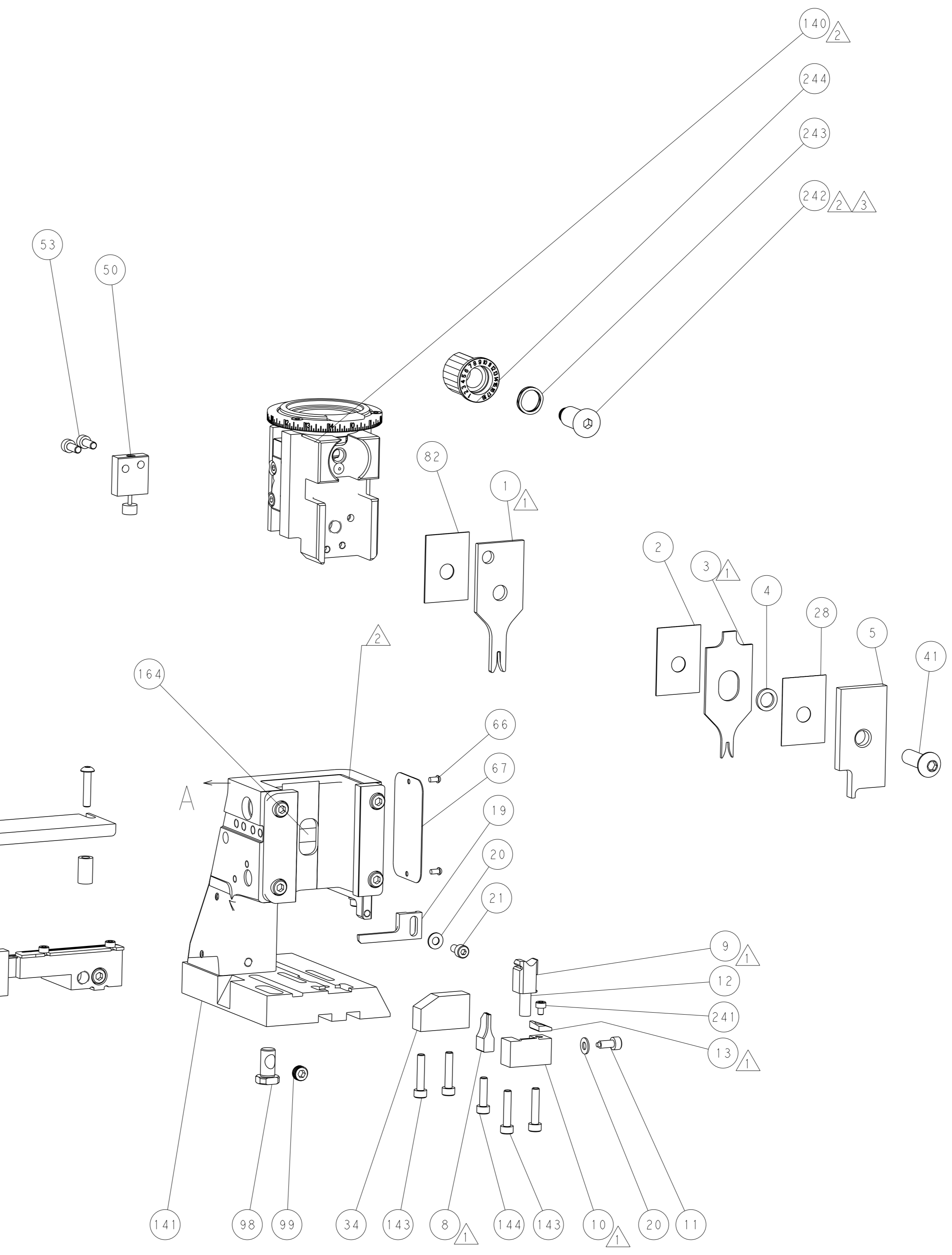
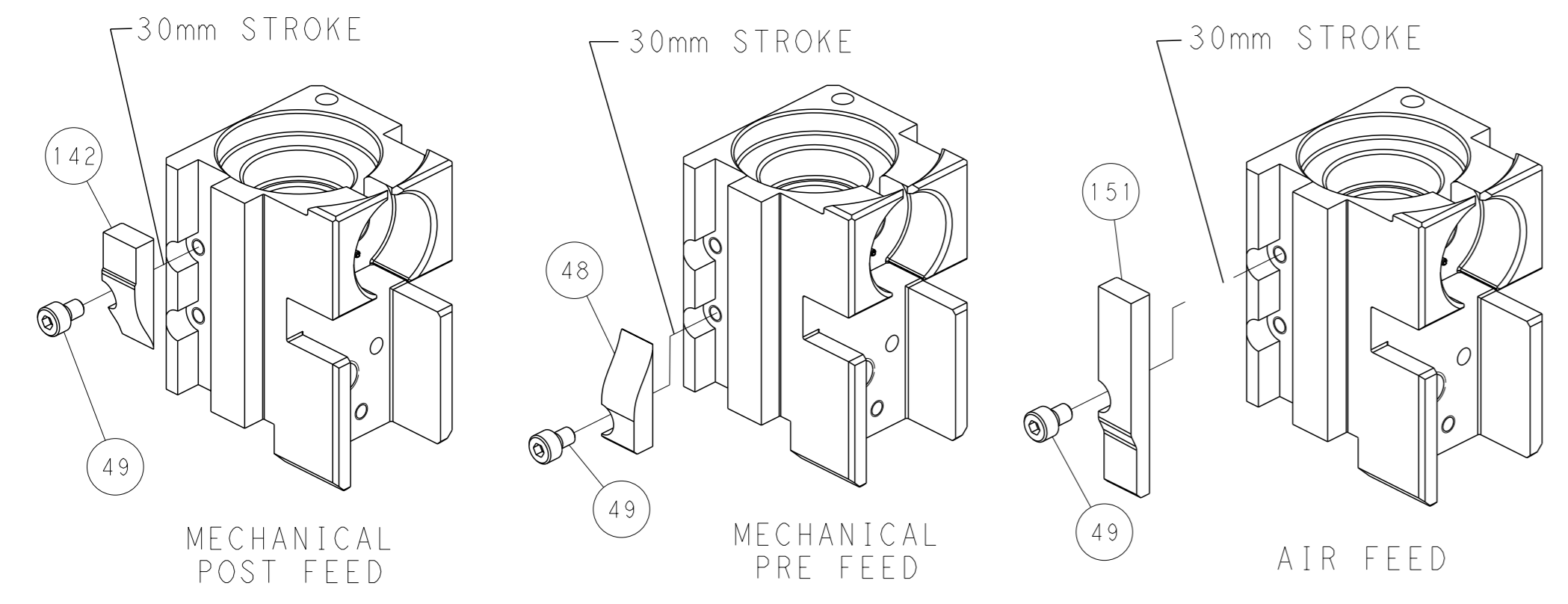
PNEUMATIC



FEED SPRING SETTING POSITION (SHOWN FROM REAR SIDE)



CAM POSITIONS



PACIFIC VERSION
 Shown on sheets 3 of 4 & 4 of 4
 (Atlantic version shown on sheets 1 of 4 & 2 of 4)

| | | | | |
|--|--|---|---|--|
| <small>THIS DRAWING IS UNPUBLISHED. RELEASED FOR PUBLICATION. IT IS SUBJECT TO CHANGE AND THE CONTROLLER ENGINEERING ORGANIZATION SHOULD BE CONTACTED FOR THE LATEST REVISION.</small> | | OWN: Y. YIN CHK: G. BAILEY APVD: H. GUO | 08APR2015 08APR2015 08APR2015 | TE Connectivity Harrisburg, PA 17105-3608 |
| DIMENSIONS: mm TOLERANCES UNLESS OTHERWISE SPECIFIED: 0 PLC ± 1 PLC ± 2 PLC ± 3 PLC ± 4 PLC ± ANGLES FINISH ± | | NAME: Ocean Side Feed Applicator APPLICATION SPEC: | SIZE: A1 CAGE CODE: 00779 DRAWING NO: C=2266750 | RESTRICTED TO: |
| MATERIAL: | | WEIGHT: | SCALE: 1:2 SHEET: 4 of 4 REV: C | Customer Accessible Production Drawing |