

| PART NUMBER | REVISION | DESCRIPTION | FEED TYPE |
|-------------|----------|----------------------------------|------------|
| 2266729-1 | B | FINE CRIMP HEIGHT ADJUST | MECHANICAL |
| 2266729-2 | B | FINE CRIMP HEIGHT ADJUST | PNEUMATIC |
| 7-2266729-1 | B | MECHANICAL AND CRIMP TOOLING KIT | MECHANICAL |
| 7-2266729-2 | B | PNEUMATIC AND CRIMP TOOLING KIT | PNEUMATIC |
| 7-2266729-7 | A | CRIMP TOOLING KIT | - |

ATLANTIC VERSION TERMINATOR INTERFACE ADAPTER



| APPLICATOR DATA | | |
|-----------------|----------------|------|
| CRIMP | SIZE | TYPE |
| WIRE | 1.75 mm [.069] | F |
| INSUL | 4.70 mm [.185] | O |

APPLICATOR INSTRUCTIONS 408-35042

| TERMINAL DATA: DELPHI TERMINAL DELPHI CRIMP SPECIFICATION | | | | |
|---|---------------------------|------------------------------------|-------------|--------------------------------|
| TERMINAL NAME: TERMINAL | | | | |
| WIRE STRIP LENGTH | INSULATION DIAMETER RANGE | TERMINAL APPLICATION SPECIFICATION | | |
| 4.87-5.63 mm [.192-.222 IN] | ∅ | 15304718 PAGE 1 OF 20 | - | - |
| TERMINALS APPLIED | | | | |
| TE TERMINAL | DELPHI TERMINAL | TE SEAL | DELPHI SEAL | SEAL INSULATION DIAMETER RANGE |
| 1572657-1 | 15304718 | 286968-1 | 15366065 | ∅1.2-1.9 |
| 286967-1 | 15304730 | - | - | - |

| TERMINAL DATA: DELPHI TERMINAL DELPHI CRIMP SPECIFICATION | | | | |
|---|---------------------------|------------------------------------|-------------|--------------------------------|
| TERMINAL NAME: TERMINAL | | | | |
| WIRE STRIP LENGTH | INSULATION DIAMETER RANGE | TERMINAL APPLICATION SPECIFICATION | | |
| 4.87-5.63 mm [.192-.222 IN] | ∅ | 15304718 PAGE 1 OF 20 | - | - |
| TERMINALS APPLIED | | | | |
| TE TERMINAL | DELPHI TERMINAL | TE SEAL | DELPHI SEAL | SEAL INSULATION DIAMETER RANGE |
| 1572657-1 | 15304718 | - | - | - |
| 286967-1 | 15304730 | 1572498-1 | 15366066 | ∅1.86-2.40 |

| WIRE SIZE | CRIMP HEIGHT mm [INCH] | CRIMP HEIGHT REFERENCE SETTING |
|-----------|----------------------------|--------------------------------|
| 0.50mm2 | 1.10+/-0.05 [.043+/- .002] | 7.7 |
| 0.35mm2 | 1.05+/-0.05 [.041+/- .002] | 8.2 |

| WIRE SIZE | CRIMP HEIGHT mm [INCH] | CRIMP HEIGHT REFERENCE SETTING |
|-----------|----------------------------|--------------------------------|
| 0.50mm2 | 1.10+/-0.05 [.043+/- .002] | 7.7 |

- 1. RECOMMENDED SPARE PARTS
- 2. REFER TO SUPPLIED INSTRUCTION SHEET FOR CLEANING, LUBRICATION AND STORAGE OF APPLICATOR.
- 3. APPLY PART NUMBER 2-23419-6 LOCTITE TO THREADS OF ITEM 242.
- 4. CRIMP HEIGHT REFERENCE SETTING WAS THE SETTING USED WHEN THE APPLICATOR WAS QUALIFIED AT THE FACTORY. ADJUSTMENT MAY BE NECESSARY WHEN RUNNING APPLICATOR IN THE FIELD.
- 5. APPLY TORO-SEAL IN ALLEN SOCKET TO FILL HOLE AFTER FLAT HD HAS BEEN ADJUSTED TO CORRECT HEIGHT AT QUALIFICATION. APPLY #1-23419-5 LOC-TITE TO THREADS.
- 6. UNLESS SPECIFIED OTHERWISE TORQUE VALUES SHALL BE USED PER DOCUMENT, 101-35000.
- 7. WHEN SWITCHING TERMINALS, ITEMS 24, 29, 51 AND 56 WILL NEED TO BE ADJUSTED ACCORDINGLY.

***WARNING**
ON INSTALLATION, SET WIRE DISC TO CRIMP HEIGHT REFERENCE SETTING FOR LARGEST WIRE SIZE. CRIMP HEIGHT REFERENCE SETTINGS GREATER THAN THE VALUE SHOWN MAY CAUSE DAMAGE TO THE CRIMP TOOLING. REFER TO THE INSTRUCTION SHEET FOR PROPER SETUP AND ADJUSTMENTS.

ATLANTIC VERSION
Shown on sheets 1 of 4 & 2 of 4
(Pacific version shown on sheets 3 of 4 & 4 of 4)

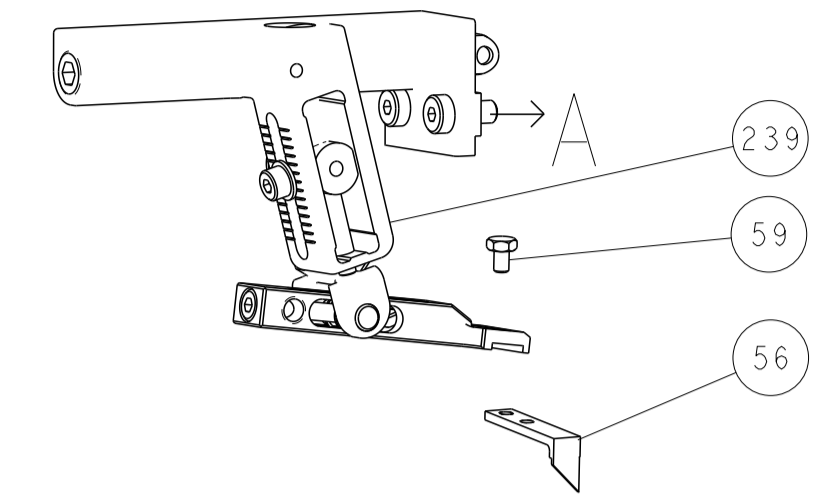
| LOC | DIST | REVISIONS | | | | | |
|-----|------|-----------|-----|---------------|-----------|-----|------|
| A | 66 | P | LTN | DESCRIPTION | DATE | OWN | APVD |
| | | A | | RELEASED | 28MAY2015 | BH | BH |
| | | B | | ECR-19-001447 | 29JAN2019 | TB | CT |
| | | B1 | | ECR-22-128224 | 31JAN2022 | JWC | TE |

| | | | | | | | | |
|---|-----|-----|-----|-----|-------------|-------------------------------------|-------------------------------|---|
| - | 1 | - | 1 | - | 2119640-1 | PUSH ROD, AIR FEED | 250 | |
| - | 1 | - | 1 | - | 1803259-1 | BUSHING, FLANGED | 249 | |
| - | 1 | - | 1 | - | 2119641-1 | FEED CAM, AIR FEED | 248 | |
| - | 1 | 1 | 1 | 1 | 2119082-2 | CAM, SNAIL, INSULATION ADJUSTMENT | 244 | |
| - | 1 | 1 | 1 | 1 | 2079764-1 | WASHER, WAVE SPRING, CREST-TO-CREST | 243 | |
| 3 | - | 1 | 1 | 1 | 2119083-1 | RETAINER, INSULATION DIAL | 242 | |
| - | 1 | 1 | 1 | 1 | 7-18023-7 | SCR, SKT HD CAP M3 X 4.0 | 241 | |
| - | - | 1 | - | 1 | 2119580-1 | MECHANICAL FEED ASSEMBLY | 239 | |
| - | 1 | - | 1 | - | 2063440-1 | AIR FEED MODULE | 238 | |
| - | 2 | - | 2 | - | 21045-3 | RING, RETAIN, EXTERN, 3/16 CRESCENT | 172 | |
| - | REF | REF | REF | REF | 994970-2 | COUNTER, MAGNETIC | 164 | |
| - | 1 | - | 1 | - | 240638-1 | SPRING, FEED FINGER | 163 | |
| - | 1 | - | 1 | - | 3-23627-7 | PIN, RETAIN, GRVD, 3/16 X .854 | 137 | |
| - | 1 | - | 1 | - | 2119799-1 | HOLDER, FEED FINGER, AF | 136 | |
| - | 1 | 1 | 1 | 1 | 2844908-1 | SCREW, LOCKING | 99 | |
| - | 1 | 1 | 1 | 1 | 2844907-1 | POST, LOCKING | 98 | |
| - | 1 | 1 | 1 | 1 | 455888-5 | SPACER, CRIMPER | 82 | |
| - | 2 | 2 | 2 | 2 | 2079383-4 | SCR, BHSC, RoHS (M4 X 8) | 79 | |
| - | 1 | 1 | 1 | 1 | 1803096-1 | EXTENSION PLATE | 78 | |
| - | 1 | 1 | 1 | 1 | 1803607-1 | DOCUMENTATION PACKAGE | 71 | |
| - | 1 | 1 | 1 | 1 | 2119740-1 | TAG, IDENTIFICATION | 67 | |
| - | 2 | 2 | 2 | 2 | 2168078-1 | SCREW, DRIVE, RH, RoHS, 2 x .188 | 66 | |
| - | 1 | 1 | 1 | 1 | 2168083-2 | SCR, SKT HD CAP, RoHS, M4 X 8.0 | 60 | |
| - | 1 | 1 | 1 | 1 | 5-18022-5 | SCR, HEX HD CAP, M4 X 6.0 | 59 | |
| 5 | - | 1 | 1 | 1 | 985575-3 | SCR, FLT SKT HD CAP M3 X 10.0 | 57 | |
| 7 | - | 1 | 1 | 1 | 1338685-1 | PAWL, FEED | 56 | |
| - | 4 | 4 | 4 | 4 | 2168083-3 | SCR, SKT HD CAP, RoHS, M4 X 12.0 | 54 | |
| - | 2 | 2 | 2 | 2 | 1-2168083-0 | SCR, SKT HD CAP, RoHS, M4 X 10 | 53 | |
| - | 1 | 1 | 1 | 1 | 5018030-1 | NUT, HEX, REG, RoHS, M3 | 52 | |
| 7 | - | 1 | 1 | 1 | 811242-5 | BUMPER, HOLD DOWN | 51 | |
| - | 1 | 1 | 1 | 1 | 690753-2 | SPACER, TONKER | 50 | |
| - | 1 | 2 | 1 | 2 | 18023-9 | SCR, SKT HD CAP M4 X 6.0 | 49 | |
| - | - | 1 | - | 1 | 2119652-1 | FEED CAM, PRE FEED | 48 | |
| - | - | 1 | - | 1 | 2119653-1 | FEED CAM, POST FEED | 47 | |
| - | 1 | 1 | 1 | 1 | 1803583-9 | APPLICATOR BASIC ASSEMBLY, SF | 46 | |
| - | 1 | 1 | 1 | 1 | 1803515-1 | RAM ASSEMBLY, SF ATLANTIC | 44 | |
| - | 1 | 1 | 1 | 1 | 1803602-1 | SCR, BHSC, RoHS (M8 X 25) | 41 | |
| - | 1 | 1 | 1 | 1 | 1752356-1 | SUPPORT, TERMINAL | 34 | |
| - | 2 | 2 | 2 | 2 | 2079383-5 | SCR, BHSC, RoHS (M4 X 20) | 33 | |
| - | 2 | 2 | 2 | 2 | 1-2844962-5 | SPACER, CYLINDRICAL, STRIP GUIDE | 30 | |
| 7 | - | 1 | 1 | 1 | 2844992-1 | ASSEMBLY, STRIP GUIDE | 29 | |
| - | 1 | 1 | 1 | 1 | 455888-3 | SPACER, CRIMPER | 28 | |
| 7 | - | 1 | 1 | 1 | 1320928-4 | STRIP GUIDE | 24 | |
| - | 1 | 1 | 1 | 1 | 2168083-2 | SCR, SKT HD CAP, RoHS, M4 X 8.0 | 21 | |
| - | 2 | 2 | 2 | 2 | 1-18028-2 | WASHER, FLAT, REG M4 | 20 | |
| - | 1 | 1 | 1 | 1 | 2119533-1 | STRIPPER, SIDE FEED | 19 | |
| 1 | - | 1 | 1 | 1 | 2119806-1 | INSERT, SHEAR | 13 | |
| - | 1 | 1 | 1 | 1 | 3-22280-3 | SPRING, COMPRESSION | 12 | |
| - | 1 | 1 | 1 | 1 | 1-356885-4 | STOP, SHEAR | 11 | |
| 1 | - | 1 | 1 | 1 | 2119805-1 | SHEAR HOLDER, FRONT | 10 | |
| 1 | - | 1 | 1 | 1 | 318707-1 | FLOATING SHEAR, FRONT | 9 | |
| 1 | 1 | 2 | 2 | 1 | 1 | 5-1803056-0 | ANVIL, COMBINATION | 8 |
| - | - | - | - | - | - | - | 7 | |
| - | - | - | - | - | - | - | 6 | |
| - | 1 | 1 | 1 | 1 | 2-2119781-4 | DEPRESSOR, SHEAR | 5 | |
| - | 1 | 1 | 1 | 1 | 238011-4 | BLOCK, CRIMPER SPACER | 4 | |
| 1 | 1 | 2 | 2 | 1 | 1 | 9-1633965-2 | CRIMPER, INSULATION O PREMIUM | 3 |
| - | 1 | 1 | 1 | 1 | 1-455888-5 | SPACER, CRIMPER | 2 | |
| 1 | 1 | 2 | 2 | 1 | 1 | 2-1633609-6 | CRIMPER, WIRE | 1 |

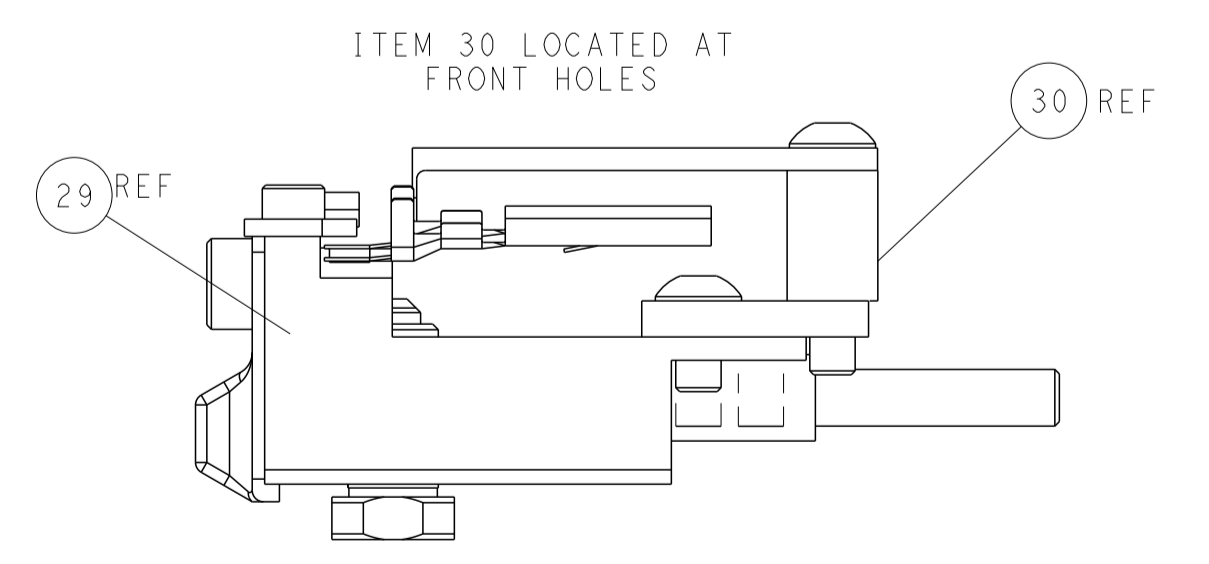
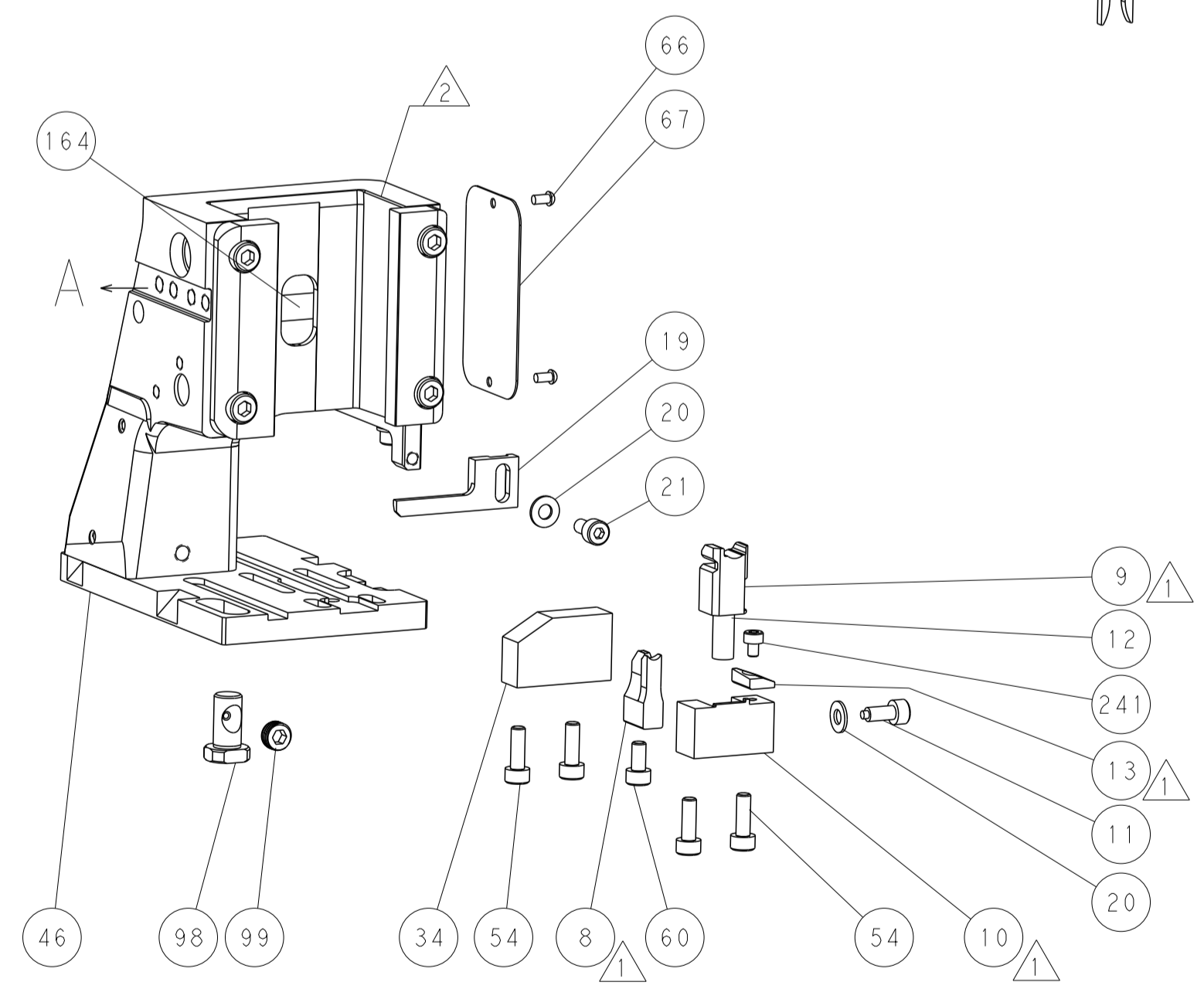
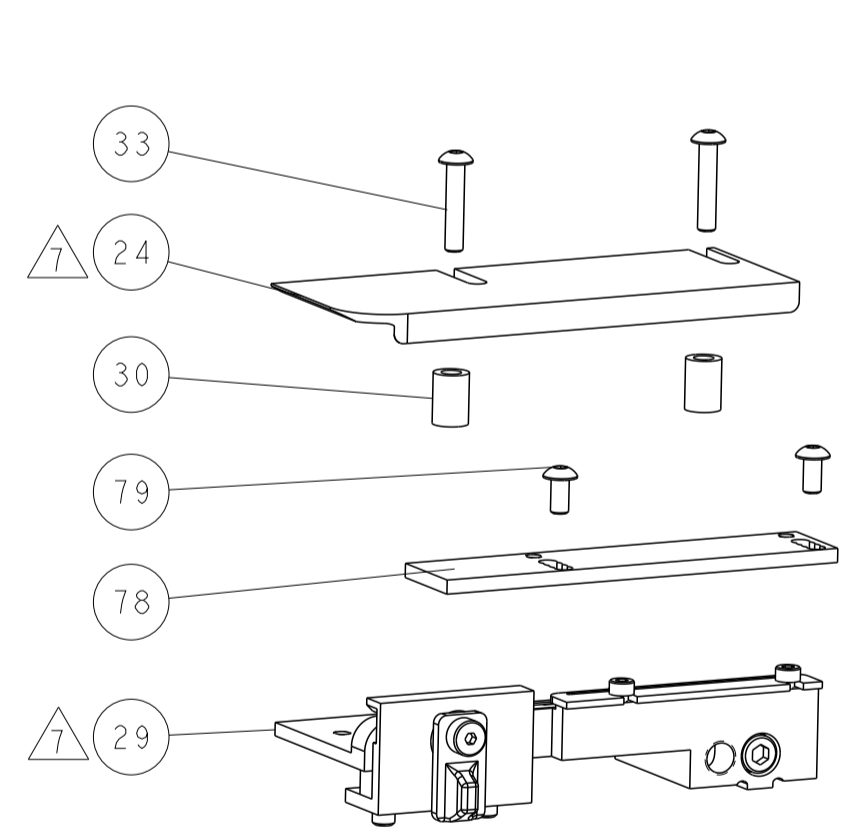
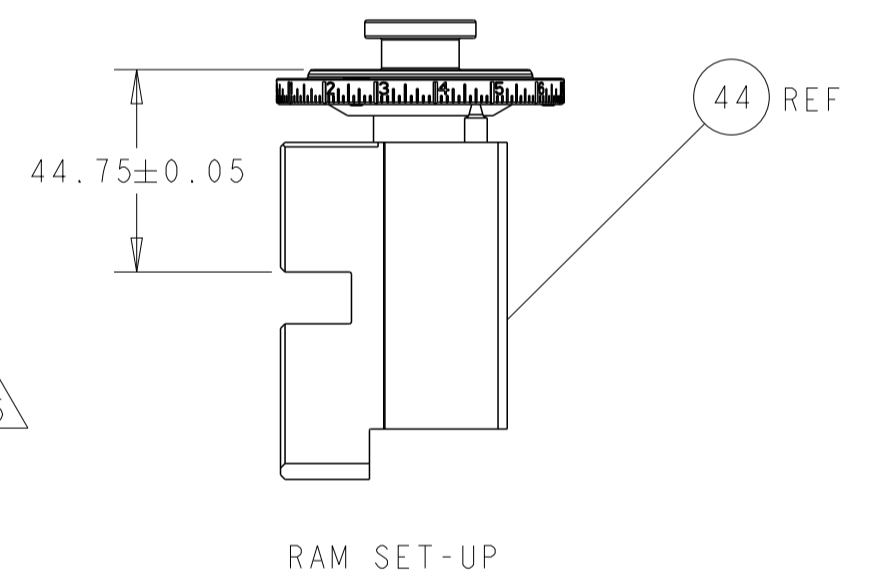
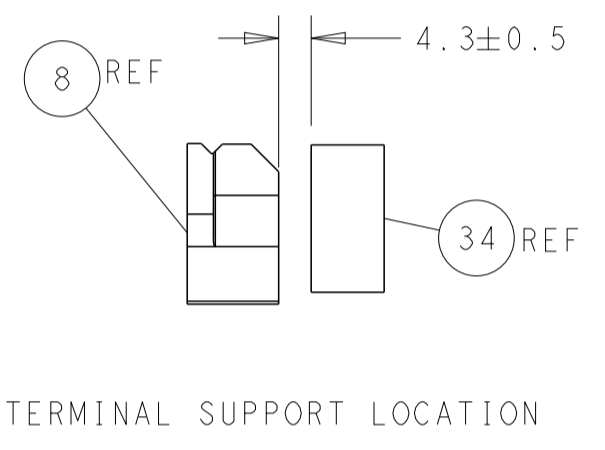
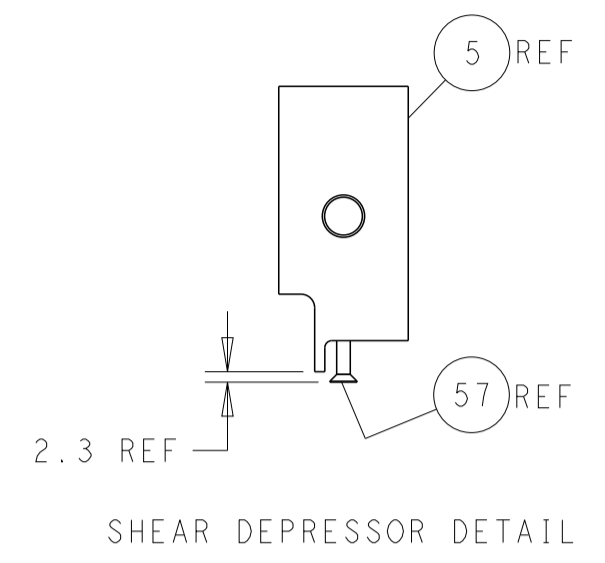
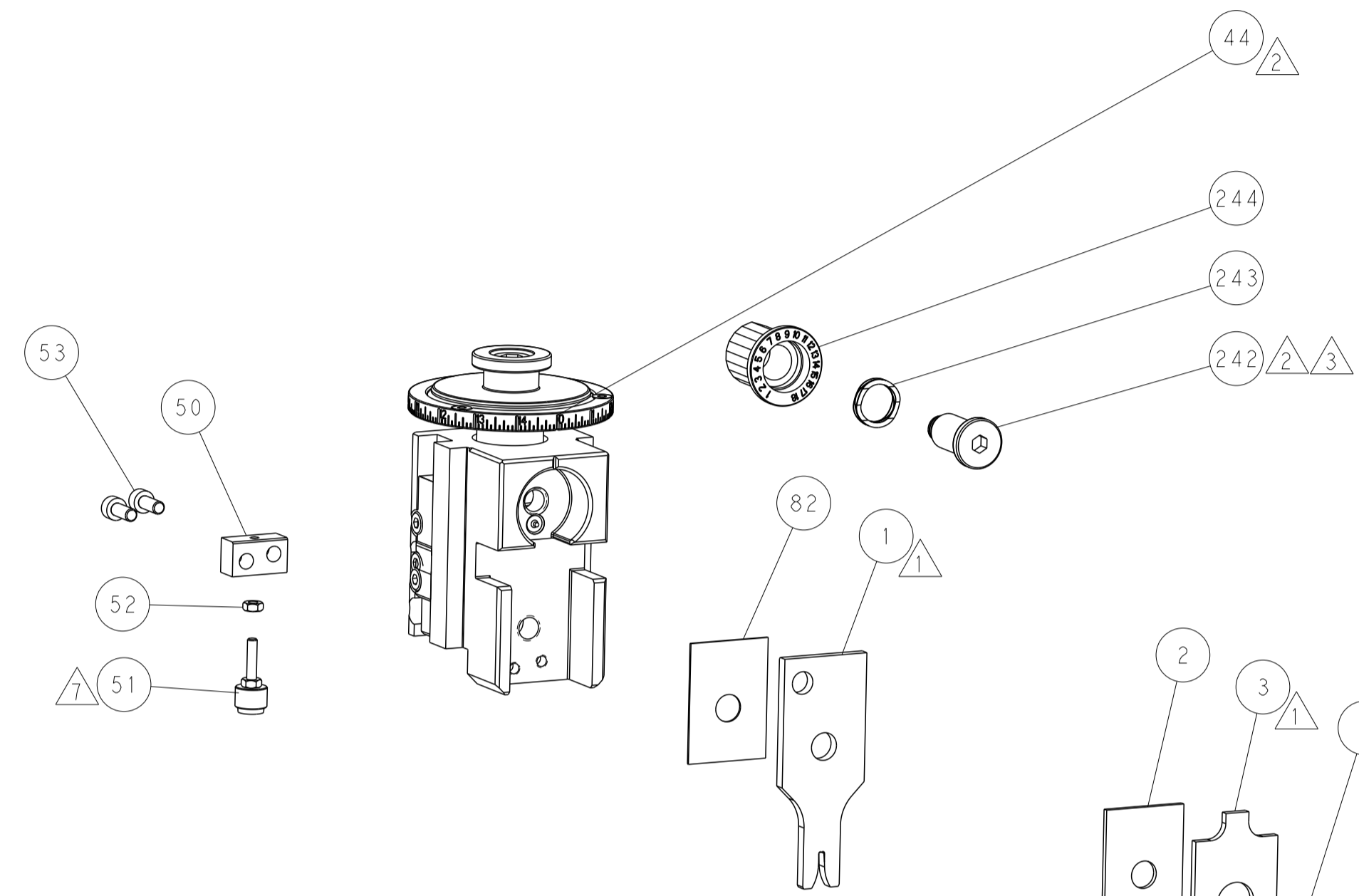
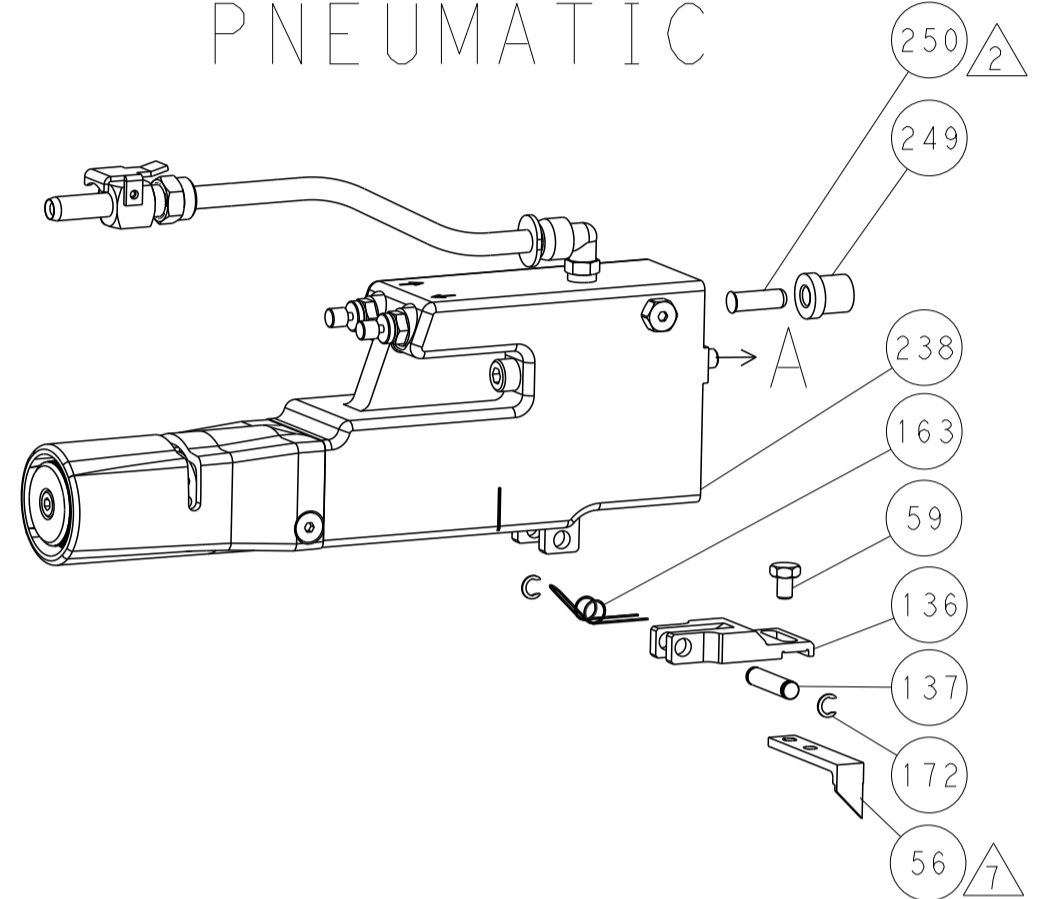
| DIMENSIONS: | | TOLERANCES UNLESS OTHERWISE SPECIFIED: | | MATERIAL: | | FINISH: | | WEIGHT: | | SCALE: | | SHEET: | | REV: | |
|-------------|---------|--|---------|-----------|---------|---------|--------|---------|--|--------|-------|---------|---|------|----|
| mm | 0 PLC ± | 1 PLC ± | 2 PLC ± | 3 PLC ± | 4 PLC ± | ANGLES | FINISH | | | A1 | 00779 | 2266729 | 1 | 4 | B1 |

| LOC | DIST | REVISIONS | | | | | |
|-----|------|-----------|-----|-------------|------|-----|------|
| A | 66 | P | LTN | DESCRIPTION | DATE | DWN | APVD |
| | | - | | SEE SHEET 1 | | | |

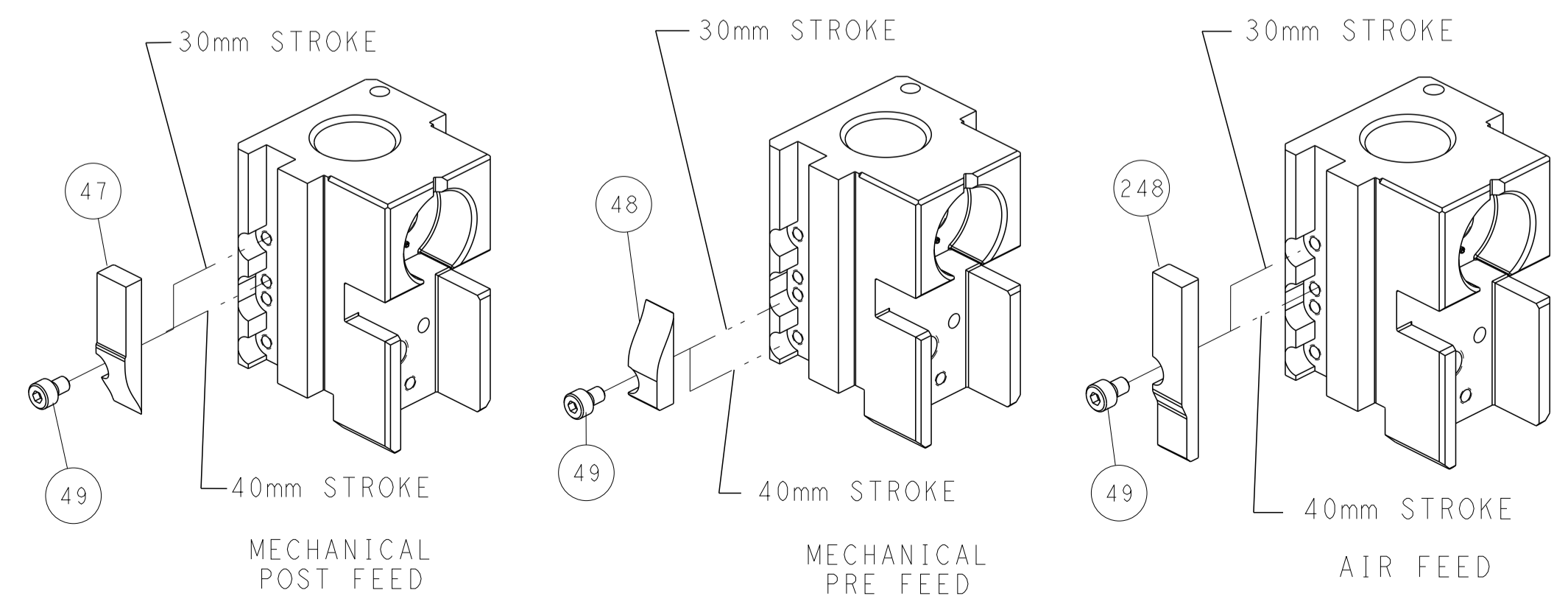
FEED TYPE MECHANICAL



PNEUMATIC



CAM POSITIONS



ATLANTIC VERSION
 Shown on sheets 1 of 4 & 2 of 4
 (Pacific version shown on sheets 3 of 4 & 4 of 4)

| | | | | | | | |
|--|--|---|--|---|--|---|--|
| DIMENSIONS: mm | | TOLERANCES UNLESS OTHERWISE SPECIFIED: 0 PLC ± 1 PLC ± 2 PLC ± 3 PLC ± 4 PLC ± ANGLES ± | | DWN BOB HIGMAN ZOMAR2015 CHK T. ELBIN ZOMAR2015 APVD T. ELBIN ZOMAR2015 PRODUCT SPEC APPLICATION SPEC WEIGHT MATERIAL | | NAME Ocean Side Feed Applicator SIZE CAGE CODE DRAWING NO A1 00779 ©=2266729 SCALE 1:2 SHEET 2 OF 4 REV B1 | |
| Customer Accessible Production Drawing | | | | RESTRICTED TO | | | |

| PART NUMBER | REVISION | DESCRIPTION | FEED TYPE |
|-------------|----------|--------------------------|------------|
| 2-2266729-1 | B | FINE CRIMP HEIGHT ADJUST | MECHANICAL |
| 2-2266729-2 | B | FINE CRIMP HEIGHT ADJUST | PNEUMATIC |
| 7-2266729-7 | A | CRIMP TOOLING KIT | - |

PACIFIC VERSION TERMINATOR
INTERFACE ADAPTER



| APPLICATOR DATA | | |
|--------------------------------------|----------------|------|
| CRIMP | SIZE | TYPE |
| WIRE | 1.75 mm [.069] | F |
| INSUL | 4.70 mm [.185] | O |
| APPLICATOR INSTRUCTIONS 408-35042 | | |

| TERMINAL DATA: DELPHI TERMINAL DELPHI CRIMP SPECIFICATION | | | | |
|---|---------------------------|----------|-------------|--------------------------------|
| TERMINAL NAME: TERMINAL | | | | |
| WIRE STRIP LENGTH | INSULATION DIAMETER RANGE | TE SEAL | DELPHI SEAL | SEAL INSULATION DIAMETER RANGE |
| 4.87-5.63 mm [.192-.222 IN] | Ø | - | - | Ø1.2-1.9 |
| TERMINAL APPLICATION SPECIFICATION 15304718 PAGE 1 OF 20 | | | | |
| TERMINALS APPLIED | | | | |
| TE TERMINAL | DELPHI TERMINAL | TE SEAL | DELPHI SEAL | SEAL INSULATION DIAMETER RANGE |
| 1572657-1 | 15304718 | 286968-1 | 15366065 | Ø1.2-1.9 |
| 286967-1 | 15304730 | - | - | - |

| TERMINAL DATA: DELPHI TERMINAL DELPHI CRIMP SPECIFICATION | | | | |
|---|---------------------------|-----------|-------------|--------------------------------|
| TERMINAL NAME: TERMINAL | | | | |
| WIRE STRIP LENGTH | INSULATION DIAMETER RANGE | TE SEAL | DELPHI SEAL | SEAL INSULATION DIAMETER RANGE |
| 4.87-5.63 mm [.192-.222 IN] | Ø | - | - | Ø1.86-2.40 |
| TERMINAL APPLICATION SPECIFICATION 15304718 PAGE 1 OF 20 | | | | |
| TERMINALS APPLIED | | | | |
| TE TERMINAL | DELPHI TERMINAL | TE SEAL | DELPHI SEAL | SEAL INSULATION DIAMETER RANGE |
| 1572657-1 | 15304718 | - | - | - |
| 286967-1 | 15304730 | 1572498-1 | 15366066 | Ø1.86-2.40 |

| WIRE SIZE | CRIMP HEIGHT mm [INCH] | CRIMP HEIGHT REFERENCE SETTING |
|-----------|----------------------------|--------------------------------|
| 0.50mm2 | 1.10+/-0.05 [.043+/-0.002] | 7.7 |
| 0.35mm2 | 1.05+/-0.05 [.041+/-0.002] | 8.2 |

| WIRE SIZE | CRIMP HEIGHT mm [INCH] | CRIMP HEIGHT REFERENCE SETTING |
|-----------|----------------------------|--------------------------------|
| 0.50mm2 | 1.10+/-0.05 [.043+/-0.002] | 7.7 |



- 1. RECOMMENDED SPARE PARTS
- 2. REFER TO SUPPLIED INSTRUCTION SHEET FOR CLEANING, LUBRICATION AND STORAGE OF APPLICATOR.
- 3. APPLY PART NUMBER 2-23419-6 LOCTITE TO THREADS OF ITEM 242.
- 4. CRIMP HEIGHT REFERENCE SETTING WAS THE SETTING USED WHEN THE APPLICATOR WAS QUALIFIED AT THE FACTORY. ADJUSTMENT MAY BE NECESSARY WHEN RUNNING APPLICATOR IN THE FIELD.
- 5. APPLY TORQ-SEAL IN ALLEN SOCKET TO FILL HOLE AFTER FLAT HD HAS BEEN ADJUSTED TO CORRECT HEIGHT AT QUALIFICATION. APPLY #1-23419-5 LOC-TITE TO THREADS.
- 6. UNLESS SPECIFIED OTHERWISE TORQUE VALUES SHALL BE USED PER DOCUMENT, 101-35000.
- 7. WHEN SWITCHING TERMINALS, ITEMS 24, 29, 51 AND 56 WILL NEED TO BE ADJUSTED ACCORDINGLY.

***WARNING**
ON INSTALLATION, SET WIRE DISC TO CRIMP HEIGHT REFERENCE SETTING FOR LARGEST WIRE SIZE. CRIMP HEIGHT REFERENCE SETTINGS GREATER THAN THE VALUE SHOWN MAY CAUSE DAMAGE TO THE CRIMP TOOLING. REFER TO THE INSTRUCTION SHEET FOR PROPER SETUP AND ADJUSTMENTS.

| LOC | DIST | REV | DATE | BY | APPV |
|-----|------|-----|------|----|------|
| A | 66 | - | - | - | - |

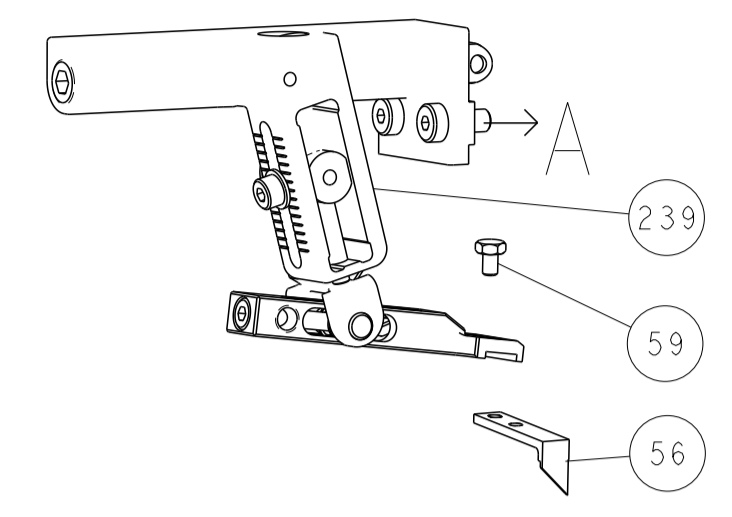
| REV | DATE | BY | APPV | DESCRIPTION | ITEM NO | |
|-----|------|-----|------|-------------|-------------------------------------|-----|
| - | 1 | - | - | 2119640-1 | PUSH ROD, AIR FEED | 250 |
| - | 1 | - | - | 1803259-1 | BUSHING, FLANGED | 249 |
| - | 1 | 1 | - | 2119082-2 | CAM, SNAIL, INSULATION ADJUSTMENT | 244 |
| - | 1 | 1 | - | 2079764-1 | WASHER, WAVE SPRING, CREST-TO-CREST | 243 |
| - | 1 | 1 | - | 2119083-1 | RETAINER, INSULATION DIAL | 242 |
| - | 1 | 1 | - | 7-18023-7 | SCR, SKT HD CAP M3 X 4.0 | 241 |
| - | - | 1 | - | 2119580-1 | MECHANICAL FEED ASSEMBLY | 239 |
| - | 1 | - | - | 2063440-1 | AIR FEED MODULE | 238 |
| - | 2 | - | - | 21045-3 | RING, RETAIN, EXTERN, 3/16 CRESCENT | 172 |
| - | REF | REF | - | 994970-2 | COUNTER, MAGNETIC | 164 |
| - | 1 | - | - | 240638-1 | SPRING, FEED FINGER | 163 |
| - | 1 | - | - | 2119641-2 | FEED CAM, AIR FEED | 151 |
| - | 1 | 1 | - | 2168083-8 | SCR, SKT HD CAP, RoHS, M4 X 16 | 144 |
| - | 4 | 4 | - | 2168083-9 | SCR, SKT HD CAP, RoHS, M4 X 20 | 143 |
| - | - | 1 | - | 2119653-2 | FEED CAM, POST FEED | 142 |
| - | 1 | 1 | - | 1-1803583-0 | APPLICATOR BASIC ASSEMBLY, SF | 141 |
| - | 1 | 1 | - | 1803516-1 | RAM ASSEMBLY, SF PACIFIC | 140 |
| - | 1 | - | - | 3-23627-7 | PIN, RETAIN, GRVD, 3/16 X .854 | 137 |
| - | 1 | - | - | 2119799-1 | HOLDER, FEED FINGER, AF | 136 |
| - | 1 | 1 | - | 2844908-1 | SCREW, LOCKING | 99 |
| - | 1 | 1 | - | 2844907-1 | POST, LOCKING | 98 |
| - | 1 | 1 | - | 455888-5 | SPACER, CRIMPER | 82 |
| - | 2 | 2 | - | 2079383-4 | SCR, BHSC, RoHS (M4 X 8) | 79 |
| - | 1 | 1 | - | 1803096-1 | EXTENSION PLATE | 78 |
| - | 1 | 1 | - | 1803607-1 | DOCUMENTATION PACKAGE | 71 |
| - | 1 | 1 | - | 2119740-1 | TAG, IDENTIFICATION | 67 |
| - | 2 | 2 | - | 2168078-1 | SCREW, DRIVE, RH, RoHS, 2 x .188 | 66 |
| - | 1 | 1 | - | 5-18022-5 | SCR, HEX HD CAP, M4 X 6.0 | 59 |
| - | 1 | 1 | - | 985575-3 | SCR, FLT SKT HD CAP M3 X 10.0 | 57 |
| - | 1 | 1 | - | 1338685-1 | PAWL, FEED | 56 |
| - | 2 | 2 | - | 1-2168083-0 | SCR, SKT HD CAP, RoHS, M4 X 10 | 53 |
| - | 1 | 1 | - | 5018030-1 | NUT, HEX, REG, RoHS, M3 | 52 |
| - | 1 | 1 | - | 811242-5 | BUMPER, HOLD DOWN | 51 |
| - | 1 | 1 | - | 690753-2 | SPACER, TONKER | 50 |
| - | 1 | 2 | - | 18023-9 | SCR, SKT HD CAP M4 X 6.0 | 49 |
| - | - | 1 | - | 2119652-1 | FEED CAM, PRE FEED | 48 |
| - | 1 | 1 | - | 1803602-1 | SCR, BHSC, RoHS (M8 X 25) | 41 |
| - | 1 | 1 | - | 1752356-1 | SUPPORT, TERMINAL | 34 |
| - | 2 | 2 | - | 2079383-5 | SCR, BHSC, RoHS (M4 X 20) | 33 |
| - | 2 | 2 | - | 1-2844962-5 | SPACER, CYLINDRICAL, STRIP GUIDE | 30 |
| - | 1 | 1 | - | 2844992-1 | ASSEMBLY, STRIP GUIDE | 29 |
| - | 1 | 1 | - | 455888-3 | SPACER, CRIMPER | 28 |
| - | 1 | 1 | - | 1320928-4 | STRIP GUIDE | 24 |
| - | 1 | 1 | - | 2168083-2 | SCR, SKT HD CAP, RoHS, M4 X 8.0 | 21 |
| - | 2 | 2 | - | 1-18028-2 | WASHER, FLAT, REG M4 | 20 |
| - | 1 | 1 | - | 2119533-1 | STRIPPER, SIDE FEED | 19 |
| - | 1 | 1 | - | 2119806-1 | INSERT, SHEAR | 13 |
| - | 1 | 1 | - | 3-22280-3 | SPRING, COMPRESSION | 12 |
| - | 1 | 1 | - | 1-356885-4 | STOP, SHEAR | 11 |
| - | 1 | 1 | - | 2119805-1 | SHEAR HOLDER, FRONT | 10 |
| - | 1 | 1 | - | 318707-1 | FLOATING SHEAR, FRONT | 9 |
| - | 1 | 1 | 1 | 5-1803056-0 | ANVIL, COMBINATION | 8 |
| - | - | - | - | - | - | 7 |
| - | - | - | - | - | - | 6 |
| - | 1 | 1 | - | 2-2119781-4 | DEPRESSOR, SHEAR | 5 |
| - | 1 | 1 | - | 238011-4 | BLOCK, CRIMPER SPACER | 4 |
| - | 1 | 1 | 1 | 9-1633965-2 | CRIMPER, INSULATION O PREMIUM | 3 |
| - | 1 | 1 | - | 1-455888-5 | SPACER, CRIMPER | 2 |
| - | 1 | 1 | 1 | 2-1633609-6 | CRIMPER, WIRE | 1 |

PACIFIC VERSION
Shown on sheets 3 of 4 & 4 of 4
(Atlantic version shown on sheets 1 of 4 & 2 of 4)

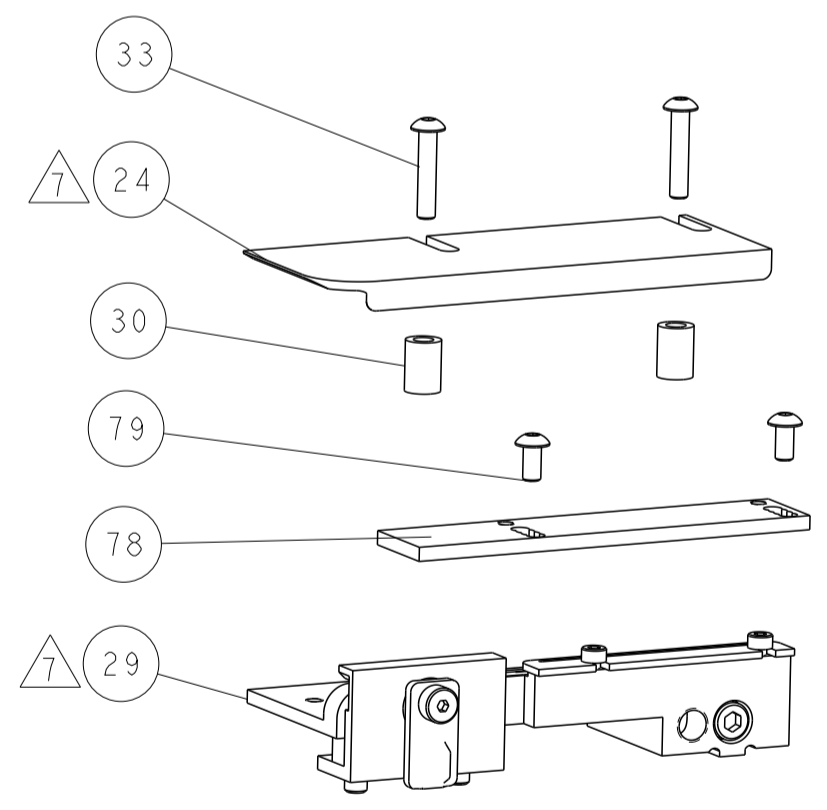
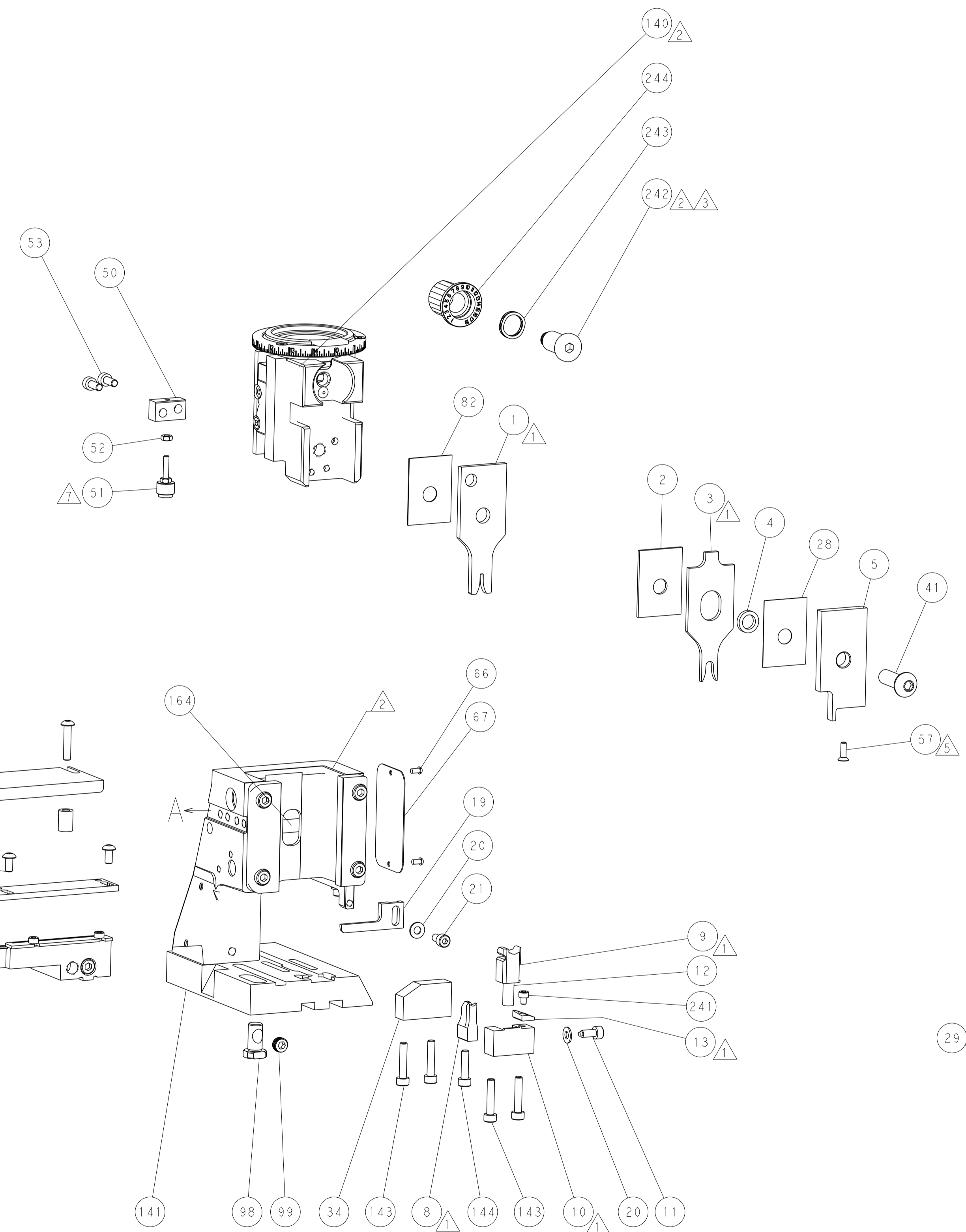
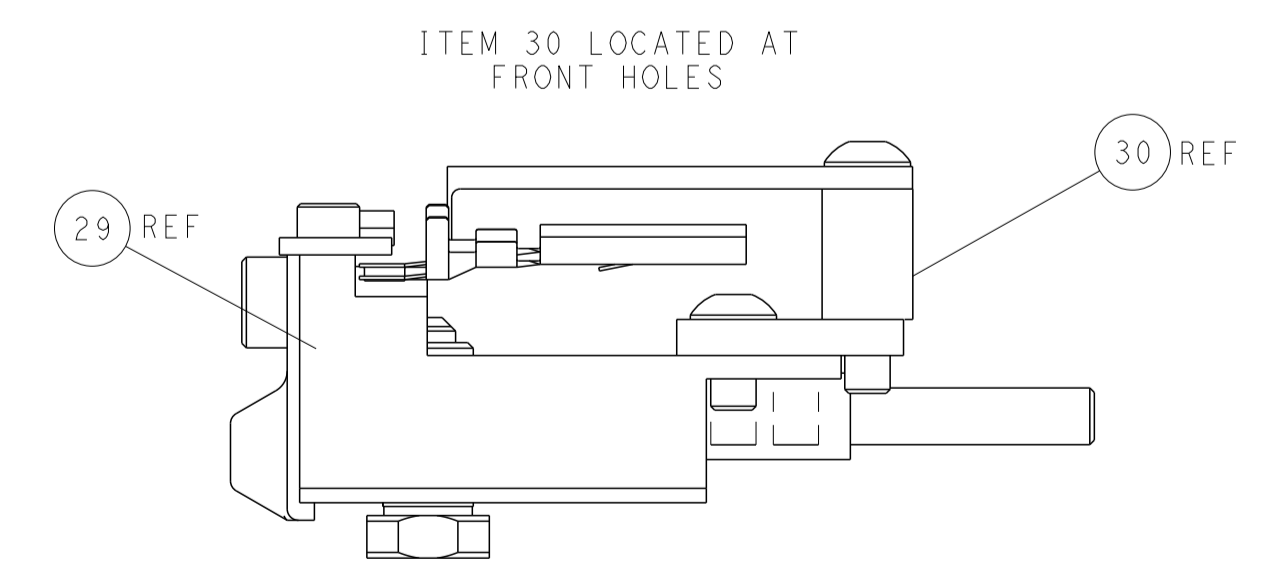
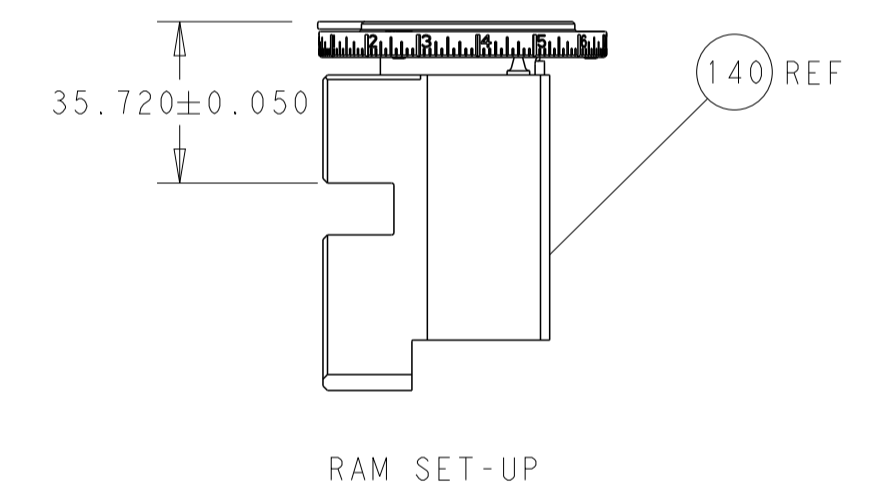
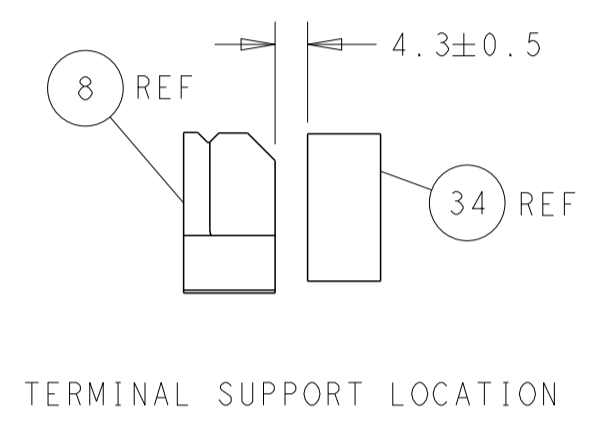
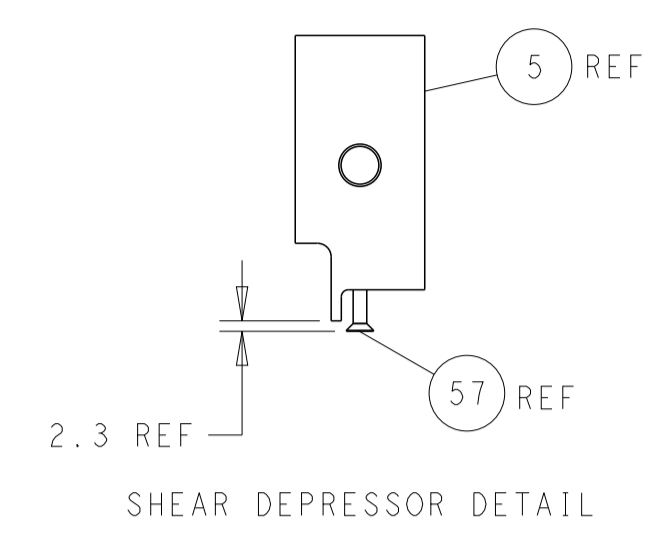
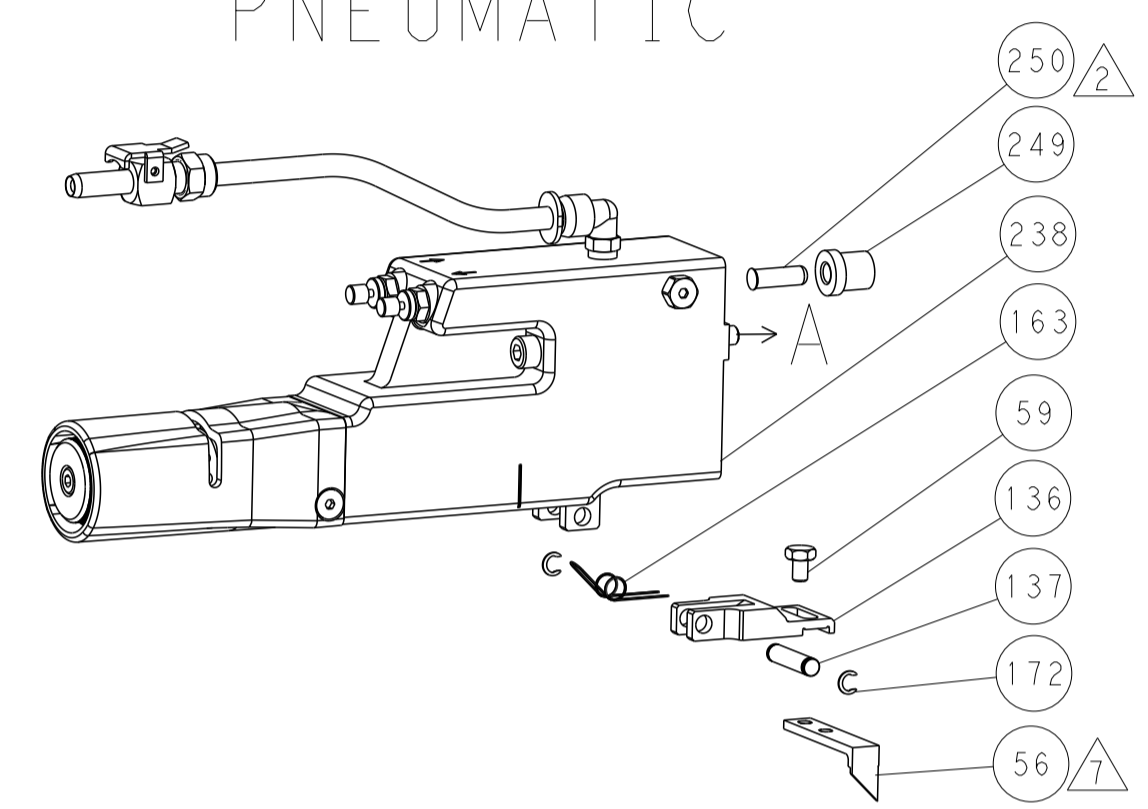
| DIMENSIONS: | TOLERANCES UNLESS OTHERWISE SPECIFIED: | APV | DATE | DESCRIPTION | ITEM NO |
|-------------|---|------------|-----------|--|----------------|
| mm | 0 PLC ±.1 1 PLC ±.1 2 PLC ±.1 3 PLC ±.1 4 PLC ±.1 ANGLES ±.1 | BOB HIGMAN | ZOMAR2015 | TE Connectivity Harrisburg, PA 17105-3608 | |
| | | T. ELBIN | ZOMAR2015 | Ocean Side Feed Applicator | |
| | | T. ELBIN | ZOMAR2015 | | |
| MATERIAL: | FINISH: | WEIGHT: | SCALE: | SIZE: | RESTRICTED TO: |
| | | | 1:2 | 00779 C=2266729 | |

| LOC | DIST | REVISIONS | | | | | |
|-----|------|-----------|-----|-------------|------|-----|------|
| A | 66 | P | LTN | DESCRIPTION | DATE | DMN | APVD |
| | | - | | SEE SHEET 1 | | | |

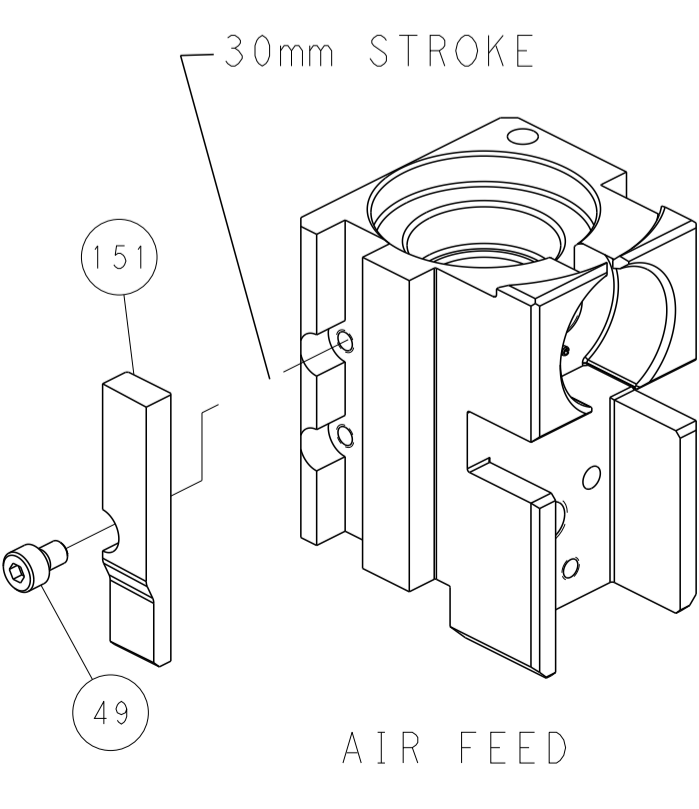
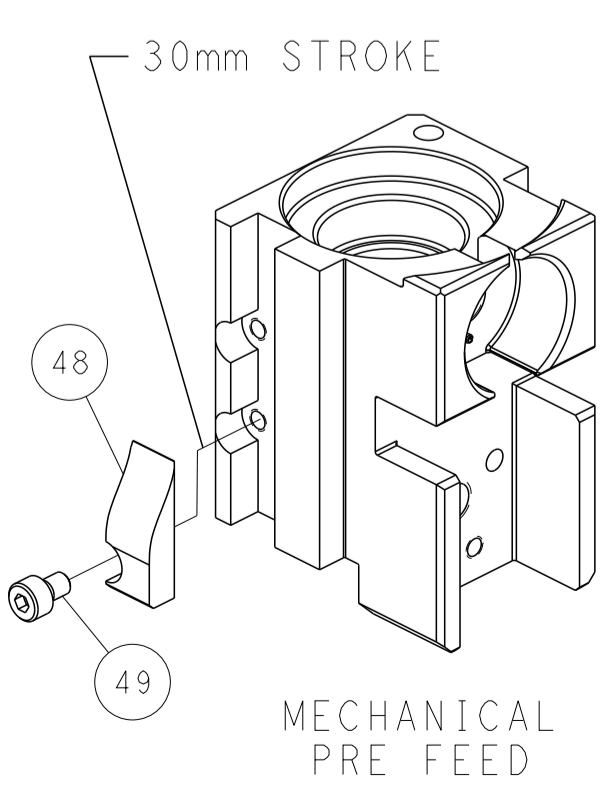
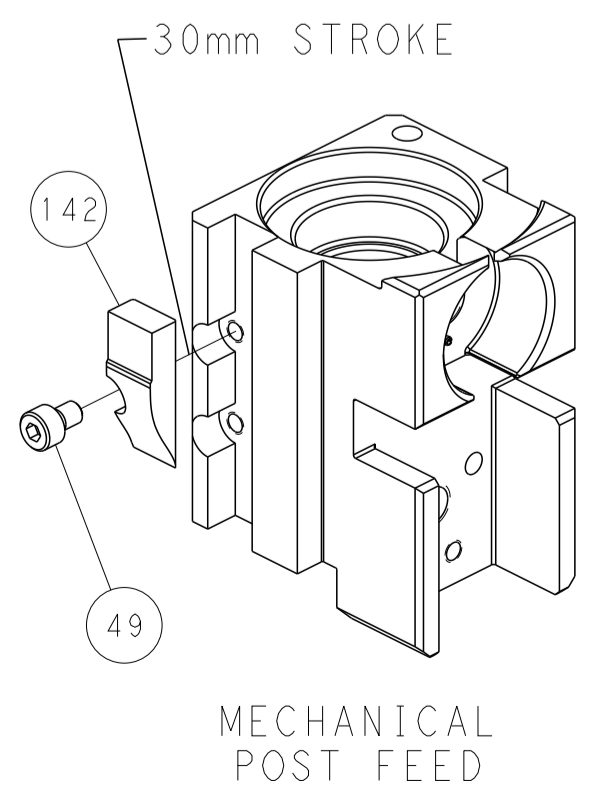
FEED TYPE MECHANICAL



PNEUMATIC



CAM POSITIONS



PACIFIC VERSION
 Shown on sheets 3 of 4 & 4 of 4
 (Atlantic version shown on sheets 1 of 4 & 2 of 4)

| | | | |
|--|--------------------------|--|--|
| <small>THIS DRAWING IS UNPUBLISHED. RELEASED FOR PUBLICATION. IT IS THE PROPERTY OF TYCO ELECTRONICS CORPORATION. IT IS TO BE USED ONLY FOR THE PURPOSES AND IN THE QUANTITIES SPECIFIED IN THE ORDER. IT IS NOT TO BE REPRODUCED OR TRANSMITTED IN ANY FORM OR BY ANY MEANS, ELECTRONIC OR MECHANICAL, INCLUDING PHOTOCOPYING, RECORDING, OR BY ANY INFORMATION STORAGE AND RETRIEVAL SYSTEM, WITHOUT THE WRITTEN PERMISSION OF TYCO ELECTRONICS CORPORATION.</small> | | DWN BOB HIGMAN ZOMAR2015 CHK T. ELBIN ZOMAR2015 APVD T. ELBIN ZOMAR2015 PRODUCT SPEC APPLICATION SPEC | TE Connectivity Harrisburg, PA 17105-3608 |
| DIMENSIONS: mm TOLERANCES UNLESS OTHERWISE SPECIFIED: 0 PLC ± 1 PLC ± 2 PLC ± 3 PLC ± 4 PLC ± ANGLES FINISH ± | MATERIAL: - FINISH: - | NAME: Ocean Side Feed Applicator SIZE: A1 CAGE CODE: 00779 DRAWING NO: 2266729 WEIGHT: - SCALE: 1:2 | RESTRICTED TO: - SHEET 4 OF 4 REV B1 |