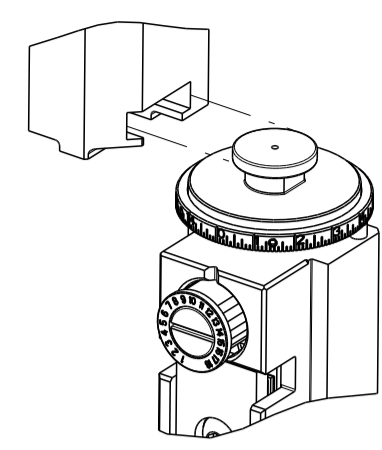


PART NUMBER	REVISION	DESCRIPTION	FEED TYPE
2266456-2	F	FINE CRIMP HEIGHT ADJUST	PNEUMATIC
7-2266456-7	F	CRIMP TOOLING KIT	-

ATLANTIC VERSION TERMINATOR
INTERFACE ADAPTER



APPLICATOR DATA

CRIMP	SIZE	TYPE
WIRE	5.33 mm [.210]	F
INSUL	7.11 mm [.280]	O

APPLICATOR INSTRUCTIONS
408-35042

TERMINAL DATA: TE TERMINAL TE CRIMP SPECIFICATION

TERMINAL NAME: MCON 8 CONTACT

WIRE STRIP LENGTH	INSULATION DIAMETER RANGE
7.60-8.20 mm [.299-.323 IN]	Ø4.00-6.50 mm [.157-.256 IN]

TERMINAL APPLICATION SPECIFICATION (B)114-94285

TERMINALS APPLIED

TE TERMINAL	TE TERMINAL	TE TERMINAL	TE TERMINAL
1-2208763-3	5-2208763-3		

TERMINAL DATA: TE TERMINAL TE CRIMP SPECIFICATION

TERMINAL NAME: MCON 8 CONTACT

WIRE STRIP LENGTH	INSULATION DIAMETER RANGE
7.60-8.20 mm [.299-.323 IN]	Ø4.00-6.50 mm [.157-.256 IN]

TERMINAL APPLICATION SPECIFICATION (B)114-94761

TERMINALS APPLIED

TE TERMINAL	TE TERMINAL	TE TERMINAL	TE TERMINAL
1-2411085-3			

WIRE SIZE	CRIMP HEIGHT mm [INCH]	CRIMP HEIGHT REFERENCE SETTING
10.00mm2	3.35 +/- 0.1 [.132 +/- .004]	3.4
6.00mm2	2.80 +/- 0.1 [.110 +/- .004]	9.5

WIRE SIZE	CRIMP HEIGHT mm [INCH]	CRIMP HEIGHT REFERENCE SETTING
6.00mm2	2.70 +/- 0.05 [.106 +/- .002]	10.5
4.00mm2	2.42 +/- 0.05 [.095 +/- .002]	13.3

***WARNING**
ON INSTALLATION, SET WIRE DISC TO CRIMP HEIGHT REFERENCE SETTING FOR LARGEST WIRE SIZE. CRIMP HEIGHT REFERENCE SETTINGS GREATER THAN THE VALUE SHOWN MAY CAUSE DAMAGE TO THE CRIMP TOOLING. REFER TO THE INSTRUCTION SHEET FOR PROPER SETUP AND ADJUSTMENTS.

- △ RECOMMENDED SPARE PARTS
- △ REFER TO SUPPLIED INSTRUCTION SHEET FOR CLEANING, LUBRICATION AND STORAGE OF APPLICATOR.
- △ APPLY PART NUMBER 2-23419-6 LOCTITE TO THREADS OF ITEM 242.
- △ CRIMP HEIGHT REFERENCE SETTING WAS THE SETTING USED WHEN THE APPLICATOR WAS QUALIFIED AT THE FACTORY. ADJUSTMENT MAY BE NECESSARY WHEN RUNNING APPLICATOR IN THE FIELD.
- △ TERMINAL LUBRICANT IS RECOMMENDED.
- 6. UNLESS SPECIFIED OTHERWISE TORQUE VALUES SHALL BE USED PER DOCUMENT, 101-35000.
- △ TERMINAL PITCH NOT COMPATIBLE WITH MECHANICAL FEED.
- △ CUT TO LENGTH AT ASSEMBLY.

LOC	DIST	REV	LTN	DESCRIPTION	DATE	OWN	APPD
A	66	F		ECR-21-122035	25NOV2021	FJ	PJ
		F1		ECR-22-136771	22APR2022	FZ	MP
		F2		ECR-22-157205	02NOV2022	TB	GB
		F3		ECR-24-202165	07MAR2024	TB	RK

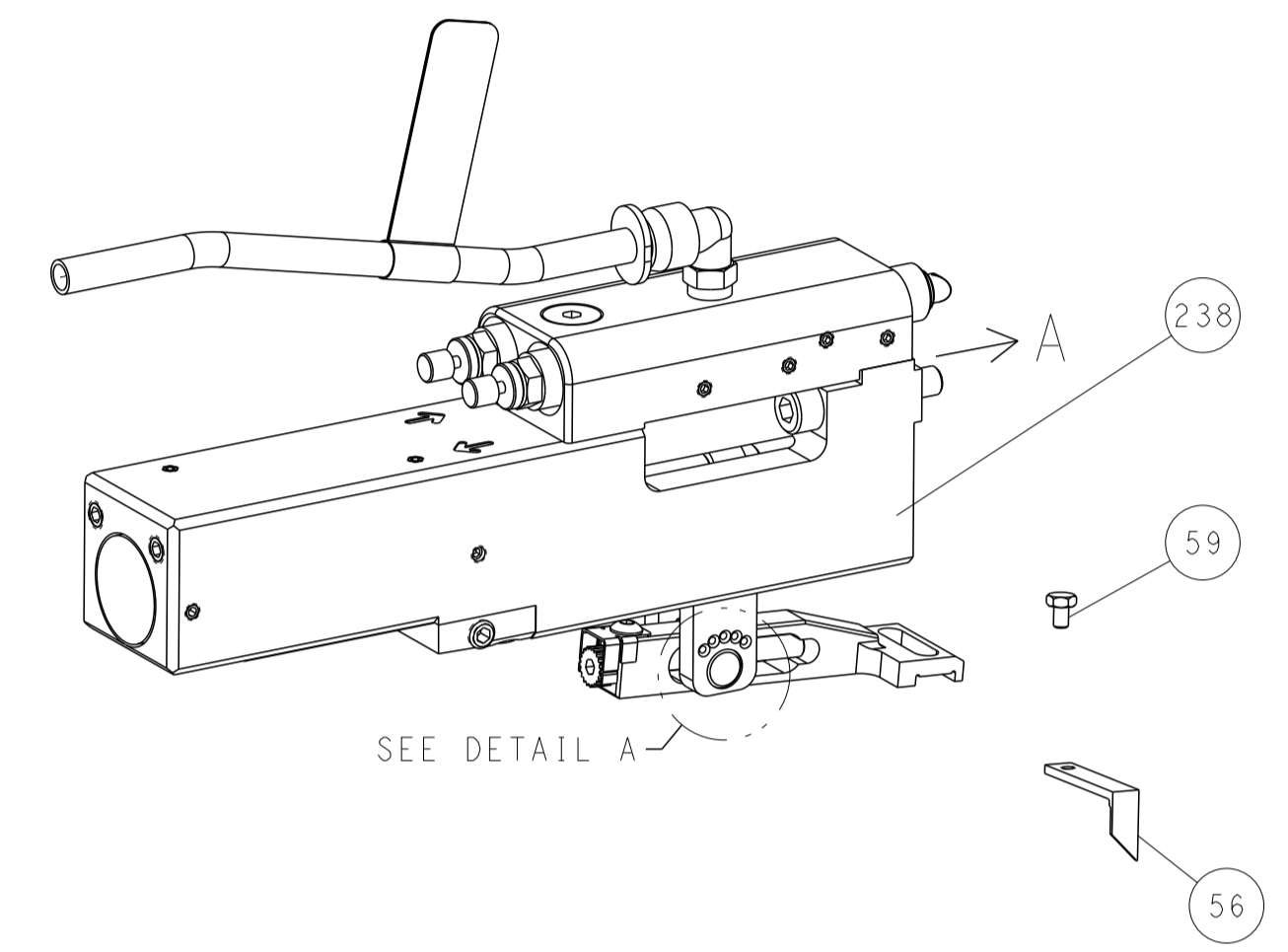
-	1	2119641-1	FEED CAM, AIR FEED	248
-	1	2119082-6	CAM, SNAIL, INSULATION ADJUSTMENT	244
-	1	2079764-1	WASHER, WAVE SPRING, CREST-TO-CREST	243
△	1	2119083-1	RETAINER, INSULATION DIAL	242
-	1	7-18023-7	SCR, SKT HD CAP M3 X 4.0	241
-	1	2844940-2	AIR FEED MODULE	238
-	REF	994970-2	COUNTER, MAGNETIC	164
△	1	2119955-1	ASSY, LUBRICATOR, SIDE FEED	113
-	1	2844908-1	SCREW, LOCKING	99
-	1	2844907-1	POST, LOCKING	98
-	1	318563-1	GUARD, FRONT CHIP	89
-	1	1-455888-8	SPACER, CRIMPER -	82
△	2	2079383-4	SCR, BHSC, RoHS (M4 X 8)	79
-	1	1803096-1	EXTENSION PLATE	78
-	1	1803607-3	DOCUMENTATION PACKAGE	71
-	1	1-2119791-6	DEPRESSOR, WIRE	70
-	1	2119740-1	TAG, IDENTIFICATION	67
-	2	2168078-1	SCREW, DRIVE, RH, RoHS, 2 x .188	66
-	1	2168083-2	SCR, SKT HD CAP, RoHS, M4 X 8.0	60
-	1	5-18022-5	SCR, HEX HD CAP, M4 X 6.0	59
-	1	1-1338683-1	FEED PAWL	56
-	4	2168083-3	SCR, SKT HD CAP, RoHS, M4 X 12.0	54
-	2	2-2168083-5	SCR, SKT HD CAP, RoHS, M4 X 14	53
-	1	5018030-1	NUT, HEX, REG, RoHS, M3	52
-	1	1-811242-0	BUMPER, HOLD DOWN	51
-	1	690753-2	SPACER, TONKER	50
-	1	18023-9	SCR, SKT HD CAP M4 X 6.0	49
-	1	1803583-9	APPLICATOR BASIC ASSEMBLY, SF	46
-	1	1803515-2	RAM ASSEMBLY, SF ATLANTIC	44
-	1	1803602-2	SCR, BHSC, RoHS (M8 X 40)	41
-	1	5-1752356-0	SUPPORT, TERMINAL	34
-	2	2079383-5	SCR, BHSC, RoHS (M4 X 20)	33
-	2	3-2844962-2	SPACER, CYLINDRICAL, STRIP GUIDE	30
-	1	2844992-1	ASSEMBLY, STRIP GUIDE -	29
-	1	1-455888-0	SPACER, CRIMPER -	28
-	1	2-1320928-3	STRIP GUIDE	24
-	1	2168083-2	SCR, SKT HD CAP, RoHS, M4 X 8.0	21
-	2	1-18028-2	WASHER, FLAT, REG M4	20
-	1	1803013-1	STRIPPER, SIDE FEED	19
△	1	2119806-1	INSERT, SHEAR	13
-	1	4-22280-7	SPRING, COMPRESSION	12
-	1	1-356885-3	STOP, SHEAR	11
△	1	2119805-1	SHEAR HOLDER, FRONT -	10
△	1	454276-5	FLOATING SHEAR, FRONT	9
△	1	2-1633930-6	ANVIL, COMBINATION	8
-	1	3-240641-0	SPACER	7
-	-	-	-	6
-	1	1-2119757-2	DEPRESSOR, SHEAR	5
-	1	5-238011-9	BLOCK, CRIMPER SPACER	4
△	1	4-1633996-2	CRIMPER, INSULATION SPECIAL	3
-	-	-	-	2
△	1	1803610-3	CRIMPER, WIRE	1
-	-	-	-	0

DIMENSIONS: mm 		TOLERANCES UNLESS OTHERWISE SPECIFIED: 0 PLC ± 1 PLC ± 2 PLC ± 3 PLC ± 4 PLC ± ANGLES ± FINISH		MATERIAL: -	
DWN R.O. WILSON 08AUG2014 CHK K.J. STAKEM 12AUG2014 APVD T.L. ELBIN 13AUG2014		NAME: Ocean Side Feed Applicator		SIZE: A1 CAGE CODE: 00779 DRAWING NO: 2266456 RESTRICTED TO: -	
THIS IS THE ONLY COPY OF THIS DRAWING TO BE RELEASED FOR PUBLICATION. ALL OTHER COPIES ARE UNCONTROLLED. CONTACT THE ISSUING ORGANIZATION FOR THE LATEST REVISION.		SCALE: 1:2 SHEET 1 OF 4 REV: F3		Customer Accessible Production Drawing	

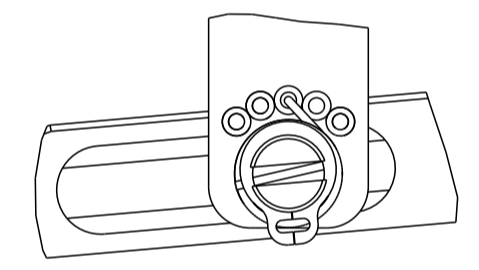
LOC	DIST	REVISIONS					
		P	LTN	DESCRIPTION	DATE	OWN	APVD
A	66	-	-	SEE SHEET 1	-	-	-

FEED TYPE

PNEUMATIC

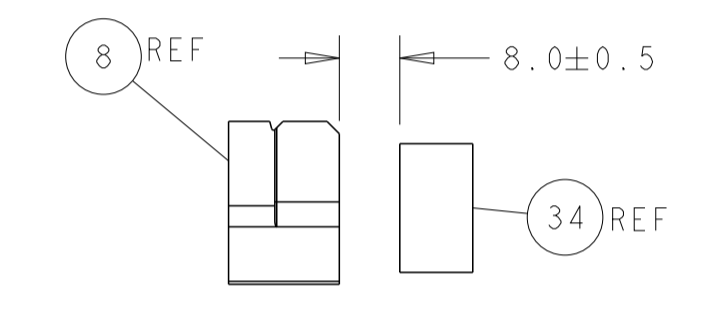
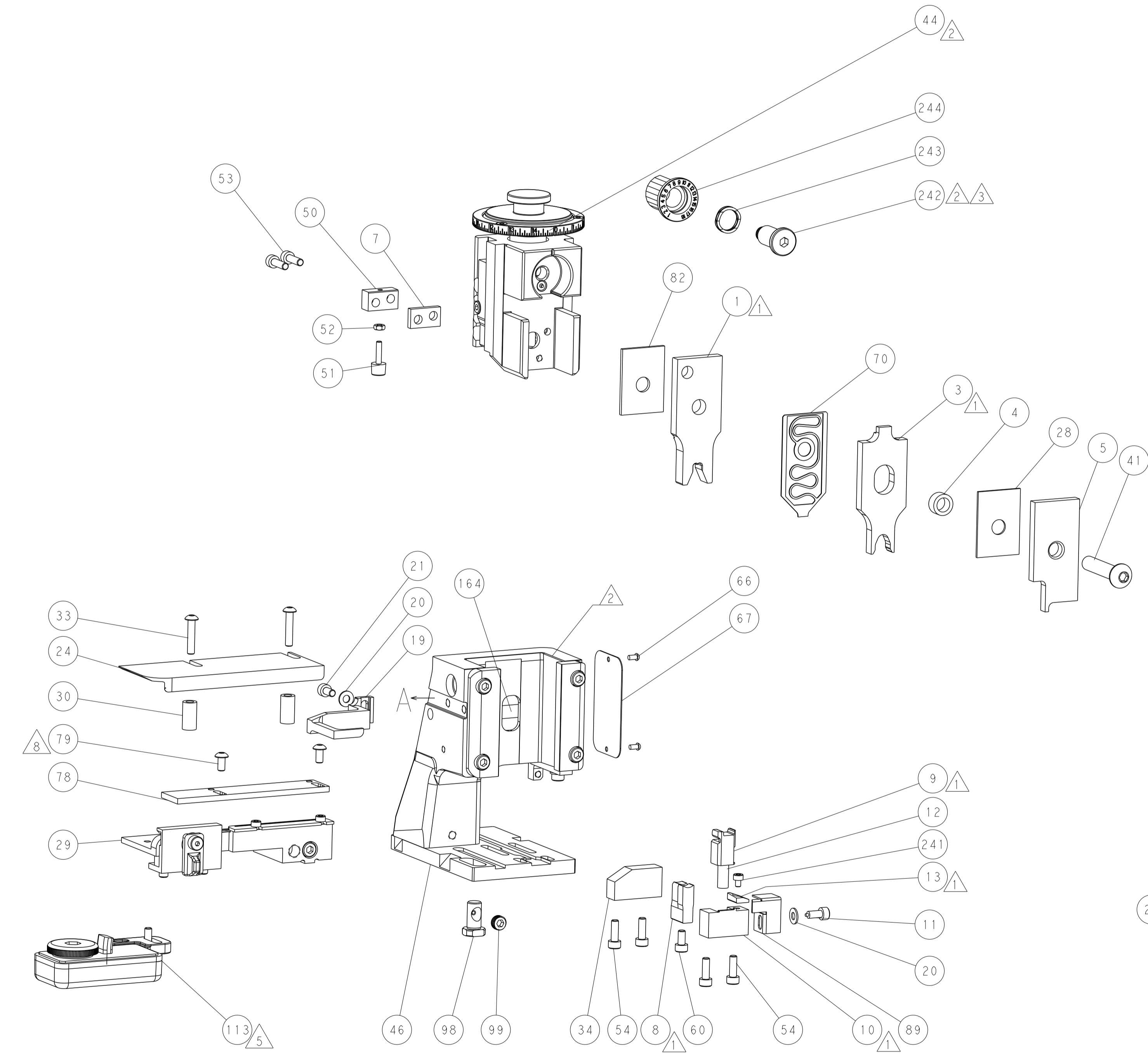
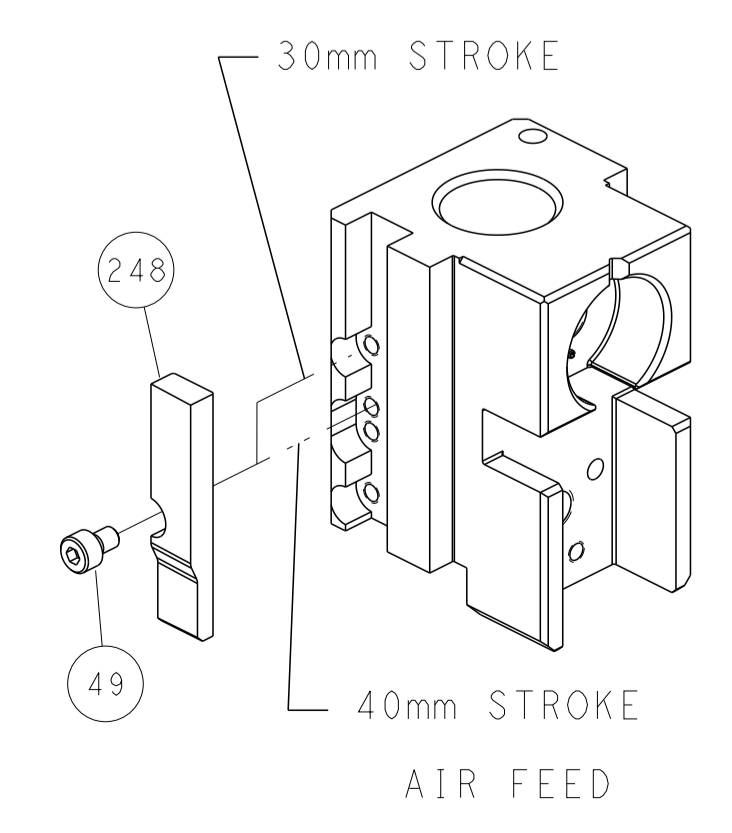


FEED SPRING SETTING POSITION (SHOWN FROM REAR SIDE)

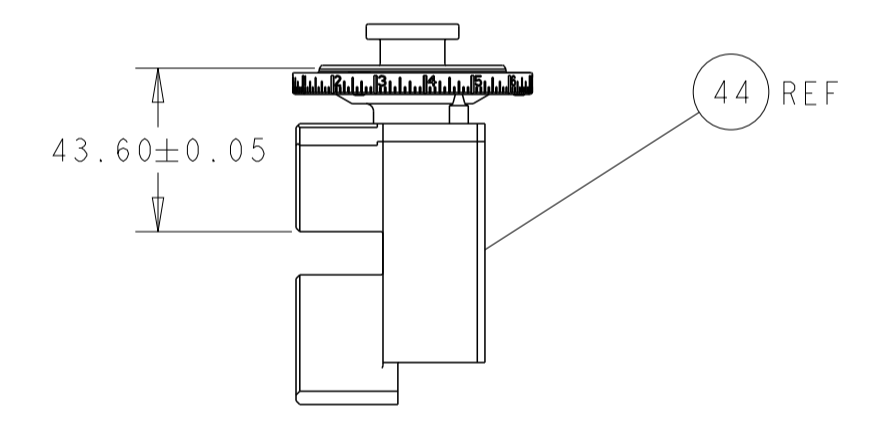


DETAIL A

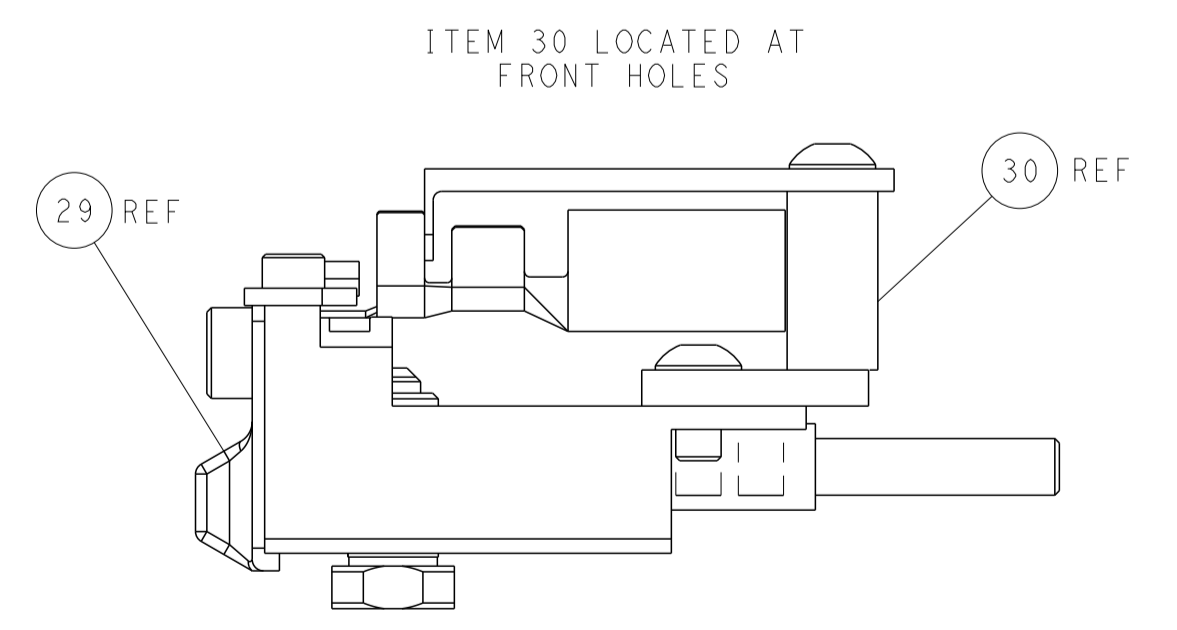
CAM POSITION



TERMINAL SUPPORT LOCATION



RAM SET-UP



FEED TRACK POSITION GUIDE BY INSULATION BARREL

<small>THIS DRAWING IS UNPUBLISHED. RELEASED FOR PUBLICATION BY TYCO ELECTRONICS CORPORATION. ALL RIGHTS RESERVED.</small>		DWN R.O. WILSON 08AUG2014 CHK K.J. STAKEM 12AUG2014 APVD T.L. ELBIN 13AUG2014	NAME Ocean Side Feed Applicator PRODUCT SPEC APPLICATION SPEC SIZE CAGE CODE DRAWING NO A1 00779 C=2266456	RESTRICTED TO Customer Accessible Production Drawing
DIMENSIONS: mm TOLERANCES UNLESS OTHERWISE SPECIFIED: 0 PLC ± 1 PLC ± 2 PLC ± 3 PLC ± 4 PLC ± ANGLES ± FINISH	DIMENSIONS: mm TOLERANCES UNLESS OTHERWISE SPECIFIED: 0 PLC ± 1 PLC ± 2 PLC ± 3 PLC ± 4 PLC ± ANGLES ± FINISH	SCALE 1:2 SHEET 2 OF 4 REV F3	TE Connectivity Harrisburg, PA 17105-3608	SHEETS 3 & 4 ARE NOT REQUIRED FOR ATLANTIC VERSION