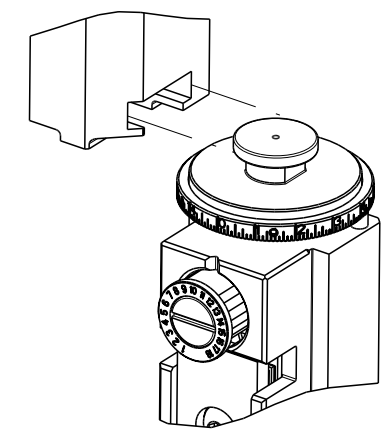


| PART NUMBER | REVISION | DESCRIPTION                      | FEED TYPE  |
|-------------|----------|----------------------------------|------------|
| 2266432-1   | B        | FINE CRIMP HEIGHT ADJUST         | MECHANICAL |
| 2266432-2   | B        | FINE CRIMP HEIGHT ADJUST         | PNEUMATIC  |
| 7-2266432-1 | B        | MECHANICAL AND CRIMP TOOLING KIT | MECHANICAL |
| 7-2266432-2 | B        | PNEUMATIC AND CRIMP TOOLING KIT  | PNEUMATIC  |
| 7-2266432-7 | A        | CRIMP TOOLING KIT                | -          |

ATLANTIC VERSION TERMINATOR INTERFACE ADAPTER



| APPLICATOR DATA |                |      |
|-----------------|----------------|------|
| CRIMP           | SIZE           | TYPE |
| WIRE            | 2.16 mm [.085] | F    |
| INSUL           | 3.40 mm [.134] | O    |

APPLICATOR INSTRUCTIONS  
408-35042

| TERMINAL DATA: DELPHI TERMINAL DELPHI CRIMP SPECIFICATION |  |
|---|--|
| TERMINAL NAME: TERMINAL, CONTACT 1.5 SEALED               |  |
| WIRE STRIP LENGTH<br>3.80-4.56 mm [.150-.180 IN]          | INSULATION DIAMETER RANGE<br>Ø -       |
| TERMINAL APPLICATION SPECIFICATION<br>15457991 PG 1 OF 1  | DELPHI CRIMPING INFORMATION SHEET<br>- |

| TE TERMINAL | DELPHI TERMINAL | TE SEAL   | DELPHI SEAL | CABLE DIAMETER |
|-------------|-----------------|-----------|-------------|----------------|
| 2113543-1   | 15457991        | 1949130-3 | 15339412    | 1.90-2.40mm    |
| 2113543-2   | 15458189        | 1949130-7 | 10720807    | 2.20-2.40mm    |
| 2113543-3   | 13549585        |           |             |                |
| 2113543-4   | 15346004        |           |             |                |
| 2113543-5   | 15346008        |           |             |                |
| 2113543-6   | 13547295        |           |             |                |

| WIRE SIZE | CRIMP HEIGHT mm [INCH]      | CRIMP HEIGHT REFERENCE SETTING |
|-----------|-----------------------------|--------------------------------|
| 1.50mm2   | 1.60+/-0.05 [1.063+/-0.002] | 5.0                            |

- RECOMMENDED SPARE PARTS
- REFER TO SUPPLIED INSTRUCTION SHEET FOR CLEANING, LUBRICATION AND STORAGE OF APPLICATOR.
- APPLY PART NUMBER 2-23419-6 LOCTITE TO THREADS OF ITEM 242.
- CRIMP HEIGHT REFERENCE SETTING WAS THE SETTING USED WHEN THE APPLICATOR WAS QUALIFIED AT THE FACTORY. ADJUSTMENT MAY BE NECESSARY WHEN RUNNING APPLICATOR IN THE FIELD.
- APPLY TORQ-SEAL IN ALLEN SOCKET TO FILL HOLE AFTER FLAT HD HAS BEEN ADJUSTED TO CORRECT HEIGHT AT QUALIFICATION. APPLY #1-23419-5 LOC-TITE TO THREADS.
- UNLESS SPECIFIED OTHERWISE TORQUE VALUES SHALL BE USED PER DOCUMENT, 101-35000.

**\*WARNING**  
ON INSTALLATION, SET WIRE DISC TO CRIMP HEIGHT REFERENCE SETTING FOR LARGEST WIRE SIZE. CRIMP HEIGHT REFERENCE SETTINGS GREATER THAN THE VALUE SHOWN MAY CAUSE DAMAGE TO THE CRIMP TOOLING, REFER TO THE INSTRUCTION SHEET FOR PROPER SETUP AND ADJUSTMENTS.

| LOC | DIST | REVISIONS |     |               |           |     |      |
|-----|------|-----------|-----|---------------|-----------|-----|------|
|     |      | #         | LY# | DESCRIPTION   | DATE      | OWN | APVD |
| A   | 66   | 1         |     | DEVELOPMENT   | 05AUG2014 | YY  | UG   |
|     |      | A         |     | RELEASED      | 15SEP2014 | YY  | UG   |
|     |      | B         |     | ECR-20-005230 | 09APR2020 | JAH | RK   |

|   |     |     |     |     |             |                                     |         |
|---|-----|-----|-----|-----|-------------|-------------------------------------|---------|
| - | 1   | -   | 1   | -   | 2119641-1   | FEED CAM, AIR FEED                  | 248     |
| - | 1   | 1   | 1   | 1   | 2119082-4   | CAM, SNAIL, INSULATION ADJUSTMENT   | 244     |
| - | 1   | 1   | 1   | 1   | 2079764-1   | WASHER, WAVE SPRING, CREST-TO-CREST | 243     |
| - | 1   | 1   | 1   | 1   | 2119083-1   | RETAINER, INSULATION DIAL           | 242     |
| - | 1   | 1   | 1   | 1   | 7-18023-7   | SCR, SKT HD CAP M3 X 4.0            | 241     |
| - | -   | 1   | -   | 1   | 2119580-1   | MECHANICAL FEED ASSEMBLY            | 239     |
| - | 1   | -   | 1   | -   | 2844940-1   | AIR FEED MODULE                     | 238     |
| - | REF | REF | REF | REF | 994970-2    | COUNTER, MAGNETIC                   | 164     |
| - | 1   | 1   | 1   | 1   | 2844908-1   | SCREW, LOCKING                      | 99      |
| - | 1   | 1   | 1   | 1   | 2844907-1   | POST, LOCKING                       | 98      |
| - | 1   | 1   | 1   | 1   | 455888-5    | SPACER, CRIMPER                     | 82      |
| - | 1   | 1   | 1   | 1   | 1803607-1   | DOCUMENTATION PACKAGE               | 71      |
| - | 1   | 1   | 1   | 1   | 2119791-9   | DEPRESSOR, WIRE                     | 70      |
| - | 1   | 1   | 1   | 1   | 2119943-1   | WASHER, SPACER                      | 69      |
| - | 1   | 1   | 1   | 1   | 2119740-1   | TAG, IDENTIFICATION                 | 67      |
| - | 2   | 2   | 2   | 2   | 2168078-1   | SCREW, DRIVE, RH, RoHS, 2 x .188    | 66      |
| - | 1   | 1   | 1   | 1   | 2168083-2   | SCR, SKT HD CAP, RoHS, M4 X 8.0     | 60      |
| - | 1   | 1   | 1   | 1   | 5-18022-5   | SCR, HEX HD CAP, M4 X 6.0           | 59      |
| - | 1   | 1   | 1   | 1   | 985575-3    | SCR, FLT SKT HD CAP M3 X 10.0       | 57      |
| - | 1   | 1   | 1   | 1   | 1338685-1   | PAWL, FEED                          | 56      |
| - | 4   | 4   | 4   | 4   | 2168083-3   | SCR, SKT HD CAP, RoHS, M4 X 12.0    | 54      |
| - | 2   | 2   | 2   | 2   | 1-2168083-0 | SCR, SKT HD CAP, RoHS, M4 X 10      | 53      |
| - | 1   | 1   | 1   | 1   | 5018030-1   | NUT, HEX, REG, RoHS, M3             | 52      |
| - | 1   | 1   | 1   | 1   | 811242-5    | BUMPER, HOLD DOWN                   | 51      |
| - | 1   | 1   | 1   | 1   | 690753-2    | SPACER, TONKER                      | 50      |
| - | 1   | 2   | 1   | 2   | 18023-9     | SCR, SKT HD CAP M4 X 6.0            | 49      |
| - | -   | 1   | -   | 1   | 2119652-1   | FEED CAM, PRE FEED                  | 48      |
| - | -   | 1   | -   | 1   | 2119653-1   | FEED CAM, POST FEED                 | 47      |
| - | 1   | 1   | 1   | 1   | 1803583-9   | APPLICATOR BASIC ASSEMBLY, SF       | 46      |
| - | 1   | 1   | 1   | 1   | 1803515-1   | RAM ASSEMBLY, SF ATLANTIC           | 44      |
| - | 1   | 1   | 1   | 1   | 1803602-1   | SCR, BHSC, RoHS (M8 X 25)           | 41      |
| - | 1   | 1   | 1   | 1   | 3-1752356-3 | SUPPORT, TERMINAL                   | 34      |
| - | 2   | 2   | 2   | 2   | 2079383-5   | SCR, BHSC, RoHS (M4 X 20)           | 33      |
| - | 2   | 2   | 2   | 2   | 3-2844962-0 | SPACER, CYLINDRICAL, STRIP GUIDE    | 30      |
| - | 1   | 1   | 1   | 1   | 2844992-1   | ASSEMBLY, STRIP GUIDE               | 29      |
| - | 1   | 1   | 1   | 1   | 455888-3    | SPACER, CRIMPER                     | 28      |
| - | 1   | 1   | 1   | 1   | 1320928-2   | STRIP GUIDE                         | 24      |
| - | 1   | 1   | 1   | 1   | 2168083-2   | SCR, SKT HD CAP, RoHS, M4 X 8.0     | 21      |
| - | 2   | 2   | 2   | 2   | 1-18028-2   | WASHER, FLAT, REG M4                | 20      |
| - | 1   | 1   | 1   | 1   | 2119533-1   | STRIPPER, SIDE FEED                 | 19      |
| - | 1   | 1   | 1   | 1   | 2119806-1   | INSERT, SHEAR                       | 13      |
| - | 1   | 1   | 1   | 1   | 3-22280-3   | SPRING, COMPRESSION                 | 12      |
| - | 1   | 1   | 1   | 1   | 1-356885-3  | STOP, SHEAR                         | 11      |
| - | 1   | 1   | 1   | 1   | 2119805-1   | SHEAR HOLDER, FRONT                 | 10      |
| - | 1   | 1   | 1   | 1   | 318707-1    | FLOATING SHEAR, FRONT               | 9       |
| - | 1   | 2   | 2   | 1   | 1803171-3   | ANVIL, COMBINATION                  | 8       |
| - | -   | -   | -   | -   | -           | -                                   | 7       |
| - | -   | -   | -   | -   | -           | -                                   | 6       |
| - | 1   | 1   | 1   | 1   | 2119781-6   | DEPRESSOR, SHEAR                    | 5       |
| - | 1   | 1   | 1   | 1   | 1-238011-7  | BLOCK, CRIMPER SPACER               | 4       |
| - | 1   | 2   | 2   | 1   | 3-1803019-8 | CRIMPER, INSULATION O               | 3       |
| - | 1   | 1   | 1   | 1   | 455888-8    | SPACER, CRIMPER                     | 2       |
| - | 1   | 2   | 2   | 1   | 4-1490019-7 | CRIMPER, WIRE PREMIUM               | 1       |
| - | 77  | 72  | 71  | -2  | -1          | PART NO                             | ITEM NO |

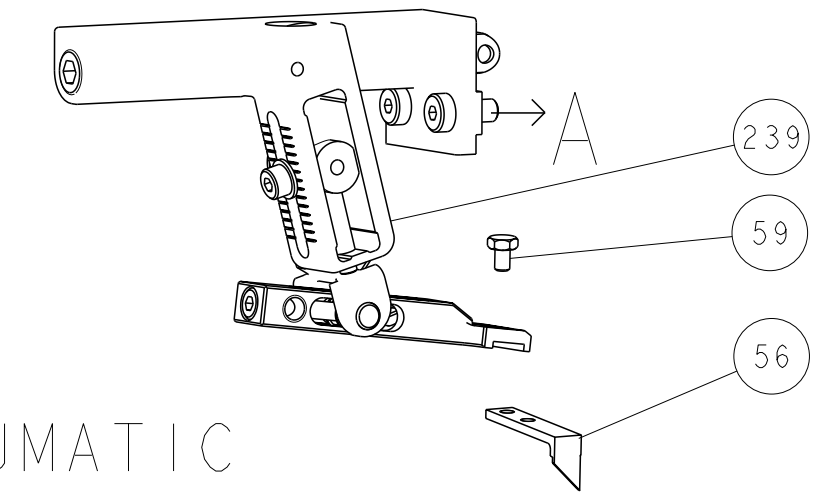
ATLANTIC VERSION  
Shown on sheets 1 of 4 & 2 of 4  
(Pacific version shown on sheets 3 of 4 & 4 of 4)

| DIMENSIONS: |         | TOLERANCES UNLESS OTHERWISE SPECIFIED: |         | MATERIAL: |         |
|-------------|---------|--|---------|-----------|---------|
| mm          | 0 PLC ± | 1 PLC ±                                | 2 PLC ± | 3 PLC ±   | 4 PLC ± |
|             | ANGLES  | FINISH                                 |         |           |         |

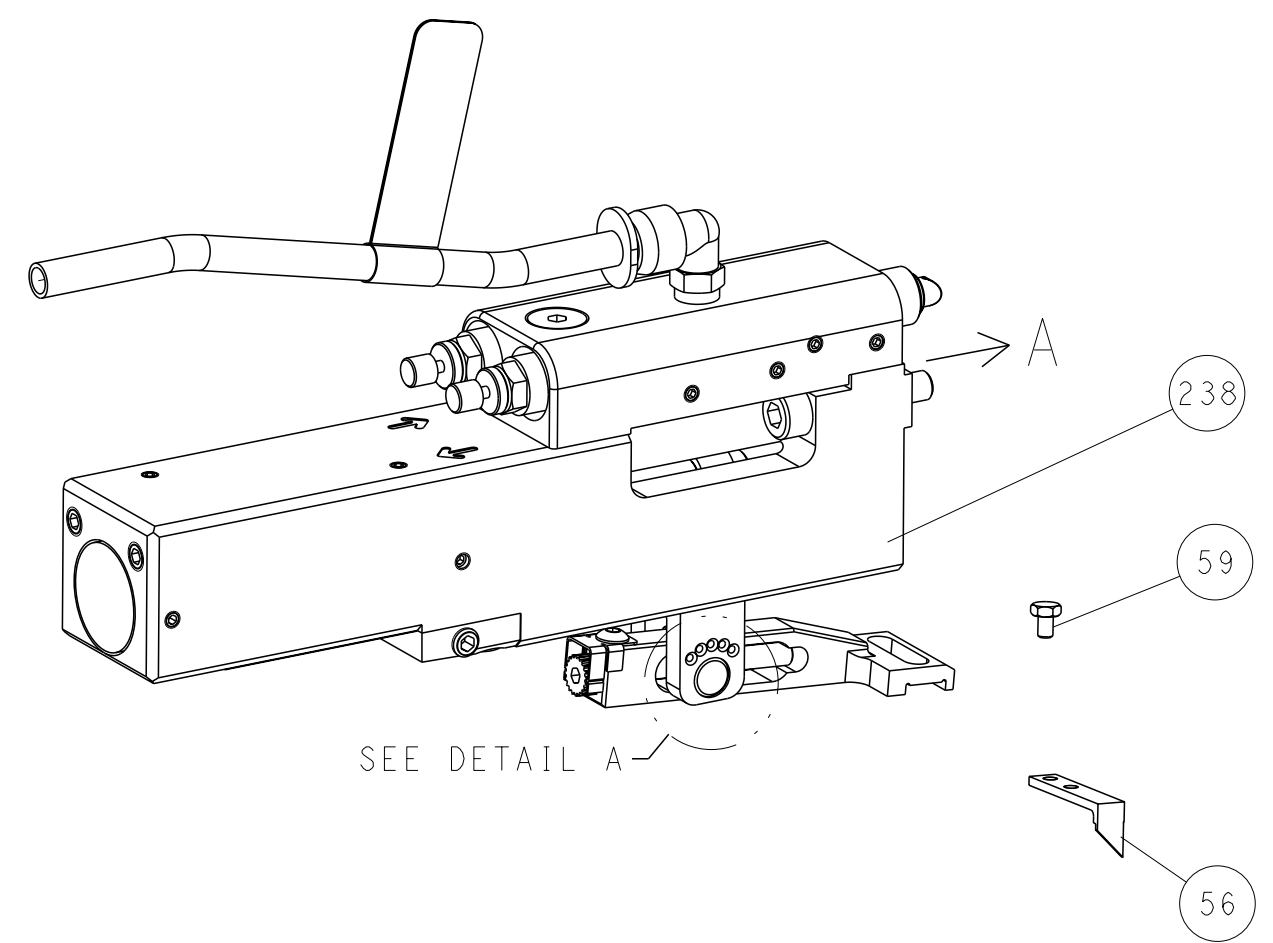
|  |                            |            |               |
|--|----------------------------|------------|---------------|
| OWN                                    | Y. YIN                     | 05AUG2014  |               |
| CHK                                    | G. BAILEY                  | 05AUG2014  |               |
| APVD                                   | U. GUO                     | 05AUG2014  |               |
| NAME                                   | Ocean Side Feed Applicator |            |               |
| SIZE                                   | CAGE CODE                  | DRAWING NO | RESTRICTED TO |
| A1                                     | 00779                      | 2266432    |               |
| Customer Accessible Production Drawing |                            | SCALE      | 1:2           |
| SHEET                                  |                            | 1          | OF 4          |
| REV                                    |                            | B          |               |

| LOC | DIST | REVISIONS   |      |     |      |
|-----|------|-------------|------|-----|------|
| A   | 66   | REV         | DATE | OWN | APVD |
| -   | -    | SEE SHEET 1 | -    | -   | -    |

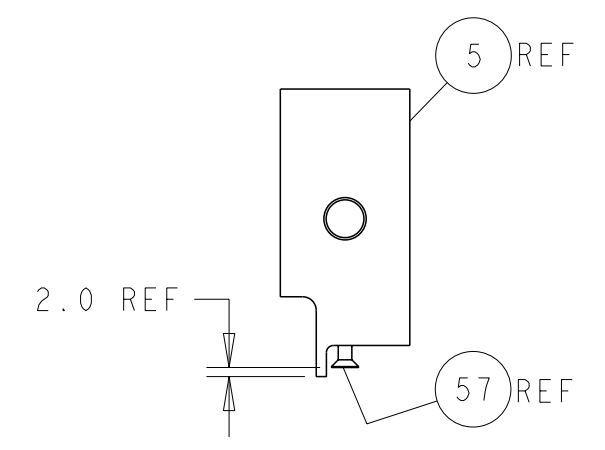
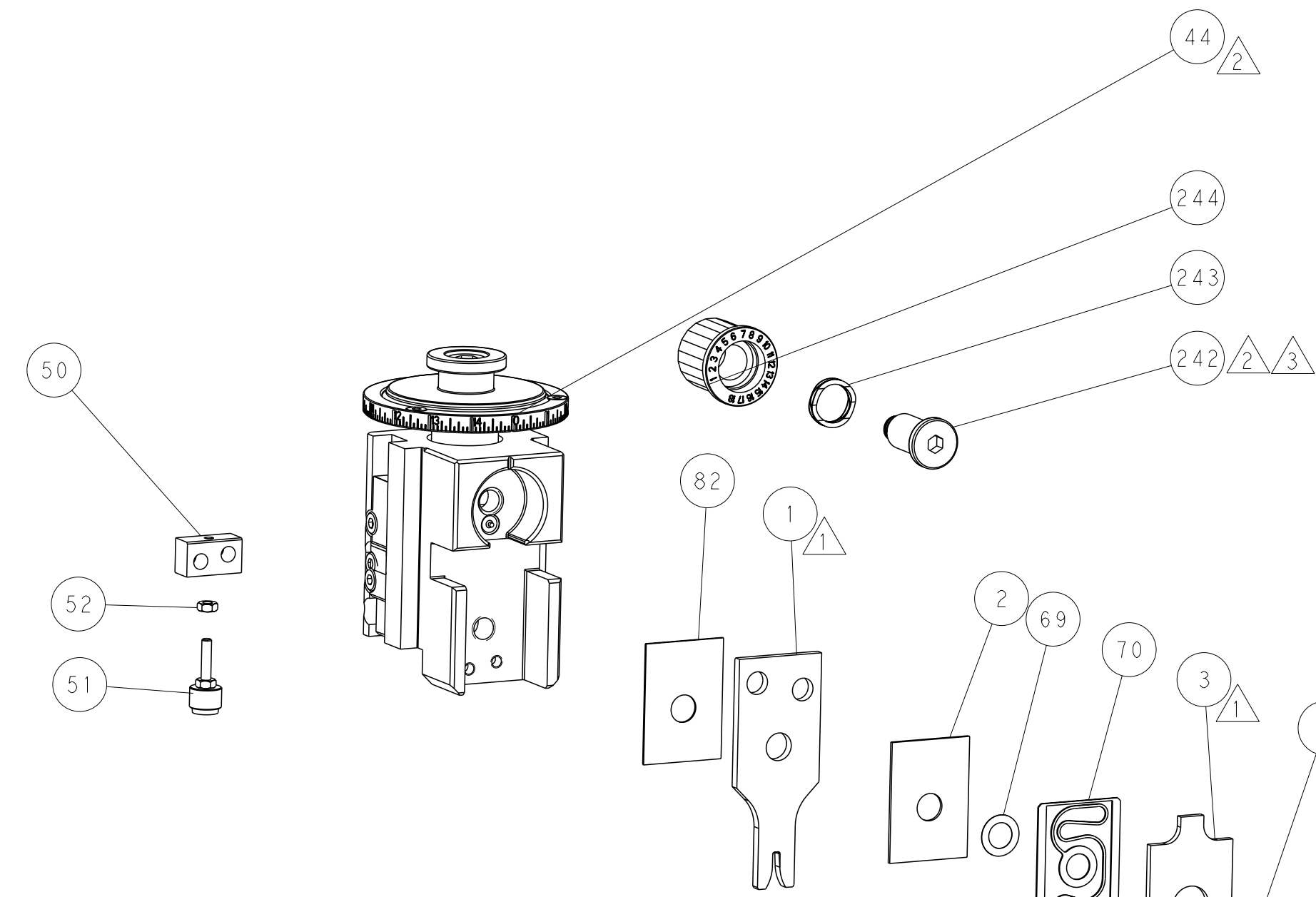
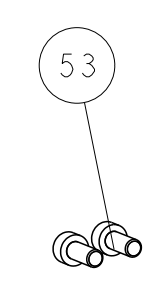
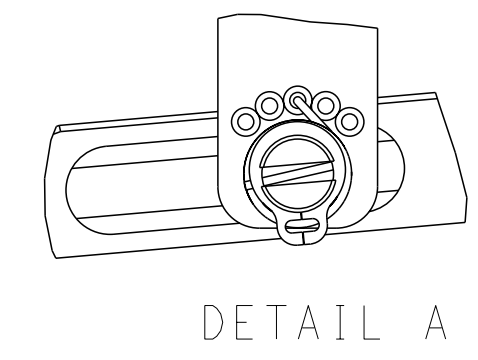
# FEED TYPE MECHANICAL



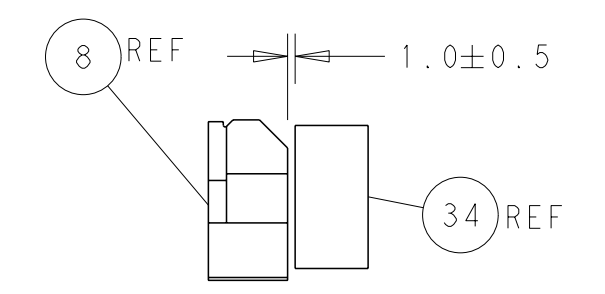
## PNEUMATIC



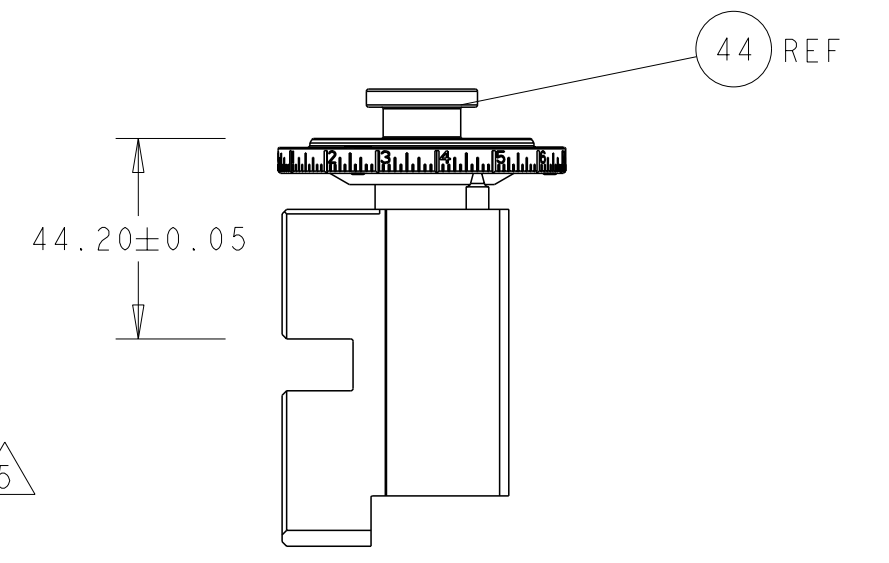
## FEED SPRING SETTING POSITION (SHOWN FROM REAR SIDE)



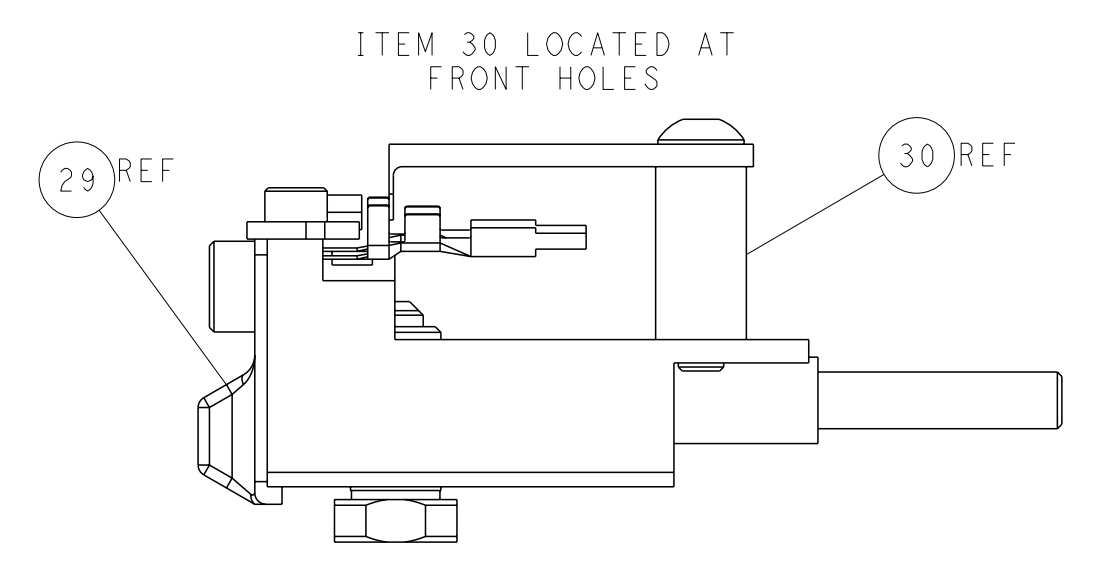
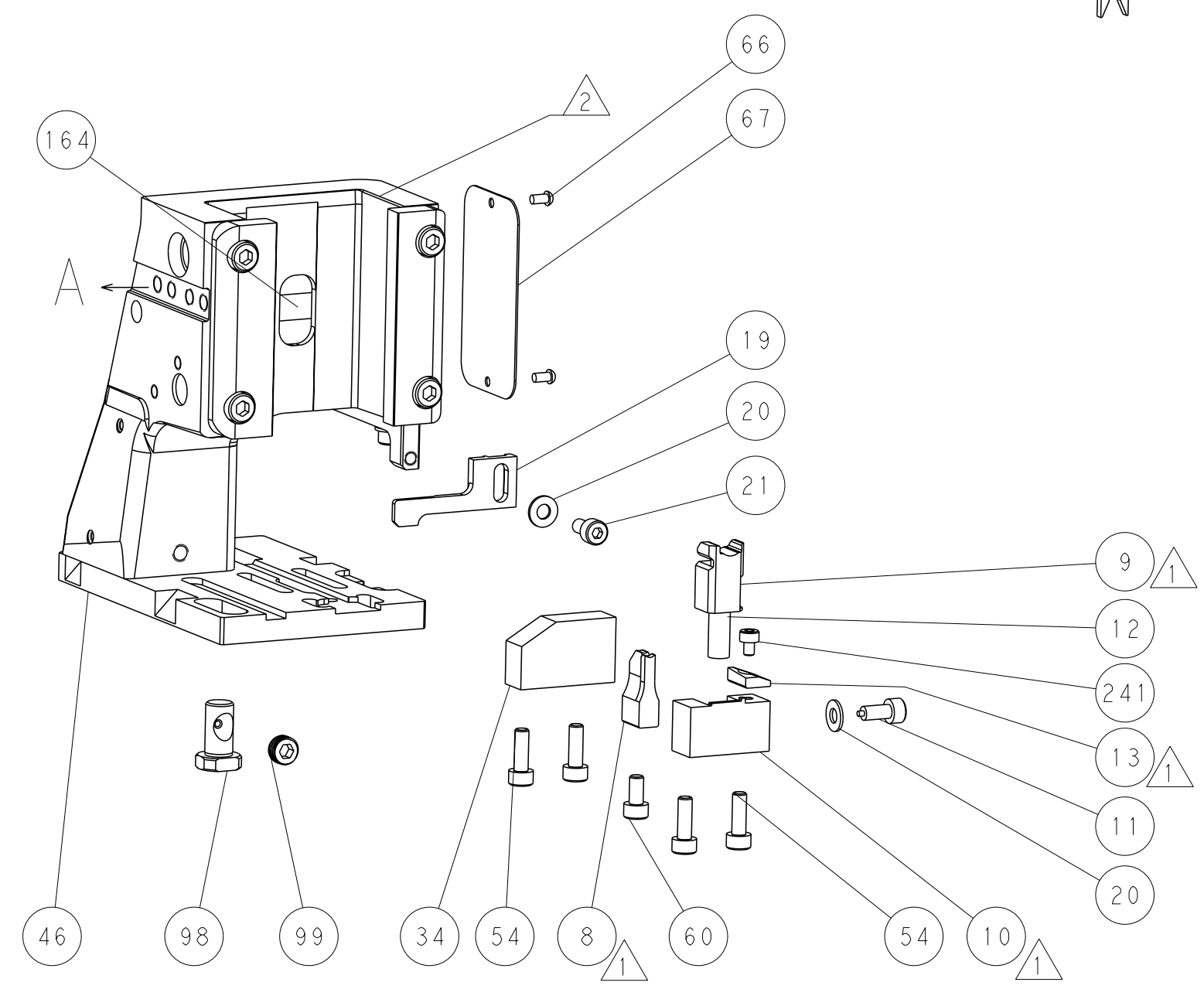
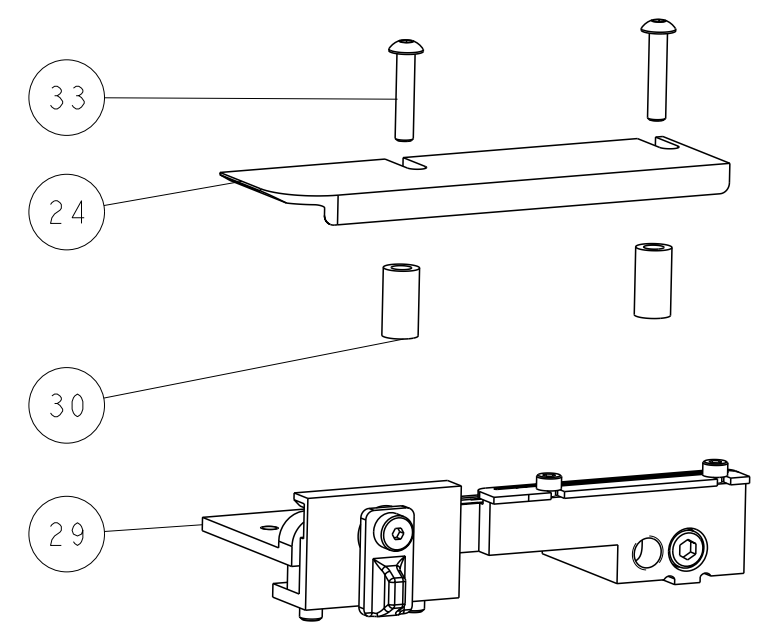
SHEAR DEPRESSOR DETAIL



TERMINAL SUPPORT LOCATION

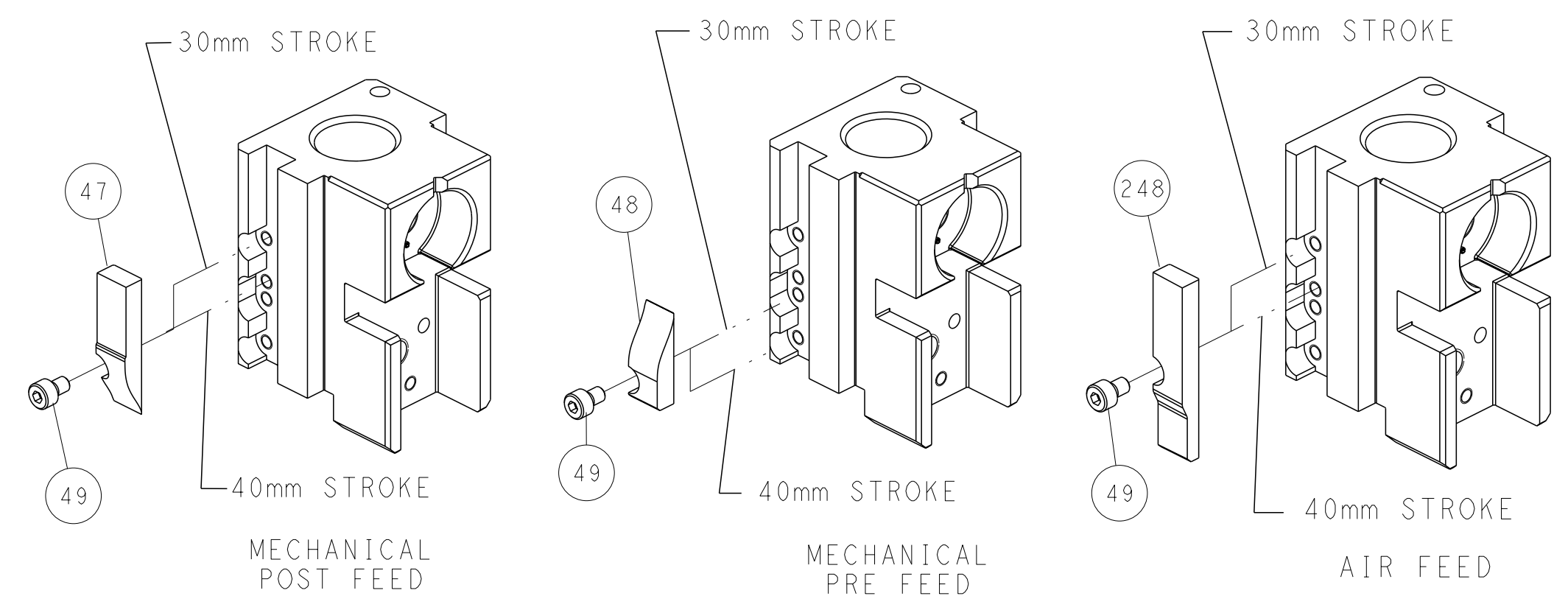


RAM SET-UP



FEED TRACK POSITION GUIDE BY INSULATION BARREL

# CAM POSITIONS

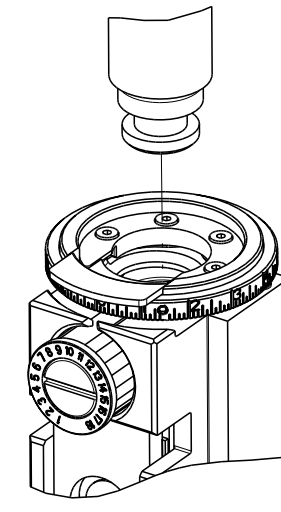


**ATLANTIC VERSION**  
 Shown on sheets 1 of 4 & 2 of 4  
 (Pacific version shown on sheets 3 of 4 & 4 of 4)

|  |  |   |   |
|--|--|---|---|
| <small>THIS DRAWING IS UNPUBLISHED. RELEASED FOR PUBLICATION BY TYCO ELECTRONICS CORPORATION. ALL RIGHTS RESERVED.</small>         |  | OWN: Y. YIN 05AUG2014<br>CHK: G. BAILEY 05AUG2014<br>APVD: J. GUO 05AUG2014             | TE Connectivity<br>Harrisburg, PA 17105-3608              |
| DIMENSIONS: mm<br>TOLERANCES UNLESS OTHERWISE SPECIFIED:<br>0 PLC ±<br>1 PLC ±<br>2 PLC ±<br>3 PLC ±<br>4 PLC ±<br>ANGLES FINISH ± |  | NAME: Ocean Side Feed Applicator<br>SIZE: A1<br>CAGE CODE: 00779<br>DRAWING NO: 2266432 | RESTRICTED TO: -<br>SCALE: 1:2<br>SHEET: 2 of 4<br>REV: B |
| MATERIAL: -<br>FINISH: -   |  | WEIGHT: -<br>Customer Accessible Production Drawing                                     | SHEETS 3 & 4 ARE NOT REQUIRED FOR ATLANTIC VERSION        |

| THIS DRAWING IS UNPUBLISHED.                                       | RELEASED FOR PUBLICATION | 20                       |            |
|--|--------------------------|--------------------------|------------|
| COPYRIGHT 20 BY TYCO ELECTRONICS CORPORATION. ALL RIGHTS RESERVED. |                          |                          |            |
| PART NUMBER  | REVISION                 | DESCRIPTION              | FEED TYPE  |
| 2-2266432-1  | B                        | FINE CRIMP HEIGHT ADJUST | MECHANICAL |
| 2-2266432-2  | B                        | FINE CRIMP HEIGHT ADJUST | PNEUMATIC  |
| 7-2266432-7  | A                        | CRIMP TOOLING KIT        | -          |

PACIFIC VERSION TERMINATOR  
INTERFACE ADAPTER



| APPLICATOR DATA                      |                |      |
|--------------------------------------|----------------|------|
| CRIMP                                | SIZE           | TYPE |
| WIRE                                 | 2.16 mm [.085] | F    |
| INSUL                                | 3.40 mm [.134] | O    |
| APPLICATOR INSTRUCTIONS<br>408-35042 |                |      |

TERMINAL DATA: DELPHI TERMINAL DELPHI CRIMP SPECIFICATION

TERMINAL NAME: TERMINAL, CONTACT 1.5 SEALED

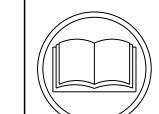
| WIRE STRIP LENGTH           | INSULATION DIAMETER RANGE |
|-----------------------------|---------------------------|
| 3.80-4.56 mm [.150-.180 IN] | Ø                         |

TERMINAL APPLICATION SPECIFICATION DELPHI CRIMPING INFORMATION SHEET  
15457991 PG 1 OF 1

TERMINALS APPLIED

| TE TERMINAL | DELPHI TERMINAL | TE SEAL   | DELPHI SEAL | CABLE DIAMETER |
|-------------|-----------------|-----------|-------------|----------------|
| 2113543-1   | 15457991        | 1949130-3 | 15339412    | 1.90-2.40mm    |
| 2113543-2   | 15458189        | 1949130-7 | 10720807    | 2.20-2.40mm    |
| 2113543-3   | 13549585        |           |             |                |
| 2113543-4   | 15346004        |           |             |                |
| 2113543-5   | 15346008        |           |             |                |
| 2113543-6   | 13547295        |           |             |                |

| WIRE SIZE | CRIMP HEIGHT mm [INCH]     | CRIMP HEIGHT REFERENCE SETTING |
|-----------|----------------------------|--------------------------------|
| 1.50mm2   | 1.60+/-0.05 [.063+/-0.002] | 5.0                            |



- RECOMMENDED SPARE PARTS
- REFER TO SUPPLIED INSTRUCTION SHEET FOR CLEANING, LUBRICATION AND STORAGE OF APPLICATOR.
- APPLY PART NUMBER 2-23419-6 LOCTITE TO THREADS OF ITEM 242.
- CRIMP HEIGHT REFERENCE SETTING WAS THE SETTING USED WHEN THE APPLICATOR WAS QUALIFIED AT THE FACTORY. ADJUSTMENT MAY BE NECESSARY WHEN RUNNING APPLICATOR IN THE FIELD.
- APPLY TORO-SEAL IN ALLEN SOCKET TO FILL HOLE AFTER FLAT HD HAS BEEN ADJUSTED TO CORRECT HEIGHT AT QUALIFICATION. APPLY #1-23419-5 LOC-TITE TO THREADS.
- UNLESS SPECIFIED OTHERWISE TORQUE VALUES SHALL BE USED PER DOCUMENT, 101-35000.

**\*WARNING**  
ON INSTALLATION, SET WIRE DISC TO CRIMP HEIGHT REFERENCE SETTING FOR LARGEST WIRE SIZE. CRIMP HEIGHT REFERENCE SETTINGS GREATER THAN THE VALUE SHOWN MAY CAUSE DAMAGE TO THE CRIMP TOOLING, REFER TO THE INSTRUCTION SHEET FOR PROPER SETUP AND ADJUSTMENTS.

| LOC | DIST | REVISIONS |      |    |      |
|-----|------|-----------|------|----|------|
| A   | 66   | REV       | DATE | BY | APPV |
|     |      | 1         |      |    |      |
|     |      | 2         |      |    |      |
|     |      | 3         |      |    |      |

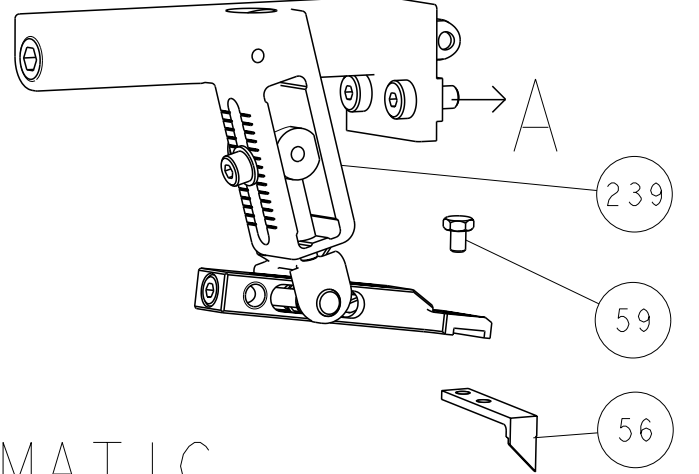
|   |     |     |             |                                     |     |
|---|-----|-----|-------------|-------------------------------------|-----|
| - | 1   | 1   | 2119082-4   | CAM, SNAIL, INSULATION ADJUSTMENT   | 244 |
| - | 1   | 1   | 2079764-1   | WASHER, WAVE SPRING, CREST-TO-CREST | 243 |
| 3 | -   | 1   | 2119083-1   | RETAINER, INSULATION DIAL           | 242 |
| - | 1   | 1   | 7-18023-7   | SCR, SKT HD CAP M3 X 4.0            | 241 |
| - | -   | 1   | 2119580-1   | MECHANICAL FEED ASSEMBLY            | 239 |
| - | 1   | -   | 2844940-1   | AIR FEED MODULE                     | 238 |
| - | REF | REF | 994970-2    | COUNTER, MAGNETIC                   | 164 |
| - | 1   | -   | 2119641-2   | FEED CAM, AIR FEED                  | 151 |
| - | 1   | 1   | 2168083-8   | SCR, SKT HD CAP, RoHS, M4 X 16      | 144 |
| - | 4   | 4   | 2168083-9   | SCR, SKT HD CAP, RoHS, M4 X 20      | 143 |
| - | -   | 1   | 2119653-2   | FEED CAM, POST FEED                 | 142 |
| - | 1   | 1   | 1-1803583-0 | APPLICATOR BASIC ASSEMBLY, SF       | 141 |
| - | 1   | 1   | 1803516-1   | RAM ASSEMBLY, SF PACIFIC            | 140 |
| - | 1   | 1   | 2844908-1   | SCREW, LOCKING                      | 99  |
| - | 1   | 1   | 2844907-1   | POST, LOCKING                       | 98  |
| - | 1   | 1   | 455888-5    | SPACER, CRIMPER                     | 82  |
| - | 1   | 1   | 1803607-1   | DOCUMENTATION PACKAGE               | 71  |
| - | 1   | 1   | 2119791-9   | DEPRESSOR, WIRE                     | 70  |
| - | 1   | 1   | 2119943-1   | WASHER, SPACER                      | 69  |
| - | 1   | 1   | 2119740-1   | TAG, IDENTIFICATION                 | 67  |
| - | 2   | 2   | 2168078-1   | SCREW, DRIVE, RH, RoHS, 2 x .188    | 66  |
| - | 1   | 1   | 5-18022-5   | SCR, HEX HD CAP, M4 X 6.0           | 59  |
| 5 | -   | 1   | 985575-3    | SCR, FLT SKT HD CAP M3 X 10.0       | 57  |
| - | 1   | 1   | 1338685-1   | PAWL, FEED                          | 56  |
| - | 2   | 2   | 1-2168083-0 | SCR, SKT HD CAP, RoHS, M4 X 10      | 53  |
| - | 1   | 1   | 5018030-1   | NUT, HEX, REG, RoHS, M3             | 52  |
| - | 1   | 1   | 811242-5    | BUMPER, HOLD DOWN                   | 51  |
| - | 1   | 1   | 690753-2    | SPACER, TONKER                      | 50  |
| - | 1   | 2   | 18023-9     | SCR, SKT HD CAP M4 X 6.0            | 49  |
| - | -   | 1   | 2119652-1   | FEED CAM, PRE FEED                  | 48  |
| - | 1   | 1   | 1803602-1   | SCR, BHSC, RoHS (M8 X 25)           | 41  |
| - | 1   | 1   | 3-1752356-3 | SUPPORT, TERMINAL                   | 34  |
| - | 2   | 2   | 2079383-5   | SCR, BHSC, RoHS (M4 X 20)           | 33  |
| - | 2   | 2   | 3-2844962-0 | SPACER, CYLINDRICAL, STRIP GUIDE    | 30  |
| - | 1   | 1   | 2844992-1   | ASSEMBLY, STRIP GUIDE               | 29  |
| - | 1   | 1   | 455888-3    | SPACER, CRIMPER                     | 28  |
| - | 1   | 1   | 1320928-2   | STRIP GUIDE                         | 24  |
| - | 1   | 1   | 2168083-2   | SCR, SKT HD CAP, RoHS, M4 X 8.0     | 21  |
| - | 2   | 2   | 1-18028-2   | WASHER, FLAT, REG M4                | 20  |
| - | 1   | 1   | 2119533-1   | STRIPPER, SIDE FEED                 | 19  |
| 1 | -   | 1   | 2119806-1   | INSERT, SHEAR                       | 13  |
| - | 1   | 1   | 3-22280-3   | SPRING, COMPRESSION                 | 12  |
| - | 1   | 1   | 1-356885-3  | STOP, SHEAR                         | 11  |
| 1 | -   | 1   | 2119805-1   | SHEAR HOLDER, FRONT                 | 10  |
| 1 | -   | 1   | 318707-1    | FLOATING SHEAR, FRONT               | 9   |
| 1 | 1   | 1   | 1803171-3   | ANVIL, COMBINATION                  | 8   |
| - | -   | -   | -           | -                                   | 7   |
| - | -   | -   | -           | -                                   | 6   |
| - | 1   | 1   | 2119781-6   | DEPRESSOR, SHEAR                    | 5   |
| - | 1   | 1   | 1-238011-7  | BLOCK, CRIMPER SPACER               | 4   |
| 1 | 1   | 1   | 3-1803019-8 | CRIMPER, INSULATION O               | 3   |
| - | 1   | 1   | 455888-8    | SPACER, CRIMPER                     | 2   |
| 1 | 1   | 1   | 4-1490019-7 | CRIMPER, WIRE PREMIUM               | 1   |

PACIFIC VERSION  
Shown on sheets 3 of 4 & 4 of 4  
(Atlantic version shown on sheets 1 of 4 & 2 of 4)

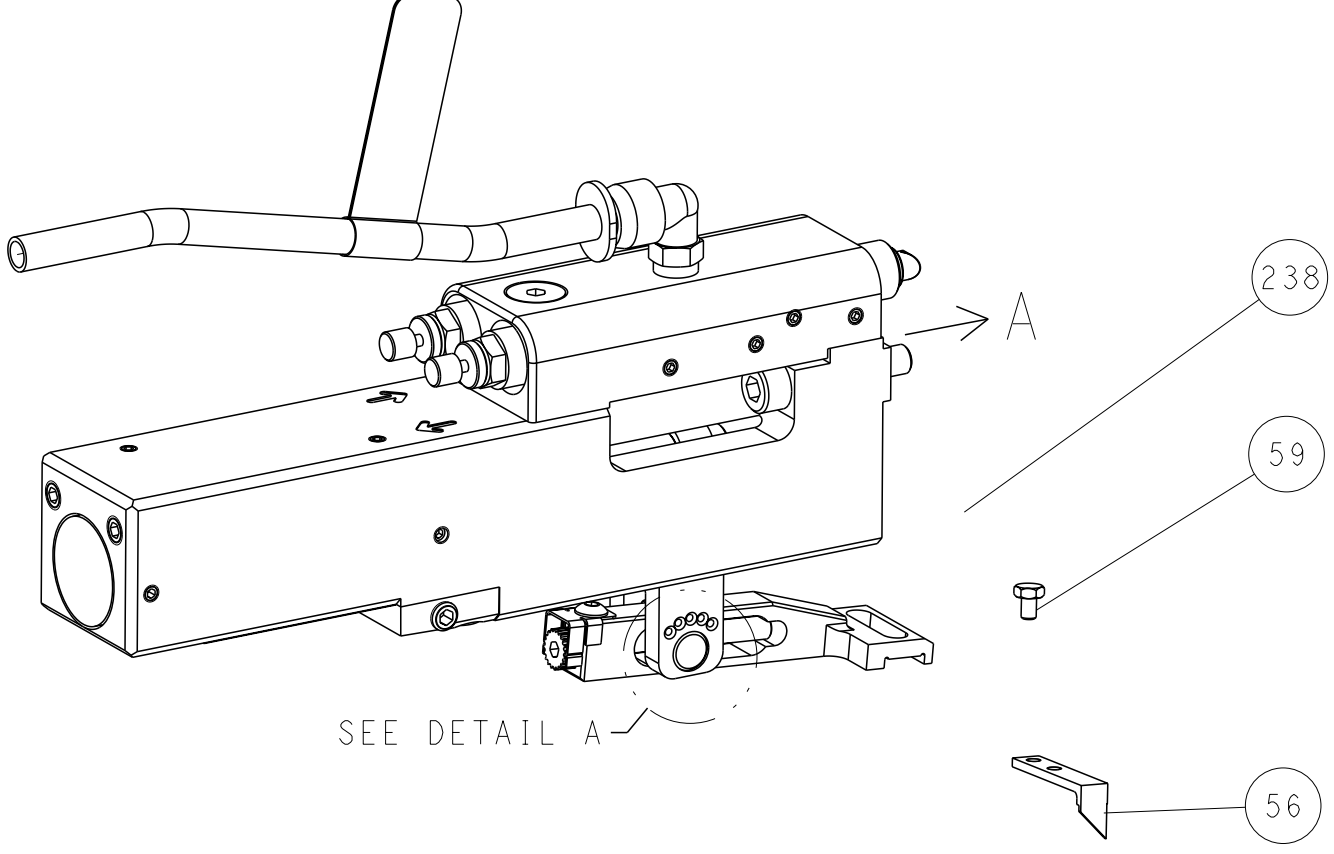
|  |   |  |   |                           |  |
|--|---|--|---|---------------------------|--|
| DIMENSIONS:                            |   | TOLERANCES UNLESS OTHERWISE SPECIFIED: |   | OWN Y. YIN 05AUG2014      | STE TE Connectivity<br>Harrisburg, PA 17105-3608 |
| mm                                     | 0 PLC ±<br>1 PLC ±<br>2 PLC ±<br>3 PLC ±<br>4 PLC ± | mm                                     | ± | CHK G. BAILEY 05AUG2014   |  |
| MATERIAL:                              |   | FINISH:                                |   | APVD U. GUO 05AUG2014     | NAME Ocean Side Feed Applicator                  |
| WEIGHT:                                |   | SCALE:                                 |   | SIZE CAGE CODE DRAWING NO | RESTRICTED TO                                    |
| Customer Accessible Production Drawing |   | SCALE 1:2                              |   | 00779 C=2266432           | 3 of 4   |

| LOC |    | DIST |     | REVISIONS   |      |     |      |
|-----|----|------|-----|-------------|------|-----|------|
| A   | 66 | P    | LYR | DESCRIPTION | DATE | OWN | APVD |
|     |    | -    |     | SEE SHEET 1 | -    | -   | -    |

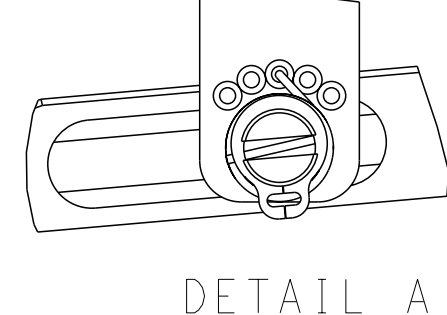
# FEED TYPE MECHANICAL



## PNEUMATIC

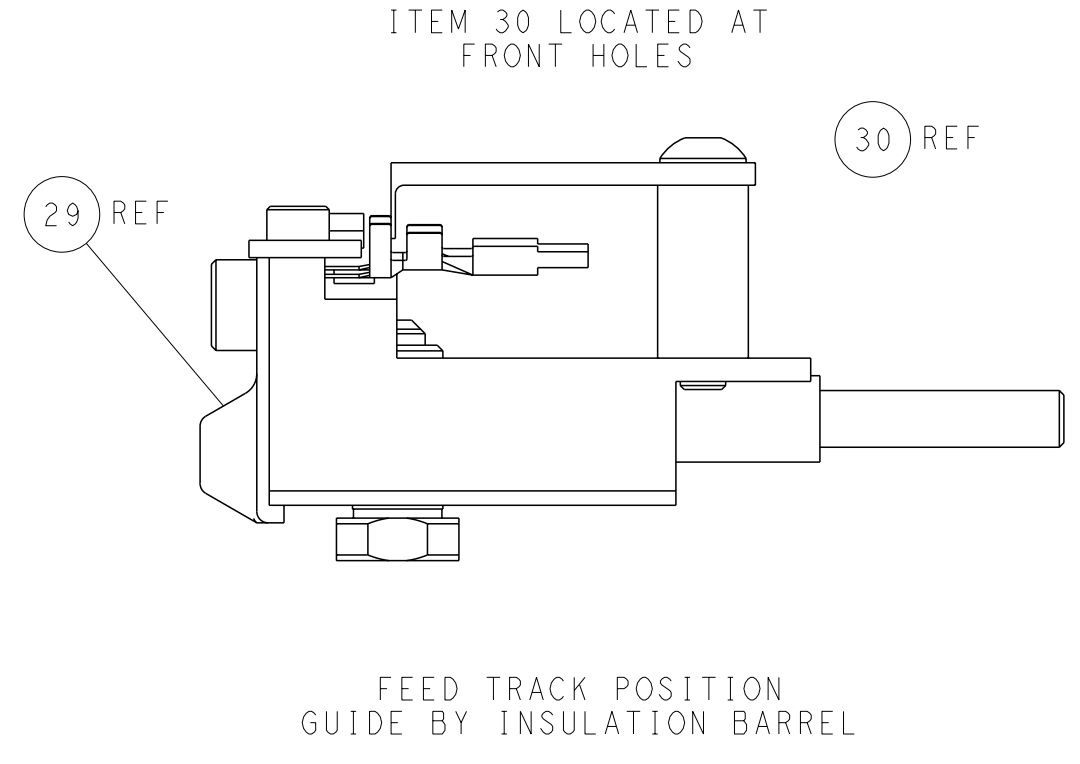
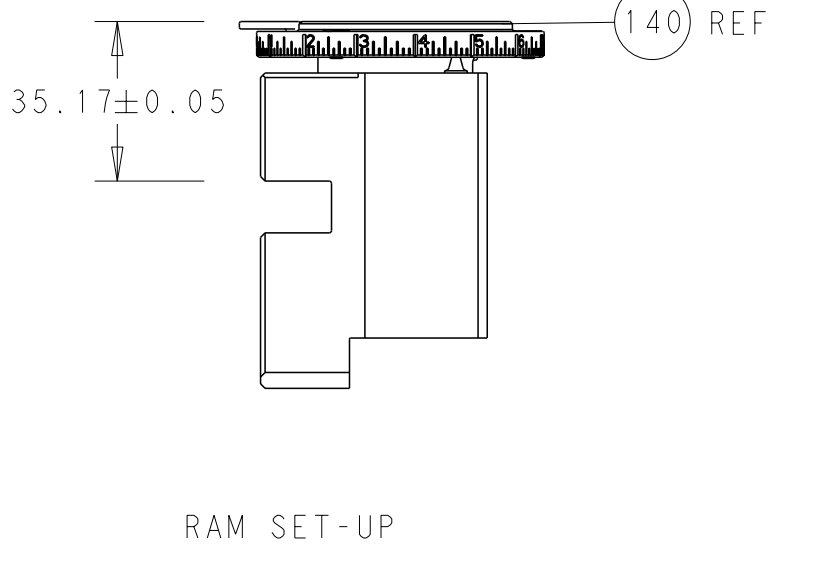
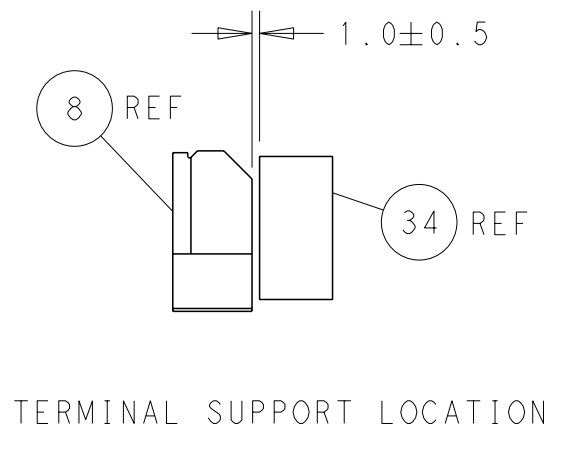
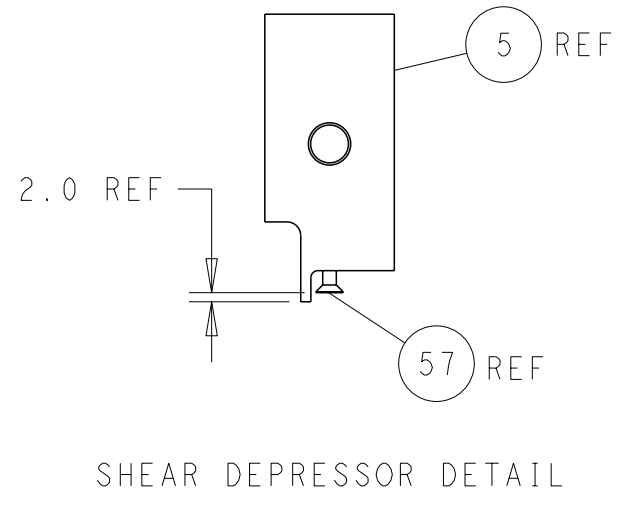
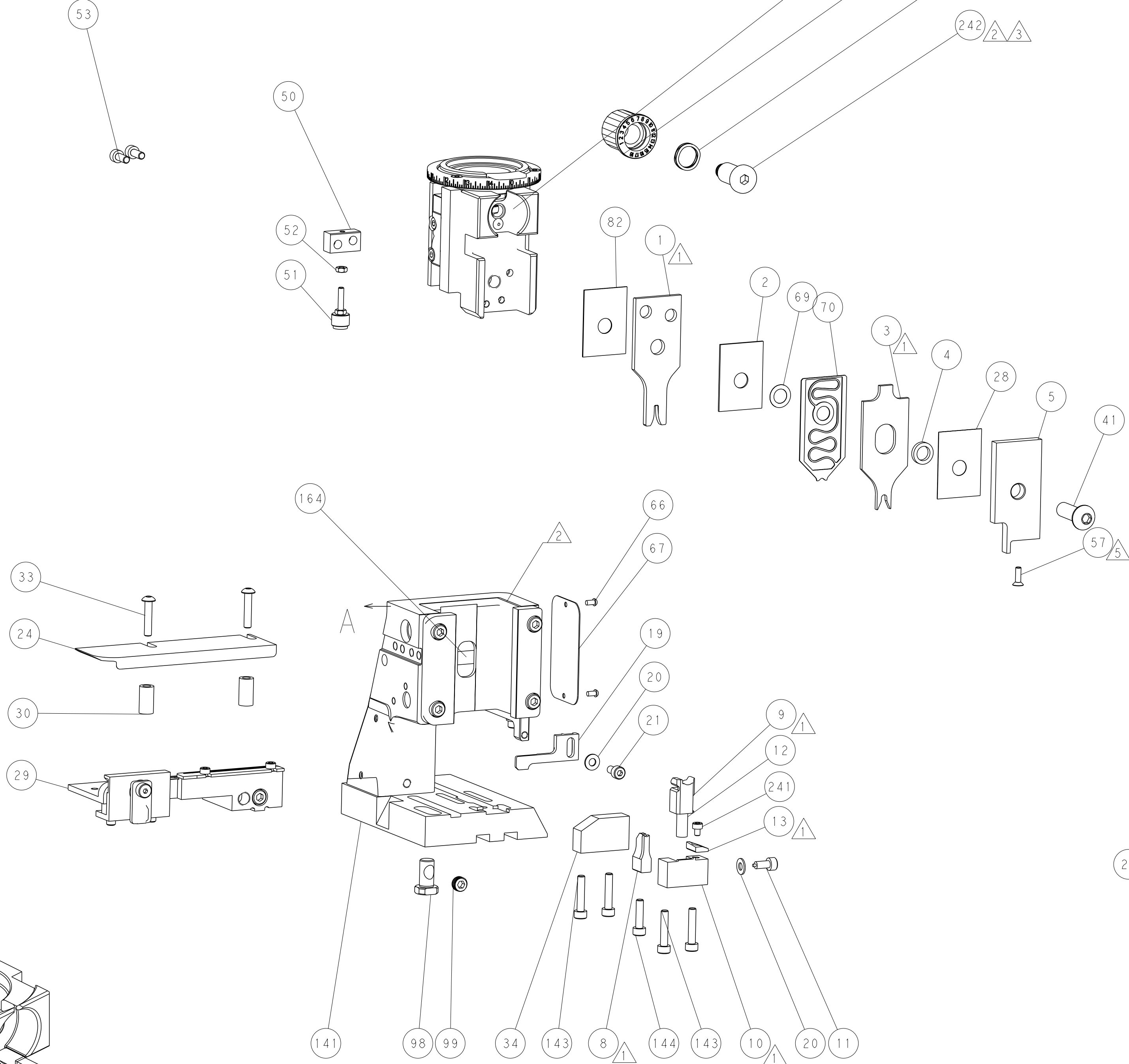
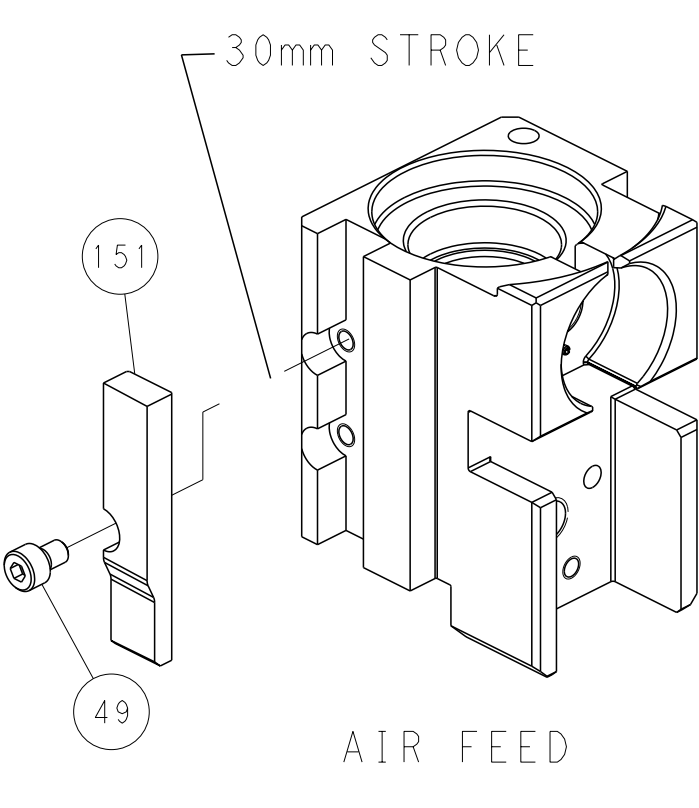
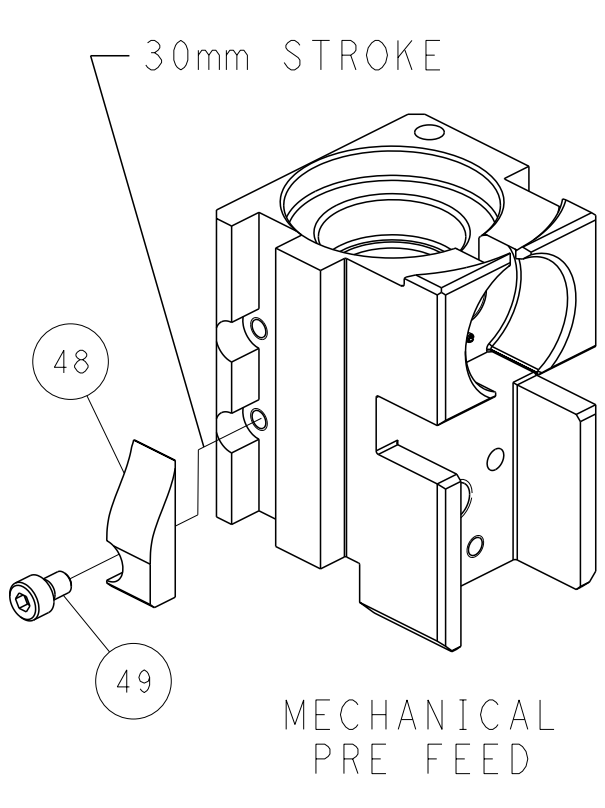
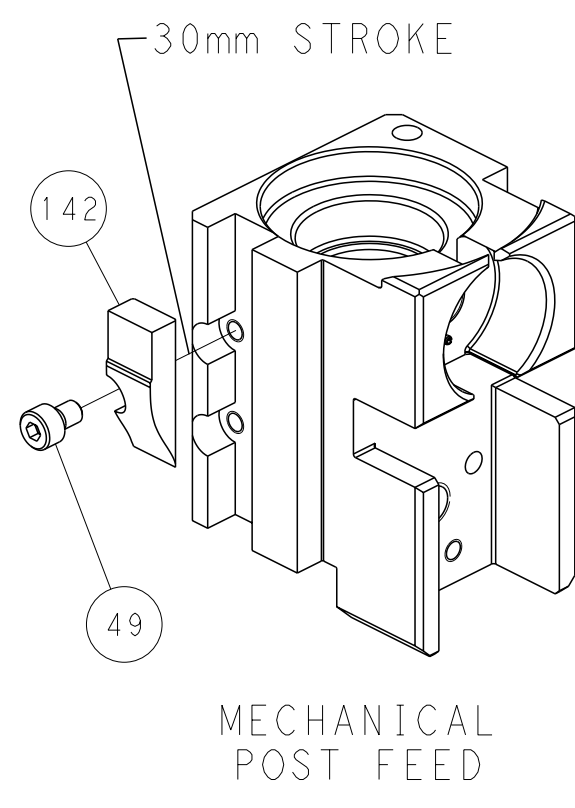


### FEED SPRING SETTING POSITION (SHOWN FROM REAR SIDE)



DETAIL A

# CAM POSITIONS



**PACIFIC VERSION**  
 Shown on sheets 3 of 4 & 4 of 4  
 (Atlantic version shown on sheets 1 of 4 & 2 of 4)

|  |           |   |   |  |
|--|-----------|---|---|--|
| <small>THIS DRAWING IS A CONTROLLED DOCUMENT FOR TYCO ELECTRONICS CORPORATION. IT IS SUBJECT TO CHANGE AND THE CONTROLLING ENGINEERING ORGANIZATION SHOULD BE CONTACTED FOR THE LATEST REVISION.</small> |           | OWN: Y. YIN<br>CHK: G. BAILEY<br>APVD: J. GUO | DATE: 05AUG2014<br>DATE: 05AUG2014<br>DATE: 05AUG2014 | NAME: TE Connectivity<br>Harrisburg, PA 17105-3608 |
| DIMENSIONS: mm<br>TOLERANCES UNLESS OTHERWISE SPECIFIED:<br>0 PLC ±<br>1 PLC ±<br>2 PLC ±<br>3 PLC ±<br>4 PLC ±<br>ANGLES FINISH ±   | MATERIAL: | WEIGHT:                                       | SIZE: A1<br>CAGE CODE: 00779<br>DRAWING NO: C=2266432 | RESTRICTED TO:                                     |
| Customer Accessible Production Drawing   |           | SCALE: 1:2                                    | SHEET 4 of 4  | REV B  |