

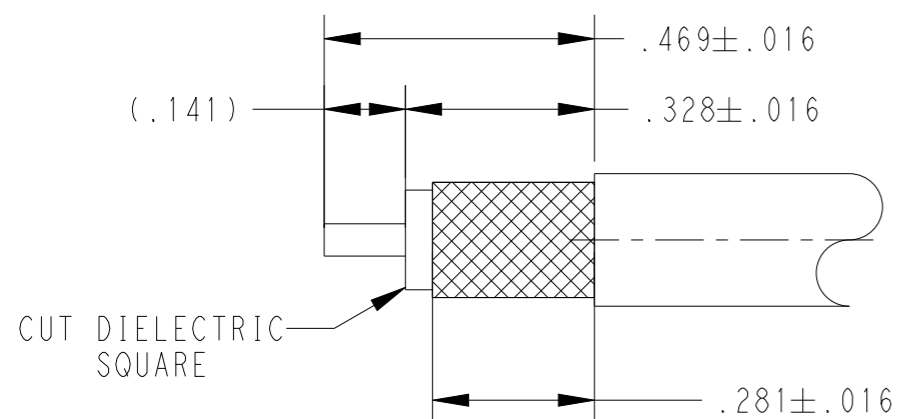
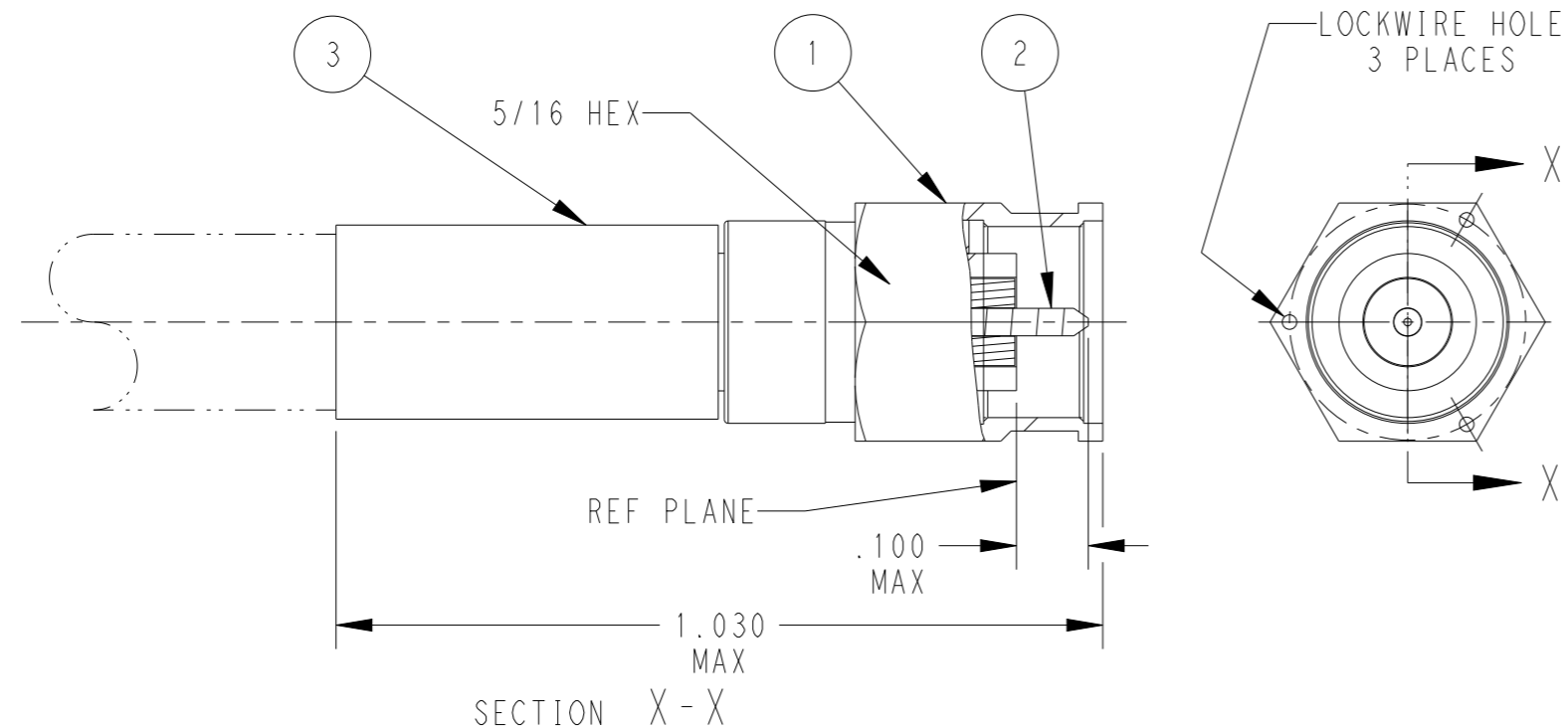
WARNING - THIS DOCUMENT CONTAINS TECHNOLOGY WHOSE EXPORT IS RESTRICTED BY THE EXPORT ADMINISTRATION REGULATIONS ("EAR") PURSUANT TO 15 C.F.R. PARTS 730-774. VIOLATIONS OF THE EAR ARE SUBJECT TO SEVERE CRIMINAL PENALTIES UNDER THE EXPORT CONTROL REFORM ACT, AS AMENDED (TITLE 50, U.S.C., SEC. 4801, ET SEQ.).

REVISIONS					
P	LTR	DESCRIPTION	DATE	DWN	APVD
	H	RELEASE PER ECN-24-271629	21JUN2024	RTF	J.G.

NOTES:

- FOR USE WITH: RG-142/U, 142A/U & 142B/U CABLE
- CRIMP WITH TOOL: 220061-1
- SEE I.S. 408-2322
- 00779 M39012/55B3022

PART	MATERIAL	FINISH
INNER FERRULE	STAINLESS STEEL PER ASTM A484 & A582 TYPE 303	PASSIVATE PER SAE-AMS-2700
SHELL		
COUPLING NUT		
DIELECTRIC	PTFE PER ASTM D 1457	-
SEAL	SILICONE RUBBER PER A-A-59588	-
RETAINING RING	BeCu PER ASTM B 194 ALLOY 172 CONDITION H	-
FERRULE	COPPER OR BRASS ALLOY, ROCKWELL B45 MAX	TIN LEAD PER ASTM B545
CONTACT	BRASS PER ASTM B16	GOLD PLATE PER ASTM B488 OVER NICKEL PLATE PER SAE-AMS-QQ-N-290



RECOMMENDED STRIP LENGTH

1	FERRULE	3
1	CONTACT	2
1	PLUG ASSEMBLY	1
QTY	DESCRIPTION	ITEM

THIS DRAWING IS A CONTROLLED DOCUMENT.

DWN	R. FRAZIER	21Jun24	 TE Connectivity	NAME PLUG, SERIES SMA		
CHK	J. GUNDERMANN	-				
APVD	D. WILSON	-				
PRODUCT SPEC	-	-				
APPLICATION SPEC	-	-	SIZE	CAGE CODE	DRAWING NO	RESTRICTED TO
WEIGHT	.134 OZ	A3	00779	©=225532-3	-	
CUSTOMER DRAWING	SCALE	4:1	SHEET	1 OF 1	REV	H

DIMENSIONS:	TOLERANCES UNLESS OTHERWISE SPECIFIED:
in	
0 PLC	±-
1 PLC	±-
2 PLC	±-
3 PLC	±-
4 PLC	±-
ANGLES	±-
MATERIAL	FINISH