

4

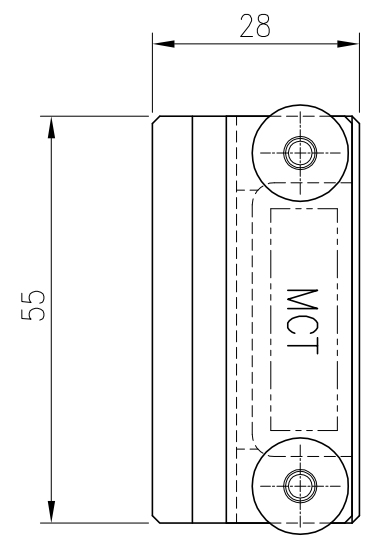
3

2

1

THIS DRAWING IS UNPUBLISHED. RELEASED FOR PUBLICATION
 © COPYRIGHT - By - ALL RIGHTS RESERVED.

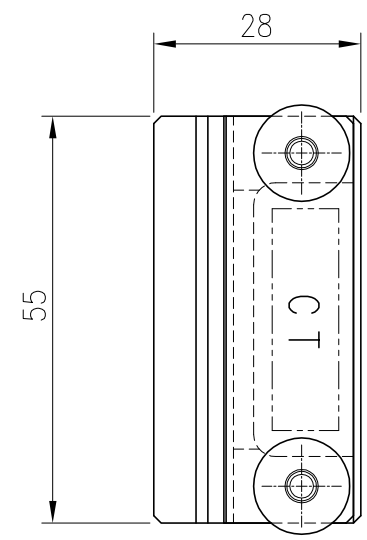
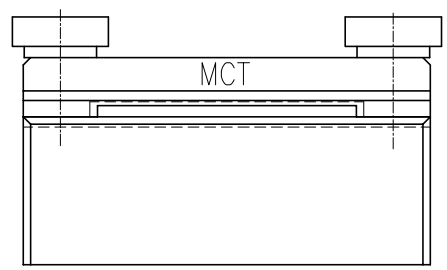
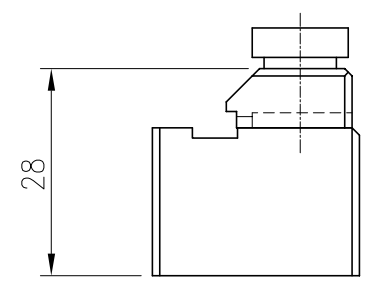
LOC	DIST	REVISIONS			
P	LTR	DESCRIPTION	DATE	DWN	APVD
J	-	B	DWG REVISED	07APR14	K.M S.S



2255193-1 (for MINI-CT)

仕様 (Specifications)

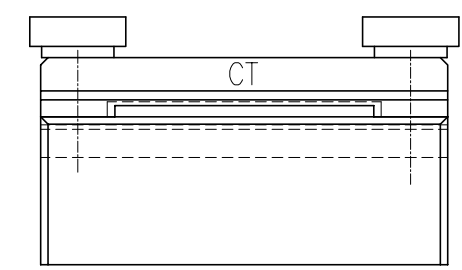
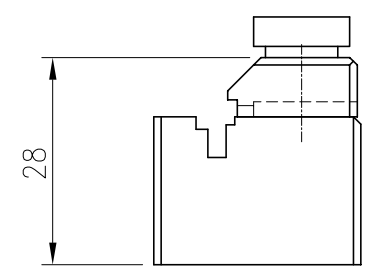
- (1) 外観寸法 (OVERALL) : W55xD28xH28
- (2) 重量 (WEIGHT) : 約260g (about 260g)
- (3) 取扱説明書 (INSTRUCTION SHEET) : 408-78072



2255193-2 (for CT)

仕様 (Specifications)

- (1) 外観寸法 (OVERALL) : W55xD28xH28
- (2) 重量 (WEIGHT) : 約260g (about 260g)
- (3) 取扱説明書 (INSTRUCTION SHEET) : 408-78072



THIS DRAWING IS A CONTROLLED DOCUMENT.		DWN K. MARUYAMA 14 JAN 14		
		CHK K. MARUYAMA 14 JAN 14		
		APVD S. SUZUKI 14 JAN 14		
DIMENSIONS: mm		TOLERANCES UNLESS OTHERWISE SPECIFIED:		NAME CONN, STAND JIG
		0 PLC ± - 1 PLC ± - 2 PLC ± - 3 PLC ± - 4 PLC ± - ANGLES ± -		PRODUCT SPEC -
MATERIAL		FINISH -		APPLICATION SPEC -
		WEIGHT -		SIZE A3
		CUSTOMER DRAWING		CAGE CODE 00779
				DRAWING NO C-2255193
				RESTRICTED TO -
				SCALE ---
				SHEET 1 of 1
				REV B