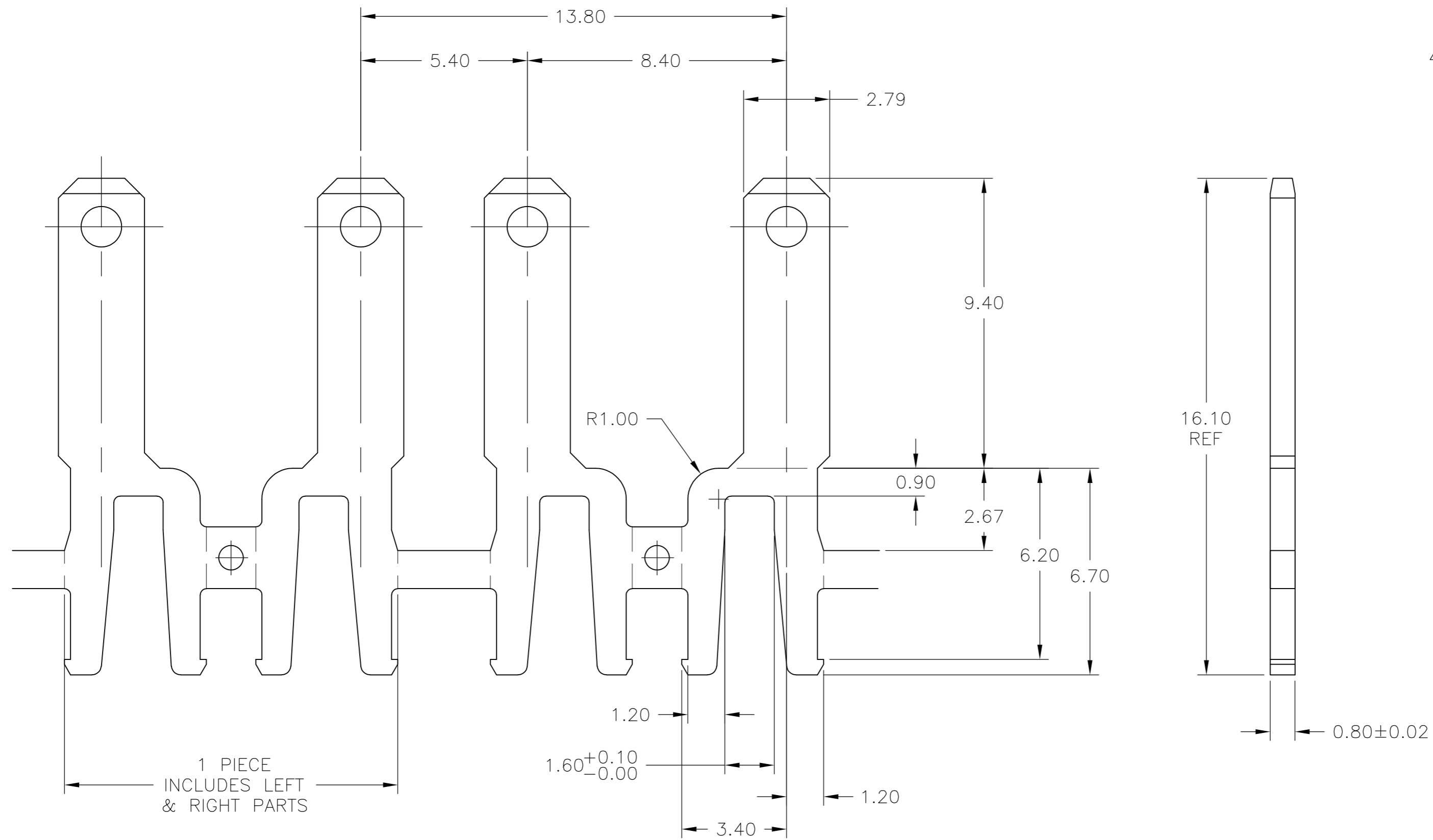


THIS DRAWING IS UNPUBLISHED. RELEASED FOR PUBLICATION
 © COPYRIGHT - By - ALL RIGHTS RESERVED.

LOC		DIST		REVISIONS			
P	LTR	DESCRIPTION		DATE	DWN	APVD	
2		ADDED 1 PIECE DIM		31OCT13	JR	PD	

1 SUPPLIED ON CONTINUOUS STRIP ON REELS.
 2 PRELIMINARY - NOT FOR PRODUCTION



2238044-1
 PART NO.

THIS DRAWING IS A CONTROLLED DOCUMENT.		DWN	JR RUTH	30AUG2013		
DIMENSIONS: mm		CHK	PETE DESANTIS	30AUG13		
TOLERANCES UNLESS OTHERWISE SPECIFIED:		APVD	PETE DESANTIS	30AUG13	NAME	
0 PLC ± - 1 PLC ± - 2 PLC ± 0.20 3 PLC ± - 4 PLC ± - ANGLES ± -		PRODUCT SPEC		TAB, SPECIAL BOBBIN, .110 SERIES		
MATERIAL: BRASS		FINISH: TIN OVER NICKEL		APPLICATION SPEC		RESTRICTED TO
WEIGHT: -		SIZE	A2	CAGE CODE	00779	DRAWING NO
CUSTOMER DRAWING		SCALE: 8:1		SHEET: 1 of 1		REV: 2

2238044