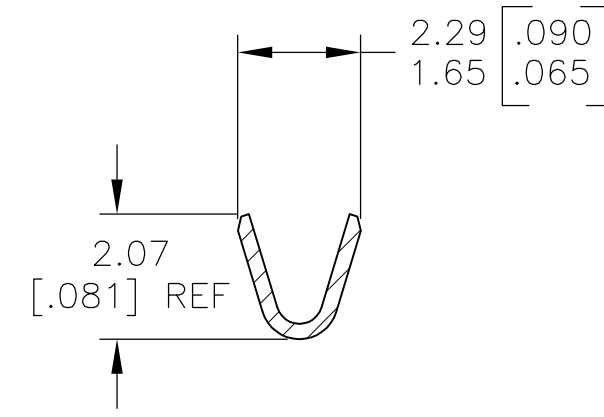
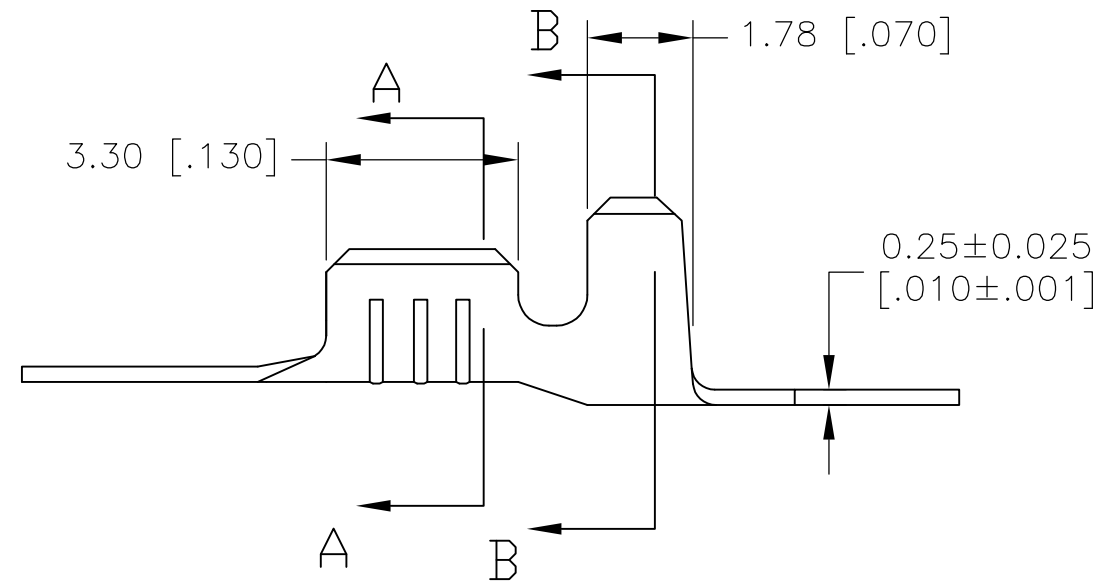
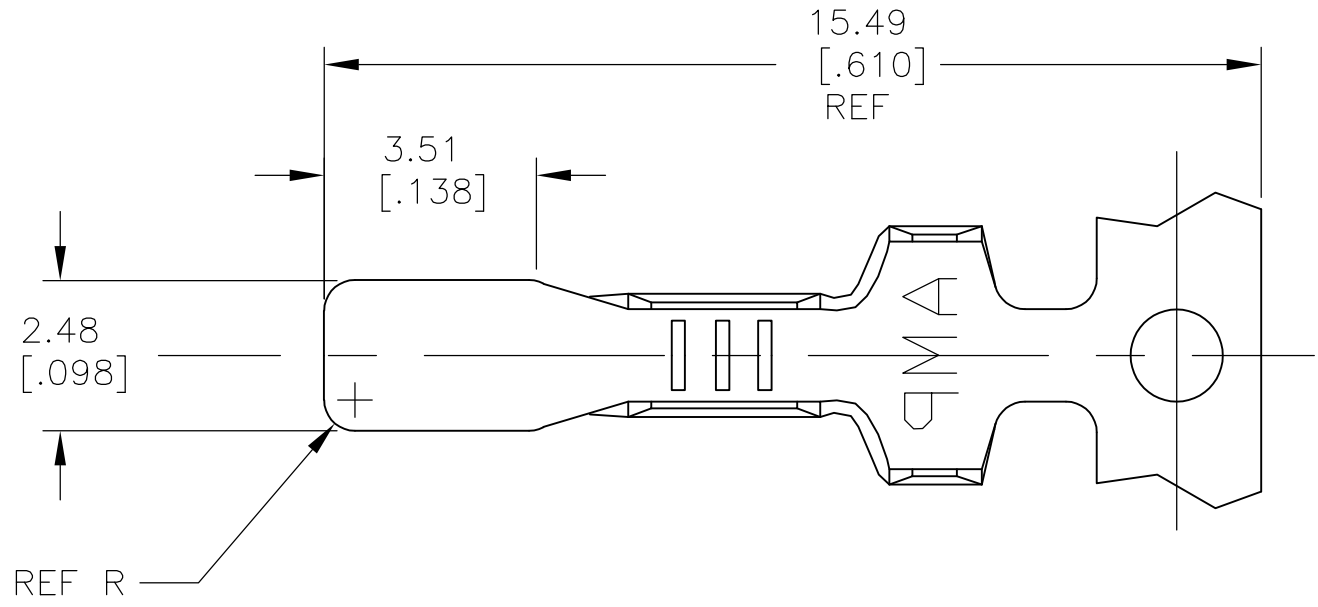


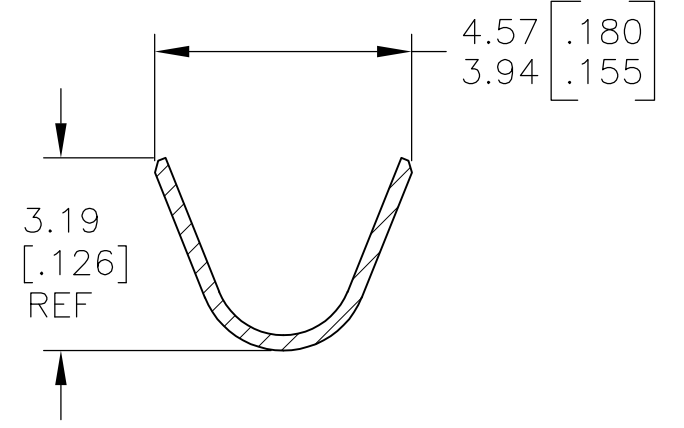
THIS DRAWING IS UNPUBLISHED. RELEASED FOR PUBLICATION
 © COPYRIGHT - By - ALL RIGHTS RESERVED.

LOC	DIST	REVISIONS			
P	LTR	DESCRIPTION	DATE	DWN	APVD
AF	-	2	REVISED	25JUN13	JR PD

- 1 CONTINUOUS STRIP ON REELS
- 2 WIRE RANGE IS #24-#20 AWG
- 3 INSULATION RANGE IS 1.52-2.54 [.060-.100] DIA
- △ 4 PRELIMINARY - NOT FOR PRODUCTION



SECTION A-A



SECTION B-B

△ 2238029-1

PART NUMBER

THIS DRAWING IS A CONTROLLED DOCUMENT.		DWN JR RUTH 06MAR13	TE Connectivity				
DIMENSIONS: MM [INCHES]		CHK PETE DESANTIS 06MAR13					
TOLERANCES UNLESS OTHERWISE SPECIFIED: 0 PLC ± - 1 PLC ± - 2 PLC ± 0.25 [.010] 3 PLC ± - 4 PLC ± - ANGLES ± -		APVD PETE DESANTIS 06MAR13	NAME TAB, WELD				
		PRODUCT SPEC -	APPLICATION SPEC -				
MATERIAL PHOS BRONZE		FINISH PLAIN	WEIGHT -	SIZE A3	CAGE CODE 00779	DRAWING NO C-2238029	RESTRICTED TO -
CUSTOMER DRAWING			SCALE 6:1	SHEET 1 OF 1	REV 2		