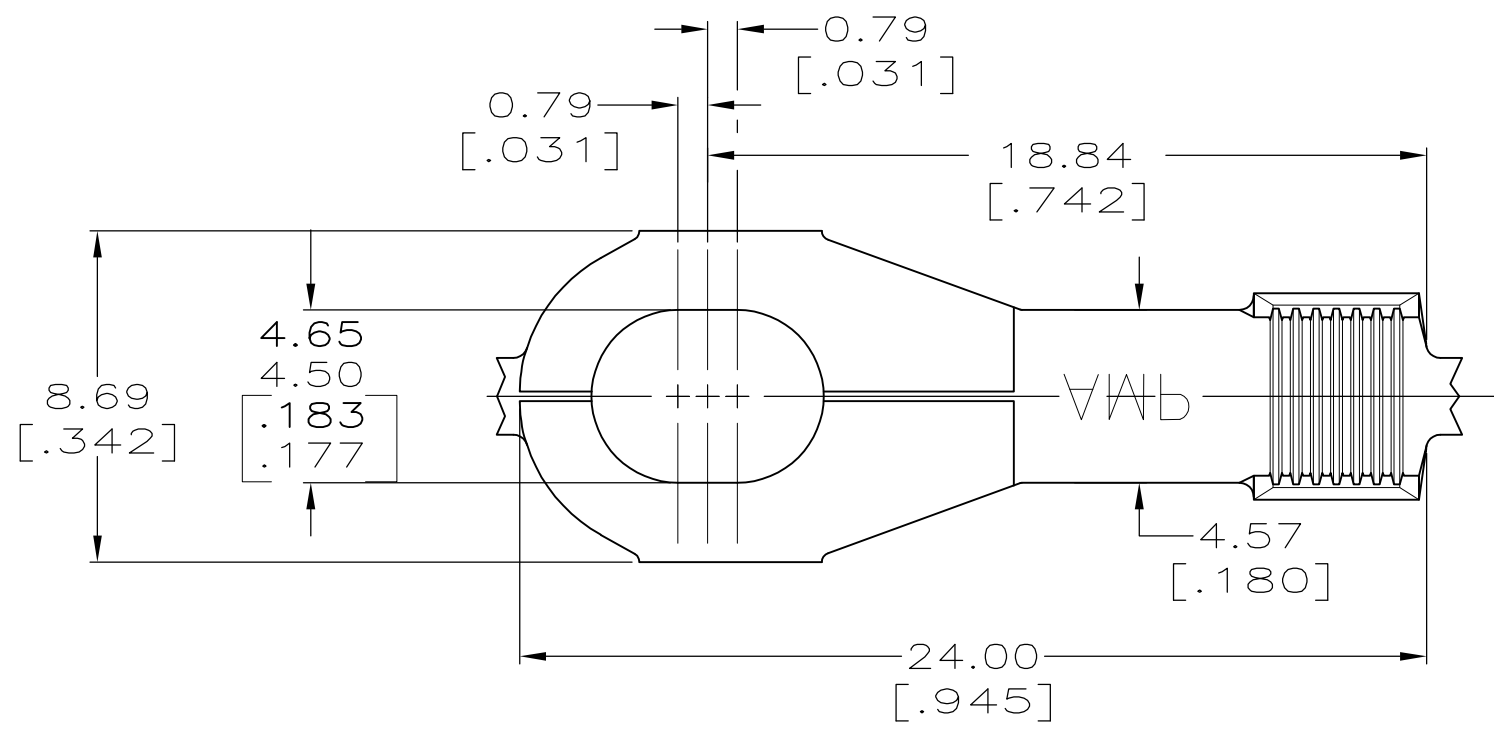
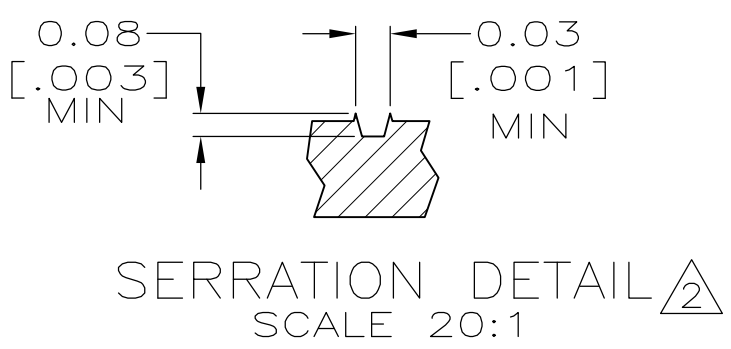
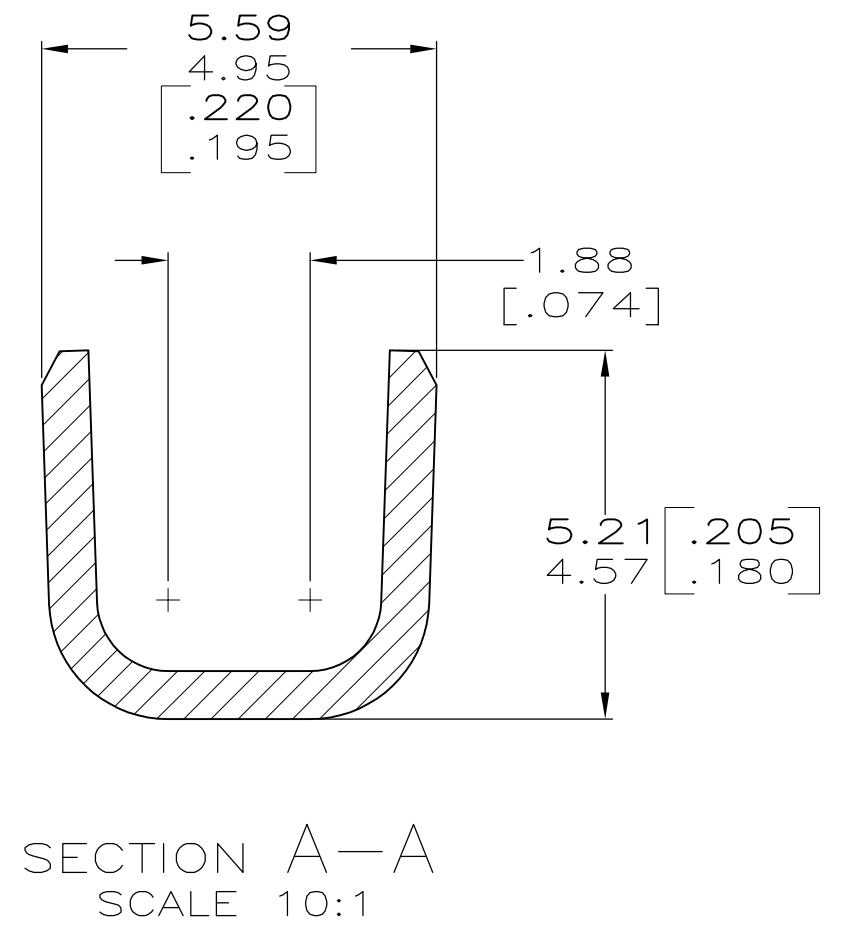
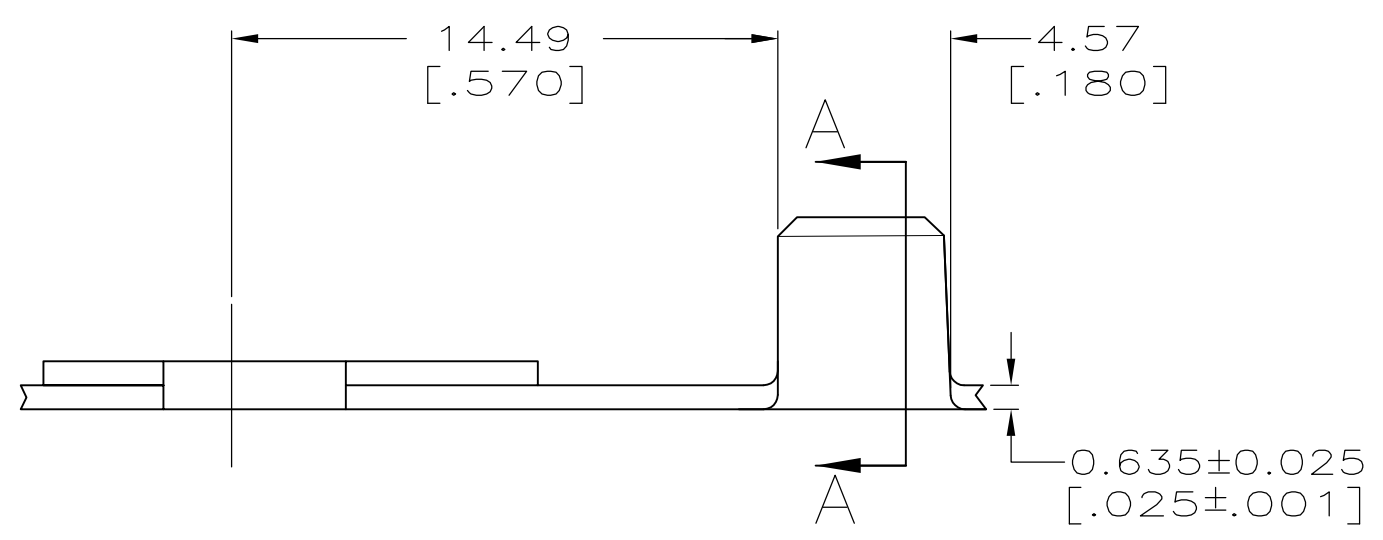


THIS DRAWING IS UNPUBLISHED. RELEASED FOR PUBLICATION  
 © COPYRIGHT - By TYCO ELECTRONICS CORPORATION. ALL RIGHTS RESERVED.

LOC	DIST	REVISIONS			
P	LTR	DESCRIPTION	DATE	DWN	APVD
AF	50	2	1st RELEASE	21MAY2014	GRZ JL



- 1 CONTINUOUS STRIP ON REEL.
- 2 SERRATION DETAIL APPLIES ONLY AT STRAIGHT PORTION ON SIDE OF BARREL.



14-12 AWG OR (2) 15 AWG	2232793-1
WIRE RANGE	PART NUMBER

THIS DRAWING IS A CONTROLLED DOCUMENT.		DWN GARY.Z 14APR1999	TE Connectivity		
DIMENSIONS: mm		CHK JAIN.L 14APR1999			
TOLERANCES UNLESS OTHERWISE SPECIFIED:		APVD JAIN.L 14APR1999	PRODUCT SPEC		
0 PLC ± -		APPLICATION SPEC	SIZE CAGE CODE DRAWING NO RESTRICTED TO		
1 PLC ± -		—	A3 00779 C-2232793		
2 PLC ± 0.25[.010]		—	SCALE 5:1 SHEET 1 OF 1 REV 2		
3 PLC ± -		—	—		
4 PLC ± -		—	—		
ANGLES ± -		—	—		
MATERIAL BRASS	FINISH TIN	WEIGHT -	CUSTOMER DRAWING		