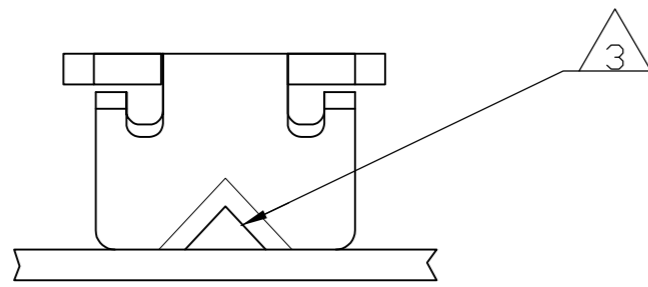
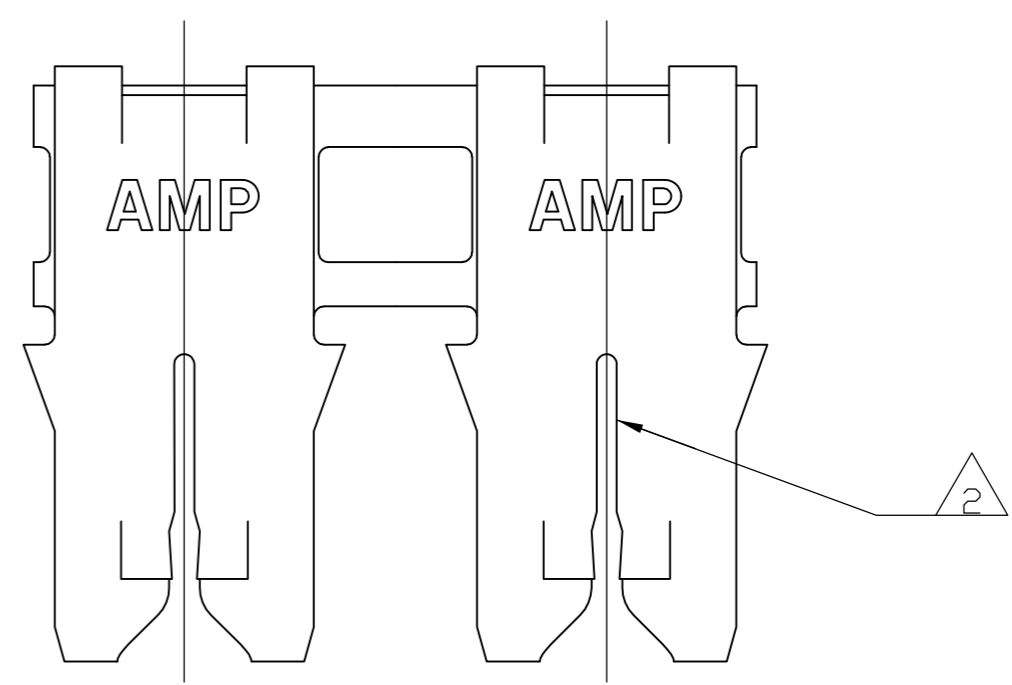
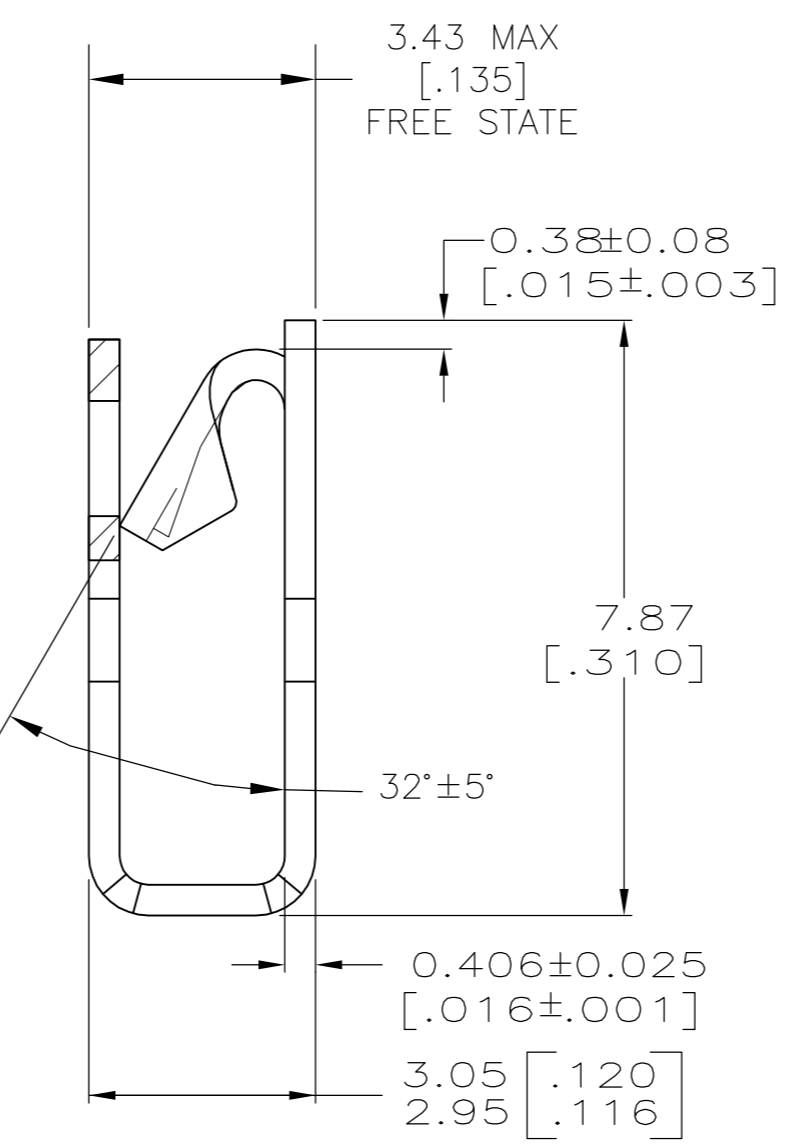
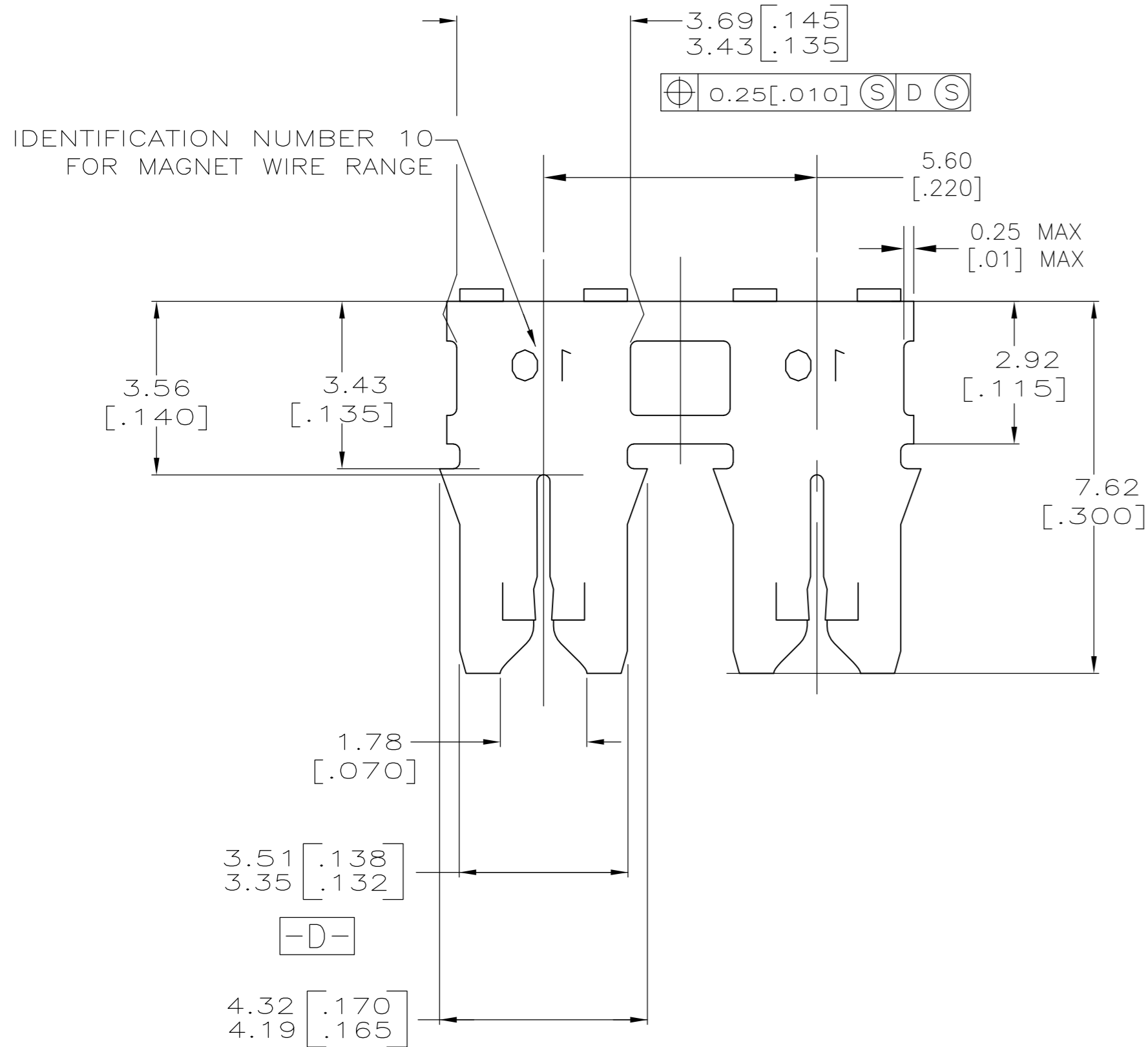


THIS DRAWING IS UNPUBLISHED. RELEASED FOR PUBLICATION
 © COPYRIGHT - By - ALL RIGHTS RESERVED.

LOC		DIST		REVISIONS			
P	LTR	DESCRIPTION		DATE	DWN	APVD	
AF	50	A	1ST RELEASE	14OCT2013	GRZ	JL	



- 1 CONTINUOUS STRIP ON REELS WITH TERMINALS LOCATED ON 5.59±0.08 [.220±.003] CENTERS.
- 2 SLOT ACCEPTS EITHER A SINGLE OR DOUBLE MAGNET WIRE OF THE SAME SIZE AND TYPE. COPPER RANGE 0.36-0.57mm [#27-#23 AWG].
- 3 POKE-IN ACCEPTS A 0.50-0.90mm² [#20-#18] AWG SOLID OR FUSED STRANDED LEAD WIRE.
- 4 SPECIAL REEL QUANTITY - AMP SPAIN PRODUCTION ONLY.
- 5 PREPRODUCTION - FASR REQUIRED.



62935-1	5 2232698-1
STRIP	LOOSE PIECE

THIS DRAWING IS A CONTROLLED DOCUMENT.		DWN	G ZHANG	14OCT2013		TE Connectivity		
DIMENSIONS: INCHES		CHK	J LIU	14OCT2013		NAME		
TOLERANCES UNLESS OTHERWISE SPECIFIED:		APVD	J LIU	15MAR2004		PRODUCT SPEC		
0 PLC ± -		APPLICATION SPEC		108-2012		TERMINAL, POKE-IN, 300 SERIES MAG-MATE LOOSE VERSION DOUBBLE TERMINAL		
1 PLC ± -		MATERIAL		BRASS	FINISH	TIN	RESTRICTED TO	
2 PLC ± 0.25 [.010]		WEIGHT		-	SCALE		10:1	
3 PLC ± -		CUSTOMER DRAWING		A2 00779 C=2232698		SHEET 1 of 1		
4 PLC ± -		SCALE		10:1	REV		A	
ANGLES ± -		SHEET		1 of 1	REV		A	