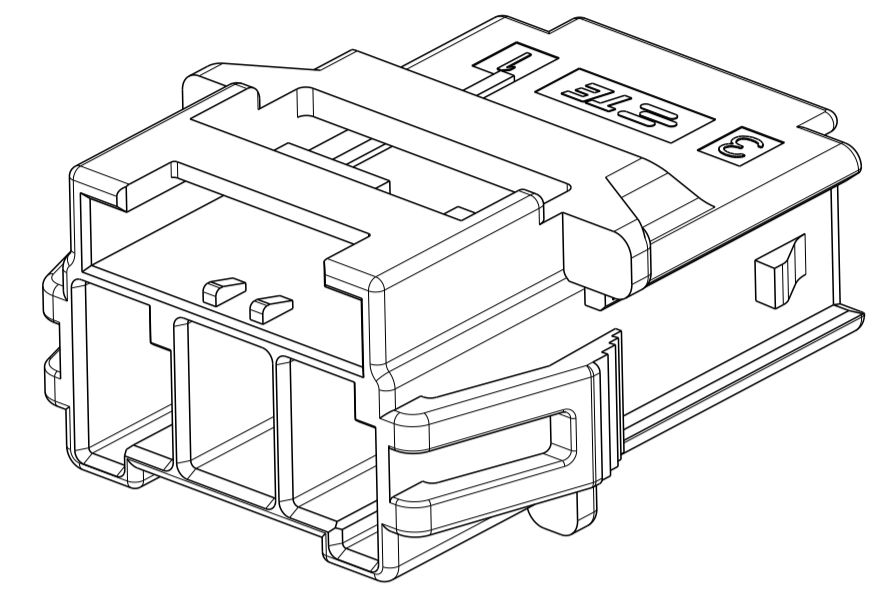
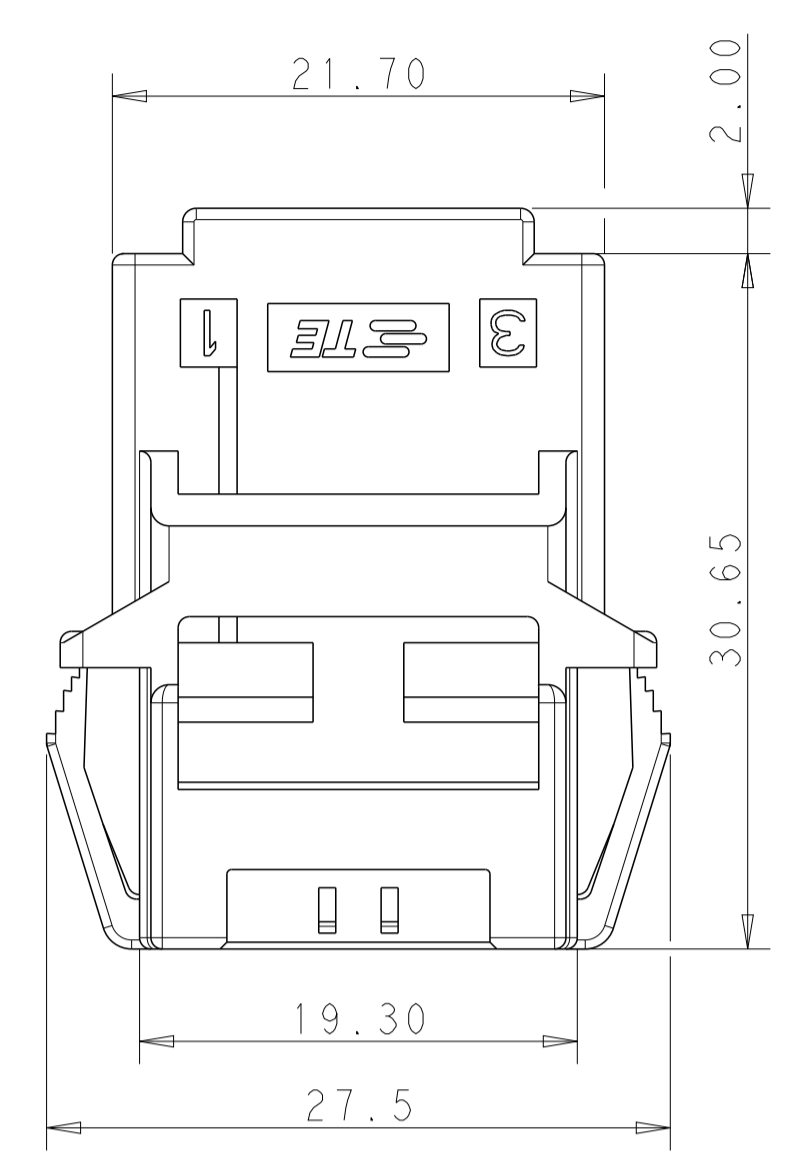
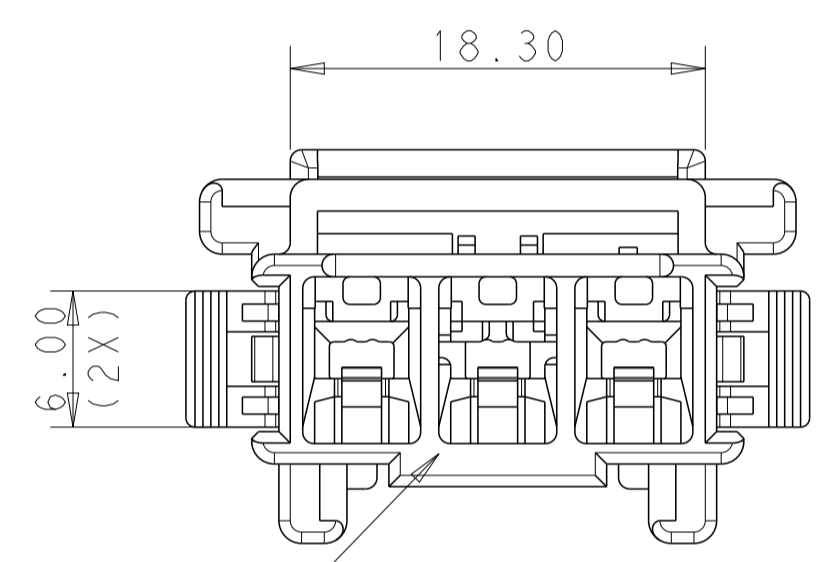
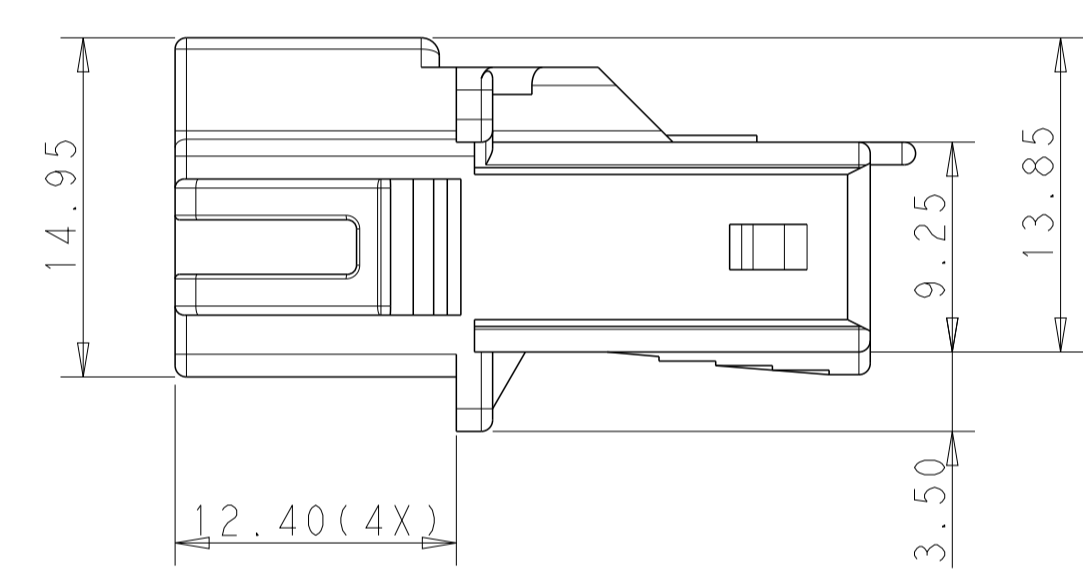
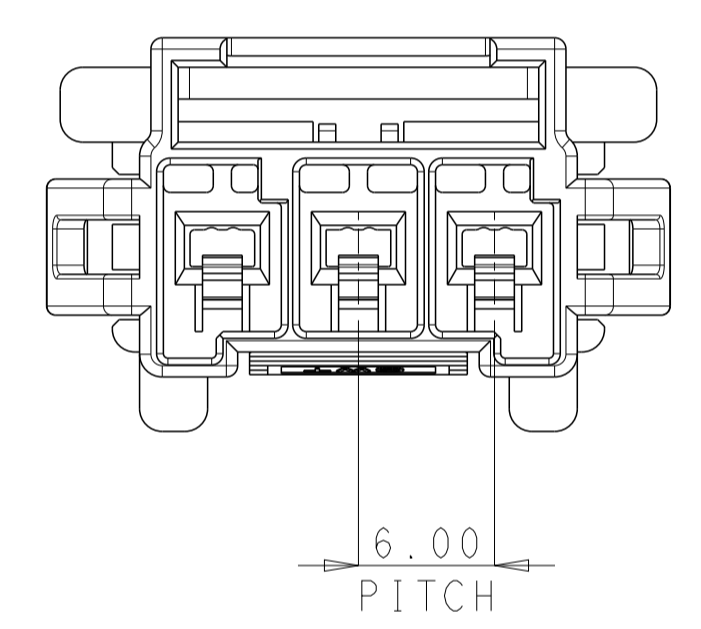


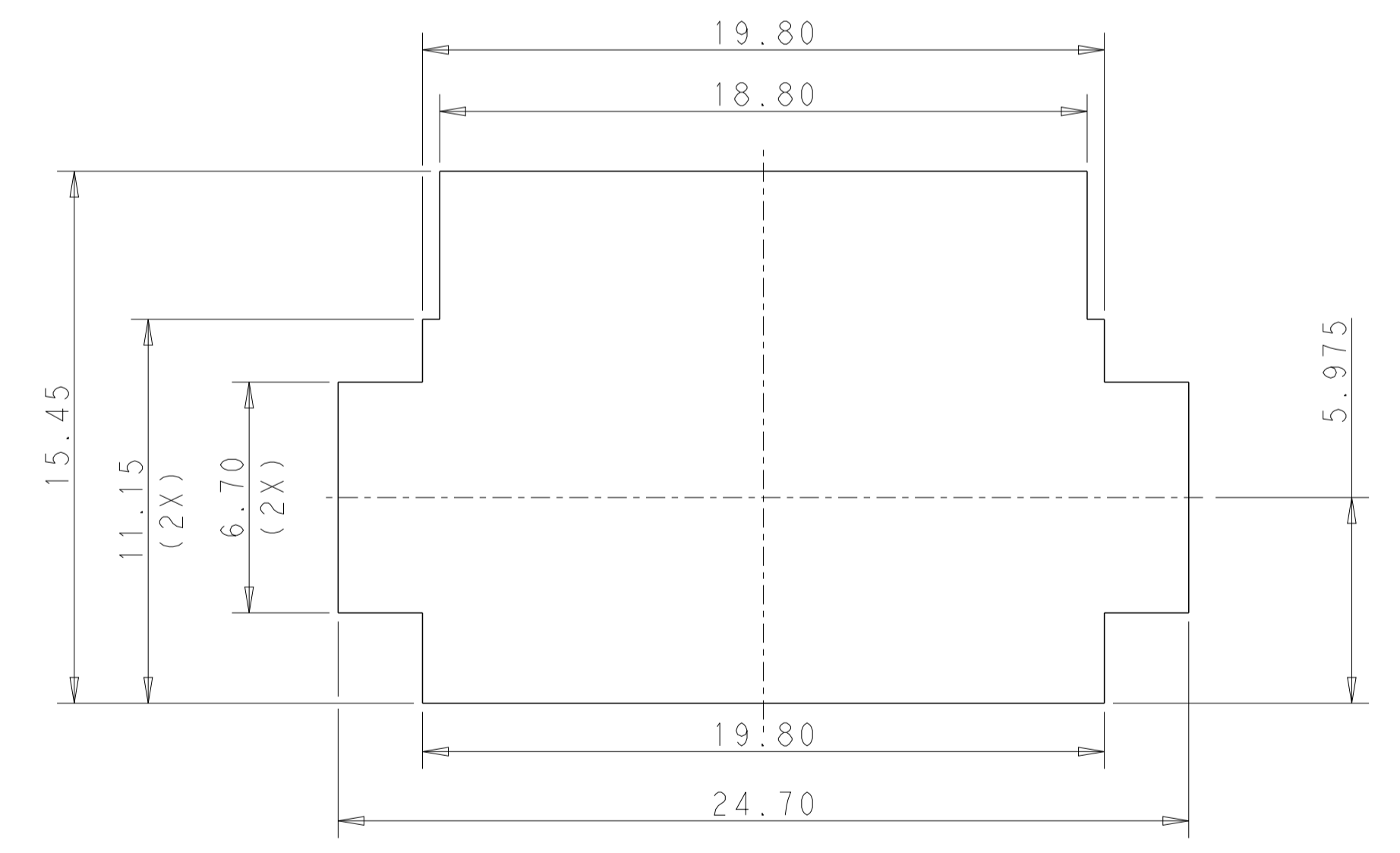
| REVISIONS |     |                              |           |        |
|-----------|-----|------------------------------|-----------|--------|
| P         | LTN | DESCRIPTION                  | DATE      | APVD   |
| B1        |     | REVISED PER ECO-16-012046    | 16AUG2016 | RS GJ  |
| C         |     | REVISED AS PER ECN-24-257663 | 25MAR2024 | SKR DS |



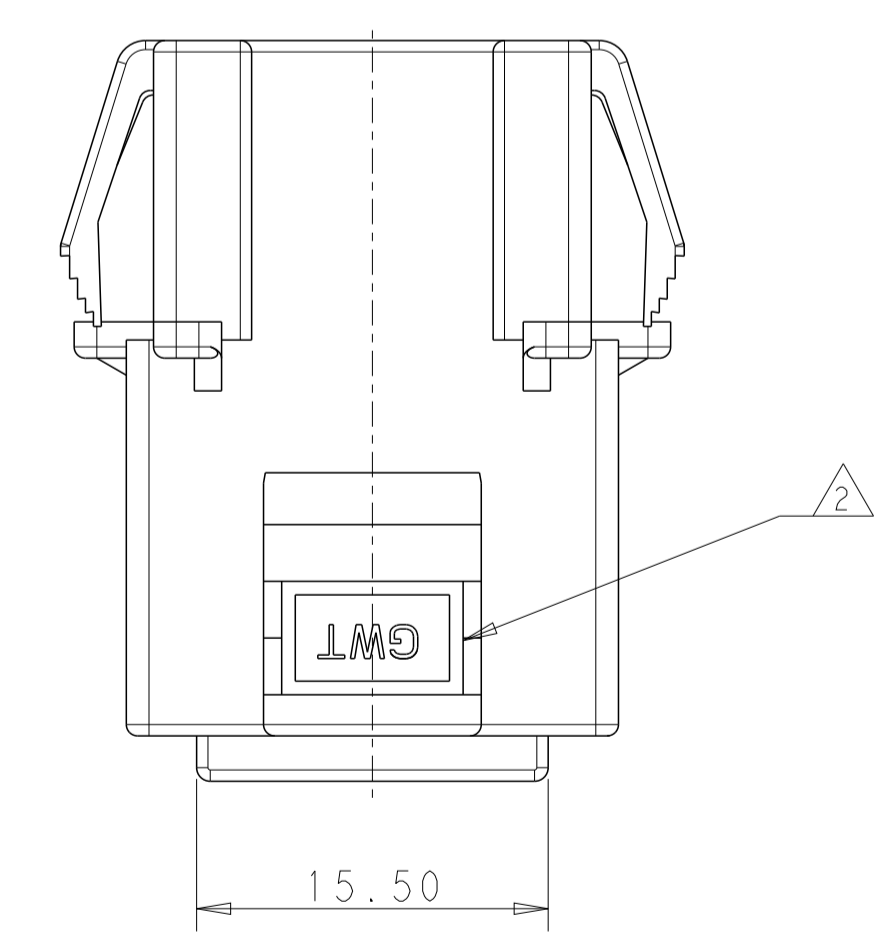
- 1 MATERIAL: NYLON PA66 GLASS FILLED, NATURAL, UL94 V-0
- 2 MATERIAL MARK: GWT
- 3 COMPLIES WITH GLOW WIRE REQUIREMENT FOR PARTS OF NON-METALLIC MATERIAL SUPPORTING A CURRENT CARRYING CONNECTION DETAILED IN IEC 60335-1, SECTION 30 (GWT 750°C NF)
- 4 APPLICABLE CONTACT P/N  
GROUND TAB 2232724-\* AND 2238094-\*  
IN CENTER POSITION.  
TAB 1971784-\* AND 1971786-\* IN POSITIONS 1 AND 3.
- 5 MATING CONN, P/N  
PLUG HSG: 5-2232362-3  
TPA : 1971777-3



CENTER POSITION IS KEYS TO ACCEPT GROUND TAB CONTACT



RECOMMENDED PANEL OPENING DIMENSIONS FOR CAP HOUSING 1\*3 POSITION (TOLERANCE: ±0.15MM) (RECOMMENDED PANEL THICKNESS: 1.0-2.0mm)



|          |              |               |                 |
|----------|--------------|---------------|-----------------|
| 1*3 POS. | GWT MATERIAL | NATURAL COLOR | 5-2232353-3 P/N |
|----------|--------------|---------------|-----------------|

|  |       |                |  |  |
|--|-------|----------------|--|--|
| THIS DRAWING IS A CONTROLLED DOCUMENT. |       | OWN: 23JUL2013 | TE Connectivity  |  |
| DIMENSIONS: mm                         |       | CHK: 23JUL2013 |  |  |
| TOLERANCES UNLESS OTHERWISE SPECIFIED: |       | APVD: HAPYE_WU | NAME: PTL MFBL (MAKE FIRST BREAK LAST) PM CAP 3 POSITION |  |
| 0 PLC                                  | ±     | YUHONG MAO     | PRODUCT SPEC: 108-106147                                 |  |
| 1 PLC                                  | ±0.35 | 23JUL2013      | APPLICATION SPEC: 114-106147                             |  |
| 2 PLC                                  | ±0.25 |                | SIZE: A1   |  |
| 3 PLC                                  | ±     |                | CAGE CODE: 00779   |  |
| 4 PLC                                  | ±     |                | DRAWING NO: 2232353                                      |  |
| ANGLES                                 | ±     |                | RESTRICTED TO: CUSTOMER DRAWING                          |  |
| FINISH                                 | -     |                | SCALE: 3:1   |  |
| MATERIAL: 1                            |       | WEIGHT: -      | SHEET: 1 OF 1  |  |
|  |       |                | REV: C   |  |