

4

3

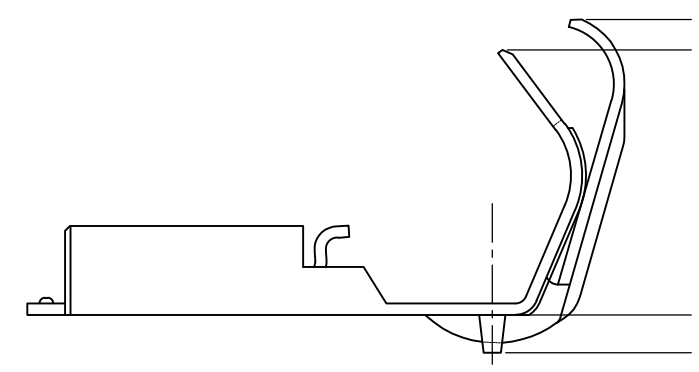
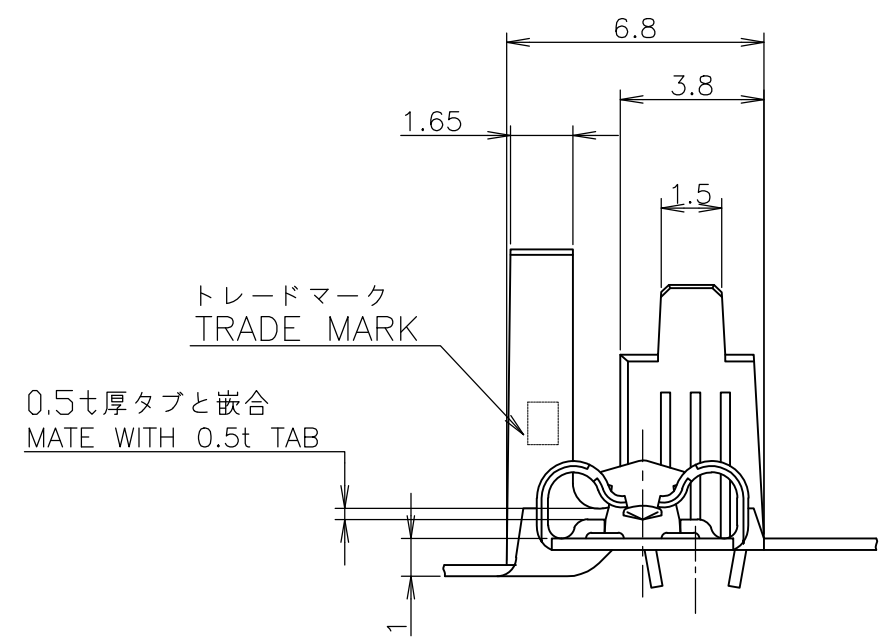
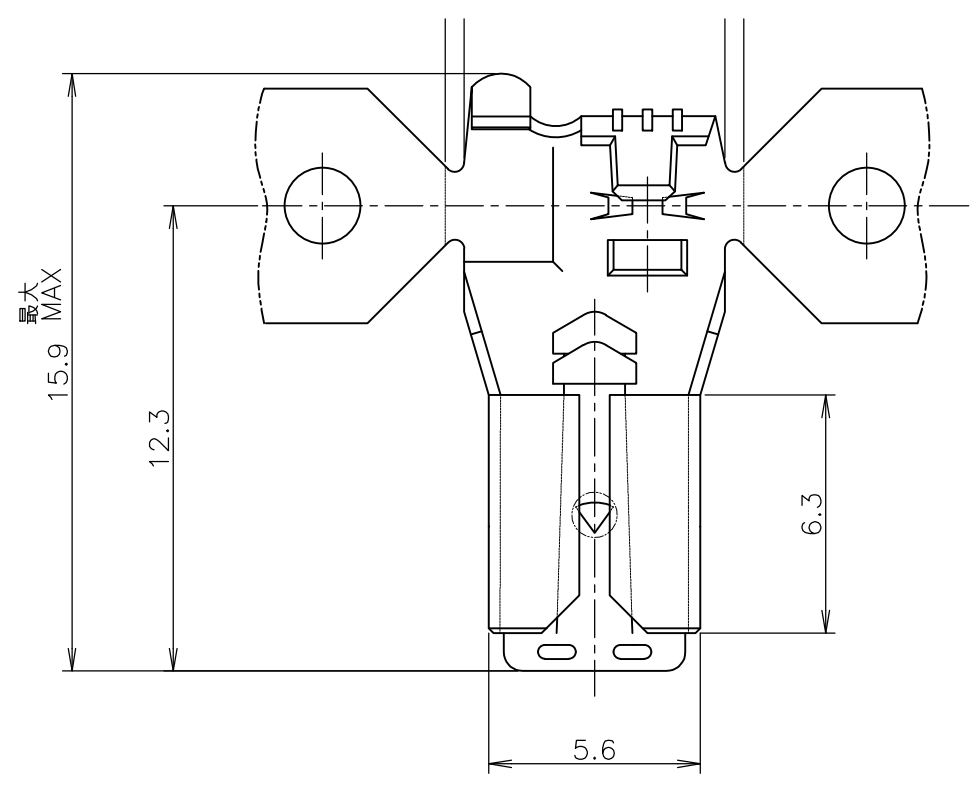
2

1

THIS DRAWING IS UNPUBLISHED. RELEASED FOR PUBLICATION MAR , 2013.
 © COPYRIGHT 2013 By - ALL RIGHTS RESERVED.

LOC	DIST	REVISIONS 変更					
J	/	P	LTR	DESCRIPTION	DATE	DWN	APVD
		A1		REVISED PER ECR-19-018072	02DEC2019	SS	TD

-1; AS SHOWN



- 1 APPLICABLE SLEEVE P/N: 1717269, 178708
- △ OBSOLETE PART
- 1 適用スリーブ型番: 1717269, 178708

PRE TINNED PHOSPHOR BRONZE 0.3t 錫めっき済み燐青銅 0.3t	2232342-2
PRE TINNED BRASS 0.3t 錫めっき済み黄銅 0.3t	2232342-1
MATERIAL 材質	P/N 型番
WIRE RANGE 抱合電線断面積	AWG #22-#16 0.3~1.42 mm ²
INSULATION DIA 被覆外径	1.5~4.32 mm ϕ



NAME 名称		187 SERIES FLAG POSITIVE LOCK-EX REC. 187 シリーズ・旗型・ポジティブロック EX リセブタクル	
SIZE	CAGE CODE	DRAWING NO 番号	RESTRICTED TO
A3	00779	C-2232342	-
CUSTOMER DRAWING		SCALE 尺度	SHEET 1 OF 1
		5:1	REV A1

THIS DRAWING IS A CONTROLLED DOCUMENT.		DWN B.P	06MAR2013
		CHK F.M	06MAR2013
		APVD YH.M	06MAR2013
DIMENSIONS: 単位: 耗 mm		TOLERANCES UNLESS OTHERWISE SPECIFIED: 一般公差	
		0 PLC	±
		1 PLC	±
		2 PLC	±
		3 PLC	±
MATERIAL 材料		FINISH 仕上	
表参照 SEE TABLE			

GENERAL TOLERANCE 一般公差
10 ≥ : ±0.2
30 ≥ > 10: ±0.25
100 ≥ > 30: ±0.3
ANGLES: ±3°