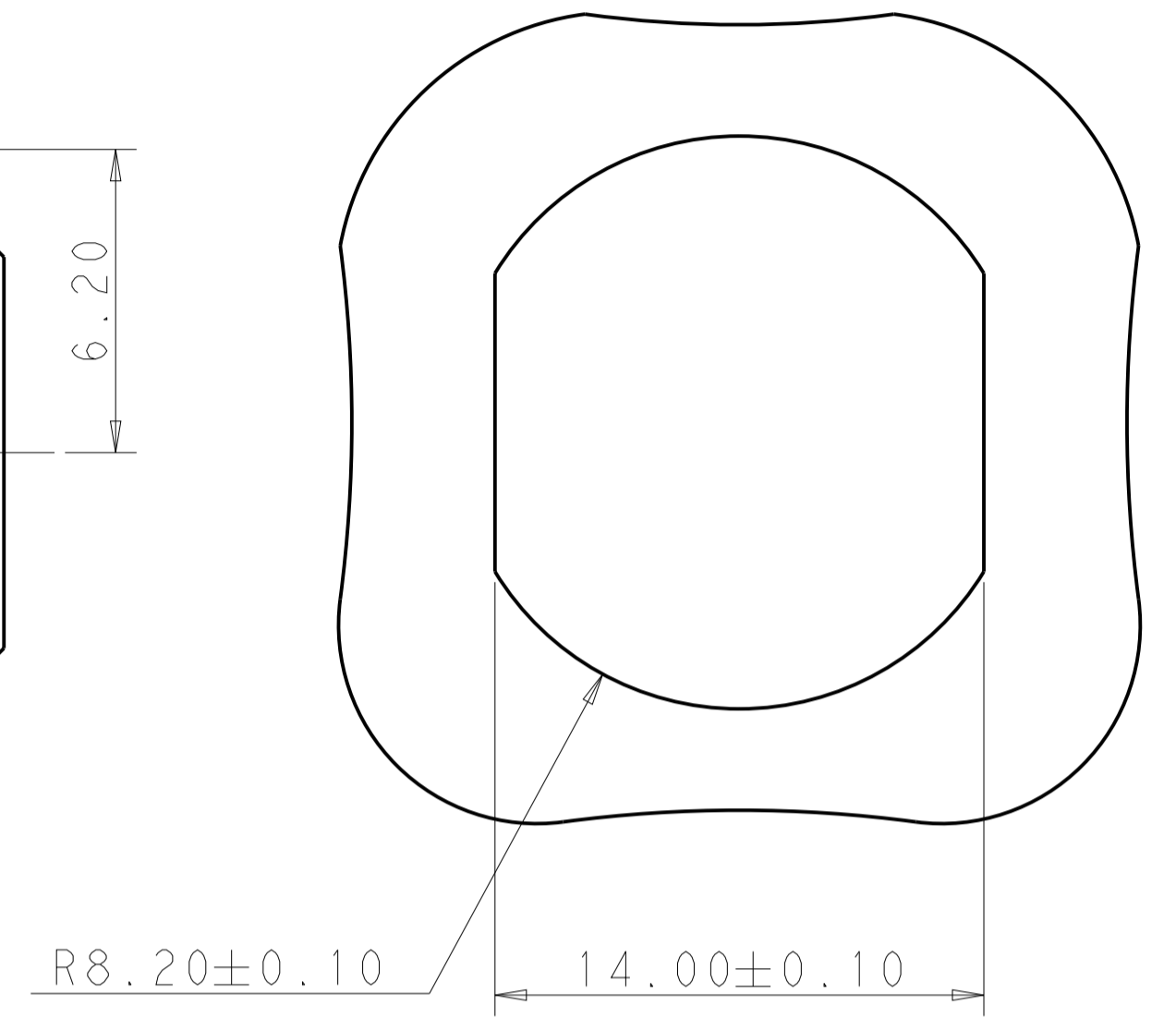
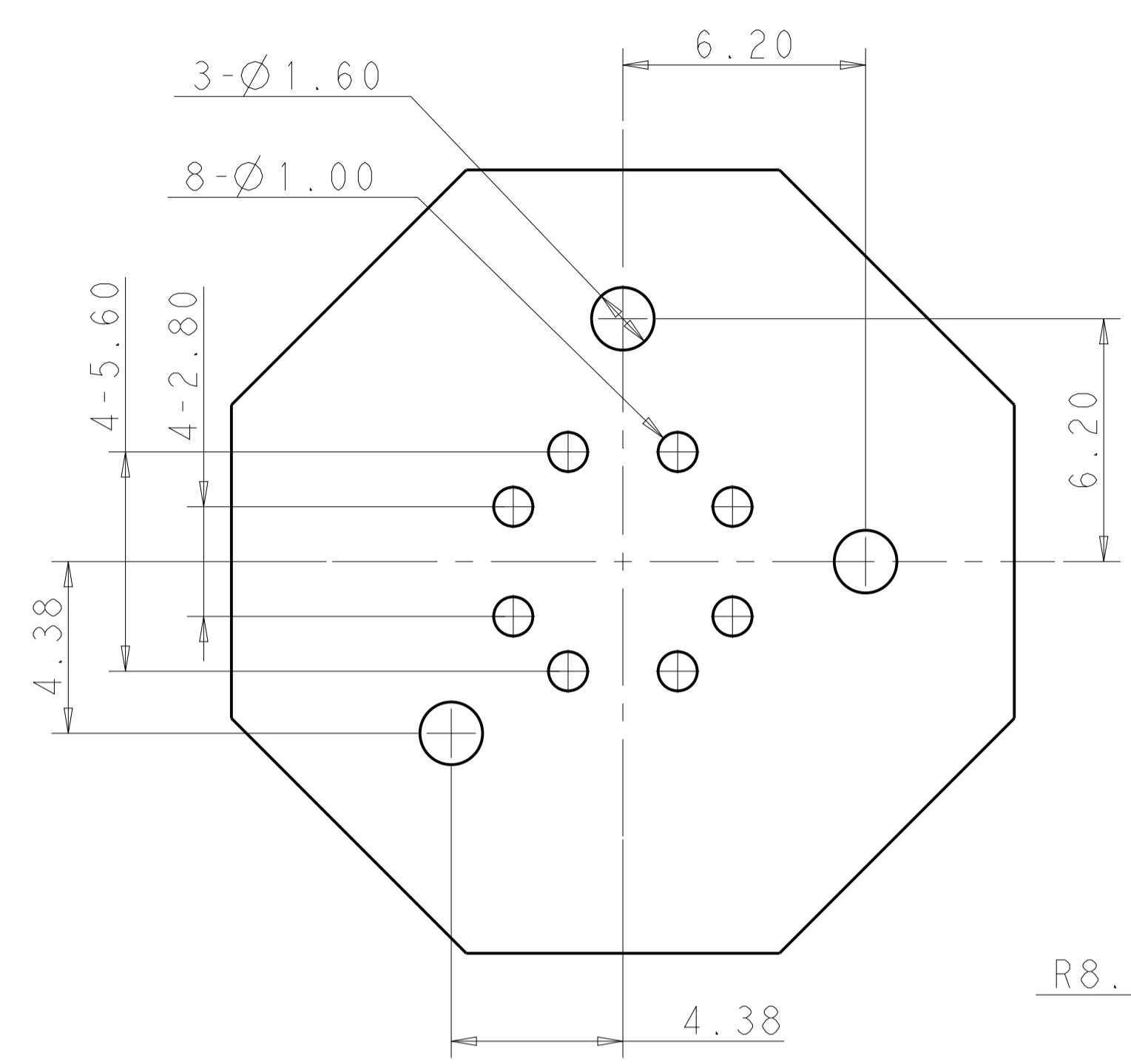
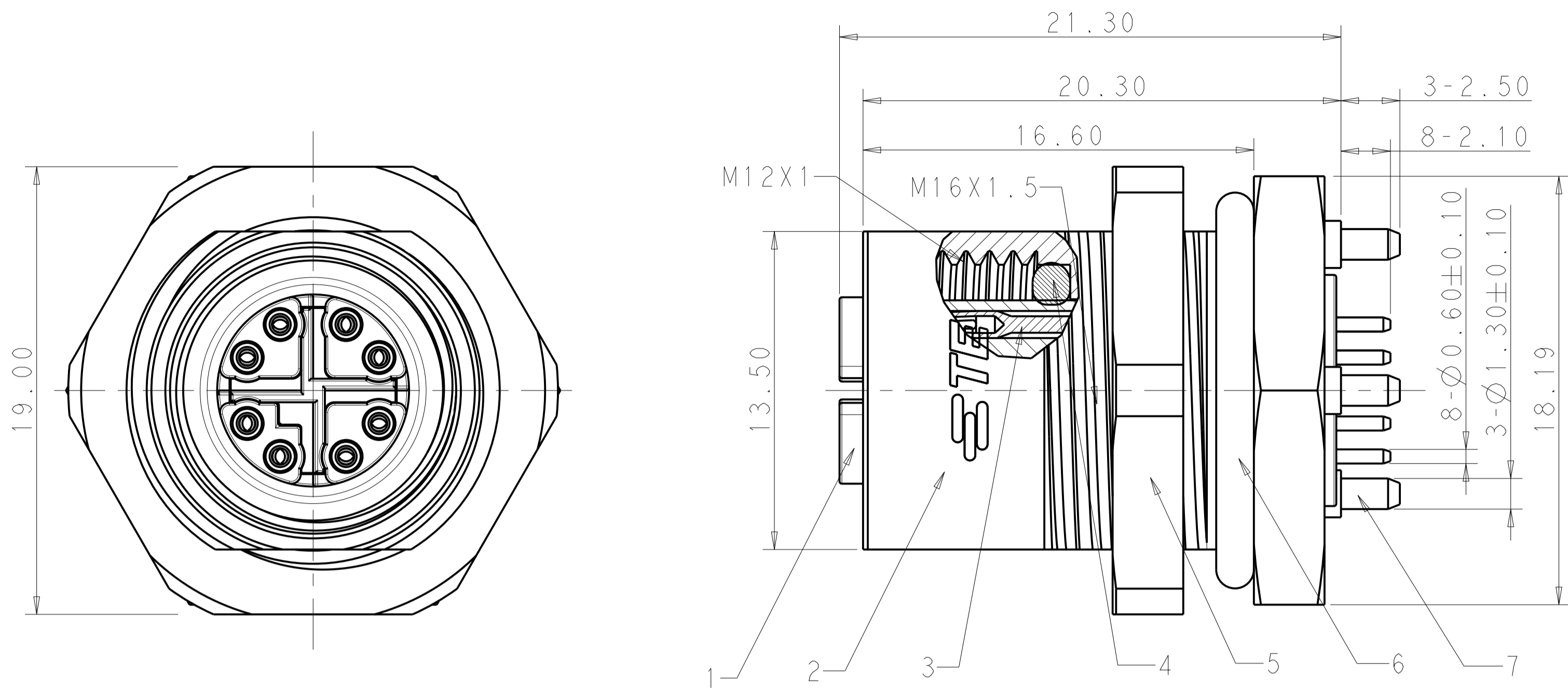


REVISONS		DATE	DWN	APVD
A2	OFFICIAL INITIAL RELEASE	14-Jan-14	K. Z	X. X
A3	UPDATE DOCUMENT STATUS	30JUN2014	H. W	X. X
A4	ECR-20-011071 TEMPURATURE UPDATE	11AUG2020	S. C	C. W
B	PER ECR-21-102523	21MAY2021	G. W	C. W



SPCIFICATION:

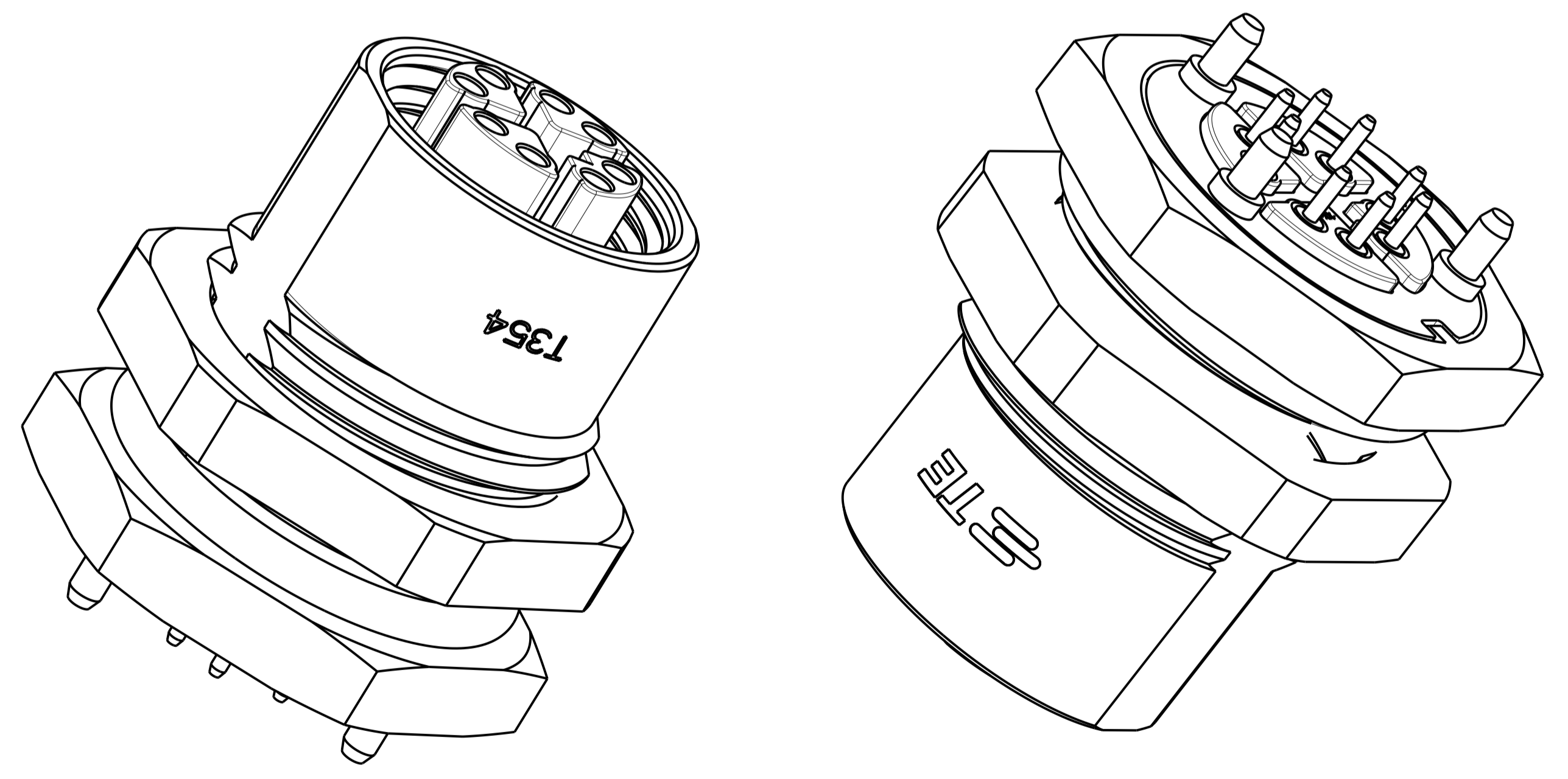
1. M12 CAT6 $\alpha$  8P RECEPTACLE REAR MOUNT SHIELDED TYPE.
2. RATING VOLTAGE: 48V, RATING CURRENT: 0.5A.
3. CONTACT RESISTANT: 5 mOhm MAX.
4. INSULATION WITHSTAND: 100 MOhm MIN.
5. PROTECTION: IP67.
6. TEMPERATURE RANGE: -25°~+85°.
7. TRANSMISSION CHARACTERISTICS: CAT6 $\alpha$ .
8. RECOMMENDED PCB THICKNESS: 1.60±0.13MM
9. PACKAGE: 40PCS/TRAY, 10TRAYS/BOX(TOTAL 400PCS)
10. RECOMMENDED SOLDER PROCESS: WAVE SOLDER WITH 260°C PEAK TEMP.

规格:

1. M12 CAT6 $\alpha$  8针 板后屏蔽型母座.
2. 额定电压: 48V, 额定电流: 0.5A
3. 接触阻抗: 5 mOhm MAX.,
4. 绝缘阻抗: 100MOhm MIN.
5. 保护等级: IP67
6. 温度范围: -25°~+85°.
7. 传输特性: CAT6 $\alpha$
8. 推荐PCB厚度: 1.60±0.13MM
9. 包装规范: 40PCS/TRAY, 10TRAYS/箱(共400pcs产品)
10. 推荐焊接工艺: 波峰焊260°C峰值温度

RECOMMENDED PCB LAYOUT  
DEFAULT TOLERANCE: ±0.05

RECOMMENDED PANEL HOLE SIZE  
4.5mm MAX PANEL THICKNESS



ITEM	DESCRIPTION	MATERIAL	FINISH/COLOR
1	INSERT HOUSING	PA	BLACK
2	COUPLING SHEATH	ZINC ALUMINUM ALLOY	NICKEL OVER COPPER
3	SOCKET CONTACT	COPPER ALLOY	GOLD OVER NICKEL
4	SEALER RING	LSR	BLACK
5	HEXAGONAL	COPPER ALLOY	NICKEL OVERALL
6	SEALER RING	LSR	BLACK
7	CROSS SHIELDED	ZINC ALUMINUM ALLOY	NICKEL OVER COPPER

2232331-1  
PART NO

THIS DRAWING IS A CONTROLLED DOCUMENT. DWN: Hobbay Zhao 21-05-21  
CHK: Kuoqiang Yu 21-05-21

TE Connectivity  
REAR PANEL MOUNT PCB CONNECTOR  
M12 X-CODE

PRODUCT SPEC: 108-137008  
APPLICATION SPEC: 114-137008

SIZE: A1  
CAGE CODE: 2232331  
DRAWING NO: 2232331

Customer Drawing SCALE: 6:1 SHEET: 1 OF 1 REV: B