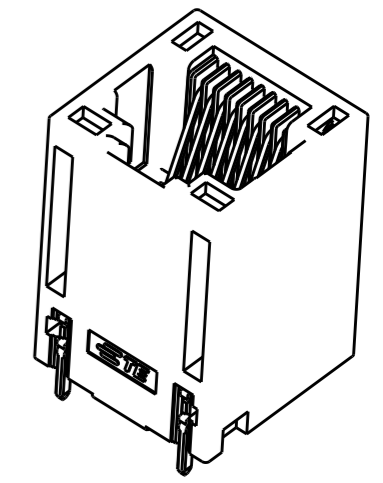
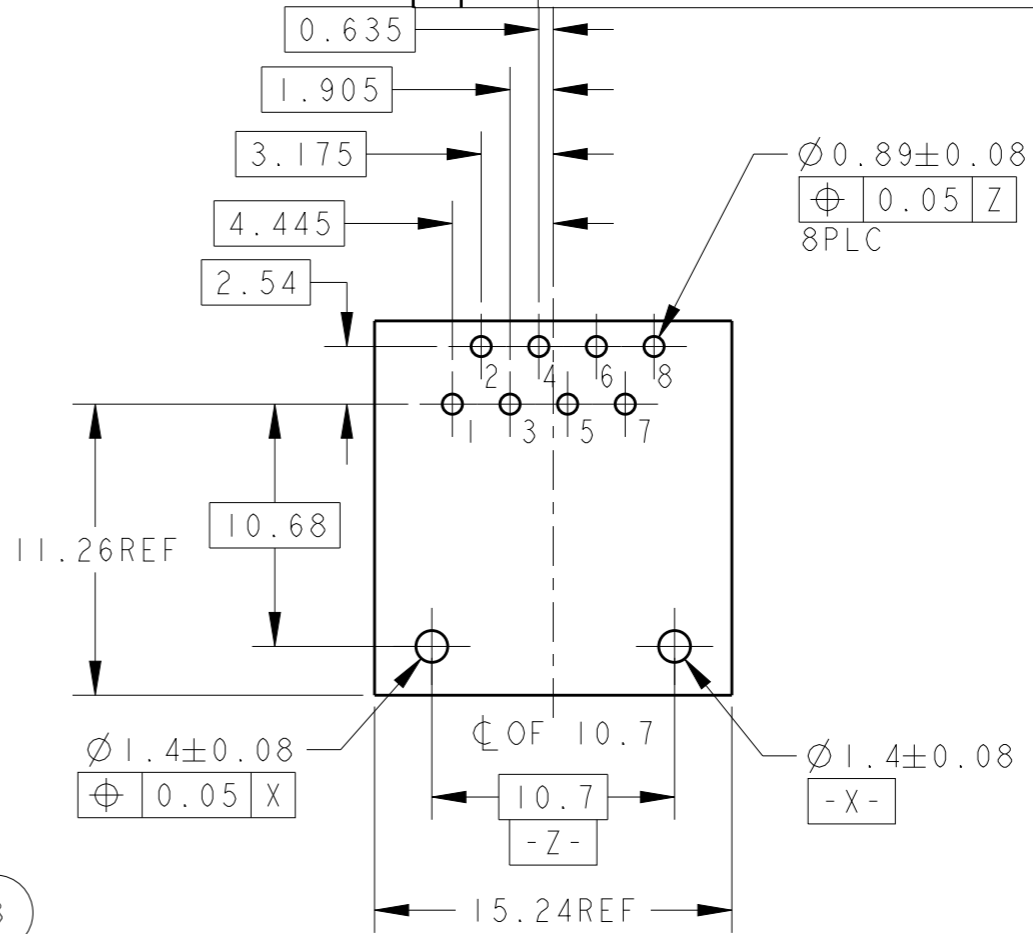
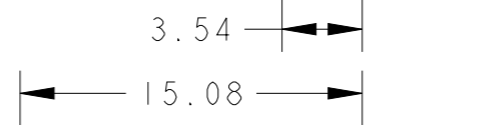
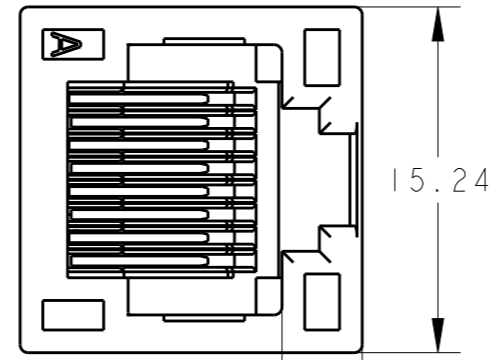
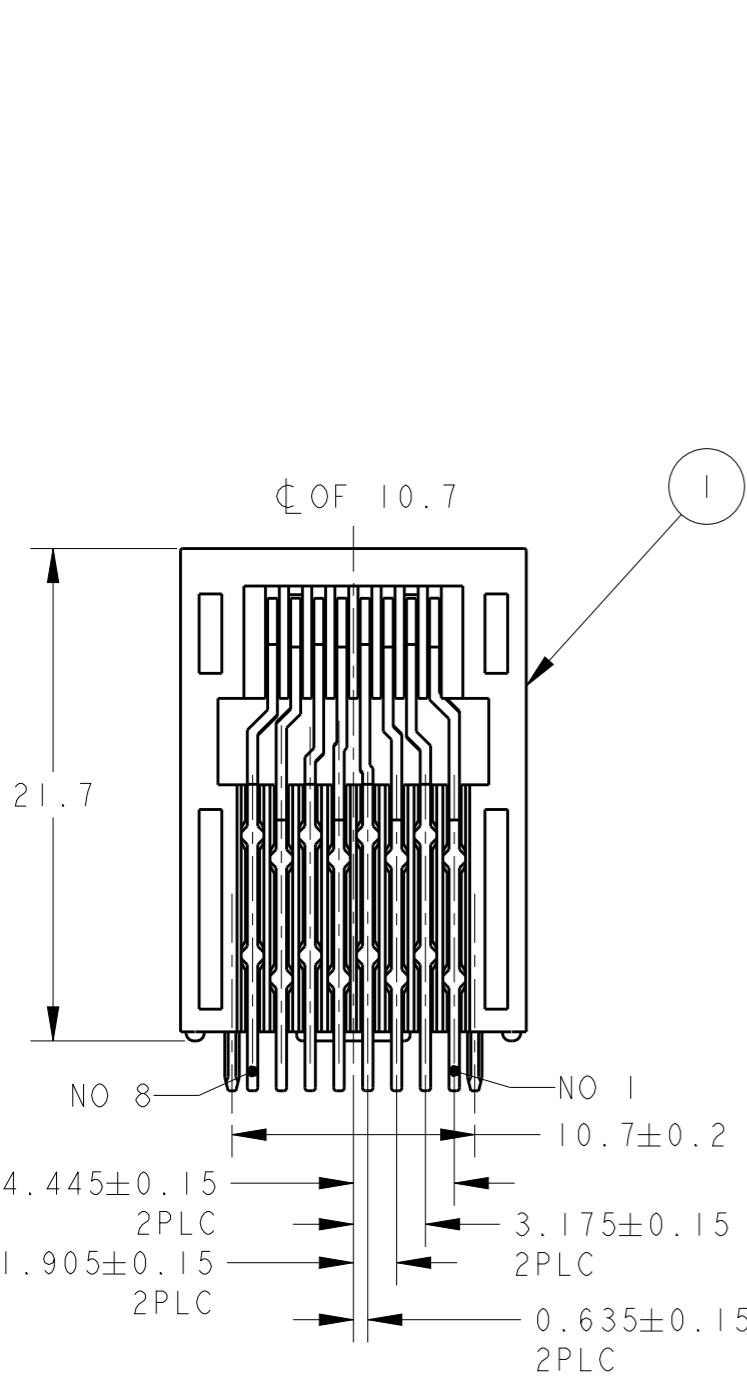
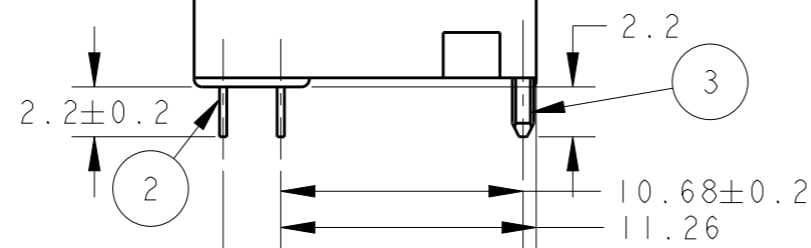


THIS DRAWING IS UNPUBLISHED. RELEASED FOR PUBLICATION XXXXX2011
 © COPYRIGHT 2014 BY Tyco Electronics Japan G.K. ALL RIGHTS RESERVED.

LOC	DIST	REVISIONS					
J	-	P	LTR	DESCRIPTION	DATE	DWN	APVD
		A		RELEASED	28APR2014	T.S	N.Y
		B		REVISED	27JAN2015	T.S	N.Y
		C		REVISED	17FEB2015	T.S	N.Y



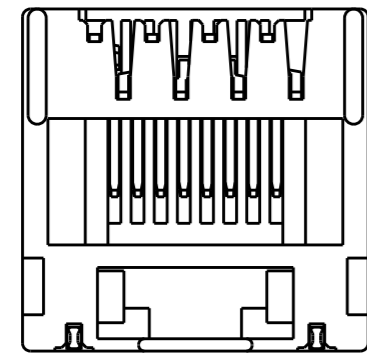
SCALE 2:1



MATERIAL
 HOUSING : LCP BLACK UL94V-0
 TERMINAL: PHOSPHOR BRONZE PLATED WITH
 3.81μm MIN TIN IN SOLDER AREA
 1.27μm MIN GOLD PLATE IN CONTACT AREA
 ALL OVER 1.27μm MIN NICKEL
 PEG: BRASS PLATED WITH
 4μm MIN TIN
 ALL OVER 1.27μm MIN NICKEL

REV	DESCRIPTION	ITEM NO
2	PEG	3
1	TERMINAL (8 POS)	2
1	HOUSING (8 POS)	1
-1	DESCRIPTION	ITEM NO

REFERENCE PCB BOARD LAYOUT
 REFERENCE PCB THICKNESS 1.6mm
 (GENERAL TOLERANCE: ±0.05)



THIS DRAWING IS A CONTROLLED DOCUMENT.		DWN 28APR2014 T. SHIMOYASU		TE Connectivity MOD JACK V-TYPE HEIGHT 21.7mm	
		CHK 28APR2014 M. HARASAWA			
		APVD 28APR2014 N. YAMASAKI		NAME 名称	
DIMENSIONS: 単位: 概 mm		TOLERANCES UNLESS OTHERWISE SPECIFIED:		PRODUCT SPEC 製品規格	
		一般公差 ±0.3		108-78979	
		0 PLC ±0.5		APPLICATION SPEC 取付適用規格	
		1 PLC ±0.1		WEIGHT -	
		2 PLC ±0.01		SIZE A3	
		3 PLC ±0.005		CAGE CODE 00779	
		4 PLC ±0.002		DRAWING NO C-2229093	
		ANGLES ±3°		RESTRICTED TO -	
MATERIAL 材料		FINISH 仕上		SCALE 尺度 3:1	
				SHEET 1 OF 1	
				REV C	
		Customer Drawing			