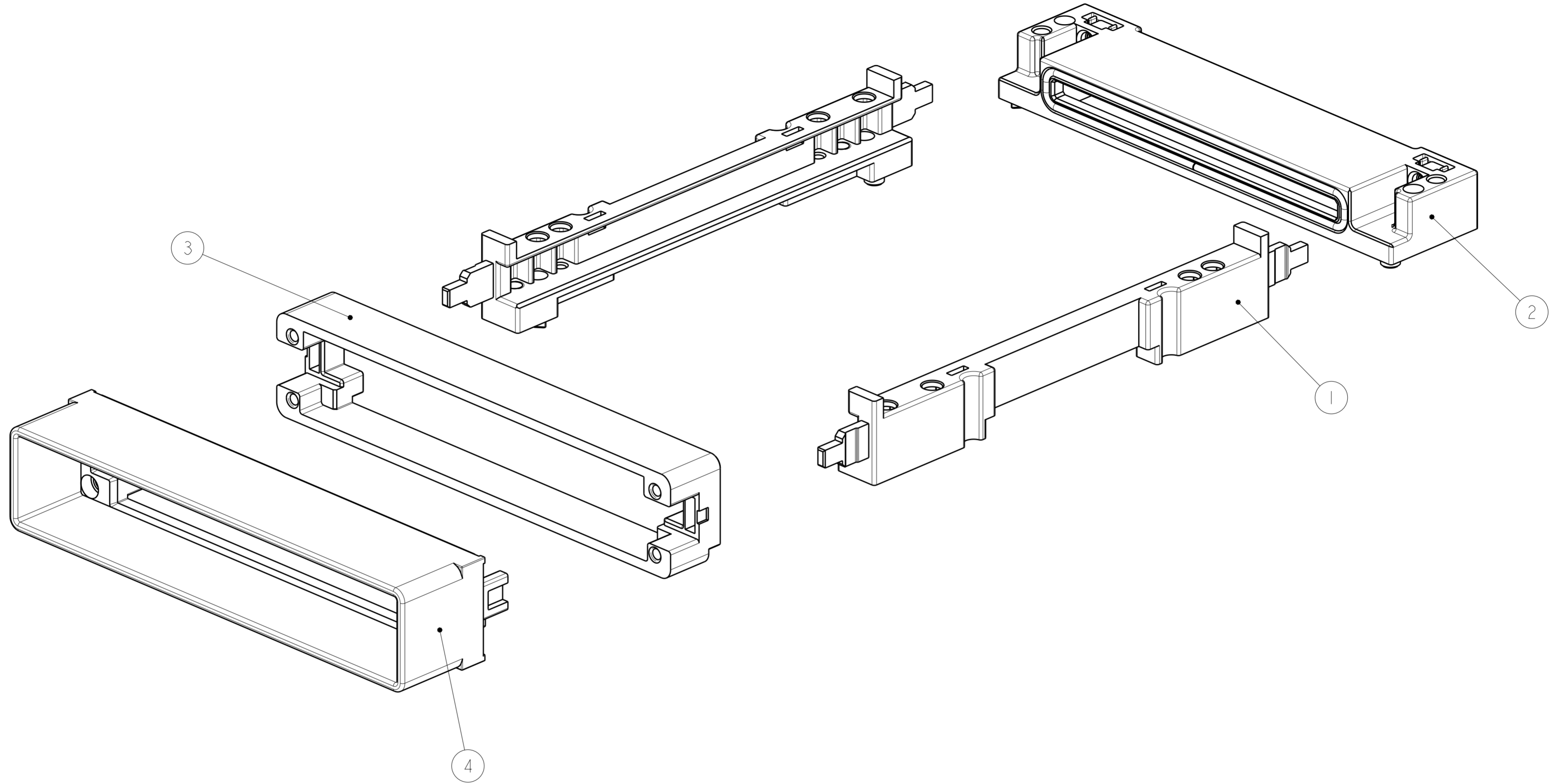


THIS DRAWING IS UNPUBLISHED. RELEASED FOR PUBLICATION 20  
 © COPYRIGHT 20 BY - ALL RIGHTS RESERVED.

LOC	DIST	REVISIONS					
GP	00	P	LTR	DESCRIPTION	DATE	DWN	APVD
		A		RELEASED PER ECO-13-005370	01APR2013	CJV	MRS
		AI		REVISED PER ECO-19-001697	18FEB2019	IT	SH

I. BULK PACKED



1	2057626-1	EXTERNAL BRACKET ASSEMBLY	4
1	2057928-3	BACKER PLATE ASSEMBLY	3
1	2057631-1	CONNECTOR COVER ASSEMBLY	2
2	2057592-2	GUIDE RAIL	1
-1	PART NUMBER	DESCRIPTION	ITEM NO

THIS DRAWING IS A CONTROLLED DOCUMENT. DIMENSIONING AND TOLERANCING PER ASME Y14.5M-2009		DWN B. MATTHEWS 03JAN2013	<b>STE</b> TE Connectivity	
DIMENSIONS: mm		CHK M. SCHMITT 03JAN2013		
TOLERANCES UNLESS OTHERWISE SPECIFIED:		APVD M. SCHMITT 03JAN2013	NAME HARDWARE KIT, CFP, NO HEATSINK	
0 PLC ± 1 PLC ± 2 PLC ± 3 PLC ± 4 PLC ± ANGLES ± FINISH		PRODUCT SPEC 108-2399	RESTRICTED TO	
MATERIAL		APPLICATION SPEC 114-13263	SIZE A200779	CAGE CODE C-2227675
-		WEIGHT -	DRAWING NO C-2227675	
-		CUSTOMER DRAWING	SCALE 2:1	SHEET 1 OF 1