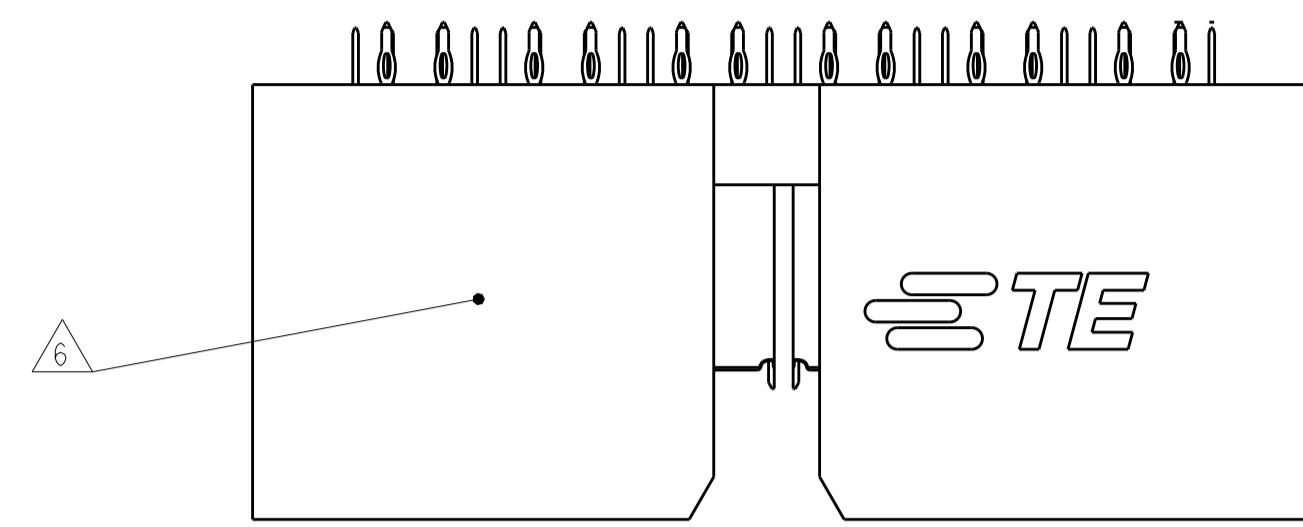
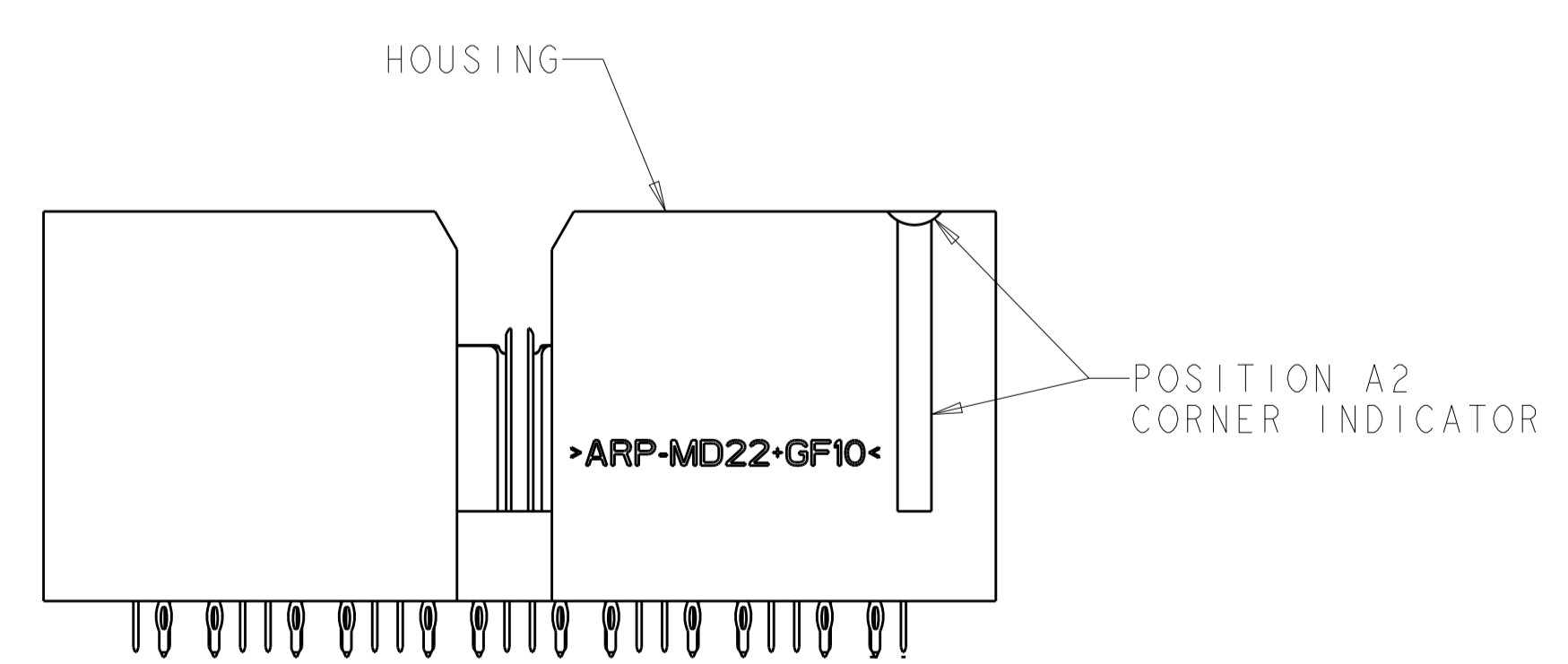
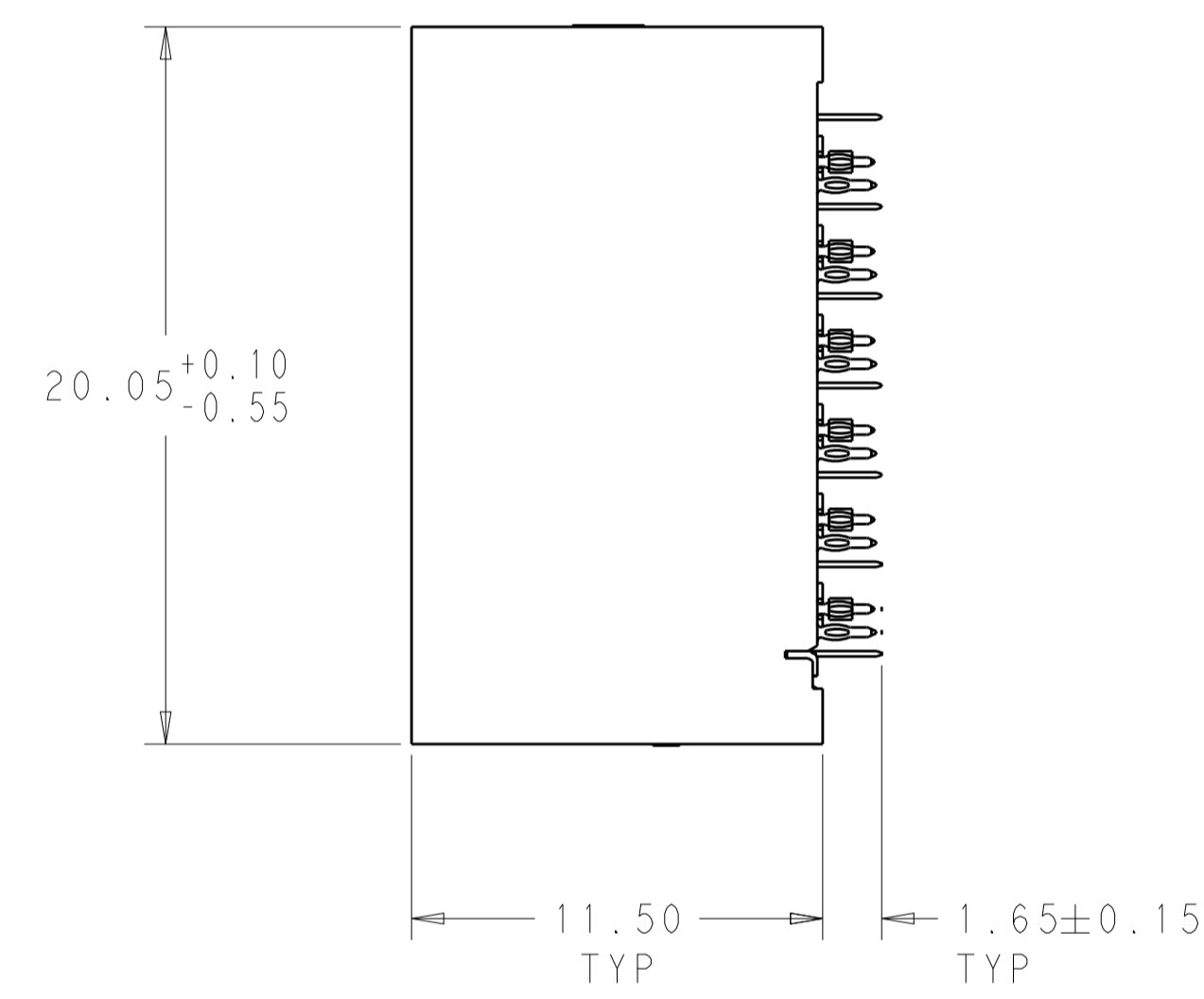
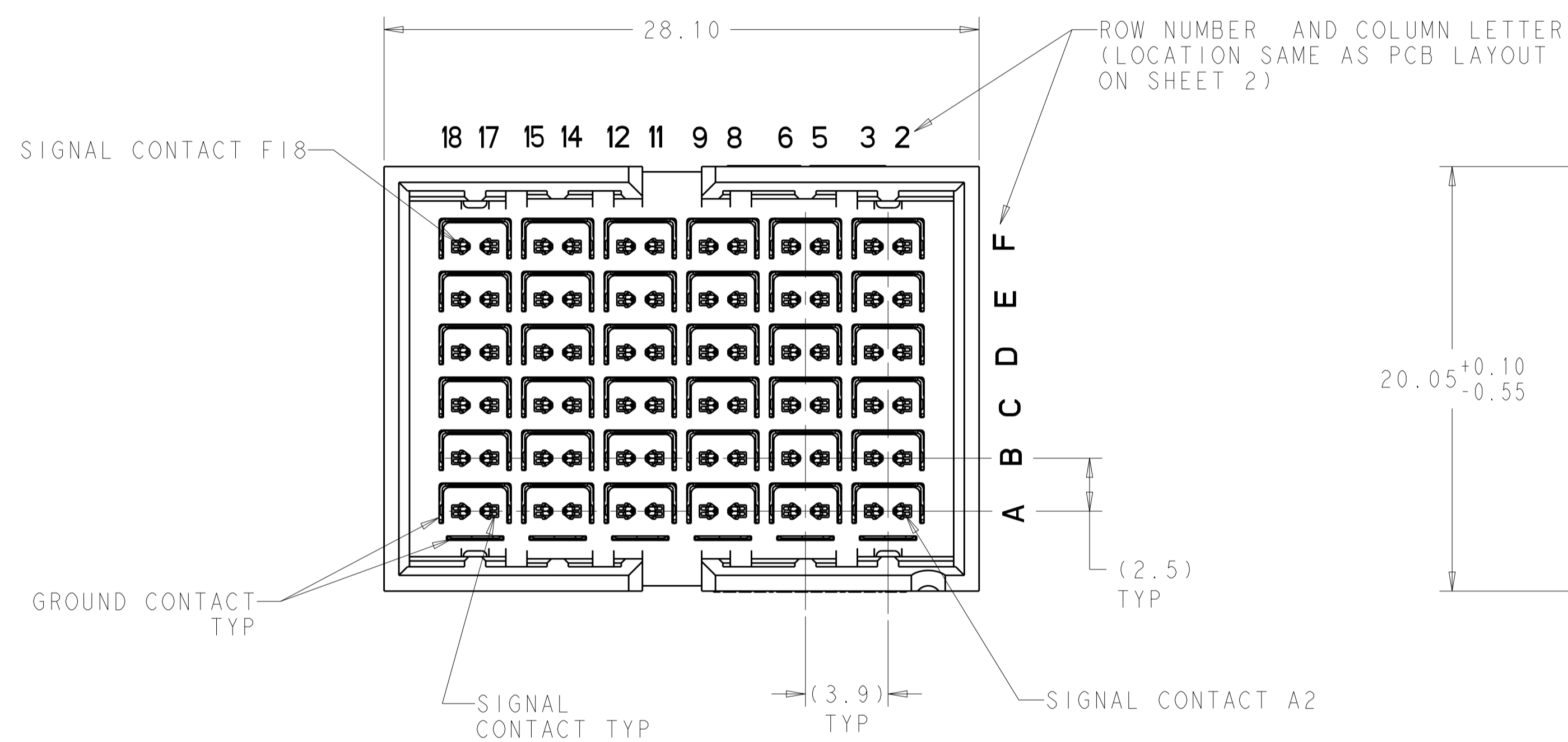


LOC		DIST		REVISIONS			
GP	00	P	LTN	DESCRIPTION	DATE	DWN	APVD
		A		RELEASED	09MAY2016	Y. K	D. T



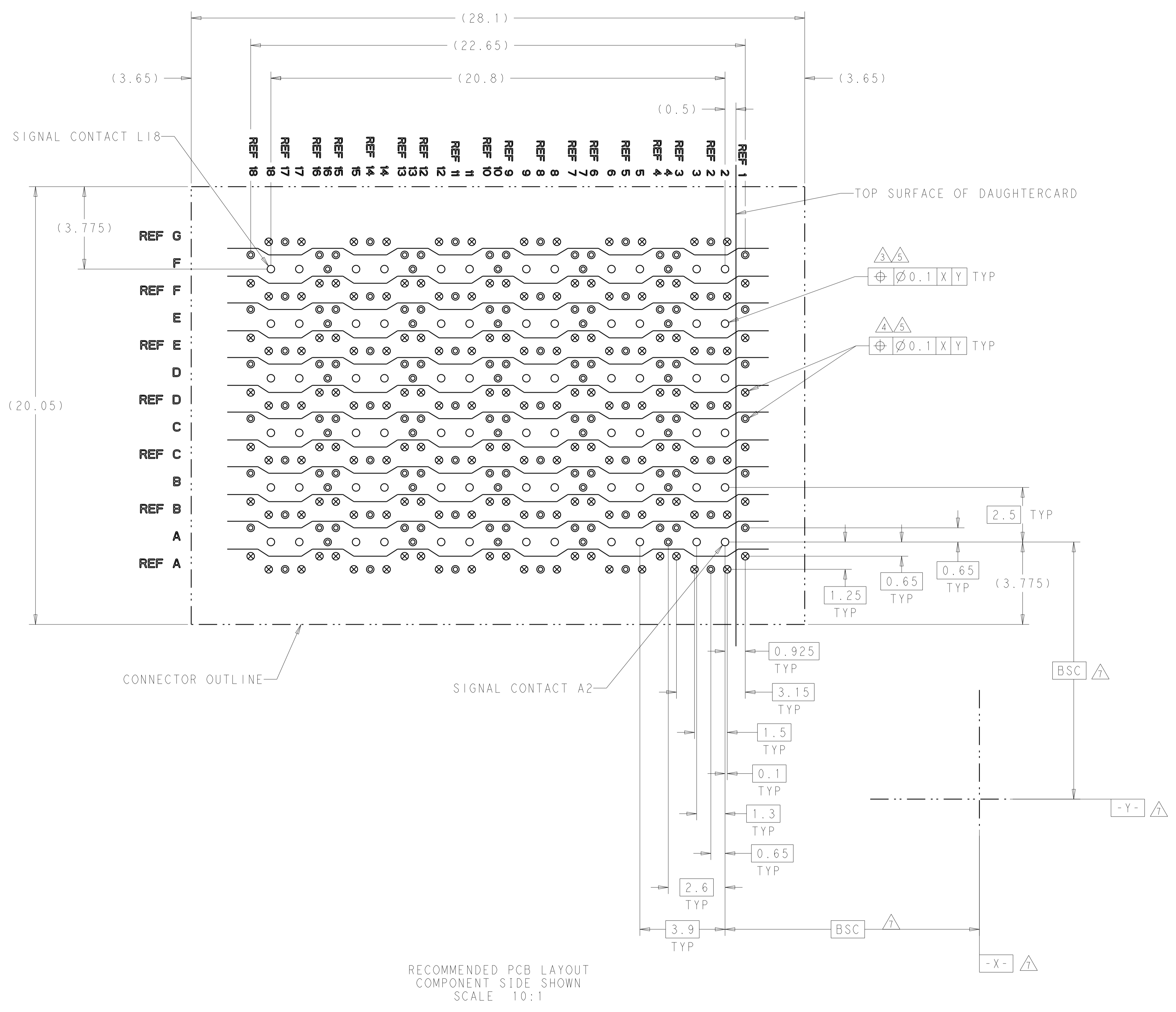
- △ HOUSING: THERMOPLASTIC, UL 94V-0, BLACK.
CONTACTS: COPPER ALLOY.
- △ CONFORMS TO REQUIREMENTS OF TE PRODUCT SPECIFICATION 108-3201 BASED ON TELCORDIA GR-1217-CORE FOR SYSTEM QUALITY LEVEL III APPLICATIONS IN CONTROLLED ENVIRONMENTS (CENTRAL OFFICE).
- △ PLATED THRU HOLE REQUIREMENTS - SIGNAL:
FINISHED HOLE = $\varnothing 0.34 \pm 0.05$
DRILLED HOLE = $\varnothing 0.420 \pm 0.025$
COPPER THICKNESS = 0.025 MIN
IMMERSION TIN IF APPLICABLE = (0.00095)
- △ PLATED THRU HOLE REQUIREMENTS - GROUND AND SI VIA:
FINISHED HOLE = $\varnothing 0.37 \pm 0.05$
DRILLED HOLE = $\varnothing 0.450 \pm 0.025$
COPPER THICKNESS = 0.025 MIN
IMMERSION TIN IF APPLICABLE = (0.00095)
- △ PLATED THRU HOLE DIMENSIONS APPLY TO 1.25mm DEPTH FROM MOUNT SIDE OF BOARD.
- △ CONNECTOR MARKED WITH PART NUMBER, DATE CODE, AND "100 OHM" IN APPROXIMATE AREA SHOWN.
- △ DATUMS AND BASIC DIMENSIONS ESTABLISHED BY CUSTOMER.



TIN	2227091-1
PRESS-FIT TAIL PLATING	PART NUMBER

THIS DRAWING IS A CONTROLLED DOCUMENT.		DWN Y. KODAIRA 09MAY2016	
DIMENSIONS:		CHK D. TROUT 09MAY2016	
mm	0 PLC ± 1 PLC ±0.5 2 PLC ±0.10 3 PLC ± 4 PLC ± ANGLES ±	APVD D. TROUT 09MAY2016	NAME HEATER ASSEMBLY, 6 PAIR 6 COLUMN, 100 OHM PiC, STRADA WHISPER
TOLERANCES UNLESS OTHERWISE SPECIFIED:		PRODUCT SPEC	SIZE A1
MATERIAL		APPLICATION SPEC	CAGE CODE 100779
FINISH		114-32029	DRAWING NO C=2227091
SEE TABLE		WEIGHT	RESTRICTED TO
CUSTOMER DRAWING		SCALE 5:1	SHEET 1 OF 4
		REV A	

LOC	DIST	REVISIONS					
GP	00	P	LTN	DESCRIPTION	DATE	DWN	APVD
		-		SEE SHEET 1			

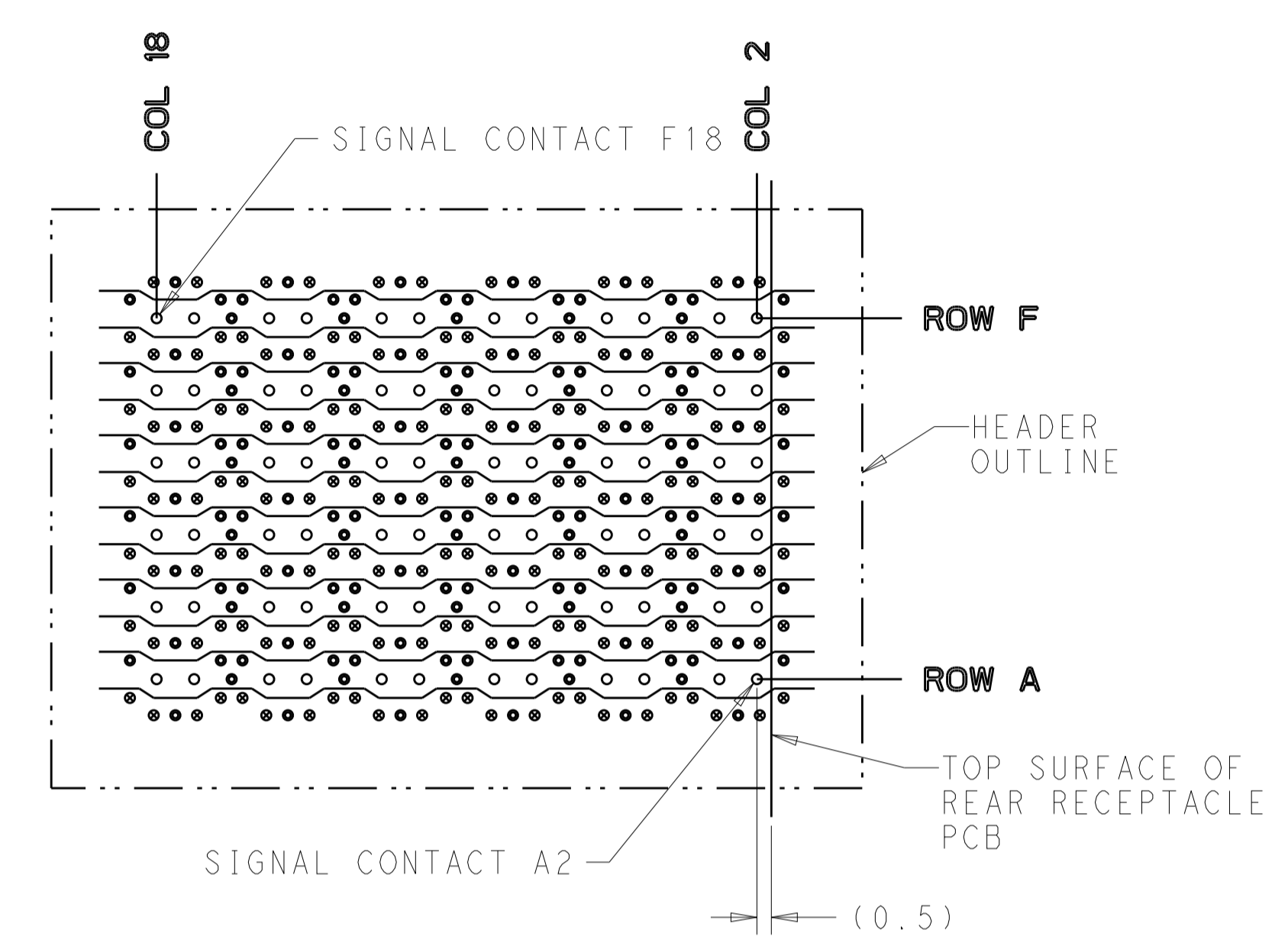
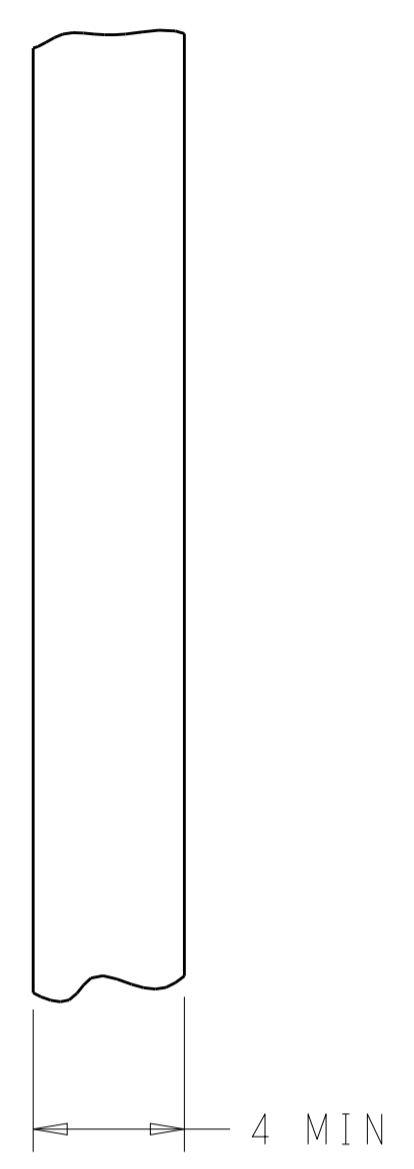
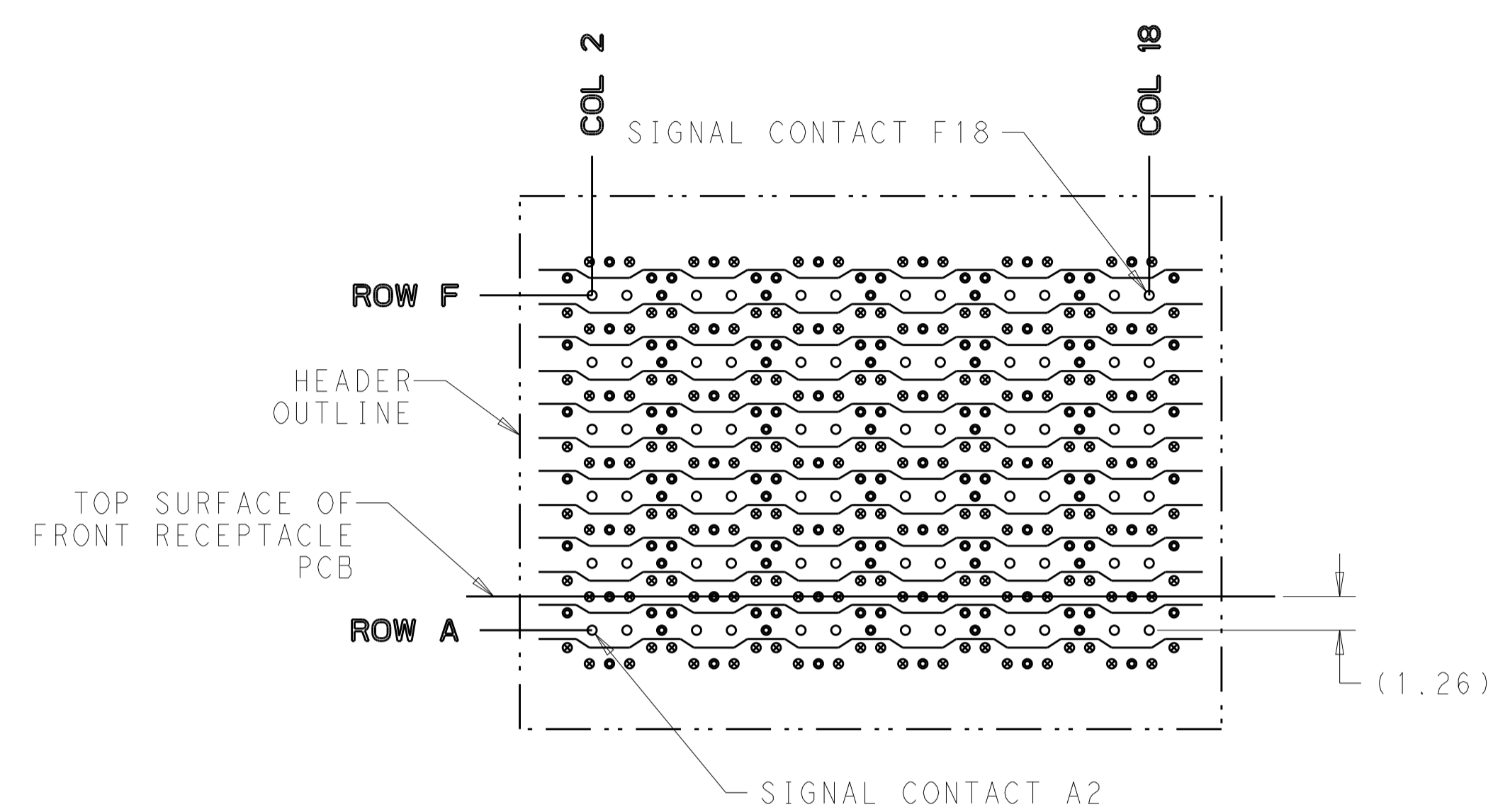


RECOMMENDED PCB LAYOUT
 COMPONENT SIDE SHOWN
 SCALE 10:1

○ = SIGNAL
 ⊗ = GROUND
 ⊙ = SIGNAL INTEGRITY VIA TO GROUND

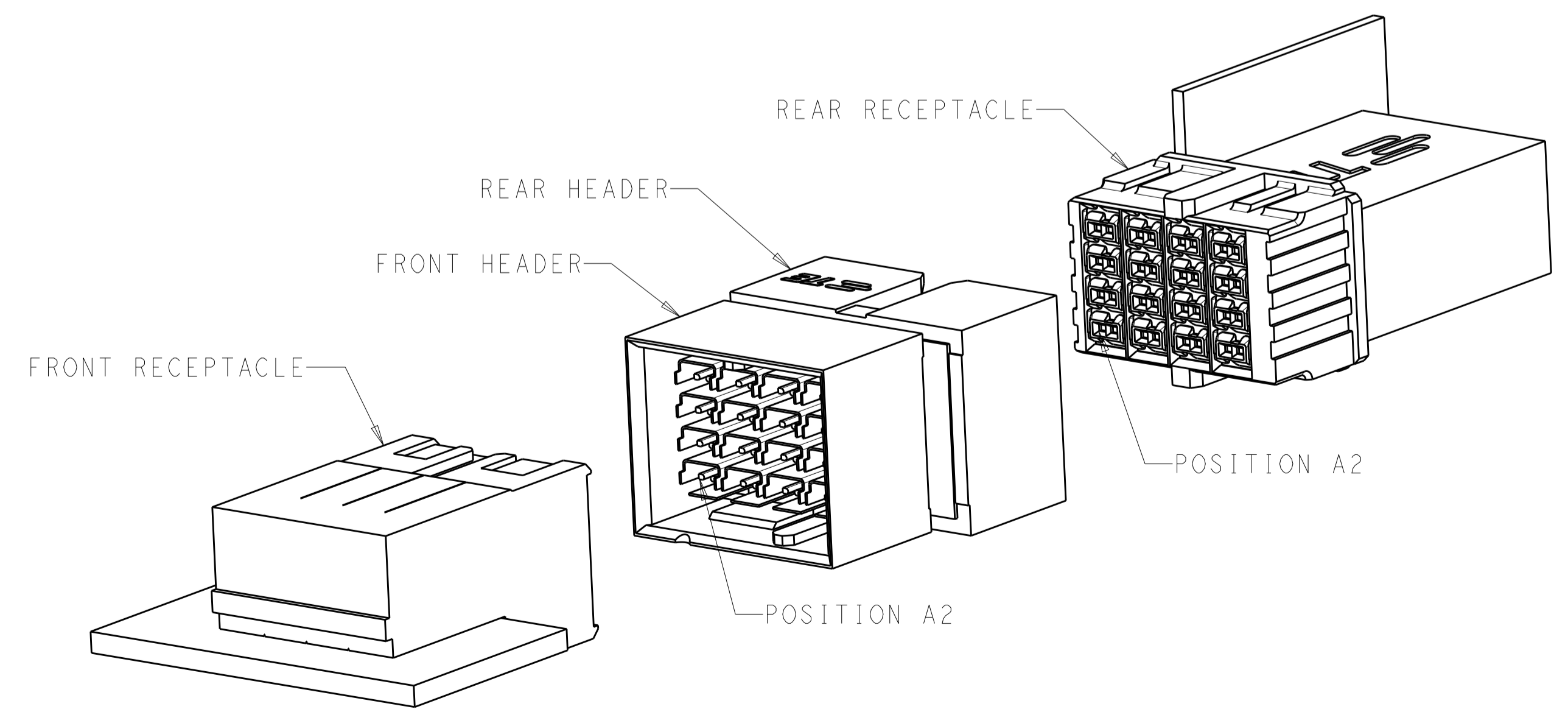
THIS DRAWING IS A CONTROLLED DOCUMENT.		DWN	TE Connectivity	
DIMENSIONS:		CHK		
mm	0 PLC ± 1 PLC ±0.10 2 PLC ± 3 PLC ± 4 PLC ± ANGLES ±	APVD	NAME HEADER ASSEMBLY, 6 PAIR 6 COLUMN, 100 OHM PiC, STRADA WHISPER	
TOLERANCES UNLESS OTHERWISE SPECIFIED:		PRODUCT SPEC	SIZE CAGE CODE DRAWING NO RESTRICTED TO	
FINISH SEE TABLE		APPLICATION SPEC	A100779C=2227091	
MATERIAL		WEIGHT	CUSTOMER DRAWING SCALE 5:1 SHEET 2 OF 4 REV A	

LOC		DIST		REVISONS			
GP	00	P	LYR	DESCRIPTION	DATE	OWN	APVD
		-		SEE SHEET 1			



FRONT VIEW OF MIDPLANE
 (HEADER ROW AND COLUMN DESIGNATIONS SHOWN)

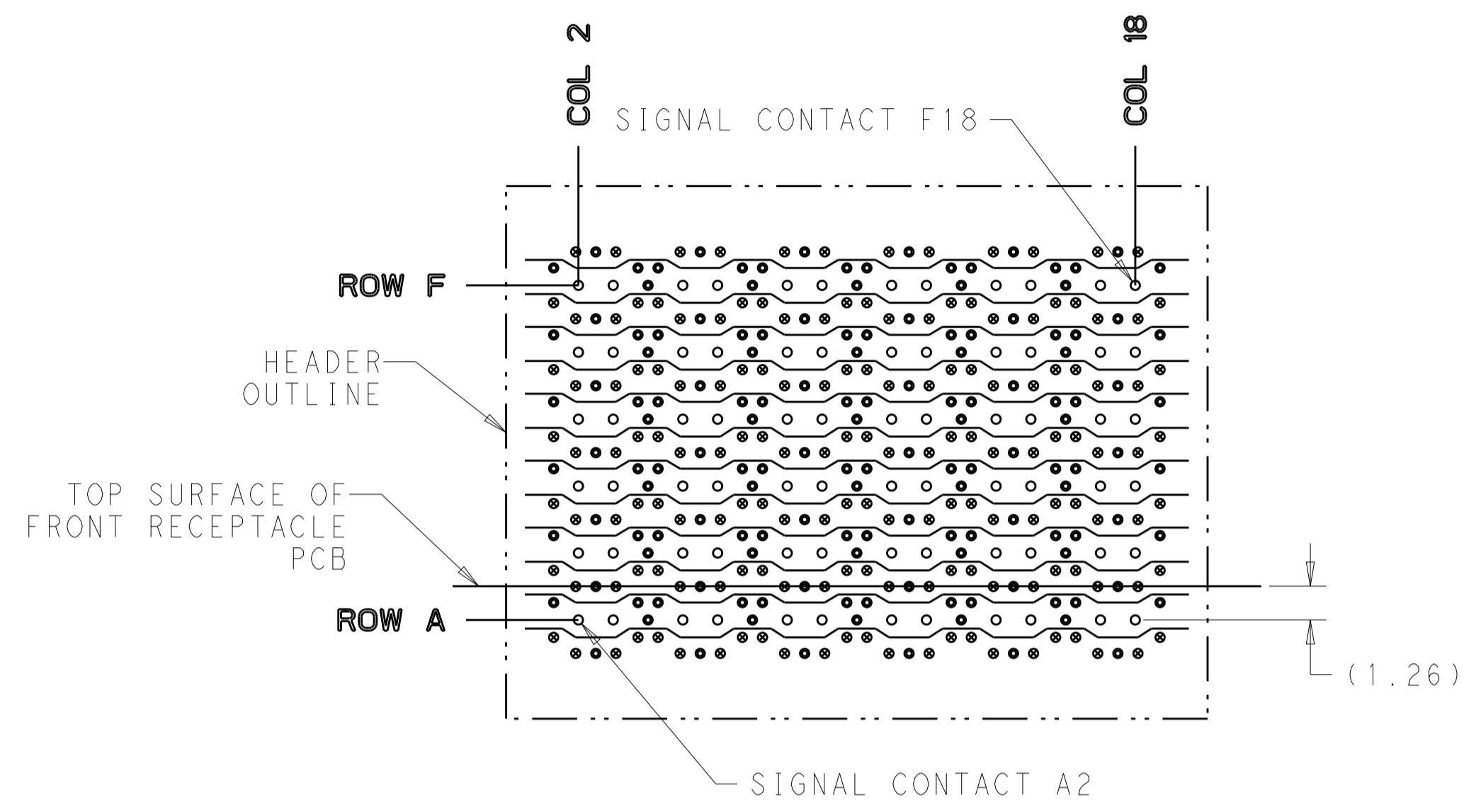
REAR VIEW OF MIDPLANE
 (HEADER ROW AND COLUMN DESIGNATIONS SHOWN)



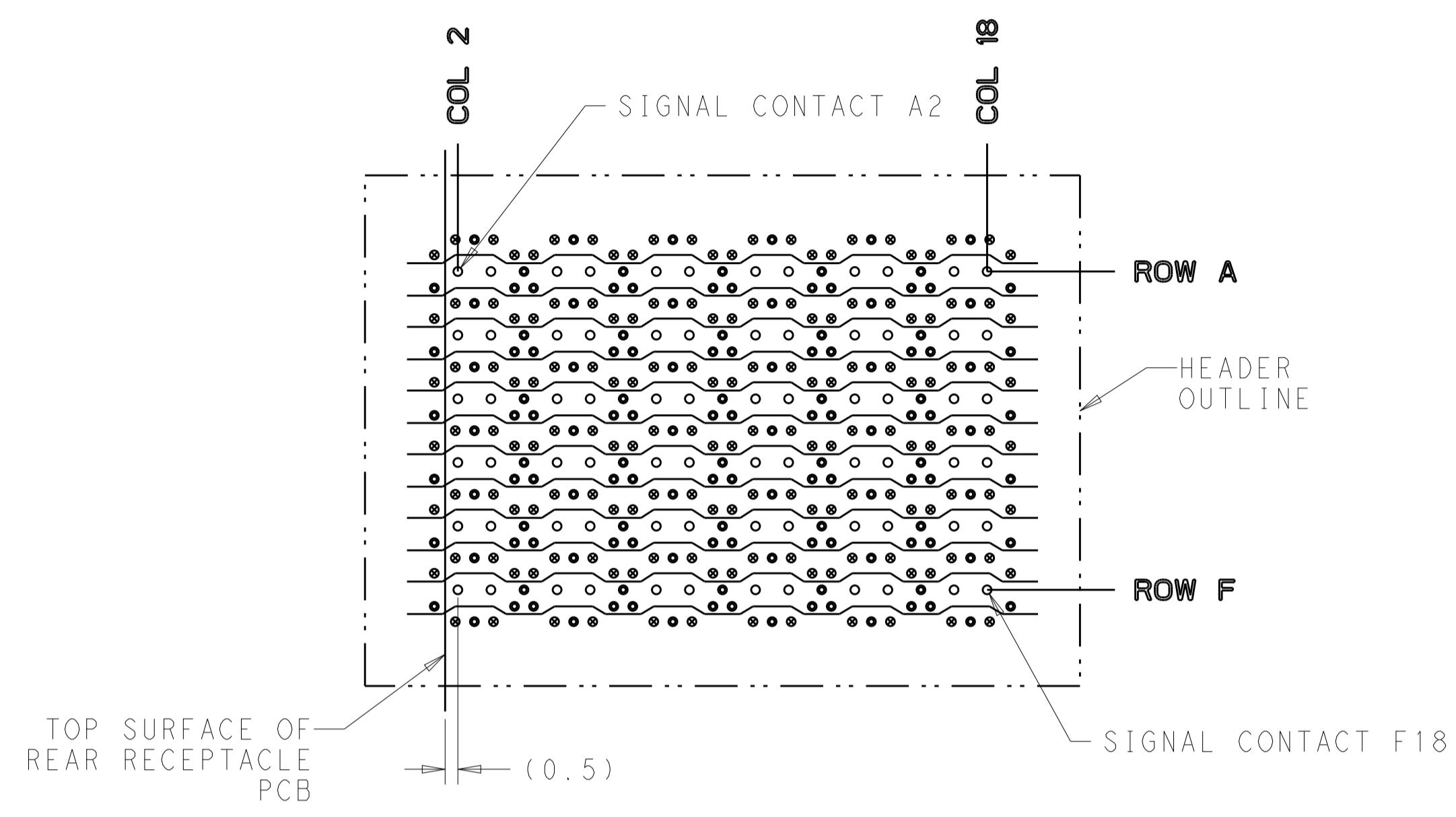
MATING SCHEMATIC FOR THROUGH ROUTING
 (MIDPLANE NOT SHOWN FOR CLARITY)
 SCALE 3:1

THIS DRAWING IS A CONTROLLED DOCUMENT.		OWN		
DIMENSIONS:		CHK		
mm	0 PLC ±	APVD	NAME	HEADER ASSEMBLY, 6 PAIR 6 COLUMN, 100 OHM PiC, STRADA WHISPER
	1 PLC ±0.10	PRODUCT SPEC	SIZE	A1
	2 PLC ±	APPLICATION SPEC	CAGE CODE	100779
MATERIAL	3 PLC ±	WEIGHT	DRAWING NO	2227091
	4 PLC ±	CUSTOMER DRAWING	SCALE	5:1
	ANGLES		SHEET	3 OF 4
	FINISH		REV	A

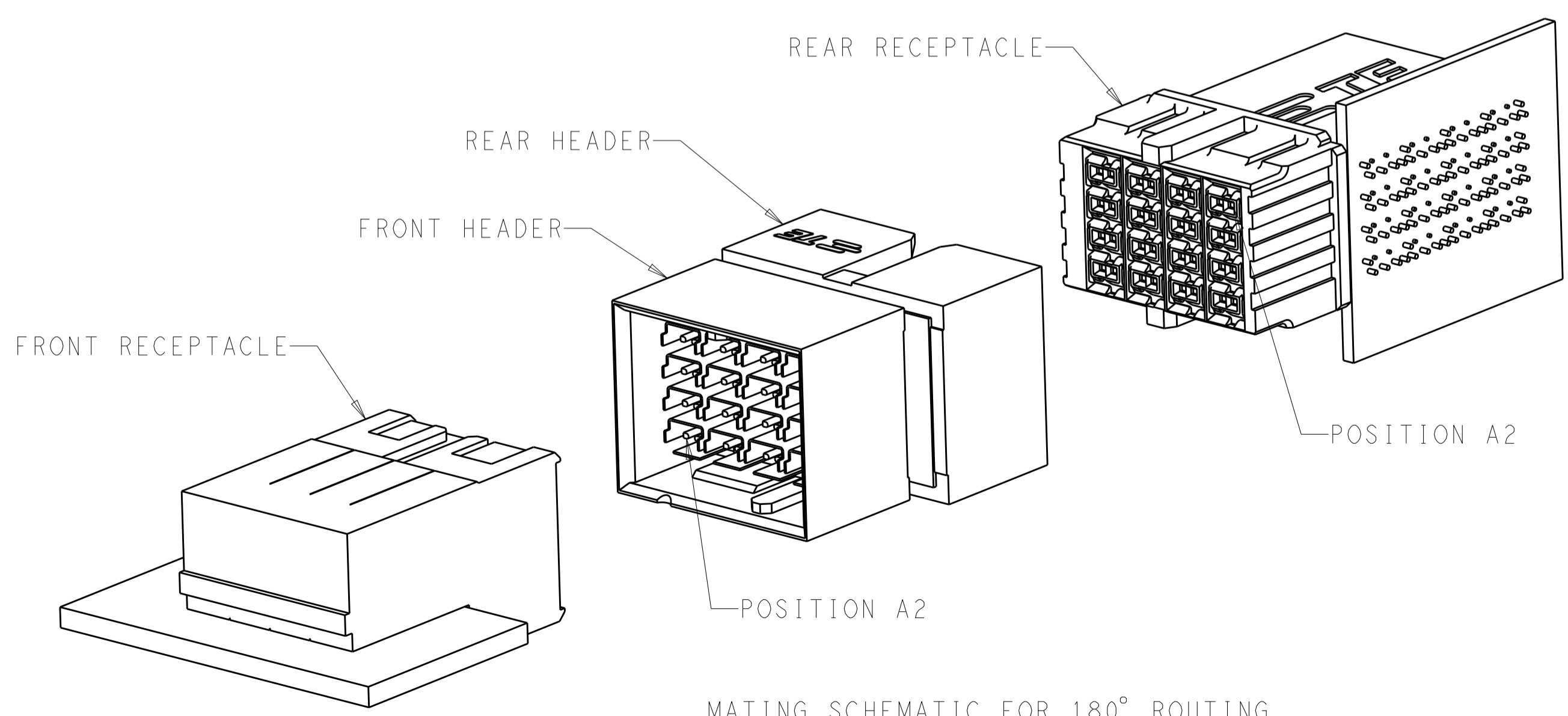
LOC	DIST	REV	DATE	BY	APPV
GP	00				
REVISIONS			DESCRIPTION	DATE	BY
			SEE SHEET 1		



FRONT VIEW OF MIDPLANE
 (HEADER ROW AND COLUMN DESIGNATIONS SHOWN)



REAR VIEW OF MIDPLANE
 (HEADER ROW AND COLUMN DESIGNATIONS SHOWN)



MATING SCHEMATIC FOR 180° ROUTING
 (MIDPLANE NOT SHOWN FOR CLARITY)
 SCALE 3:1

REAR SIDE												
F	A18	A17	A15	A14	A12	A11	A9	A8	A6	A5	A3	A2
E	B18	B17	B15	B14	B12	B11	B9	B8	B6	B5	B3	B2
D	C18	C17	C15	C14	C12	C11	C9	C8	C6	C5	C3	C2
C	D18	D17	D15	D14	D12	D11	D9	D8	D6	D5	D3	D2
B	E18	E17	E15	E14	E12	E11	E9	E8	E6	E5	E3	E2
A	F18	F17	F15	F14	F12	F11	F9	F8	F6	F5	F3	F2
	2	3	5	6	8	9	11	12	14	15	17	18
FRONT SIDE												

SIGNAL ROUTING TABLE
 (EXAMPLE: FRONT RECEPTACLE PAIR A2-3 ROUTES TO REAR RECEPTACLE F18-17)

THIS DRAWING IS A CONTROLLED DOCUMENT.		OWN	TE Connectivity	
DIMENSIONS:		CHK	NAME	
mm	0 PLC ±	APVD	HEADER ASSEMBLY, 6 PAIR 6 COLUMN, 100 OHM PiC, STRADA WHISPER	
	1 PLC ±0.10	PRODUCT SPEC	SIZE CAGE CODE DRAWING NO	
	2 PLC ±	APPLICATION SPEC	A100779C=2227091	
	3 PLC ±	WEIGHT	RESTRICTED TO	
	4 PLC ±	FINISH	SCALE 5:1 SHEET 4 OF 4 REV A	
MATERIAL	SEE TABLE	CUSTOMER DRAWING		